

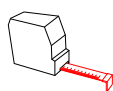


TRITON
WINDOW SYSTEM

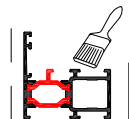
TECHNICAL
MANUAL

Deurdrempel NL		P-03-907			
Seuil de porte NL		P-03-908	NEW	23/11/2018	5.70
Threshold NL					
Fireproof					
Brandwerendheid			NEW	13/11/2018	9.64
Résistance au feu					
Buitenkader koppeling S141		P-03-A120			5.11
Dormant raccord S141		P-03-A121	NEW	22/08/2017	5.12
Outer frame connection S141					
Deurdrempel		P-03-906			
Seuil de porte		P-00-225	NEW	22/08/2017	5.69
Threshold					
Aanpassing:					
Adjustement:	P-03-A215 --> P-03-A215B	P-03-A215B	UPDATE	2/07/2017	5.26
Adjustment:					
Aanpassing:					
Adjustement:	P-03-A244 --> P-03-A244B	P-03-A244B	UPDATE	2/07/2017	5.32
Adjustment:					
Grendel					
Verrou		A-BF-115	NEW	25/04/2017	
Latch					
Inkleembaar deurscharnier naar binnendraaiend en buiten- draaiende deur					
Paumelle de porte pour ouvrant intérieur et ouvrant exté- rieur		A-BS-278	NEW	14/03/2017	
Doorhinge inside opening and outward opening					
Anti-paniek sloten en slotplaten					
Changement serrures anti-panique		ORCA - Sobinco	NEW	13/12/2016	
Modification locks anti-panic					
Verdoken ontwatering NL					
Caché écoulement d'eau			NEW	07/07/2016	
Hidden drain hole					

» LEGENDE / LÈGENDE / LEGEND



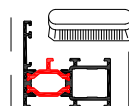
Lengte (mm)
Longueur (mm)
Length (mm)



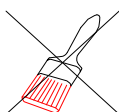
Omtrek
Périmètre
Perimeter



Kleur
Couleur
Color



Borstel-omtrek
Périmètre brossage
Perimeter of brushing



Brut
Brut
Mill finish



Pershoek
Équerre sertir
Clamping corner



Zwart
Noir
Black



Schroefhoek
Équerre à visser
Square coupling joint



Wit
Blanc
White



T-verbinding
Attacher traverse
Connection for transom



RAL
RAL
RAL



Variabele hoekverbinding
Équerre à angle variable
Adjustable connecting component



Pagina
Page
Page



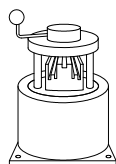
Primaire zichtzijde
Surface primaire
Primary surface



Toepassing
Application
Application



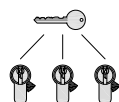
Secundaire zichtzijde
Surface secondaire
Secondary surface



Kapmatrijs
Poinçonneuse
Punch tool

AN

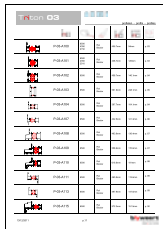
Geanodiseerd
Anodisé
Anodised



Cilinder gelijksluitend
Cylindre même fermeture
Cylinder keyed-alike

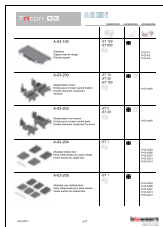
~~AN~~

Niet geanodiseerd
Pas de anodisé
not anodised



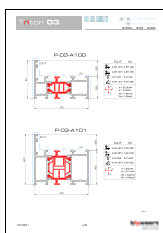
Profieloverzicht
Overview profil
Profile overview

2.1



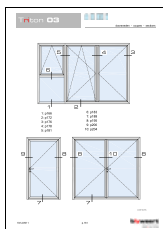
Toebehoren
Accessoires
Accessories

3.1



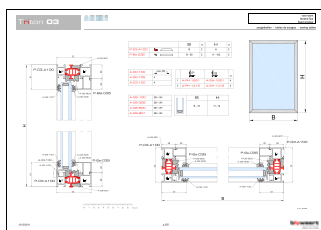
Profielen
Profils
Profiles

5.1



Doorsneden
Coupes
Section

6.1



Zaagtabellen
Tables de sciages
Sawing tables

8.1

vast raam
fenêtre fixe
fixed window

8.1

vast raam met tussenstijl
fenêtre fixe avec traverse
fixed window with mullion

8.2

kipraam
fenêtre basculante
tilt window

8.4

draaikip
fenêtre oscillo battante
tilt and turn window

8.5

tuielraam
chassis pivotants
pivoting window

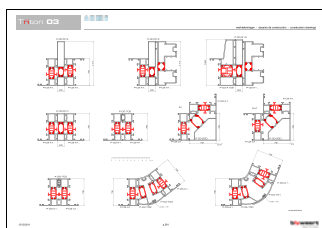
8.6

stolpraam
double ouvrant à la française
double casement window

8.7

» INHOUD / TABLE DES MATIÈRES / INDEX

	samengesteld raam fenêtre composé complex window	8.8
	enkele deur naar binnen draaiend porte simple ouvrant intérieur single door inside opening	8.9
VLAK PLAT FLAT	vlakke enkele deur naar binnen draaiend plat de porte simple ouvrant intérieur flat single door inside opening	8.10
Paneeldeur Porte de panneau Panel door	vlakke enkele deur naar binnen draaiend plat de porte simple ouvrant intérieur flat single door inside opening	8.12
	enkele deur naar buiten draaiend porte simple ouvrant extérieur single door outside opening	8.13
VLAK PLAT FLAT	vlakke enkele deur naar buiten draaiend plat de porte simple ouvrant extérieur flat single door outside opening	8.14
	dubbele deur naar binnen draaiend porte double ouvrant intérieur double door inside opening	8.16
VLAK PLAT FLAT	vlakke dubbele deur naar binnen draaiend plat de porte double ouvrant intérieur flat double door inside opening	8.17
Paneeldeur Porte de panneau Panel door	vlakke dubbele deur naar binnen draaiend plat de porte double ouvrant intérieur flat double door inside opening	8.19
	dubbele deur naar buiten draaiend porte double ouvrant extérieur double door outside opening	8.20
VLAK PLAT FLAT	vlakke dubbele deur naar buiten draaiend plat de porte double ouvrant extérieur flat double door outside opening	8.21
	automatische schuifdeur porte coulissante automatic automatic sliding door	8.23
	taatsdeur porte pivotante pivoting door	8.24



Werktekeningen Dessins de construction Construction drawings

overzicht vue d'ensemble overview	9.1
variabele hoek angle variable variable angle	9.2
pershoek équerre à sertir clamping corner	9.4
schroefhoek équerre à visser square coupling joint	9.5

	t-verbinder attacher traverse connection component for transom	9.6
	variabele schroefhoek équerre à visser variable variable square coupling joint	9.11
	stolpeindstuk raam embout maclair fenêtre double casement component window	9.12
	eindrubber verborgen afwateringsprofiel joint finale pour profile évacuation d'eau invisible Endgasket for invisible water outlet profile	9.13
	montage rolluik assemblage volet roulant assembly rolling shutter	9.14
	plaathouder porteur de plaque plate holder	9.15
	montage dorpel met assemblage bavette avec assembly windowsill with	P-03-A117 / P-03-A118 P-03-A117 / P-03-A118 P-03-A117 / P-03-A118 9.16
	tuielraam chassis pivotants pivoting window	9.17
	uitfrezing kruk wentelraam A-BS-280 fraisage poignée chassis pivotants A-BS-280 milling handle pivoting window A-BS-280	9.18
	montage waterkapje A-00-100 assemblage busette A-00-100 assembly drain hole cover A-00-100	9.19
	uitfrezing raamkruk A-BS-023 / 024 / 084 - A-BF-004 / 005 / 006 fraisage poignée A-BS-023 / 024 / 084 - A-BF-004 / 005 / 006 milling handle A-BS-023 / 024 / 084 - A-BF-004 / 005 / 006	9.23
	stolpeindstuk deur embout maclair porte double casement component door	9.24
	stolpeindstuk vlakke deur embout maclair porte plat double casement component flat door	9.25
	connectie P-03-224 - P-03-225 connection P-03-224 - P-03-225 connection P-03-224 - P-03-225	9.26
	montage deur T-profiel assemblage porte T-profiel assembly door T-profile	9.28
	eindstuk voor P-00-203 embout pour P-00-203 end component for P-00-203	9.29
	deurdrempel profielen seuil de porte door threshold	9.30
	sloten en bewerking binnendraaiende deur serrures et construction porte ouvrant interieur locks and construction door inside	9.35
Paneeldeur Porte de panneau Panel door	sloten en bewerking binnendraaiende deur serrures et construction porte ouvrant interieur locks and construction door inside	9.40
	sloten en bewerking buitendraaiende deur serrures et construction porte ouvrant exterieur locks and construction door outside	9.42

» INHOUD / TABLE DES MATIÈRES / INDEX

VLAK PLAT FLAT	sloten en bewerking vlakke binnendraaiende deur serrures et construction porte plat interieur locks and construction flat door inside	9.47
VLAK PLAT FLAT	sloten en bewerking vlakke buitendraaiende deur serrures et construction porte plat exterieur locks and construction flat door outside	9.49
	taatsdeur porte pivotante pivoting door	9.60
	Espagnoletslot Verrous à lever Flush Bolt	9.57
	Triton brandwerend Triton l'épreuve du feu Triton fire proof	9.64



Uf = 2.43 W/(m².K)

Uf = 1.71 W/(m².K)

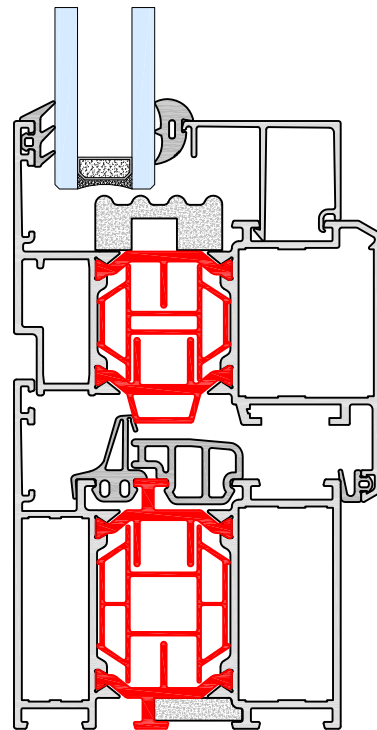
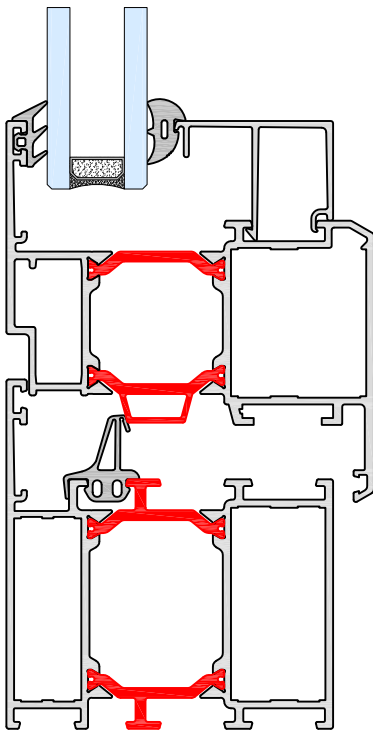


Triton


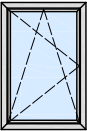
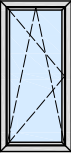
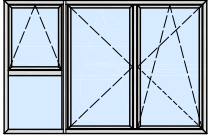
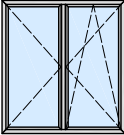
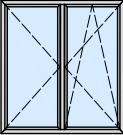










Triton HI

P-03-201
P-03-102
Polyamide

P-03-A201
P-03-A102
ABS + spidertechnology



Performances Triton system

 080806 Technical agreement		 1230mm x 1480mm	 1200mm x 2325mm	 2640mm x 2200mm	 2000mm x 2200mm	 2000mm x 2200mm
		BF	BS	BS	BR	BW
AIR PERMEABILITY EN 12207		class 4	class 4	class 4	class 4	class 4
WATER THIGHTNESS EN 12208		E2000A	E1600A	E750A	8A	E1500
WIND RESISTANCE EN 12211		C4	C4	C3	C3	C3
OPERATION FORCE EN 13115 / EN 12046-1		class 1	class 1	class 1	class 1	class 1
WRONG USE EN 13115		class 4	class 4	class 4	class 4	class 4
IMPACT EN 13049		class 5	-	class 3	class 3	class 3
REPORT		CAR 8246 12/12/2008	CAR 8246 10/12/2008	CAR 8246 18/12/2008	CAR 13297 27/11/2013	CAR 18234 03/10/2018
BURGLARY PROOF NEN 5096/A1 / ENV 1627		class 2	-	-	-	-
REPORT		 ATT 09.11.295.02 system certificate				



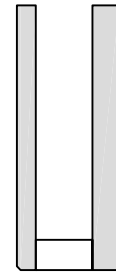
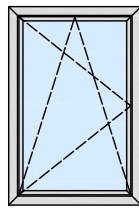
ACOUSTIC
PERFORMANCE
EN ISO 10140-2 / EN ISO 717-1



REPORT



$R_W (C;C_{tr})$

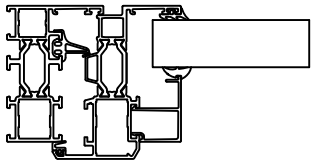


$R_W (C;C_{tr})$

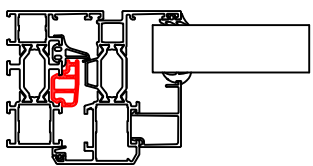
<p>40 (-2;-6) dB</p> <p>AC 4765 bis 04/11/2008</p>	<p>1230mm x 1480mm</p>	<p>40 (-2;-5) dB</p>
<p>45 (-1;-4) dB</p> <p>AC 7714 28/09/2017</p>	<p>1230mm x 1480mm</p>	<p>52 (-1;-5) dB</p>
<p>38 (-1;-5) dB</p> <p>AC 7715 28/09/2017</p>	<p>1230mm x 1480mm</p>	<p>38 (-2;-5) dB</p>
<p>43 (-1;-4) dB</p> <p>AC 7716 28/09/2017</p>	<p>1230mm x 1480mm</p>	<p>46 (-2;-5) dB</p>

Triton system

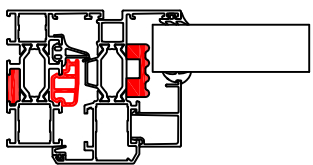
P-03-...



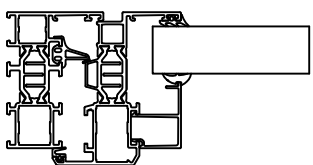
$U_f = 2.64 \text{ W/(m}^2\text{.K)}$



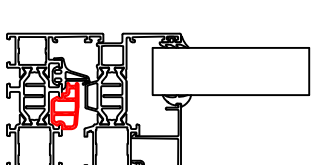
$U_f = 2.57 \text{ W/(m}^2\text{.K)}$



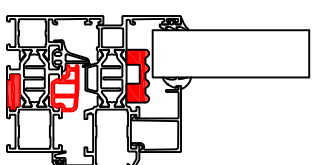
$U_f = 2.27 \text{ W/(m}^2\text{.K)}$



$U_f = 2.17 \text{ W/(m}^2\text{.K)}$



$U_f = 2.06 \text{ W/(m}^2\text{.K)}$



$U_f = 1.75 \text{ W/(m}^2\text{.K)}$

P-03-A...

$U_f = 2.64 \text{ W/(m}^2\text{.K)}$

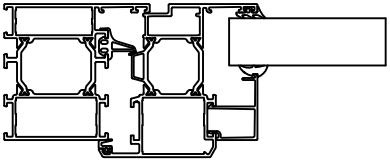
$U_f = 1.75 \text{ W/(m}^2\text{.K)}$

Triton

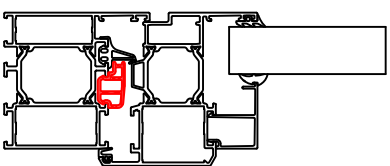
Triton HI

P-03-...

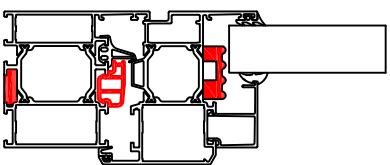
P-03-A...



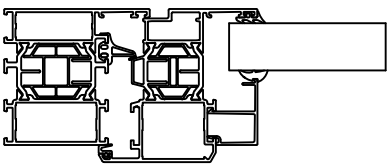
$U_f = 2.43 \text{ W/(m}^2\text{.K)}$



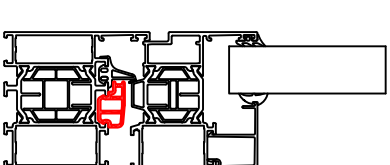
$U_f = 2.36 \text{ W/(m}^2\text{.K)}$



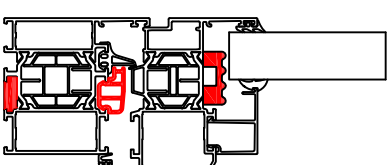
$U_f = 2.17 \text{ W/(m}^2\text{.K)}$



$U_f = 1.99 \text{ W/(m}^2\text{.K)}$



$U_f = 1.90 \text{ W/(m}^2\text{.K)}$



$U_f = 1.71 \text{ W/(m}^2\text{.K)}$

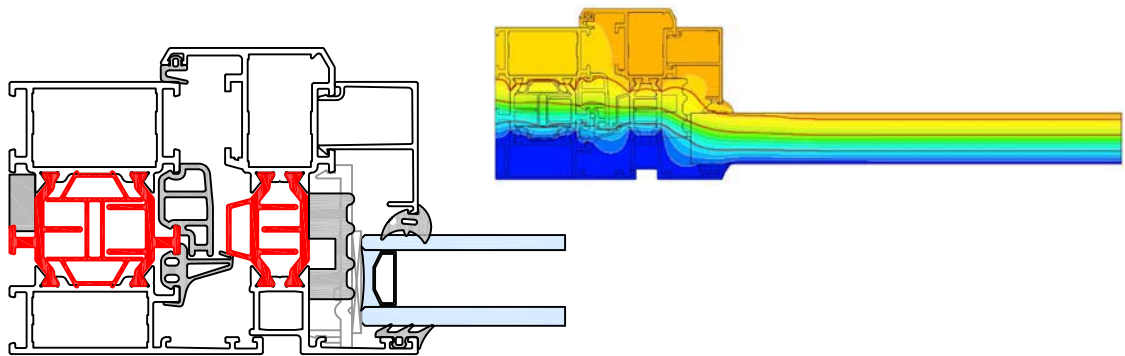
$U_f = 2.43 \text{ W/(m}^2\text{.K)}$

$U_f = 1.71 \text{ W/(m}^2\text{.K)}$

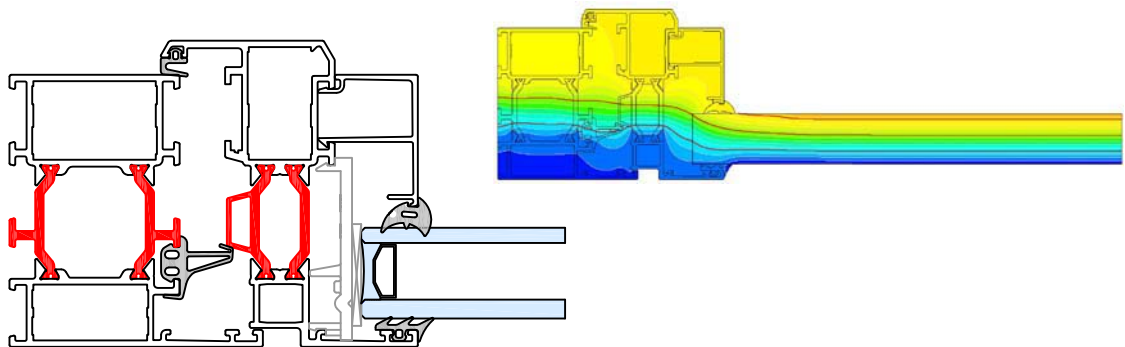




Uf values Triton system



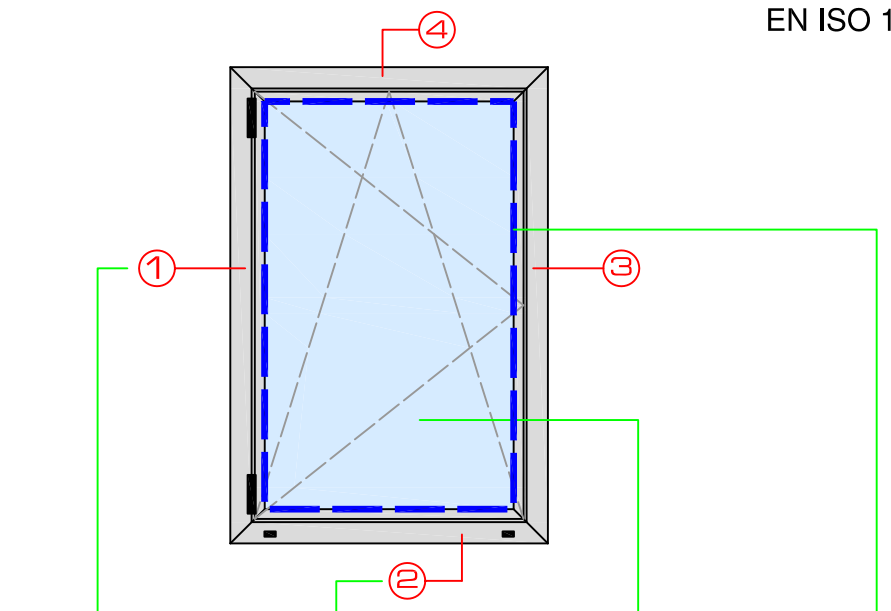
Triton HI				
	-	P-03-A200 P-03-A210	P-03-A201 P-03-A211	P-03-A202 P-03-A212
P-03-A100	1.50 W/m ² K	1.75 W/m ² K	1.73 W/m ² K	1.72 W/m ² K
P-03-A101	1.52 W/m ² K	1.73 W/m ² K	1.71 W/m ² K	1.71 W/m ² K
P-03-A102	1.53 W/m ² K	1.72 W/m ² K	1.71 W/m ² K	1.70 W/m ² K



Triton						
	-	P-03-200	P-03-210	P-03-201	P-03-211	P-03-202 P-03-212
P-03-100	2.55 W/m ² K	2.64 W/m ² K		2.54 W/m ² K		2.49 W/m ² K
P-03-101	2.39 W/m ² K	2.54 W/m ² K		2.47 W/m ² K		2.43 W/m ² K
P-03-102	2.33 W/m ² K	2.49 W/m ² K		2.43 W/m ² K		2.40 W/m ² K

Uw calculation Triton system

EN ISO 10077-1
EN ISO 10077-2

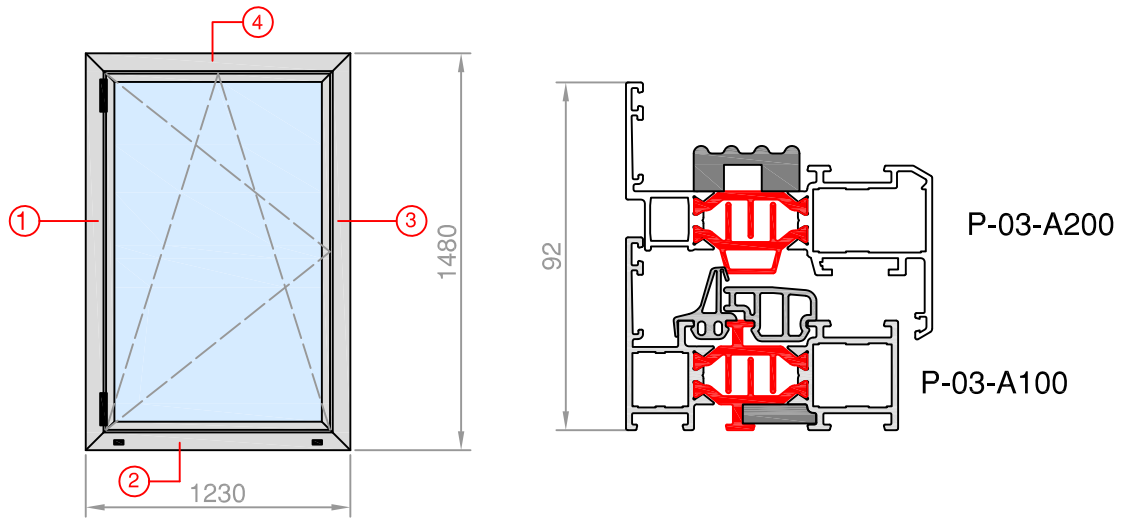


$$U_w = \frac{U_{f1} * A_1 + U_{f2} * A_2 + \dots + U_g * A_g + \psi * L_g}{A_{tot}}$$

U_w = U value window
 U_f = U value profile
 U_g = U value glass
 A_1, A_2, A_3, A_4 = area profile
 A_{tot} = total window area
 A_g = glass area
 L_g = length of glass edge
 ψ = glass edge factor --> 0.11 standard



Example Uw calculation



$$U_{f1} = U_{f2} = U_{f3} = U_{f4} = 1.75 \text{ W/m}^2\text{K}$$

$$U_g = 1.1 \text{ W/m}^2\text{K}$$

$$\psi = 0.11 \text{ W/mK (standard)}$$

$$A_1 = A_3$$

$$= 0.127 \text{ m}^2$$

$$A_2 = A_4$$

$$= 0.105 \text{ m}^2$$

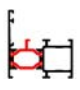
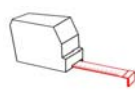

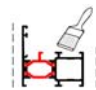
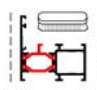

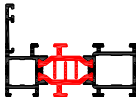
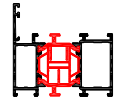
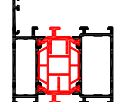
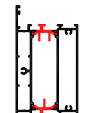
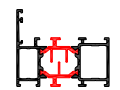
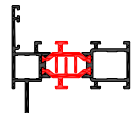
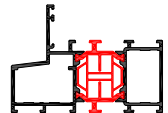
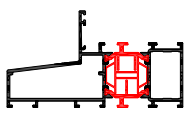
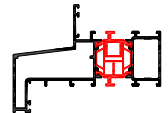
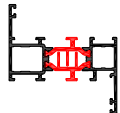
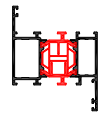
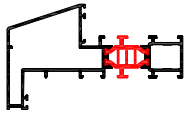
$$A_g = 1.35 \text{ m}^2$$

$$L_g = 4.68 \text{ m}$$

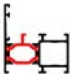
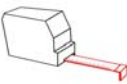

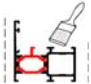
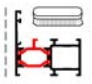

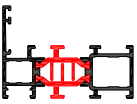
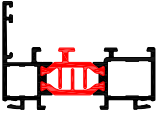
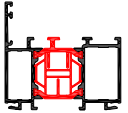
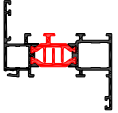
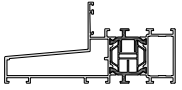
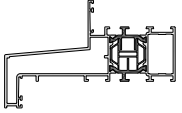

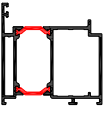
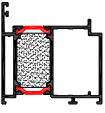
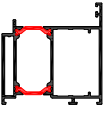
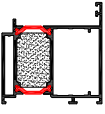
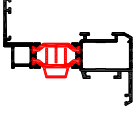
$$A_{tot} = 1.82 \text{ m}^2$$

$$U_w = \frac{1.75 \cdot 0.105 + 1.75 \cdot 0.127 + 1.75 \cdot 0.105 + 1.75 \cdot 0.127 + 1.1 \cdot 1.35 + 0.11 \cdot 4.68}{1.82}$$


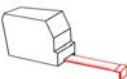

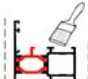
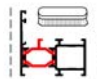

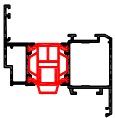
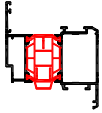
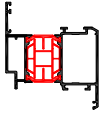
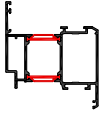
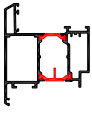
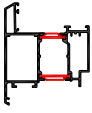
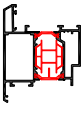
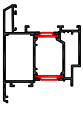
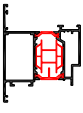
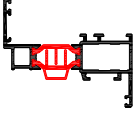
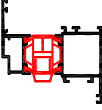
$$U_w = 1.55 \text{ W/m}^2\text{K}$$

						
	P-03-A100	6500 4350 2150	Ral Bicolor	406.7mm	94mm	5.1
	P-03-A101	6500 4350 2150	Ral Bicolor	438.7mm	126mm	5.1
	P-03-A102	6500	Ral Bicolor	458.7mm	146.1mm	5.2
	P-03-A103	6500	Ral Bicolor	561.9mm	248.1mm	5.3
	P-03-A104	6500	Ral Bicolor	397.7mm	104.1mm	5.2
	P-03-A107	6500	Ral Bicolor	432.5mm	121.3mm	5.4
	P-03-A108	6500	Ral Bicolor	493.9mm	136.4mm	5.5
	P-03-A109	6500	Ral Bicolor	558.6mm	170.6mm	5.5
	P-03-A110	6500	Ral Bicolor	616.6mm	191mm	5.6
	P-03-A111	6500	Ral Bicolor	465.9mm	115.6mm	5.7
	P-03-A113	6500	Ral Bicolor	497.9mm	147.6mm	5.7
	P-03-A115	6500	Ral Bicolor	572.3mm	151.5mm	5.8

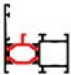
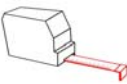
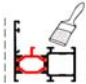
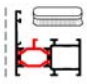

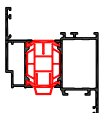
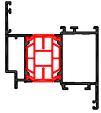
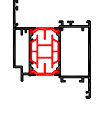
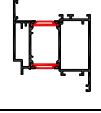
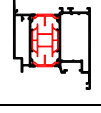
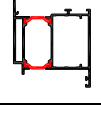
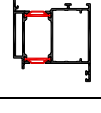
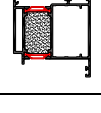
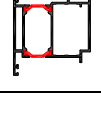
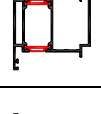
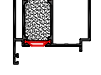
► PROFIELEN / PROFILS / PROFILE

						
	P-03-A116	6500	Ral Bicolor	416mm	93.3mm	5.35
	P-03-A117	6500	Ral Bicolor	425.6mm	77.4mm	5.9
	P-03-A118	6500	Ral Bicolor	457.6mm	112.5mm	5.9
	P-03-A119	6500	Ral Bicolor	477.2mm	109.4mm	5.10
	P-03-A120	6500	Ral Bicolor	596mm	180mm	5.11
	P-03-A121	6500	Ral Bicolor	654mm	202mm	5.12
	P-03-A123	6500	Ral Bicolor	561.9mm	248.1mm	5.13
	P-03-124R2	7000	Ral Bicolor Brut	358.2mm	146.2mm	5.14
	P-03-M124R2	7000	Ral Bicolor	358.2mm	146.2mm	5.14
	P-03-125R2	7000	Ral Bicolor Brut	349.1mm	146.2mm	5.14
	P-03-M125R2	7000	Ral Bicolor	349.1mm	146.2mm	5.14
	P-03-A200	6500 4350 2150	Ral Bicolor	397.2mm	114.6mm	5.16


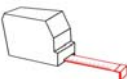

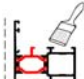
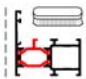

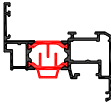
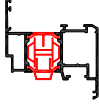
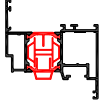
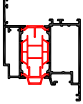
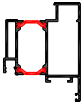
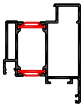

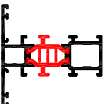
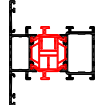
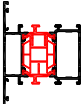
➤ PROFIELEN / PROFILS / PROFILE

						
	P-03-A201	6500 4350 2150	Ral Bicolor	429.5mm	146.6mm	5.16
	P-03-A202	6500	Ral Bicolor	449.6mm	166.6mm	5.17
	P-03-A203	6500 4350 2150	Ral Bicolor	460.8mm	175.7mm	5.18
	P-03-B203	6500	Ral Bicolor	460.8mm	175.7mm	5.18
	P-03-A205	6500 4350 2150	Ral Bicolor	460.1mm	176.9mm	5.19
	P-03-B205	6500	Ral Bicolor	460.1mm	176.9mm	5.20
	P-03-A206	6500 4350 2150	Ral Bicolor	486.2mm	204.7mm	5.19
	P-03-B206	6500	Ral Bicolor	486.2mm	204.7mm	5.20
	P-03-A207	6500 4350 2150	Ral Bicolor	475mm	181.8mm	5.21
	P-03-B207	6500	Ral Bicolor	475mm	181.8mm	5.21
	P-03-A210	6500 4350 2150	Ral Bicolor	415.2mm	108.9mm	5.22
	P-03-A211	6500 4350 2150	Ral Bicolor	447.5mm	140.9mm	5.22

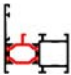
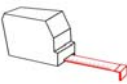

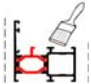
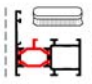

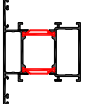


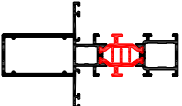
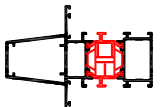
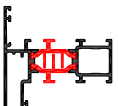
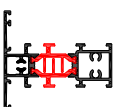
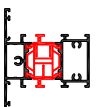
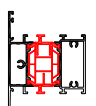
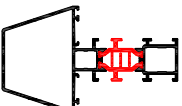
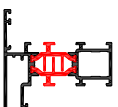
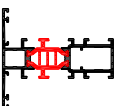
► PROFIELEN / PROFILS / PROFILE

						
	P-03-A212	6500	Ral Bicolor	458mm	160.9mm	5.23
	P-03-A213	6500	Ral Bicolor	469.2mm	236.9mm	5.24
	P-03-B213	6500	Ral Bicolor	469.2mm	236.9mm	5.24
	P-03-A214	6500 4350 2150	Ral Bicolor	487.5mm	204.3mm	5.24
	P-03-B214	6500	Ral Bicolor	487.5mm	204.3mm	5.24
	P-03-A215B	6500	Ral Bicolor	508.4mm	198mm	5.26
	P-03-224R2	7000	Ral Bicolor Brut	414.4mm	171.7mm	5.27
	P-03-B224R2	7000	Ral Bicolor Brut	414.4mm	171.7mm	5.28
	P-03-M224R2	7000	Ral Bicolor	414.4mm	171.7mm	5.28
	P-03-225R2	7000	Ral Bicolor Brut	423.5mm	171.7mm	5.27
	P-03-B225R2	7000	Ral Bicolor Brut	423.5mm	171.7mm	5.28
	P-03-M225R2	7000	Ral Bicolor	423.5mm	171.7mm	5.28

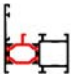
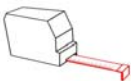

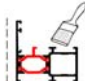
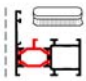

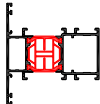
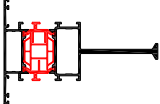
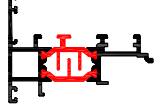
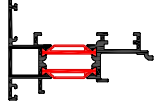
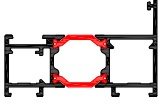
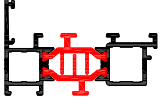
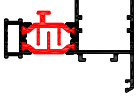
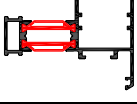
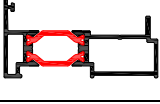
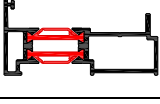
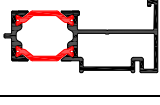
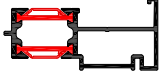
➤ PROFIELEN / PROFILS / PROFILE

						
	P-03-A230B	6500	Ral Bicolor	420.9mm	123.5mm	5.30
	P-03-A231B	6500	Ral Bicolor	447.5mm	150.5mm	5.30
	P-03-A240B	6500 3250	Ral Bicolor	438.9mm	115mm	5.31
	P-03-A241B	6500 3250	Ral Bicolor	465.5mm	141.8mm	5.31
	P-03-A244B	6500 3250	Ral Bicolor	497.4mm	189.1mm	5.32
	P-03-260	7000	Ral Bicolor Brut	380.6mm	115.4mm	5.33
	P-03-B260	7000	Ral Bicolor Brut	380.6mm	115.4mm	5.33
	P-03-261	7000	Ral Brut	66.3mm	13.4mm	5.33
	P-03-262	7000	Ral Brut	144.2mm	12.2mm	5.33
	P-03-A300	6500 4350 2150	Ral Bicolor	478.7mm	118mm	5.35
	P-03-A301	6500 4350 2150	Ral Bicolor	510.7mm	150mm	5.36
	P-03-A302	6500	Ral Bicolor	530.7mm	170mm	5.36

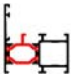
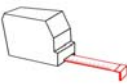

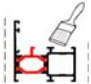
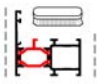

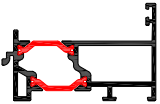
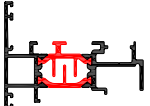
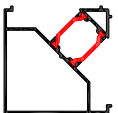
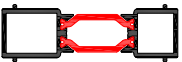
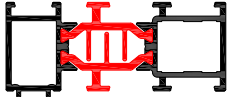
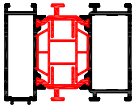
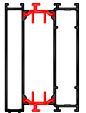


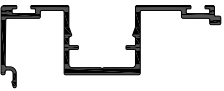
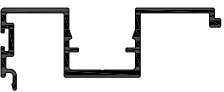

► PROFIELEN / PROFILS / PROFILE

						
	P-03-B302	6500	Ral Bicolor	530.7mm	170mm	5.37
	P-03-A303	6500 2150	Ral Bicolor	586.8mm	272mm	5.38
	P-03-A304	6500 2150	Ral Bicolor	732.7mm	372mm	5.39
	P-03-A305	6500	Ral Bicolor	575.9mm	214.7mm	5.40
	P-03-A306	6500	Ral Bicolor	596.9mm	235.7mm	5.41
	P-03-A309	6500	Ral Bicolor	434.9mm	112.2mm	5.42
	P-03-A310	6500	Ral Bicolor	478.7mm	118mm	5.43
	P-03-A311	6500	Ral Bicolor	510.7mm	134mm	5.43
	P-03-A312	6500	Ral Bicolor	530.8mm	170mm	5.44
	P-03-A315	6500	Ral Bicolor	548.1mm	187.4mm	5.45
	P-03-A319	6500	Ral Bicolor	490.1mm	157.7mm	5.42
	P-03-A320	6500	Ral Bicolor	513.2mm	118mm	5.46

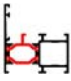
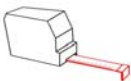

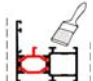
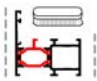



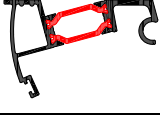
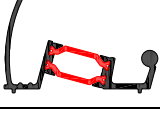
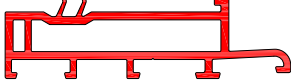
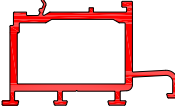
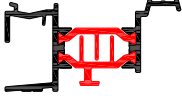
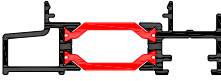
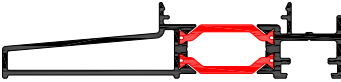
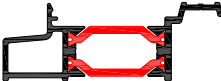

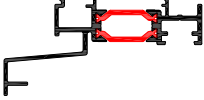
➤ PROFIELEN / PROFILS / PROFILE

						
	P-03-A321	6500	Ral Bicolor	501.2mm	147.7mm	5.46
	P-03-A332	6500	Ral Bicolor	693.7mm	323.9mm	5.47
	P-03-A400	6500 3250	Ral Bicolor	436.3mm	85mm	5.48
	P-03-B400	6500	Ral Bicolor	436.3mm	85mm	5.48
	P-03-403	6500	Ral Bicolor Brut	314.5mm	92.9mm	5.50
	P-03-A404	6500	Ral Bicolor	383.4mm	65mm	5.50
	P-03-A405	6500	Ral Bicolor	333mm	116.9mm	5.49
	P-03-B405	6500	Ral Bicolor Brut	333mm	116.9mm	5.49
	P-03-424	6500	Ral Bicolor Brut	257.1mm	86.1mm	5.51
	P-03-B424	6500	Ral Bicolor Brut	257.1mm	86.1mm	5.51
	P-03-425	6500	Ral Bicolor Brut	256.5mm	94.8mm	5.51
	P-03-B425	6500	Ral Bicolor Brut	256.5mm	94.8mm	5.51

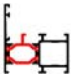
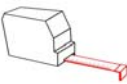

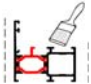
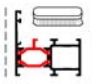

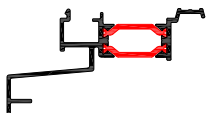


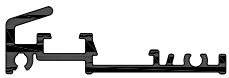



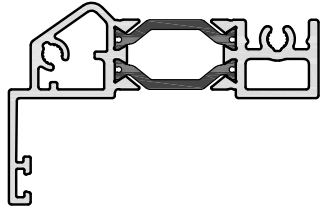
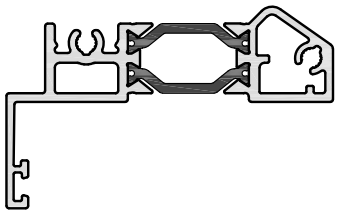

► PROFIELEN / PROFILS / PROFILE

						
	P-03-426R2	7000	Ral Bicolor Brut	292.6mm	61.5mm	5.52
	P-03-A430B	6500 3250	Ral Bicolor	466.8mm	82.1mm	5.34
	P-03-500	6500	Ral Bicolor Brut	417.4mm	163.6mm	5.53
	P-03-510	6500	Ral Bicolor Brut	221.6mm	52.8mm	5.53
	P-03-A514	6500 3250	Ral Bicolor	285.8mm	72.9mm	5.54
	P-03-A515	6500 3250	Ral Bicolor	381.9mm	119.8mm	5.54
	P-03-A516	6500 3250	Ral Bicolor	439.9mm	226.3mm	5.55
	P-03-530	6500	Ral Brut	247.7mm	119.1mm	5.53
	P-03-535	7000	Ral Brut	141.3mm	66.1mm	5.52
	P-03-550	6500	Ral Brut	314mm	88.8mm	5.56
	P-03-551	6500	Ral Brut	308.9mm	78.8mm	5.56
	P-03-555	6500	Ral Brut	178.9mm	24.9mm	5.56

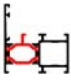
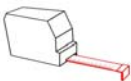

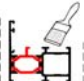
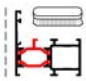













➤ PROFIELEN / PROFILS / PROFILE

						
	P-03-700	6500	Ral Bicolor Brut	376.1mm	99.11mm	5.57
	P-03-701	6500	Ral Bicolor Brut	409.6mm	103.9mm	5.57
	P-03-702	6500	Ral Bicolor Brut	336.6mm	73.7mm	5.57
	P-03-703	6500	Ral Bicolor Brut	352.7mm	76.1mm	5.57
	P-03-715	6500	PVC	-	-	5.58
	P-03-716	6500	PVC	-	-	5.58
	P-03-A720	6500	Ral Bicolor Brut	319.8mm	131.3mm	5.59
	P-03-723	6500	Ral Bicolor Brut	269.5mm	61.7mm	5.60
	P-03-724	6500	Ral Bicolor Brut	338.5mm	94.7mm	5.60
	P-03-725	6500	Ral Bicolor Brut	202.9mm	80.8mm	5.61
	P-03-726	6500	Ral Bicolor Brut	271.9mm	113.8mm	5.61
	P-03-727	6500	Ral Bicolor Brut	456.6mm	245.1mm	5.62

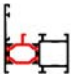
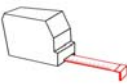

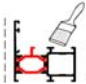
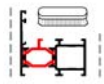


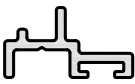





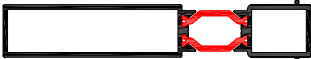
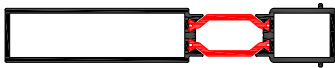



➤ PROFIELEN / PROFILS / PROFILE

						
	P-03-728	6500	Ral Bicolor Brut	390mm	236.5mm	5.62
	P-03-901	6500	Ral Brut	267.9mm	73.4mm	5.67
	P-03-902	6500	Ral Brut	217.7mm	115.5mm	5.67
	P-03-903	6500	AN	267.1mm	32.7mm	5.63
	P-03-904	6500	AN	181.2mm	76.8mm	5.63
	P-03-905	6500	AN	224.3mm	60mm	5.68
	P-03-906	6500	AN	234.3mm	60mm	5.69
	P-03-907	6500	AN	254mm	98.6mm	5.70
	P-03-908	6500	AN	261mm	102mm	5.70
	P-02-721	6500	Ral Brut	213.2mm	57.2mm	5.59

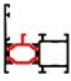
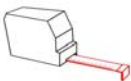

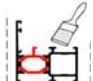
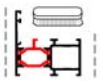







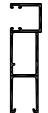
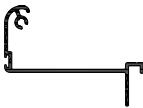



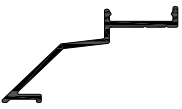
➤ PROFIELEN / PROFILS / PROFILE

						
	P-02-722	6500	Ral Brut	199.7mm	66.3mm	5.59
	P-00-100	6500	Ral Brut	165.9mm	37.8mm	5.64
	P-00-101	6500	Ral Brut	165.9mm	37.8mm	5.64
	P-00-105	6500	Ral Brut	62.2mm	19.6mm	5.64
	P-00-106	6500	Ral Brut	109.6mm	24.4mm	5.64
	P-00-203	6500	Ral Brut	165.9mm	34.9mm	5.65
	P-00-205	6500	Ral Brut	79.5mm	16.7mm	5.67
	P-00-206	6500	Ral Brut	114.7mm	26.6mm	5.67
	P-00-207	6500	Ral Brut	123.6mm	31.3mm	5.65
	P-00-208	6500	Ral Brut	151.7mm	30.8mm	5.65
	P-00-215	6500	Brut	123.3mm	-	5.68
	P-00-216	6500	Brut	54.5mm	-	5.68

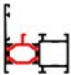
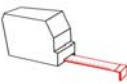

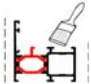
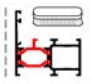













► PROFIELEN / PROFILS / PROFILE

							
	P-00-217		6500	Ral Brut	101mm	6,6mm	5.68
	P-00-225		6500	Ral Brut	85,2mm	6,7mm	5.69
	P-00-300		6500	Ral Brut	87.5mm	52.3mm	5.66
	P-00-302		6500	Ral Brut	308.1mm	117.4mm	5.66
	P-00-303		6500	Ral Brut	251.7mm	97.5mm	5.66
	P-00-500		7000	Ral Brut	86.8mm	21.9mm	5.67
	P-00-501		6500	AN	46mm	14.73mm	5.67
	P-00-512		6500	Ral Bicolor Brut	285mm	231mm	5.71
	P-00-513		6500	Ral Bicolor Brut	295mm	231mm	5.71
	P-00-515		6500	Ral Brut	270mm	171.6mm	5.71
	P-00-601		6500	AN	51.7mm	22.5mm	5.72
	P-00-602		6500	AN	45.1mm	17.1mm	5.72

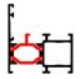
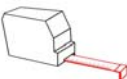

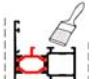
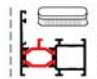







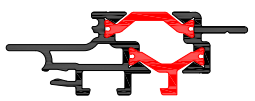

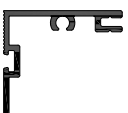
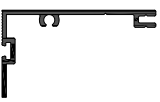


➤ PROFIELEN / PROFILS / PROFILE

						
	P-00-610	6500	Ral Brut	55.5mm	28.6mm	5.72
	P-00-700	6500	Brut	-	-	5.72
	P-00-702	6500	Ral Brut	104.1mm	31.6mm	5.72
	P-00-703	6500	Ral Brut	334.2mm	130.9mm	5.73
	P-00-704	6500	Ral Brut	327.8mm	137mm	5.73
	P-00-705	6500	Ral Brut	273.3mm	107.4mm	5.73
	P-00-706	6500	Ral Brut	407.8mm	196.1mm	5.73
	P-00-707	6500	Ral Brut	369.4mm	146.7mm	5.73
	P-00-710	6500	Ral Brut	220mm	48.6mm	5.72
	P-00-711	6500	Ral Brut	208.7mm	42.7mm	5.72
	P-00-718	6500	Ral Brut	224.6mm	73.7mm	5.74
	P-00-719	6500	Ral Brut	165.7mm	48.4mm	5.74

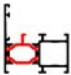
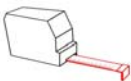

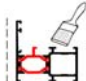
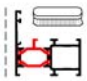












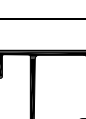
➤ PROFIELEN / PROFILS / PROFILE

						
	P-00-720	6500	Ral Brut	204.8mm	83.9mm	5.77
	P-00-721	6500	Ral Brut	287mm	138.5mm	5.77
	P-00-722	6500	Ral Brut	345.9mm	168.6mm	5.77
	P-00-723	6500	Ral Brut	06.1mm	198.7mm	5.78
	P-00-724	6500	Ral Brut	466.3mm	228.8mm	5.78
	P-00-725	6500	Ral Brut	526.5mm	258.9mm	5.79
	P-00-726	6500	Ral Brut	586.8mm	289.1mm	5.79
	P-00-730	6500	Ral Brut	158.5mm	76.2mm	5.75
	P-00-738	6500	Ral Brut	288.7mm	93.2mm	5.74
	P-31-760	6500	Ral Brut	240mm	87mm	5.80
	P-31-761	6500	Ral Brut	300mm	117mm	5.80
	P-31-762	6500	Ral Brut	359mm	147mm	5.80

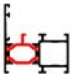
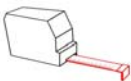

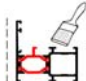
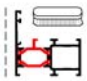

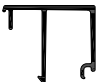


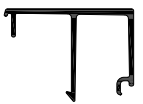
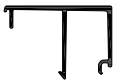
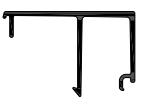


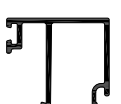
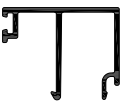


➤ PROFIELEN / PROFILS / PROFILE

						
	P-31-763	6500	Ral Brut	420mm	177mm	5.80
	P-31-764	6500	Ral Brut	257mm	128mm	5.80
	P-31-770	6500	Ral Brut	206mm	47mm	5.81
	P-31-771	6500	Ral Brut	246mm	64mm	5.81
	P-31-772	6500	Ral Brut	286mm	87mm	5.81
	P-31-773	6500	Ral Brut	326mm	107mm	5.81
	P-31-775	6500	Ral Bicolor Brut	210.1mm	-	5.81
	P-31-780	6500	Ral Brut	121.8mm	12.5mm	5.82
	P-31-781	6500	Ral Brut	177.9mm	32.5mm	5.82
	P-31-782	6500	Ral Brut	218.1mm	52.5mm	5.82
	P-31-783	6500	Ral Brut	258.1mm	72.5mm	5.82
	P-31-784	6500	Ral Brut	298.1mm	92.5mm	5.82

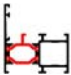
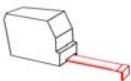

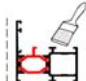
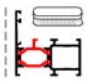










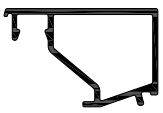
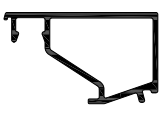
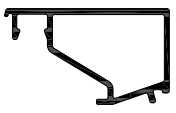
► PROFIELEN / PROFILS / PROFILE

						
	P-31-801	6500	Ral Brut	76mm	32mm	5.82
	P-6s-003	6500	Ral Brut	89.1mm	27.3mm	5.83
	P-6s-007	6500	Ral Brut	108mm	31.3mm	5.83
	P-6s-011	6500	Ral Brut	118.1mm	35.3mm	5.83
	P-6s-013	6500	Ral Brut	122.8mm	37.3mm	5.83
	P-6s-015	6500	Ral Brut	145.3mm	39.3mm	5.83
	P-6s-019	6500	Ral Brut	149.7mm	43.3mm	5.83
	P-6s-021	6500	Ral Brut	150.3mm	45.3mm	5.83
	P-6s-023	6500	Ral Brut	159.3mm	47.3mm	5.83
	P-6s-025	6500	Ral Brut	169.8mm	47.3mm	5.83
	P-6s-027	6500	Ral Brut	177.8mm	51.3mm	5.83
	P-6s-029	6500	Ral Brut	178.1mm	53.3mm	5.83

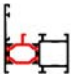
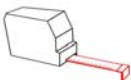

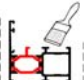
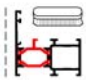



➤ PROFIELEN / PROFILS / PROFILE



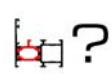




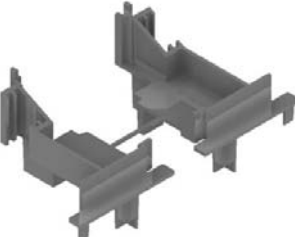

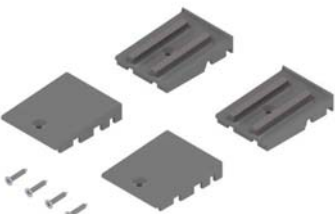



						
	P-6s-031	6500	Ral Brut	185.7mm	55.3mm	5.83
	P-6s-033	6500	Ral Brut	186.1mm	57.3mm	5.84
	P-6s-035	6500	Ral Brut	193.8mm	59.3mm	5.84
	P-6s-037	6500	Ral Brut	193.4mm	61.3mm	5.84
	P-6s-039	6500	Ral Brut	197.7mm	63.3mm	5.84
	P-6s-041	6500	Ral Brut	201.4mm	65.3mm	5.84
	P-6s-043	6500	Ral Brut	205.4mm	67.3mm	5.84
	P-6s-045	6500	Ral Brut	209.6mm	69.3mm	5.84
	P-6s-J29	6500	Ral Brut	195mm	51.4mm	5.85
	P-6s-J33	6500	Ral Brut	203mm	55.4mm	5.85
	P-6b-015	6500	Ral Brut	92.3mm	39.9mm	5.86
	P-6b-019	6500	Ral Brut	95.8mm	43.9mm	5.86

► PROFIELEN / PROFILS / PROFILE



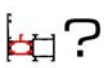
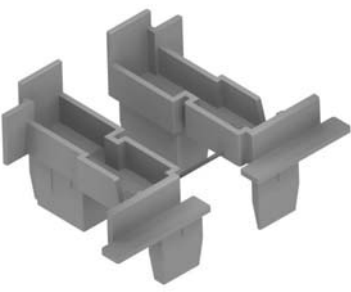

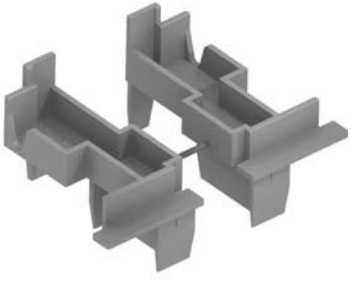

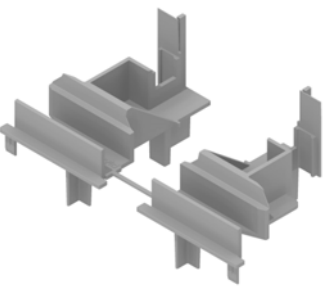



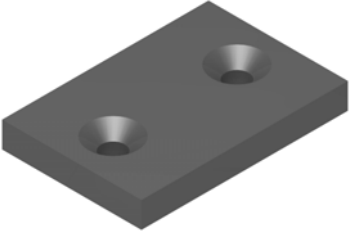

						
	P-6b-021	6500	Ral Brut	98.1mm	45.9mm	5.86
	P-6b-023	6500	Ral Brut	123.3mm	47.9mm	5.86
	P-6b-025	6500	Ral Brut	124.7mm	49.9mm	5.86
	P-6b-027	6500	Ral Brut	126.7mm	51.9mm	5.86
	P-6b-029	6500	Ral Brut	128.7mm	53.9mm	5.87
	P-6b-031	6500	Ral Brut	131.1mm	55.9mm	5.87
	P-6b-033	6500	Ral Brut	134.2mm	57.9mm	5.87
	P-6b-035	6500	Ral Brut	137mm	59.9mm	5.87
	P-6b-037	6500	Ral Brut	141mm	61.9mm	5.87
	P-6b-039	6500	Ral Brut	143.8mm	63.9mm	5.88
	P-6b-042	6500	Ral Brut	149.2mm	66.9mm	5.88
	P-6b-043	6500	Ral Brut	151mm	67.9mm	5.88



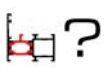








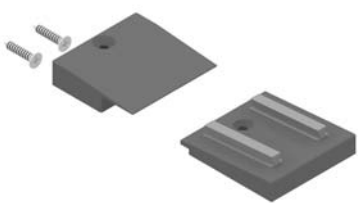

➤ PROFIELEN / PROFILS / PROFILE

						
	P-6b-045	6500	Ral Brut	154.8mm	69.9mm	5.88
	P-6b-048	6500	Ral Brut	160.5mm	72.9mm	5.88


				
	A-03-100 Glassteun Support cale de vitrage Glazing support	-ST 100 -ST 800 	●	P-03-A1.. P-03-A2.. P-03-A3..
	A-03-200 Stolpeindstuk ramen Embout pour montant central fenêtre Double-casement component windows	-ST 10 -ST 150 	● ○	P-03-A400
	A-03-203 Stolpeindstuk voor deuren Embout pour montant central porte Double-casement component for doors	-ST 5 	● ○	P-03-A400
	A-03-204 Afsluitset enkele deur Piece d'etancheite pour porte simple Closer section for single door	-ST 1 	●	P-03-A203 P-03-A206 P-03-A207 P-03-A213 P-03-A214
	A-03-205 Afsluitset voor dubbele deur Piece d'etancheite pour porte double Closer section for double door	-ST 1 	●	P-03-A203 P-03-A206 P-03-A207 P-03-A213 P-03-A214

➤ TOEBEHOREN / ACCESSOIRES / ACCESSORY

				
	<p>A-03-224</p> <p>Stolpeindstuk voor P-03-424 Embout maclair pour P-03-424 Sealing double casement for P-03-424</p>	-ST 10 	● ○	P-03-424
	<p>A-03-225</p> <p>Stolpeindstuk voor P-03-425 Embout maclair pour P-03-425 Sealing double casement for P-03-425</p>	-ST 10 	● ○	P-03-425
	<p>A-03-230B</p> <p>Stolpeindstuk voor raam Embout maclair pour fenêtre Sealing double casement prof for window</p>	-ST 5 	● ○	P-03-A430B
	<p>A-03-241</p> <p>Hulpstuk elektrische slotplaat Accessoire gache électrique Accessory electric lockplate</p>	-ST 1 	●	P-03-425
	<p>A-03-242R2</p> <p>Hulpstuk passeren dagschieter Accessoire laisser passer pêne lançant Accessory let through latch bolt</p> <p>R2</p>	-ST 1 	●	P-03-125R2 P-03-224R2

			
 <p>A-03-249L</p> <p>Afsluitset taatsdeur Links Piece d'etancheite pour porte pivotant Gauche Closer section for pivotdoor Left</p>	-ST 1 	●	
 <p>A-03-249R</p> <p>Afsluitset taatsdeur Rechts Piece d'etancheite pour porte pivotant Droite Closer section for pivotdoor Right</p>	-ST 1 	●	
 <p>A-03-260</p> <p>Afsluitset vlakke deuren R2 Set d'étanchéité porte plane R2 Closer section flat doors R2</p>	-ST 1 	●	
 <p>A-03-261</p> <p>Afsluitset vlakke deuren R2 - P-03-424 Set d'étanchéité porte plane R2- P-03-424 Closer section flat doors R2 - P-03-242</p>	-ST 1 	●	P-03-424
 <p>A-03-262</p> <p>Afsluitset vlakke deuren R2 - P-03-425 Set d'étanchéité porte plane R2- P-03-425 Closer section flat doors R2 - P-03-245</p>	-ST 1 	●	P-03-425
























► TOEBEHOREN / ACCESSOIRES / ACCESSORY

				
	<p>A-03-300</p> <p>Afdichting voor T-profiel Pièce d'étanchéité pour traverse Sealing for transom-mullion</p> <p>29 mm</p>	-ST 50 	●	P-03-A1.. P-03-A3..
	<p>A-03-301</p> <p>Afdichting voor T-profiel Pièce d'étanchéité pour traverse Sealing for transom-mullion</p> <p>45 mm</p>	-ST 50 	●	P-03-A1.. P-03-A3..
	<p>A-03-302</p> <p>Afdichting voor T-profiel Pièce d'étanchéité pour traverse Sealing for transom-mullion</p> <p>55 mm</p>	-ST 50 	●	P-03-A1.. P-03-A3..
	<p>A-03-500</p> <p>Clip vaste ramen FP Clip fenêtres fixes FP Clip fixed windows FP</p>	-ST 50 		
	<p>A-03-501</p> <p>Glashouder universeel FP Fixing plate for glass FP Fixing plate for glass FP</p>	-ST 10 		



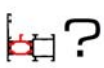








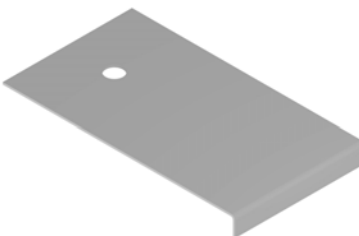







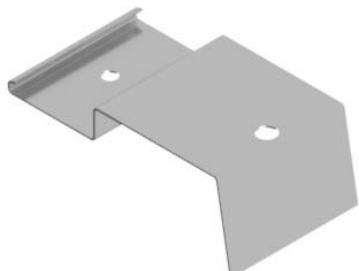



➤ TOEBEHOREN / ACCESSOIRES / ACCESSORY

				
	<p>A-03-502</p> <p>Deurclip FP Clip porte FP Clip door FP</p>	-ST 50 		 Triton FP
	<p>A-03-504</p> <p>Expanderende band 20x1mm FP Intumescent bandes 20x1mm FP Intumescent strips 20x1mm FP</p> <p>25m</p>	-ST 1 		 Triton FP
	<p>A-03-505</p> <p>Expanderende band 40x2mm FP Intumescent bandes 40x2mm FP Intumescent strips 40x2mm FP</p> <p>25m</p>	-ST 1 		 Triton FP
	<p>A-03-506</p> <p>Expanderende band 25x1.5mm FP Intumescent bandes 25x1.5mm FP Intumescent strips 25x1.5mm FP</p> <p>25m</p>	-ST 1 		 Triton FP
	<p>A-03-507</p> <p>Brandw. glassteun FP 80x30x4mm Support de vitrage FP 80x30x4mm Fireproof glass support FP 80x30x4mm</p>	-ST 10 		 Triton FP








► TOEBEHOREN / ACCESSOIRES / ACCESSORY

			
 <p>A-03-508</p> <p>Brandw. glassteun FP 80x30x6mm Support de vitrage FP 80x30x6mm Fireproof glass support FP 80x30x6mm</p>	-ST 10 		 Triton FP
 <p>A-03-509</p> <p>Expanderende band 15x2mm FP Bande intumescent 15x2mm FP Intumescent strips 15x2mm FP</p> <p>25m</p>	-ST 1 		 Triton FP
 <p>A-03-510</p> <p>Brandwerende strook 15x18x1200mm FP Bande épreuve du feu 15x18x1200mm FP Fireproof strip 15x18x1200mm FP</p>	-ST 1 		 Triton FP
 <p>A-03-511</p> <p>Brandwerende strook 15x28x1200mm FP Bande épreuve du feu 15x28x1200mm FP Fireproof strip 15x28x1200mm FP</p>	-ST 1 		 Triton FP
 <p>A-03-512</p> <p>Clip ramen FP Clip fenêtres FP Clip windows FP</p>	-ST 10 		 Triton FP












➤ TOEBEHOREN / ACCESSOIRES / ACCESSORY

				
	A-03-513 Clip ramen FP Clip fenêtres FP Clip windows FP	-ST 50 		 Triton FP
	A-03-514 Clip ramen FP Clip fenêtres FP Clip windows FP	-ST 50 		 Triton FP
	A-03-515 Deurclip FP Clip porte FP Clip door FP	-ST 50 		 Triton FP
	A-03-516 Deurclip FP Clip porte FP Clip door FP	-ST 50 		 Triton FP
	A-03-517 Deurclip FP Clip porte FP Clip door FP	-ST 50 		 Triton FP



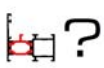












➤ TOEBEHOREN / ACCESSOIRES / ACCESSORY

				
	<p>A-03-901</p> <p>Afsluitset vlakke deur R2 + P-03-901 Pièce d'étanchéité pour porte plane R2 + P-03-901 Closer section for flat door R2 + P-03-901</p>	-ST 1 	●	P-03-901
	<p>A-03-905</p> <p>Afsluitset vlakke deur R2 + P-03-905 Pièce d'étanchéité pour porte plane R2 + P-03-905 Closer section for flat door R2 + P-03-905</p>	-ST 1 	●	P-03-905
	<p>A-03-906</p> <p>Afdichting voor drempel Pièce d'étanchéité pour seuil Sealing for threshold</p>	-ST 50 	●	P-03-906
	<p>A-C1-229</p> <p>Eindstuk voor P-C1-229 Pièce laterale pour P-C1-229 End cap for P-C1-229</p>	-ST 1 	●	P-C1-229
	<p>A-01-305</p> <p>Eindstuk versterkte T-profiel Embout pour traverse renforcé Component for reinforced transom</p>	-ST 10 -ST 24 	● ○	P-03-A305



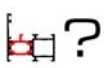











➤ TOEBEHOREN / ACCESSOIRES / ACCESSORY

				
	A-02-101 Glassteun P-02-207 Support cale de vitrage P-02-207 Glazing support P-02-207	-ST 10 	●	P-03-A207
	A-02-306 Eindstuk versterkte T-profiel Embout pour traverse renforcé Component for reinforced transom	-ST 10 -ST 24 	● ○	P-03-A306
	A-07-500 Clip vaste ramen FP Clip fixed windows FP Vlip fenêtres fixes FP	-ST 50 		 Triton FP
	A-10-580 Draadstang M10 - 2 meter RVS Tige Filetee M10 - 2 mètre Inoxydable Tie Rod M10 - 2 meter Stainless	-ST 1 		
	A-10-581 Draadstang M10 - 3 meter RVS Tige Filetee M10 - 3 mètre Inoxydable Tie Rod M10 - 3 meter Stainless	-ST 1 		


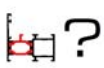







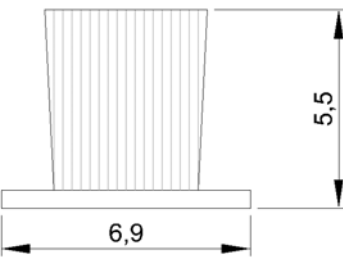
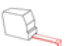

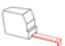

► TOEBEHOREN / ACCESSOIRES / ACCESSORY

				
	A-19-103 Verdoken afwateringskapje Capuchon caché écoulement d'eau Hidden drain hole cover	-ST 100 	● black	P-03-A3...
	A-00-100 Waterkapje Busette Drain hole cover	-ST 100 -ST 2000 	● ○	P-03-A1.. P-03-A3..  A-KM-5402
	A-00-102 Monodrain Blinde ontwatering Monodrain drainage invisible Monodrain Blind drainage	-ST 10 	●	P-03-A1.. P-03-A2..
	A-00-103 Speciale Inbusschroef M6 x 18 Vis speciale M6 x 18 Speciale screw M6 x 18	-ST 100 		A-TV-...
	A-00-104 Waterkapje Busette Drain hole cover	-ST 300 	● black	P-03-A1.. P-03-A3..



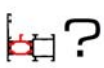
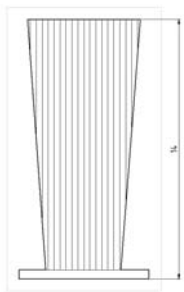







➤ TOEBEHOREN / ACCESSOIRES / ACCESSORY

				
	<p>A-00-105</p> <p>Verstekhoekje Equerre d'alignement Framing square</p>	<p>-ST 200 -ST 3000</p> 	●	<p>P-03-A1.. P-03-A2..</p>
	<p>A-00-106</p> <p>Koppelstukje T-profiel Pièce de montage pour traverse Component for transom assembly</p>	<p>-ST 100 -ST 2000</p> 	●	<p>P-03-A3..</p>
	<p>A-00-110</p> <p>Schroefblokje Clavette Cleat tensioning block</p>	<p>-ST 40</p> 		<p>A-SH-...</p>
	<p>A-00-111</p> <p>Schroef t-verbinders Vis assemblage-t Screw transom bracket</p>	<p>-ST 40</p> 		<p>A-TV-... A-VT-... A-VH-...</p>
	<p>A-00-112</p> <p>Schroef T-profiel Vis traverse Screw transom-mullion</p>	<p>-ST 100</p> 		<p>P-03-A310 P-03-A311 P-03-A312</p>

➤ TOEBEHOREN / ACCESSOIRES / ACCESSORY

				
	<p>A-00-115</p> <p>Muuranker Fixation murale Wall anchor</p> <p>157mm</p>	<p>-ST 100 -ST 1000</p> 		P-03-A1..
	<p>A-00-116</p> <p>Plaathouder Porteur de plaque Plate-holder</p> <p>OUT</p>	<p>-ST 50</p> 		P-03-A1..
	<p>A-00-117</p> <p>Plaathouder Porteur de plaque Plate-holder</p> <p>IN</p>	<p>-ST 50</p> 		P-03-A1..
	<p>A-00-119</p> <p>Borstel Joint brosse Brush</p>	<p>-LM 325</p> 		P-00-705 P-00-706
	<p>A-00-121</p> <p>Borstel Joint brosse Brush</p>	<p>-LM 175</p> 		P-00-203 P-00-204 P-00-205


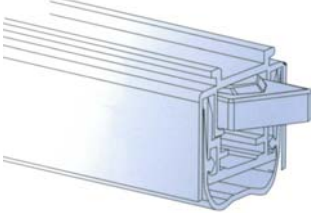

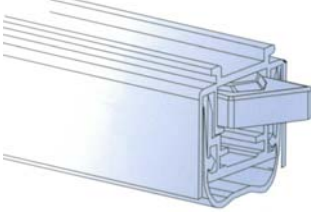


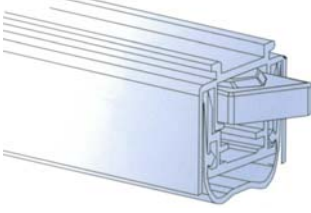



➤ TOEBEHOREN / ACCESSOIRES / ACCESSORY

				
	<p>A-00-122</p> <p>Borstel Joint brosse Brush</p>	<p>-LM 175</p> 	●	
	<p>A-00-125</p> <p>Muuranker Fixation murale Wall anchor</p> <p>240mm</p>	<p>-ST 100</p> 		
	<p>A-00-135</p> <p>Hoek middendichting Pièce d'angle moulé joint central Hook central gasket</p>	<p>-ST 20 -ST 200</p> 	●	
	<p>A-00-140</p> <p>Espagnoletslot Verrous a lever Flush Bolt</p> <p>35 mm</p>	<p>-ST 1</p> 		
	<p>A-00-141</p> <p>Plaatje voor grendel onderaan Pièce pour verrou inférieure Bottom finger bolt bracket</p>	<p>-ST 1</p> 		



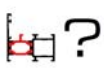
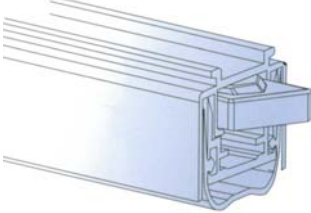


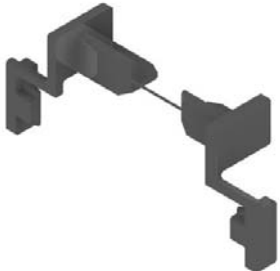


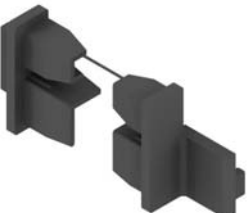









► TOEBEHOREN / ACCESSOIRES / ACCESSORY




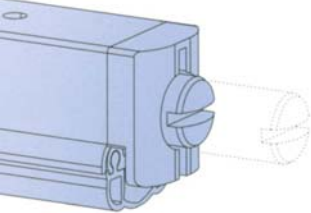


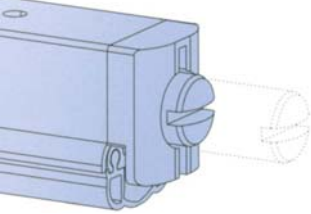


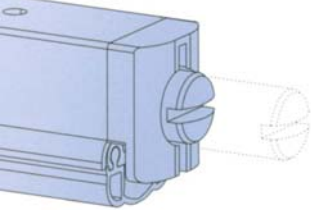


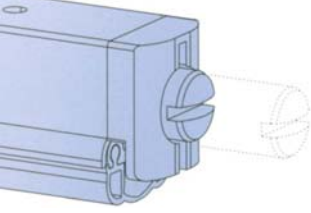


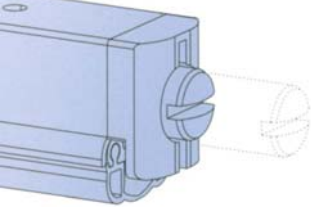


				
	<p>A-00-142</p> <p>Espagnolets slot Verrous a lever Flush Bolt</p> <p>50 mm</p>	-ST 1 		P-03-A400
	<p>A-00-200</p> <p>Borstelhouder Porte-baleis Linear brush holder</p> <p>L = 3000mm</p>	-ST 1 		
 	<p>A-00-202</p> <p>Borsteldichting 25mm Joint brosse 25mm Linear brush seal 25mm</p> <p>L = 3000mm</p>	-ST 1 		A-00-200
 	<p>A-00-203</p> <p>Borsteldichting 16mm Joint brosse 16mm Linear brush seal 16mm</p> <p>L = 3000mm</p>	-ST 1 		P-00-203
	<p>A-00-204</p> <p>Automatische tochtvaldorpel Joint bas de porte automatique Automatic door sealing system</p> <p>L = 700mm</p>	-ST 1 		P-03-A203 P-03-A206

➤ TOEBEHOREN / ACCESSOIRES / ACCESSORY



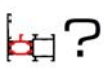
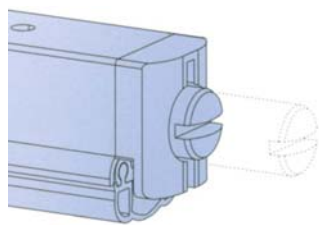


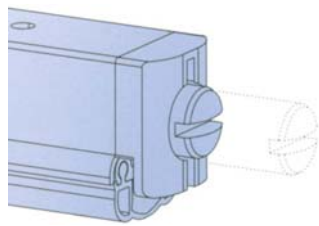













				
	<p>A-00-205</p> <p>Automatische tochtvaldorpel Joint bas de porte automatique Automatic door sealing system</p> <p>L = 800mm</p>	-ST 1 		P-03-A203 P-03-A206
	<p>A-00-206</p> <p>Automatische tochtvaldorpel Joint bas de porte automatique Automatic door sealing system</p> <p>L = 900mm</p>	-ST 1 		P-03-A203 P-03-A206
	<p>A-00-207</p> <p>Automatische tochtvaldorpel Joint bas de porte automatique Automatic door sealing system</p> <p>L = 1000mm</p>	-ST 1 		P-03-A203 P-03-A206
	<p>A-00-208</p> <p>Automatische tochtvaldorpel Joint bas de porte automatique Automatic door sealing system</p> <p>L = 1100mm</p>	-ST 1 		P-03-A203 P-03-A206
	<p>A-00-209</p> <p>Automatische tochtvaldorpel Joint bas de porte automatique Automatic door sealing system</p> <p>L = 1200mm</p>	-ST 1 		P-03-A203 P-03-A206

➤ TOEBEHOREN / ACCESSOIRES / ACCESSORY


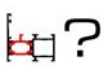






				
 <p>A-00-215</p> <p>Automatische tochtvaldorpel Joint bas de porte automatique Automatic door sealing system</p> <p>L = 1300mm</p>	<p>-ST 1</p> 			<p>P-03-A203 P-03-A206</p>
 <p>A-00-210</p> <p>Eindstuk voor P-00-205 Piece lateral pour P-00-205 End cap for P-00-205</p>	<p>-ST 10</p> 			<p>P-00-205</p>
 <p>A-00-211</p> <p>Eindstuk voor P-00-206 Piece lateral pour P-00-206 End cap for P-00-206</p>	<p>-ST 20</p> 			<p>P-00-206</p>
 <p>A-00-212</p> <p>Eindstuk voor P-03-224R2 / 225R2 Embout pour P-03-224R2 / 225R2 End piece for P-03-224R2 / 225R2</p>	<p>-ST 20</p> 	 		<p>P-03-224R2 P-03-225R2</p>
 <p>A-00-226</p> <p>Anti-uithef vlakke deur Anti dégondage porte plane Anti-lift flat door</p>	<p>-ST 1</p> 			

				
 <p>A-00-304</p> <p>Automatische tochtvaldorpel Joint bas de porte automatique Automatic door sealing system</p> <p>L = 700mm</p>	<p>-ST 1</p> 			
 <p>A-00-305</p> <p>Automatische tochtvaldorpel Joint bas de porte automatique Automatic door sealing system</p> <p>L = 800mm</p>	<p>-ST 1</p> 			
 <p>A-00-306</p> <p>Automatische tochtvaldorpel Joint bas de porte automatique Automatic door sealing system</p> <p>L = 900mm</p>	<p>-ST 1</p> 			
 <p>A-00-307</p> <p>Automatische tochtvaldorpel Joint bas de porte automatique Automatic door sealing system</p> <p>L = 1000mm</p>	<p>-ST 1</p> 			
 <p>A-00-308</p> <p>Automatische tochtvaldorpel Joint bas de porte automatique Automatic door sealing system</p> <p>L = 1100mm</p>	<p>-ST 1</p> 			



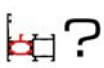
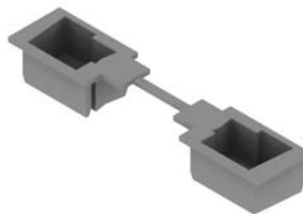



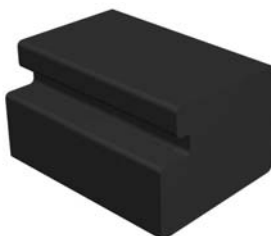





➤ TOEBEHOREN / ACCESSOIRES / ACCESSORY

				
 <p>A-00-309</p> <p>Automatische tochtvaldorpel Joint bas de porte automatique Automatic door sealing system</p> <p>L = 1200mm</p>	<p>-ST 1</p> 			
 <p>A-00-310</p> <p>Automatische tochtvaldorpel Joint bas de porte automatique Automatic door sealing system</p> <p>L = 1300mm</p>	<p>-ST 1</p> 			
 <p>A-00-515</p> <p>Eindstuk voor P-00-515 Embout pour P-00-515 End piece for P-00-515</p>	<p>-ST 20</p> 	 	P-00-515	
 <p>A-00-700</p> <p>Blindklinknagel Rivet Rivet</p>	<p>-ST 100</p> 		P-00-702	
 <p>A-00-702</p> <p>Eindstuk waterneus Embout pour rejet d'eau Component for cover profile</p>	<p>-ST 20 -ST 100</p> 	 	P-00-702 P-00-208	

➤ TOEBEHOREN / ACCESSOIRES / ACCESSORY

				
	<p>A-00-703</p> <p>Klemstukje voor P-00-703 Clips pour P-00-703 Clips for P-00-703</p>	<p>-ST 10 -ST 100</p> 	●	
	<p>A-00-704</p> <p>Klemstuk Clips Clip</p>	<p>-ST 100</p> 		
	<p>A-00-705</p> <p>Inloopstuk rolluikgeleider Guidage pour coulisse a volet Enterpiece rolling shutter</p>	<p>-ST 10</p> 	● ○	
	<p>A-00-706</p> <p>Aandrukrol voor rolluik Rouleau de renvoi pour volet Push roll for roller</p>	<p>-ST 10 -ST 100</p> 	○	
	<p>A-00-710</p> <p>Afsluitstuk deurvleugel Pièce d'étanchéité pour ouvrant porte Closer section for door vent</p>	<p>-ST 4</p> 	●	

► TOEBEHOREN / ACCESSOIRES / ACCESSORY



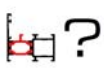
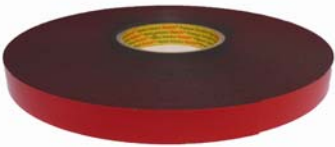

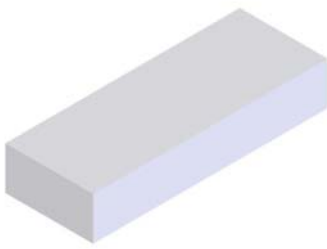


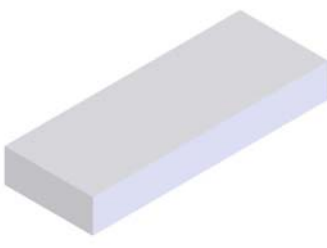










				
	<p>A-00-720</p> <p>Sluitstuk voor P-03-A720 Bouchon pour P-03-A720 Cap for P-03-A720</p>	-ST 10 	●	P-03-A720
	<p>A-00-721</p> <p>Afsluiting dorpel Joint finale pour profilé évac.invisible eaux Sealing threshold</p>	-ST 100 	●	P-00-720 P-00-721 P-00-722 P-00-723 P-00-724 P-00-725 P-00-726
	<p>A-00-725</p> <p>Eindrubber blinde afwateringsprofiel Joint finale pour profilé évac.invisible eaux Endgasket for invisible water outlet profile</p>	-ST 100 	●	P-03-723 P-03-724 P-03-725 P-03-726
	<p>A-00-730</p> <p>Afsluiting dorpel Joint finale pour profilé évac.invisible eaux Sealing threshold</p>	-ST 100 	●	P-00-730
	<p>A-00-850</p> <p>Boormal voor variabele hoek Gabarit de perçage clame variable Drilling jig for adjustable bracket</p>	-ST 1 		P-03-A1..

				
	<p>A-00-851</p> <p>Boormal voor variabele hoek Gabarit de percage clame variabele Drilling jigg for adjustable bracket</p>	-ST 1 		P-03-A1..
	<p>A-00-852</p> <p>Boormal voor variabele hoek Gabarit de percage clame variabele Drilling jigg for adjustable bracket</p>	-ST 1 		P-03-A2..
	<p>A-00-853</p> <p>Boormal voor variabele hoek Gabarit de percage clame variabele Drilling jigg for adjustable bracket</p>	-ST 1 		P-03-A2..
	<p>A-00-854</p> <p>Boormal voor variabele hoek Gabarit de percage clame variabele Drilling jigg for adjustable bracket</p>	-ST 1 		P-03-A3..
	<p>A-00-855</p> <p>Boormal voor variabele hoek Gabarit de percage clame variabele Drilling jigg for adjustable bracket</p>	-ST 1 		P-03-A3..

► TOEBEHOREN / ACCESSOIRES / ACCESSORY

				
	<p>A-00-856</p> <p>Boormal voor t-profiel met schroefgaten Gabarit de perçage clame variable pour traverse avec trou de vis Drilling jig for transom-mullion with screw holes</p>	-ST 1 		P-03-A31..
	<p>A-00-857</p> <p>Boormal voor t-profiel met schroefgaten Gabarit de perçage clame variable pour traverse avec trou de vis Drilling jig for transom-mullion with screw holes</p>	-ST 1 		P-03-A31..
	<p>A-00-858</p> <p>Boormal voor t-profiel Gabarit de perçage pour traverse Drilling jig for transom-mullion</p>	-ST 1 		P-03-A1.. P-03-A3..
	<p>A-00-859</p> <p>Boormal voor t-profiel Gabarit de perçage pour traverse Drilling jig for transom-mullion</p>	-ST 1 		P-03-A1.. P-03-A3..
	<p>A-00-863</p> <p>Boormal waterafvoer buitenkader Gabarit de perçage écoulement d'eau dormant Drilling jig drain hole fixed frame</p>	-ST 1 		

➤ TOEBEHOREN / ACCESSOIRES / ACCESSORY

				
 <p>A-00-920</p> <p>Dubbelzijdige kleeftape Ruban adhésif double face Double coated adhesive tape</p> <p>33 m</p>	<p>-ST 1</p> 			P-00-610
 <p>A-00-950</p> <p>Klemblok 22mm Bloc de serrage 22mm Clamp block 22mm</p> <p>22x120x45mm</p>	<p>-ST 1</p> 			
 <p>A-00-951</p> <p>Klemblok 17mm Bloc de serrage 17mm Clamp block 17mm</p> <p>17x120x45mm</p>	<p>-ST 1</p> 			
 <p>A-00-E140</p> <p>Dorpelafsluitstukjes 140mm Pieces lateral seuil 140mm Sealing for windowsill 140mm</p>	<p>-ST 1</p> 	 		P-00-72.
 <p>A-00-E230</p> <p>Dorpelafsluitstukjes 230mm Pieces lateral seuil 230mm Sealing for windowsill 230mm</p>	<p>-ST 1</p> 	 		P-00-72.

► TOEBEHOREN / ACCESSOIRES / ACCESSORY

				
	A-00-EB143 Dorpelafsluitstukjes 143mm Pieces lateral seuil 143mm Sealing for windowsill 143mm	-ST 1 	 	P-00-72.
	A-00-EB233 Dorpelafsluitstukjes 233mm Pieces lateral seuil 233mm Sealing for windowsill 233mm	-ST 1 	 	P-00-72.
	A-00-EC140 Dorpelafsluitstukjes 140mm Pieces lateral seuil 140mm Sealing for windowsill 140mm	-ST 1 	 	P-00-72.
	A-00-EC230 Dorpelafsluitstukjes 230mm Pieces lateral seuil 230mm Sealing for windowsill 230mm	-ST 1 	 	P-00-72.
	A-00-ED143 Dorpelafsluitstukjes 143mm Pieces lateral seuil 143mm Sealing for windowsill 143mm	-ST 1 	 	P-00-72.

				
 <p>A-00-ED233 Dorpelafsluitstukjes 233mm Pièces lateral seuil 233mm Sealing for windowsill 233mm</p>	-ST 1 	 		P-00-72.
 <p>A-00-K050 Koppelstuk raamdorpel P-00-720 Pièce raccord seuil P-00-720 Connector for windowsill P-00-720</p>	-ST 1 	 		P-00-720
 <p>A-00-K080 Koppelstuk raamdorpel P-00-721 Pièce raccord seuil P-00-721 Connector for windowsill P-00-721</p>	-ST 1 	 		P-00-721
 <p>A-00-K110 Koppelstuk raamdorpel P-00-722 Pièce raccord seuil P-00-722 Connector for windowsill P-00-722</p>	-ST 1 	 		P-00-722
 <p>A-00-K140 Koppelstuk raamdorpel P-00-723 Pièce raccord seuil P-00-723 Connector for windowsill P-00-723</p>	-ST 1 	 		P-00-723

► TOEBEHOREN / ACCESSOIRES / ACCESSORY

				
	<p>A-00-K170</p> <p>Koppelstuk raamdorpel P-00-724 Pièce raccord seuil P-00-724 Connector for windowsill P-00-724</p>	-ST 1 	 	P-00-724
	<p>A-00-K200</p> <p>Koppelstuk raamdorpel P-00-725 Pièce raccord seuil P-00-725 Connector for windowsill P-00-725</p>	-ST 1 	 	P-00-725
	<p>A-00-K230</p> <p>Koppelstuk raamdorpel P-00-726 Pièce raccord seuil P-00-726 Connector for windowsill P-00-726</p>	-ST 1 	 	P-00-726
	<p>A-00-CE30</p> <p>Halve Cilinder 30 Demi-cylindre 30 Half cylinder 30</p> <p>A-00-GE30</p> 	-ST 1 		
	<p>A-00-CE35</p> <p>Halve Cilinder 35 Demi-cylindre 35 Half cylinder 35</p> <p>A-00-GE35</p> 	-ST 1 		




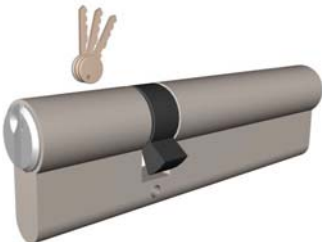
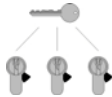









➤ TOEBEHOREN / ACCESSOIRES / ACCESSORY

				
	<p>A-00-CE60</p> <p>Halve Cilinder 60 Demi-cylindre 60 Half cylinder 60</p> <p>A-00-GE60</p> 	-ST 1 		
	<p>A-00-CE70</p> <p>Halve Cilinder 70 Demi-cylindre 70 Half cylinder 70</p> <p>A-00-GE70</p> 	-ST 1 		
	<p>A-00-CE80</p> <p>Halve Cilinder 80 Demi-cylindre 80 Half cylinder 80</p> <p>A-00-GE80</p> 	-ST 1 		
	<p>A-00-CE3050</p> <p>Cilinder 30/50 Cylindre 30/50 Cilinder 30/50</p> <p>A-00-GE3050</p> 	-ST 1 		
	<p>A-00-CE3060</p> <p>Cilinder 30/60 Cylindre 30/60 Cilinder 30/60</p> <p>A-00-GE3060</p> 	-ST 1 		



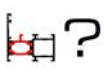


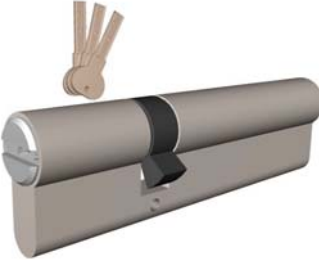




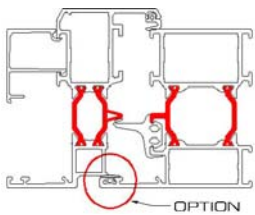

► TOEBEHOREN / ACCESSOIRES / ACCESSORY

			 
 <p>A-00-CE3065</p> <p>Cilinder 30/65 Cylindre 30/65 Cilinder 30/65</p> <p>A-00-GE3065</p> 	<p>-ST 1</p> 		
 <p>A-00-CE3070</p> <p>Cilinder 30/70 Cylindre 30/70 Cilinder 30/70</p> <p>A-00-GE3070</p> 	<p>-ST 1</p> 		
 <p>A-00-CE3075</p> <p>Cilinder 30/75 Cylindre 30/75 Cilinder 30/75</p> <p>A-00-GE3075</p> 	<p>-ST 1</p> 		
 <p>A-00-CE3565</p> <p>Cilinder 35/65 Cylindre 35/65 Cilinder 35/65</p> <p>A-00-GE3565</p> 	<p>-ST 1</p> 		
 <p>A-00-CE3560</p> <p>Cilinder 35/60 Cylindre 35/60 Cilinder 35/60</p> <p>A-00-GE3560</p> 	<p>-ST 1</p> 		

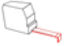


➤ TOEBEHOREN / ACCESSOIRES / ACCESSORY

			
 <p>A-00-CE3575</p> <p>Cilinder 35/75 Cylindre 35/75 Cilinder 35/75</p> <p>A-00-GE3575</p> 	<p>-ST 1</p> 		
 <p>A-00-CV3050</p> <p>Veiligheidscilinder 30/50 Cylindre de sécurité 30/50 Security cilinder 30/50</p>	<p>-ST 1</p> 		
 <p>A-00-CV3060</p> <p>Veiligheidscilinder 30/60 Cylindre de sécurité 30/60 Security cilinder 30/60</p>	<p>-ST 1</p> 		
 <p>A-00-CV3065</p> <p>Veiligheidscilinder 30/65 Cylindre de sécurité 30/65 Security cilinder 30/65</p>	<p>-ST 1</p> 		
 <p>A-00-CV3070</p> <p>Veiligheidscilinder 30/70 Cylindre de sécurité 30/70 Security cilinder 30/70</p>	<p>-ST 1</p> 		



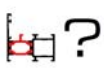

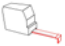

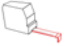

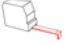

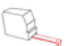

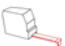
► TOEBEHOREN / ACCESSOIRES / ACCESSORY

				
 <p>A-00-CV3075 Veiligheidscilinder 30/75 Cylindre de sécurité 30/75 Security cilinder 30/75</p>	-ST 1 			
 <p>A-00-CV3575 Veiligheidscilinder 35/75 Cylindre de sécurité 35/75 Security cilinder 35/75</p>	-ST 1 			
 <p>A-GS-100 Beglazingsrubber Joint de vitrage Sealing gasket</p>	-LM 100 	●		P-03-A1.. P-03-A2.. P-03-A3..
 <p>A-GS-110 Beglazingsrubber Joint de vitrage Sealing gasket</p>	-LM 100 	●		P-03-A1.. P-03-A2.. P-03-A3..
 <p>A-GS-115 Aanslagdichting Joint de frappe Flipper gasket</p> 	-LM 100 	●		P-03-A1.. P-03-A3.. P-03-A4..

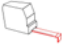
➤ TOEBEHOREN / ACCESSOIRES / ACCESSORY

				
	<p>A-GS-123</p> <p>Rubber taatsdeur Joint porte pivotante Gasket pivoting door</p>	<p>-LM 100</p> 	●	
	<p>A-GS-131</p> <p>Aanslagdichting ramen Joint de frappe fenêtres Flipper gasket windows</p>	<p>-LM 100</p> 	●	P-03-A2..
	<p>A-GS-132</p> <p>Aanslagdichting deur Joint pour porte Gasket for door</p>	<p>-LM 100</p> 	●	P-03-A3..
	<p>A-GS-133</p> <p>Aanslagdichting deuren Joint de frappe portes Flipper gasket doors</p>	<p>-LM 100</p> 	●	P-03-A2..
	<p>A-GS-134</p> <p>Aanslagrubber voor tuimelraam Joint pour chassis basculant Gasket for pivoting window</p>	<p>-LM 100</p> 	●	P-03-A2.. P-03-A3..

► TOEBEHOREN / ACCESSOIRES / ACCESSORY

				
	A-GS-135 Middendichting Joint central Central gasket	-LM 50 	●	P-03-A1.. P-03-A3..
	A-GS-136 Middendichting Joint central Central gasket	-LM 40 	●	P-03-A1.. P-03-A3..
	A-GS-303 Beglazingsrubber 3mm Joint de vitrage 3mm Sealing gasket 3mm	-LM 100 	●	P-03-A1.. P-03-A2.. P-03-A3..
	A-GS-304 Beglazingsrubber 4mm Joint de vitrage 4mm Sealing gasket 4mm	-LM 100 	●	P-03-A1.. P-03-A2.. P-03-A3..
	A-GS-305 Beglazingsrubber 5mm Joint de vitrage 5mm Sealing gasket 5mm	-LM 100 	●	P-03-A1.. P-03-A2.. P-03-A3..



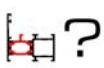

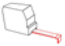





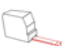


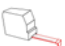


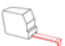

➤ TOEBEHOREN / ACCESSOIRES / ACCESSORY

				
	<p>A-GS-306</p> <p>Beglazingsrubber 6mm Joint de vitrage 6mm Sealing gasket 6mm</p>	<p>-LM 100</p> 	●	<p>P-03-A1.. P-03-A2.. P-03-A3..</p>
	<p>A-GS-308</p> <p>Beglazingsrubber 8mm Joint de vitrage 8mm Sealing gasket 8mm</p>	<p>-LM 100</p> 	●	<p>P-03-A1.. P-03-A2.. P-03-A3..</p>
	<p>A-GS-700</p> <p>Koppelrubber Joint de couplage Coupling gasket</p> <p>IN</p>	<p>-LM 100</p> 	●	<p>P-03-A1..</p>
	<p>A-GS-702</p> <p>Rubber voor deurdrempel Joint pour seuil de porte Gasket for threshold</p>	<p>-LM 50</p> 	●	<p>P-00-215 P-00-216 P-00-217</p>
	<p>A-GS-703</p> <p>Platrubber Joint plaque Gasket plate</p>	<p>-LM 50</p> 	●	<p>P-00-106</p>

► TOEBEHOREN / ACCESSOIRES / ACCESSORY

				
	A-GS-704 Koppelrubber Joint de couplage Coupling gasket OUT	-LM 100 	●	P-03-A1..
	A-GS-706 Basisrubber Joint de base Base gasket	-LM 25 	●	P-03-A1..
	A-GS-900 Isolatieband bande d'isolation Insulation tape	-LM 100 		P-03-A1.. P-03-A2.. P-03-A3..
	A-GS-901 Isolatieband bande d'isolation Insulation tape	-LM 80 		P-03-A1..
	A-GS-100F Beglazingsrubber Joint de vitrage Sealing gasket	-LM 100 	●	

➤ TOEBEHOREN / ACCESSOIRES / ACCESSORY

				
	A-GS-131F Aanslagdichting deuren Joint de frappe portes Flipper gasket doors	-LM 100 	●	
	A-GS-133F Aanslagdichting deuren Joint de frappe portes Flipper gasket doors	-LM 100 	●	
	A-GS-135F Middendichting Joint central Central gasket	-LM 50 	●	
	A-GS-304F Beglazingsrubber 4mm Joint de vitrage 4mm Sealing gasket 4mm	-LM 100 	●	
	A-GS-305F Beglazingsrubber 5mm Joint de vitrage 5mm Sealing gasket 5mm	-LM 100 	●	

► TOEBEHOREN / ACCESSOIRES / ACCESSORY

				
	A-GS-306F Beglazingsrubber 6mm Joint de vitrage 6mm Sealing gasket 6mm	-LM 100 	●	
	A-GS-308F Beglazingsrubber 8mm Joint de vitrage 8mm Sealing gasket 8mm	-LM 100 	●	
	A-GH-1115 Stifthoek Clame à goupille Pin corner cleat	-ST 4 -ST 40 		P-03-A116 P-03-A300
	A-HM-105 Verstekhoek Equerre d'alignement Framing square	-ST 20 -ST 250 		P-03-A1.. P-03-A2.. P-03-A3..
	A-PH-1110 Pershoek Equerre à sertir Clamping corner	-ST 20 -ST 100 -ST 4000 		P-03-A200 P-03-A210

				
	A-PH-1115 Pershoek Equerre à sertir Clamping corner	-ST 20 -ST 100 		P-03-A300
	A-PH-1383 Pershoek Equerre à sertir Clamping corner	-ST 20 		P-03-A120 P-03-A121
	A-PH-1415 Pershoek Equerre à sertir Clamping corner	-ST 20 -ST 100 -ST 300 		P-03-A100 P-03-A107 P-03-A111 P-03-A117 P-03-A119 P-03-A404 P-03-403
	A-PH-1430 Pershoek Equerre à sertir Clamping corner	-ST 20 -ST 100 		P-03-A230B P-03-A240B
	A-PH-1464 Pershoek Equerre à sertir Clamping corner	-ST 20 -ST 100 		P-03-A115

► TOEBEHOREN / ACCESSOIRES / ACCESSORY

				
	A-PH-1607 Pershoek Equerre à sertir Clamping corner	-ST 20 -ST 100 		P-03-A405 P-03-B405
	A-PH-1610 Pershoek Equerre à sertir Clamping corner	-ST 20 -ST 100 		P-03-A230B P-03-A240B
	A-PH-1616 Pershoek Equerre à sertir Clamping corner	-ST 20 -ST 100 		P-03-A404
	A-PH-1621 Pershoek Equerre à sertir Clamping corner	-ST 20 -ST 200 		P-03-A100 P-03-A107 P-03-A111 P-03-A115 P-03-A117 P-03-A119 P-03-A123 P-03-A300 P-03-A309 P-03-403
	A-PH-1630 Pershoek Equerre à sertir Clamping corner	-ST 20 -ST 200 		P-03-A200 P-03-A210

➤ TOEBEHOREN / ACCESSOIRES / ACCESSORY

				
	A-PH-1665 Pershoek Équerre à sertir Clamping corner	-ST 20 		P-03-A109 P-03-A110
	A-PH-2036 Pershoek Équerre à sertir Clamping corner	-ST 20 -ST 100 		P-03-A108
	A-PH-2314 Pershoek Équerre à sertir Clamping corner	-ST 20 -ST 100 		P-03-A104
	A-PH-2520 Pershoek Équerre à sertir Clamping corner	-ST 20 -ST 100 		P-03-A104
	A-PH-2710 Pershoek Équerre à sertir Clamping corner	-ST 20 -ST 100 		P-03-A201 P-03-A211

► TOEBEHOREN / ACCESSOIRES / ACCESSORY

				
	A-PH-2715 Pershoek Equerre à sertir Clamping corner	-ST 20 -ST 100 		P-03-A301 P-03-A123
	A-PH-2730 Pershoek Équerre à sertir Clamping corner	-ST 20 -ST 100 		P-03-A231B P-03-A241B
	A-PH-3010 Pershoek Équerre à sertir Clamping corner	-ST 20 -ST 100 		P-03-A231B P-03-A241B
	A-PH-3015 Pershoek Equerre à sertir Clamping corner	-ST 20 -ST 100 		P-03-A101 P-03-A113 P-03-A118
	A-PH-3025 Pershoek Equerre à sertir Clamping corner	-ST 4 		P-03-A405 P-03-B405

				
	A-PH-3207 Pershoek Equerre à sertir Clamping corner	-ST 20 -ST 100 		P-03-260 P-03-B260
	A-PH-3221 Pershoek Equerre à sertir Clamping corner	-ST 20 -ST 100 		P-03-A101 P-03-A108 P-03-A109 P-03-A110 P-03-A113 P-03-A118 P-03-A301
	A-PH-3230 Pershoek Equerre à sertir Clamping corner	-ST 20 -ST 100 		P-03-A201 P-03-A211
	A-PH-3706 Pershoek Equerre à sertir Clamping corner	-ST 20 -ST 100 		P-03-A203 P-03-A213
	A-PH-3709 Pershoek Équerre à sertir Clamping corner	-ST 20 -ST 100 		P-03-A309

► TOEBEHOREN / ACCESSOIRES / ACCESSORY

				
	A-PH-3710 Pershoek Equerre à sertir Clamping corner	-ST 20 -ST 100 		P-03-A202
	A-PH-3715 Pershoek Equerre à sertir Clamping corner	-ST 20 -ST 100 		P-03-A302
	A-PH-4006 Pershoek Équerre à sertir Clamping corner	-ST 20 -ST 200 		P-03-224R2 P-03-225R2
	A-PH-4015 Pershoek Equerre à sertir Clamping corner	-ST 20 -ST 100 		P-03-A102
	A-PH-4206 Pershoek Équerre à sertir Clamping corner	-ST 20 -ST 100 		P-03-A205

				
	A-PH-4207 Pershoek Equerre à sertir Clamping corner	-ST 20 -ST 100 		P-03-A214 P-03-124R2 P-03-125R2
	A-PH-4221 Pershoek Equerre à sertir Clamping corner	-ST 20 -ST 100 		P-03-A102 P-03-A302
	A-PH-4229 Pershoek Équerre à sertir Clamping corner	-ST 20 -ST 100 		P-03-A205
	A-PH-4230 Pershoek Equerre à sertir Clamping corner	-ST 20 -ST 100 		P-03-A202 P-03-A203 P-03-A212 P-03-A213
	A-PH-4707 Pershoek Équerre à sertir Clamping corner	-ST 20 -ST 100 		P-03-A206 P-03-A207

► TOEBEHOREN / ACCESSOIRES / ACCESSORY

				
	A-PH-4709 Pershoek Équerre à sertir Clamping corner	-ST 20 -ST 100 		P-03-A319
	A-PH-4725 Pershoek Équerre à sertir Clamping corner	-ST 20 -ST 100 		P-03-124R2 P-03-125R2 P-03-224R2 P-03-225R2
	A-PH-4727 Pershoek Équerre à sertir Clamping corner	-ST 20 		P-03-260 P-03-B260
	A-PH-4730 Pershoek Equerre à sertir Clamping corner	-ST 20 -ST 100 		P-03-A206 P-03-A207 P-03-A214
	A-SH-1110 Schroefhoek Equerre à visser Square coupling joint	-ST 4 -ST 40 		P-03-A200 P-03-A210  A-KM-5407

				
	A-SH-1383 Schroefhoek Equerre à visser Square coupling joint	-ST 4 -ST 40 		P-03-A120 P-03-A121  A-KM-5403
	A-SH-1415 Schroefhoek Equerre à visser Square coupling joint	-ST 4 -ST 40 		P-03-A100 P-03-A111 P-03-A117 P-03-A404 P-03-403  A-KM-5407 A-KM-5417
	A-SH-1465 Schroefhoek Equerre à visser Square coupling joint	-ST 4 -ST 40 		P-03-A115  A-KM-5407
	A-SH-1620 Schroefhoek Equerre à visser Square coupling joint	-ST 4 		P-03-A117  A-KM-5417
	A-SH-1621 Schroefhoek Equerre à visser Square coupling joint	-ST 4 -ST 40 		P-03-A100 P-03-A107 P-03-A111 P-03-A115 P-03-A116 P-03-A123 P-03-A300 P-03-A309 P-03-403  A-KM-5407

				
	A-SH-1630 Schroefhoek Equerre à visser Square coupling joint	-ST 4 -ST 40 		P-03-A200 P-03-A210  A-KM-5407
	A-SH-1662 Schroefhoek Equerre à visser Square coupling joint	-ST 4 		P-03-A110  A-KM-5407
	A-SH-1665 Schroefhoek Equerre à visser Square coupling joint	-ST 4 		P-03-A109  A-KM-5407
	A-SH-2036 Schroefhoek Equerre à visser Square coupling joint	-ST 4 -ST 40 		P-03-A108  A-KM-5407
	A-SH-2314 Schroefhoek Équerre à visser Square coupling joint	-ST 4 -ST 40 		P-03-A104  A-KM-5407

➤ TOEBEHOREN / ACCESSOIRES / ACCESSORY

				
	A-SH-2520 Schroefhoek Équerre à visser Square coupling joint	-ST 4 -ST 40 		P-03-A104  A-KM-5407
	A-SH-2710 Schroefhoek Equerre à visser Square coupling joint	-ST 4 -ST 40 		P-03-A201 P-03-A211  A-KM-5407
	A-SH-2715 Schroefhoek Equerre à visser Square coupling joint	-ST 4 -ST 40 		P-03-A123  A-KM-5407
	A-SH-3015 Schroefhoek Equerre à visser Square coupling joint	-ST 4 -ST 40 		P-03-A101 P-03-A113 P-03-A118  A-KM-5407 A-KM-5417
	A-SH-3025 Schroefhoek Equerre à visser Square coupling joint	-ST 4 		P-03-A405 P-03-B405  A-KM-5407

				
	A-SH-3220 Schroefhoek Equerre à visser Square coupling joint	-ST 4 		P-03-A118  A-KM-5417
	A-SH-3221 Schroefhoek Equerre à visser Square coupling joint	-ST 4 -ST 40 		P-03-A101 P-03-A108 P-03-A109 P-03-A110 P-03-A113 P-03-A301  A-KM-5407
	A-SH-3230 Schroefhoek Equerre à visser Square coupling joint	-ST 4 -ST 40 		P-03-A201 P-03-A211  A-KM-5407
	A-SH-3709 Schroefhoek Équerre à visser Square coupling joint	-ST 4 -ST 40 		P-03-A309  A-KM-5412
	A-SH-3710 Schroefhoek Equerre à visser Square coupling joint	-ST 4 -ST 40 		P-03-A202 P-03-A212  A-KM-5407

				
	A-SH-4015 Schroefhoek Equerre à visser Square coupling joint	-ST 4 -ST 40 		 P-03-A102  A-KM-5407
	A-SH-4221 Schroefhoek Equerre à visser Square coupling joint	-ST 4 -ST 40 		 P-03-A102 P-03-A302  A-KM-5407
	A-SH-4229 Schroefhoek Équerre à visser Square coupling joint	-ST 4 -ST 40 		 P-03-A205  A-KM-5403
	A-SH-4230 Schroefhoek Equerre à visser Square coupling joint	-ST 4 -ST 40 		 P-03-A202 P-03-A212  P-03-A203 P-03-A213  A-KM-5407
	A-SH-4709 Schroefhoek Equerre à visser Square coupling joint	-ST 4 		 P-03-A319  A-KM-5412

► TOEBEHOREN / ACCESSOIRES / ACCESSORY

				
	A-SH-4724 Schroefhoek Equerre à visser Square coupling joint	-ST 4 		P-03-124R2 P-03-125R2  A-KM-5412
	A-SH-4725 Schroefhoek Equerre à visser Square coupling joint	-ST 4 -ST 40 		P-03-224R2 P-03-225R2  A-KM-5412
	A-SH-4727 Schroefhoek Equerre à visser Square coupling joint	-ST 4 		P-03-260 P-03-B260  A-KM-5403
	A-SH-4730 Schroefhoek Equerre à visser Square coupling joint	-ST 4 -ST 40 		P-03-A206 P-03-A207 P-03-A214  A-KM-5403
	A-TV-001 T-verbinding Attacher traverse Connecting component for transom	-ST 10 -ST 1000 		P-03-A100 P-03-A111 P-03-A300 P-03-A303 P-03-A304 P-03-A305 P-03-A315 P-03-A320  A-KM-5407

➤ TOEBEHOREN / ACCESSOIRES / ACCESSORY

				
	A-TV-002 T-verbinding Attacher traverse Connecting component for transom	-ST 10 		P-03-A101 P-03-A113 P-03-A301 P-03-A306  A-KM-5407
	A-TV-003 T-verbinding Attacher traverse Connecting component for transom	-ST 10 		P-03-A102 P-03-A302 P-03-A332  A-KM-5407
	A-TV-005 T-verbinding Attacher traverse Connecting component for transom	-ST 10 		P-03-A300 P-03-A305 P-03-A315 P-03-A320  A-KM-5407
	A-TV-014 T-verbinding Attacher traverse Connecting component for transom	-ST 10 		P-03-A104  A-KM-5407
	A-TV-057 T-verbinding Attacher traverse Connecting component for transom	-ST 10 		P-03-A300 P-03-A305 P-03-A315 P-03-A320  A-KM-5407

➤ TOEBEHOREN / ACCESSOIRES / ACCESSORY

				
	A-TV-064 T-verbinding Attacher traverse Connecting component for transom	-ST 10 		P-03-A300 P-03-A305 P-03-A315 P-03-A320  A-KM-5407
	A-TV-065 T-verbinding Attacher traverse Connecting component for transom	-ST 10 		P-03-A301 P-03-A303 P-03-A304 P-03-A306  A-KM-5407
	A-TV-066 T-verbinding Attacher traverse Connecting component for transom	-ST 10 		P-03-A302 P-03-A332  A-KM-5407
	A-TV-067 T-verbinding Attache traverse Connecting component for transom	-ST 10 		P-03-A100 P-03-A111  A-KM-5407
	A-TV-068 T-verbinding Attache traverse Connecting component for transom	-ST 10 		P-03-A101 P-03-A113  A-KM-5407

➤ TOEBEHOREN / ACCESSOIRES / ACCESSORY

				
	A-TV-069 T-verbinding Attache traverse Connecting component for transom	-ST 10 		 P-03-A102  A-KM-5407
	A-TV-075 T-verbinding Attache traverse Connecting component for transom	-ST 10 		 P-03-A104  A-KM-5407
	A-VH-1110 Variabele hoekverbinding Equerre á angle variable Adjustable connecting component	-ST 10 		 P-03-A200 P-03-A210
	A-VH-1415 Variabele hoekverbinding Equerre á angle variable Adjustable connecting component	-ST 10 		 P-03-A100 P-03-A111
	A-VH-1621 Variabele hoekverbinding Equerre á angle variable Adjustable connecting component	-ST 10 		 P-03-A100 P-03-A111 P-03-A116 P-03-A300

► TOEBEHOREN / ACCESSOIRES / ACCESSORY

				
	<p>A-VH-1630</p> <p>Variabele hoekverbinding Équerre à angle variable Adjustable connecting component</p>	-ST 10 		P-03-A200 P-03-A210
	<p>A-VH-1664</p> <p>Variabele hoekverbinding Équerre à angle variable Adjustable connecting component</p>	-ST 10 		P-03-A109 P-03-A110
	<p>A-VH-3015</p> <p>Variabele hoekverbinding Équerre à angle variable Adjustable connecting component</p>	-ST 10 		P-03-A101 P-03-A113
	<p>A-VH-3221</p> <p>Variabele hoekverbinding Équerre à angle variable Adjustable connecting component</p>	-ST 10 		P-03-A101 P-03-A109 P-03-A110 P-03-A113 P-03-A301
	<p>A-VH-4015</p> <p>Variabele hoekverbinding Équerre à angle variable Adjustable connecting component</p>	-ST 10 		P-03-A102

➤ TOEBEHOREN / ACCESSOIRES / ACCESSORY

				
	A-VH-4221 Variabele hoekverbinding Équerre à angle variable Adjustable connecting component	-ST 10 		P-03-A102 P-03-A302
	A-VT-1115 Variabele T-verbinding Attacher traverse á angle variable Adjustable connecting component for transom	-ST 10 		P-03-A300 P-03-A320
	A-VT-1621 Variabele T-verbinding Attacher traverse á angle variable Adjustable connecting component for transom	-ST 10 		P-03-A300 P-03-A320
	A-VT-2715L Variabele T-verbinding Attacher traverse à angle variable Adjustable connecting component for transom	-ST 10 		P-03-A301
	A-VT-2715R Variabele T-verbinding Attacher traverse à angle variable Adjustable connecting component for transom	-ST 10 		P-03-A301



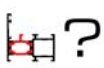












► TOEBEHOREN / ACCESSOIRES / ACCESSORY

				
	<p>A-VT-3221L</p> <p>Variabele T-verbinding Attacher traverse à angle variable Adjustable connecting component for transom</p>	-ST 10 		P-03-A301
	<p>A-VT-3221R</p> <p>Variabele T-verbinding Attacher traverse à angle variable Adjustable connecting component for transom</p>	-ST 10 		P-03-A301
	<p>A-KM-0001</p> <p>Verstekschaar voor rubbers Pince à onglet pour joints Tongs for mitre joint of gaskets</p>	-ST 1 		A-GS-137
	<p>A-KM-5402</p> <p>Kapmatrijs Outillage de poinçonnage Punching tool</p>	-ST 1 		
	<p>A-KM-5403</p> <p>Kapmatrijs Outillage de poinçonnage Punching tool</p>	-ST 1 		




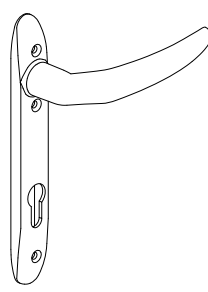


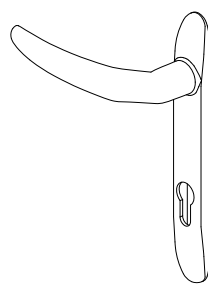


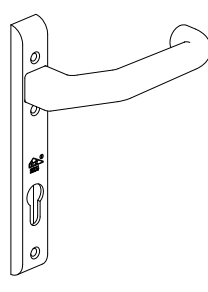



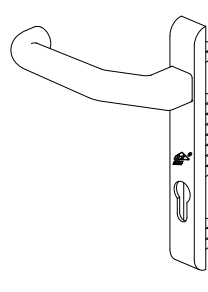



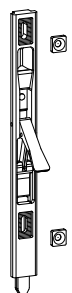


➤ TOEBEHOREN / ACCESSOIRES / ACCESSORY

				
	<p>A-KM-5407</p> <p>Kapmatrijs Outillage de poinçonnage Punching tool</p>	-ST 1 		
	<p>A-KM-5412</p> <p>Kapmatrijs Outillage de poinçonnage Punching tool</p>	-ST 1 		
	<p>A-KM-5417</p> <p>Kapmatrijs Outillage de poinçonnage Punching tool</p>	-ST 1 		
	<p>A-KM-54PD</p> <p>beveiligingspedaal voor A-KM-54PO Pédale de sécurité pour A-KM-54PO Safety pedal for A-KM-54PO</p>	-ST 1 		
	<p>A-KM-54PO</p> <p>Pneumatische eenheid Unite pneumatique Pneumatic unit</p> <p>3 Ton</p>	-ST 1 		



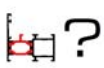
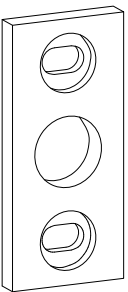


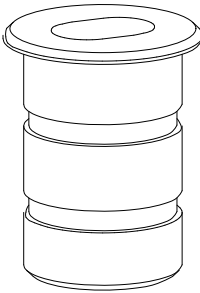


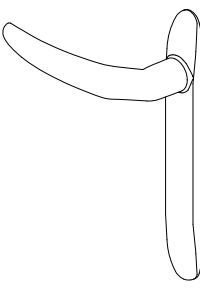


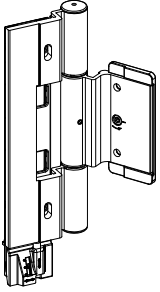


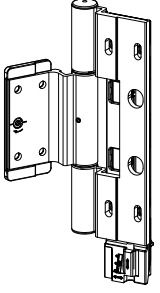


► TOEBEHOREN / ACCESSOIRES / ACCESSORY

				
	<p>A-KM-54PO5</p> <p>Pneumatische eenheid Unite pneumatique Pneumatic unit</p> <p>5 Ton</p>	-ST 1 		
	<p>A-KM-54SO</p> <p>Sokkel voor A-KM-54PO Socle pour A-KM-54PO Support for A-KM-54PO</p>	-ST 1 		
	<p>A-KM-54SOLD</p> <p>Luchtdrukmeter voor A-KM-54SO Manomètre à air A-KM-54SO Air pressure gauge A-KM-54SO</p>	-ST 1 		
	<p>A-BF-113</p> <p>Bodemhuls voor grendel Douille encastrable pour verrou Groundsleeve for latch</p>	-ST 1 		
	<p>A-BF-115</p> <p>Grendel Verrou Latch</p>	-ST 1 		



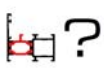
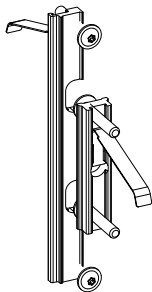


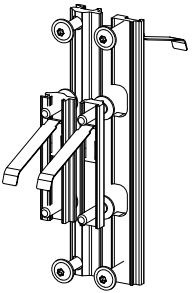


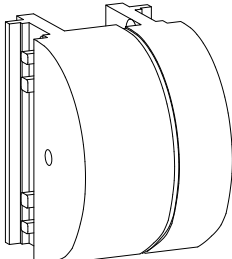


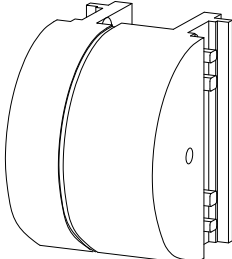





➤ TOEBEHOREN / ACCESSOIRES / ACCESSORY

				
	<p>A-BS-252</p> <p>Deurkruk binnen met langschild Bequille interieur avec plaque longue</p>	-ST 1 		
	<p>A-BS-253</p> <p>Deurkruk buiten met langschild Bequille exterieur avec plaque longue</p>	-ST 1 		
	<p>A-BS-254</p> <p>SKG binnenkruk Bequille interieur SKG SKG handle inside</p> 	-ST 1 		
	<p>A-BS-255</p> <p>SKG deurkruk buiten Bequille exterieur SKG SKG handle outside</p> 	-ST 1 		
	<p>A-BS-260</p> <p>Deurgrendel voor 5 puntslot Verrou pour serrure 5-points</p>	-ST 1 		


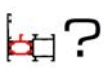











► TOEBEHOREN / ACCESSOIRES / ACCESSORY

				
	A-BS-261 Sluitstukje voor deurgrendel Gaches pour verrou	-ST 1 		
	A-BS-262 Sluitpot voor deurgrendel Gaine encastrable pour verrou	-ST 1 		
	A-BS-264 Deurkruk buiten met langschild Bequille exterieur avec plaque longue handle outside with long plate	-ST 1 		
	A-BS-273 Rollenband deurscharnier naar binnen- draaiend Paumelle de porte Rollenband pour ouvrant intérieur Rollenband Doorhinge inside opening	-ST 1 		
	A-BS-274 Rollenband deurscharnier naar buiten- draaiend Paumelle de porte Rollenband pour ouvrant extérieur Rollenband Doorhinge outside opening	-ST 1 		



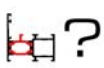


















➤ TOEBEHOREN / ACCESSOIRES / ACCESSORY

				
	<p>A-BS-275</p> <p>Bevestigingskit binnendraaiende deur Kit de fixation porte ouverture Int Fastening kit for inward opening doors</p>	-ST 1 		
	<p>A-BS-277</p> <p>Bevestigingskit buitendraaiende deur Triton Kit de fixation porte ouverture Int Triton Fastening kit for outward opening doors Triton</p>	-ST 1 		
	<p>A-BS-285L</p> <p>Pivot standaard Links Pivot standard Gauche Pivot standard Left</p>	-ST 1 		
	<p>A-BS-285R</p> <p>Pivot standard Rechts Pivot standard Droite Pivot standard Right</p>	-ST 1 		
	<p>A-BS-350</p> <p>Meerpuntslot Serrure multiple Multi-point lock</p> <p>2170mm</p>	-ST 1 		



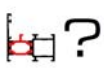
















► TOEBEHOREN / ACCESSOIRES / ACCESSORY

				
	<p>A-BS-351</p> <p>Meerpuntslot Serrure multiple Multi-point lock</p> <p>2470mm</p>	<p>-ST 1</p> 		
	<p>A-BS-353</p> <p>Meerpuntslot Serrure multiple Multi-point lock</p> <p>2170mm</p>	<p>-ST 1</p> 		
	<p>A-BS-353P</p> <p>Meerpuntslot met paniektentie Serrure multiple avec anti-panique Multi-point lock wit panic function</p> <p>2170mm</p>	<p>-ST 1</p>  		
	<p>A-BS-354</p> <p>Meerpuntslot Serrure multiple Multi-point lock</p> <p>2470mm</p>	<p>-ST 1</p> 		
	<p>A-BS-354P</p> <p>Meerpuntslot met paniektentie Serrure multiple avec anti-panique Multi-point lock wit panic function</p> <p>2470mm</p>	<p>-ST 1</p>  		



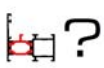












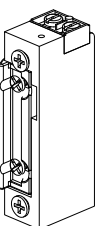


➤ TOEBEHOREN / ACCESSOIRES / ACCESSORY

				
	<p>A-BS-359</p> <p>Meerpuntslot Serrure multiple Multi-point lock</p> <p>2170mm</p>	<p>-ST 1</p> 		
	<p>A-BS-359P</p> <p>Meerpuntslot met paniektentie Serrure multiple avec anti-panique Multi-point lock wit panic function</p> <p>2170mm</p>	<p>-ST 1</p>  		
	<p>A-BS-360</p> <p>Meerpuntslot Serrure multiple Multi-point lock</p> <p>2470mm</p>	<p>-ST 1</p> 		
	<p>A-BS-360P</p> <p>Meerpuntslot met paniektentie Serrure multiple avec anti-panique Multi-point lock wit panic function</p> <p>2470mm</p>	<p>-ST 1</p>  		
	<p>A-BS-364L A-BS-364R</p> <p>Lange slotplaat-2,5mm Gâche filante 2,5mm Lock plate long 2,5mm</p> <p>2170mm</p>	<p>-ST 1</p>  		



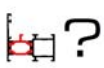
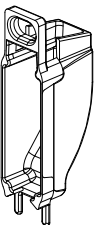


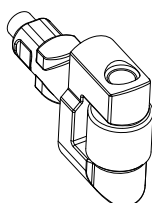


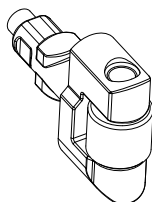


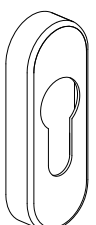

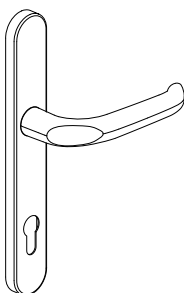


► TOEBEHOREN / ACCESSOIRES / ACCESSORY

				
	<p>A-BS-365L A-BS-365R</p> <p>Lange slotplaat-2,5mm Gâche filante 2,5mm Lock plate long 2,5mm</p> <p>2470mm</p>	<p>-ST 1</p>  		
	<p>A-BS-372L A-BS-372R</p> <p>Slotplaat midden 5,5mm Gâche milieu 5,5mm Lockplate centre 5,5mm</p>	<p>-ST 1</p> 		
	<p>A-BS-373</p> <p>Slotplaat boven-onder 5,5mm Gâche haute-base 5,5mm Lockplate top-bottom 5,5mm</p>	<p>-ST 1</p> 		
	<p>A-BS-374L A-BS-374R</p> <p>Lange slotplaat-5,5mm Gâche filante 5,5mm Lock plate long 5,5mm</p> <p>2170mm</p>	<p>-ST 1</p> 		
	<p>A-BS-375L A-BS-375R</p> <p>Lange slotplaat-5,5mm Gâche filante 5,5mm Lock plate long 5,5mm</p> <p>2470mm</p>	<p>-ST 1</p> 		

➤ TOEBEHOREN / ACCESSOIRES / ACCESSORY

				
	<p>A-BS-382L A-BS-382R</p> <p>Slotplaat midden 8,5mm Gâche milieu 8,5mm Lockplate centre 8,5mm</p>	-ST 1 		
	<p>A-BS-383</p> <p>Slotplaat boven-onder 8,5mm Gâche haute-base 8,5mm Lockplate top-bottom 8,5mm</p>	-ST 1 		
	<p>A-BS-384L A-BS-384R</p> <p>Lange slotplaat-8,5mm Gâche filante 8,5mm Lock plate long 8,5mm</p> <p>2170mm</p>	-ST 1 		
	<p>A-BS-385L A-BS-385R</p> <p>Lange slotplaat-8,5mm Gâche filante 8,5mm Lock plate long 8,5mm</p> <p>2470mm</p>	-ST 1 		
	<p>A-BS-390</p> <p>Elektrische deuropener Ouvre-porte électrique Ouvre-porte électrique</p>	-ST 1 		



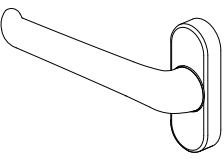


► TOEBEHOREN / ACCESSOIRES / ACCESSORY

				
	<p>A-BS-392</p> <p>Kunststof kastje voor slotplaat midden Boîtier nylon pour gâche milieu Pvc-frame for lockplate centre</p>	-ST 1 		
	<p>A-BS-395</p> <p>Rolschieter voor doornmaat 35mm Rouleau pour entrée 35mm Roller bolt for backset 35mm</p>	-ST 1 		
	<p>A-BS-398</p> <p>Rolschieter voor doornmaat 40mm Rouleau pour entrée 40mm Roller bolt for backset 40mm</p>	-ST 1 		
	<p>A-BS-800</p> <p>Rozette voor cilinder binnen Plaque entrée de cylindre interieur Cylinder covering inside</p> <p>Horizon</p>	-ST 1 		
	<p>A-BS-801</p> <p>Deurkruk binnen met langschild Béquille intérieure avec plaque longue handle inside with long plate</p> <p>Horizon - 60mm</p>	-ST 1 		



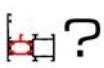













➤ TOEBEHOREN / ACCESSOIRES / ACCESSORY

				
	<p>A-BS-802</p> <p>Deurkruk buiten met langschild Béquille extérieure avec plaque longue handle outside with long plate</p> <p>Horizon - 60mm</p>	-ST 1 		
	<p>A-BS-803</p> <p>Deurkruk buiten met langschild Béquille extérieure avec plaque longue handle outside with long plate</p> <p>Horizon - 60mm</p>	-ST 1 		
	<p>A-BS-804</p> <p>Rolluikkruk buiten Béquille réduite extérieur Rolling shutter handle outside</p> <p>Horizon - 18mm</p>	-ST 1 		
	<p>A-BS-805</p> <p>Deurkruk buiten met langschild Béquille extérieure avec plaque longue handle outside with long plate</p> <p>Horizon - 45mm</p>	-ST 1 		
	<p>A-BS-810</p> <p>Deurkruk binnen Béquille intérieure handle inside</p> <p>Horizon - 60mm</p>	-ST 1 		



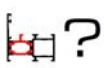













► TOEBEHOREN / ACCESSOIRES / ACCESSORY

				
	<p>A-BS-811</p> <p>Deurkruk buiten Béquille extérieure handle outside</p> <p>Horizon - 60mm</p>	<p>-ST 1</p> 		
	<p>A-BS-812</p> <p>Rolluikkruk buiten Béquille réduite extérieur Rolling shutter handle outside</p> <p>Horizon - 18mm</p>	<p>-ST 1</p> 		
	<p>A-BS-813</p> <p>Deurkruk buiten Béquille extérieure handle outside</p> <p>Horizon - 45mm</p>	<p>-ST 1</p> 		
	<p>A-BL-001</p> <p>Buitenkruk met langschild Béquille extérieure avec plaque longue Handle outside with long plate</p> <p>SKG</p>	<p>-ST 1</p> 		
	<p>A-BL-001A</p> <p>Buitenkruk met langschild Béquille extérieure avec plaque longue Handle outside with long plate</p> <p>SKG</p>	<p>-ST 1</p> 	AN	



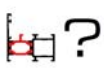
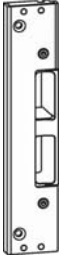











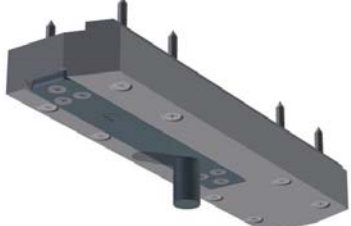


➤ TOEBEHOREN / ACCESSOIRES / ACCESSORY

				
	<p>A-BL-002</p> <p>Binnenkruk met langschild Béquille intérieure avec plaque longue Handle inside with long plate</p> <p>SKG</p>	-ST 1 		
	<p>A-BL-002A</p> <p>Binnenkruk met langschild Béquille intérieure avec plaque longue Handle inside with long plate</p> <p>SKG</p>	-ST 1 	AN	
	<p>A-BL-003</p> <p>Rolluikkruk met langschild Béquille réduite exterieur avec plaque longue Rolling shutter handle with long plate</p> <p>SKG</p>	-ST 1 		
	<p>A-BL-003A</p> <p>Rolluikkruk met langschild Béquille réduite exterieur avec plaque longue Rolling shutter handle with long plate</p> <p>SKG</p>	-ST 1 	AN	
	<p>A-BL-004</p> <p>Buitenkruk met langschild Béquille extérieure avec plaque longue Handle outside with long plate</p>	-ST 1 		

► TOEBEHOREN / ACCESSOIRES / ACCESSORY

				
	<p>A-BL-004A</p> <p>Buitenkruk met langschild Béquille extérieure avec plaque longue Handle outside with long plate</p>	-ST 1 	AN	
	<p>A-BL-005</p> <p>Binnenkruk met klink-langschild Béquille intérieure avec plaque longue Handle inside with long plate</p>	-ST 1 		
	<p>A-BL-005A</p> <p>Binnenkruk met klink-langschild Béquille intérieure avec plaque longue Handle inside with long plate</p>	-ST 1 	AN	
	<p>A-BR-729727</p> <p>Slotplaat midden Links Gâche centrale Gauche Central lockplate Left</p>	-ST 1 		
	<p>A-BR-729728</p> <p>Slotplaat midden Rechts Gâche centrale Droite Central lockplate Right</p>	-ST 1 		

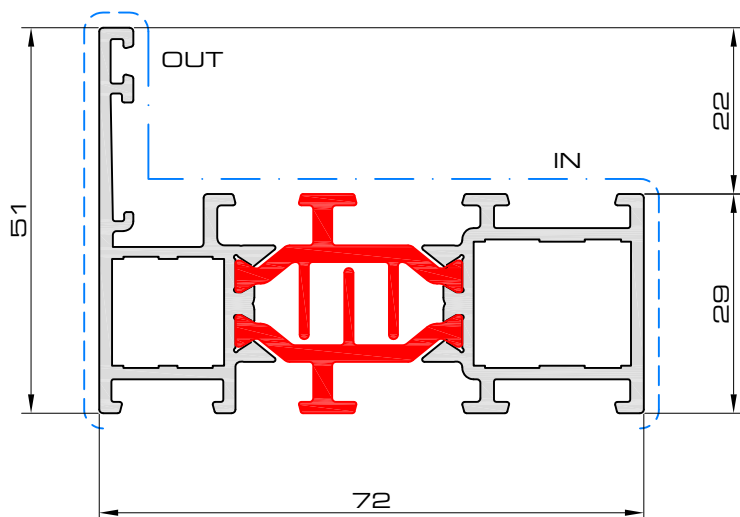
➤ TOEBEHOREN / ACCESSOIRES / ACCESSORY





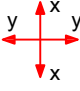
				
	<p>A-BR-729733</p> <p>Slotplaat onder/boven Gâche haut/basse Lockplate below and above</p>	-ST 1 		
	<p>A-BR-787900</p> <p>5 puntslot met haak en pen 20 / 65 Serrure 5-points à crochet et pêne 20 / 65 5 point lock with pen 20 / 65</p>	-ST 1 		
	<p>A-BZ-001</p> <p>Ondersteun + bevestiging onderzijde vleugel taatsdeur Bras du bas Bottomstrap</p>	-ST 1 		
	<p>A-BZ-002</p> <p>Lagerblok vleugel taatsdeur + fix Pivot Haute + fix Top Bearing + fix</p>	-ST 1 		
	<p>A-BZ-003L</p> <p>Blok vaste kader Taatsdeur + bevest. Links Pivot du haute réglable + fix Gauche Adjustable top centre + fix Left</p>	-ST 1 		

► TOEBEHOREN / ACCESSOIRES / ACCESSORY

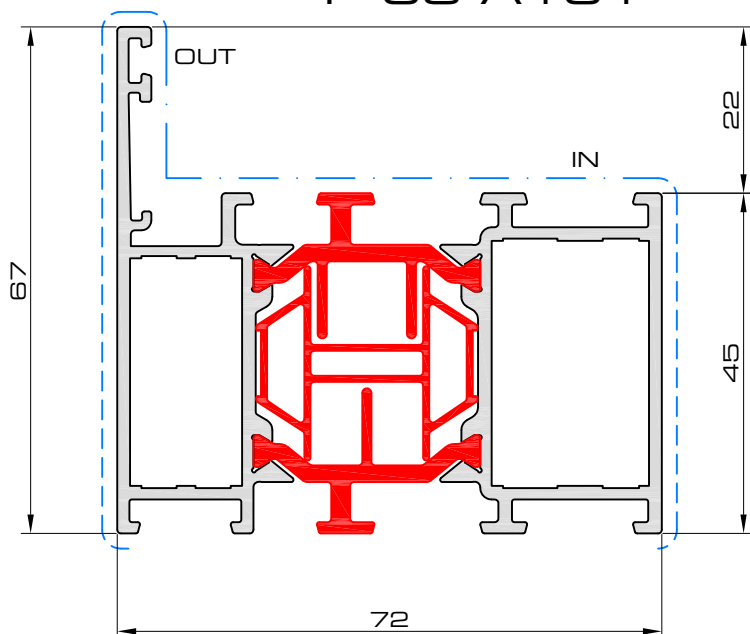
			
 <p>A-BZ-003R</p> <p>Blok vaste kader Taatsdeur + bevest. Rechts Pivot du haute réglable + fix Droite Adjustable top centre + fix Right</p>	<p>-ST 1</p> 		
 <p>A-BZ-004</p> <p>Draailager max 300kg Faux pivot max 300kg Floor pivot bearing max 300kg</p>	<p>-ST 1</p> 		
 <p>A-BZ-005</p> <p>Verstelbare bovenspeun Pivot du haute réglable Adjustable top centre</p>	<p>-ST 1</p> 		
 <p>A-BZ-006</p> <p>Onderspeun Bras du bas Bottomstrap</p>	<p>-ST 1</p> 		





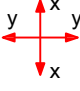
P-03-A100



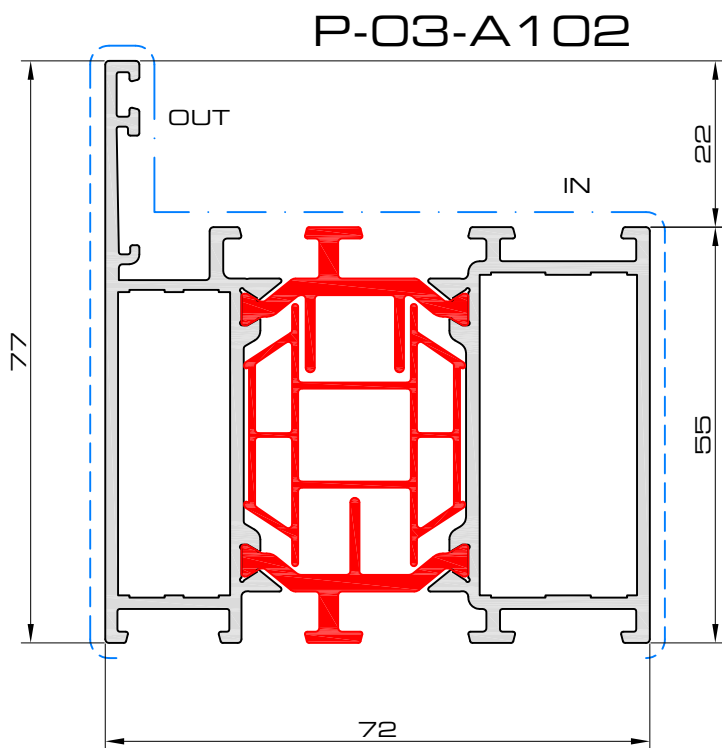
	OUT	IN
	A-PH-1415	A-PH-1621
	A-SH-1415	A-SH-1621
	A-TV-067	A-TV-001
	A-VH-1415	A-VH-1621
	$I_x = 30.29\text{cm}^4$ $I_y = 6.23\text{cm}^4$ $W_x = 7.64\text{cm}^3$ $W_y = 1.85\text{cm}^3$	

P-03-A101

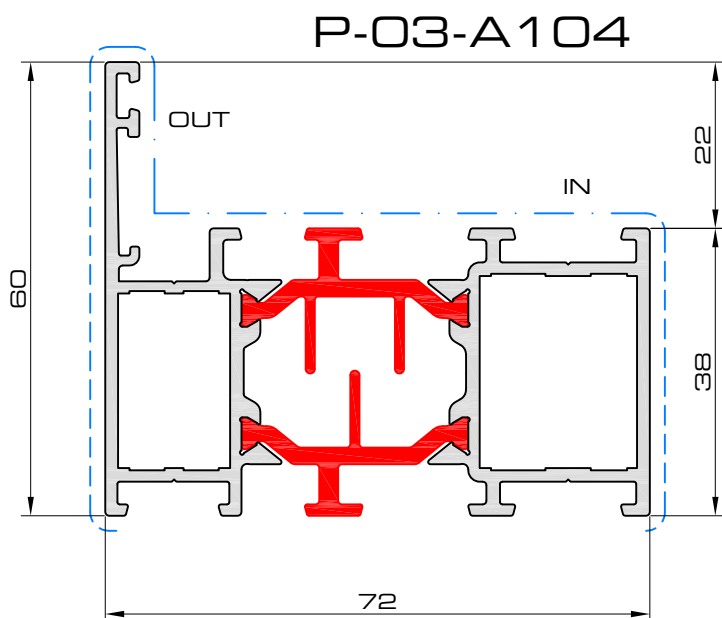


	OUT	IN
	A-PH-3015	A-PH-3221
	A-SH-3015	A-SH-3221
	A-TV-068	A-TV-002
	A-VH-3015	A-VH-3221
	$I_x = 38.6\text{cm}^4$ $I_y = 16.11\text{cm}^4$ $W_x = 9.84\text{cm}^3$ $W_y = 3.89\text{cm}^3$	

prof1



		OUT	IN
	P	A-PH-4015	A-PH-4221
	S	A-SH-4015	A-SH-4221
	TV	A-TV-069	A-TV-003
	V	A-VH-4015	A-VH-4221
		$I_x = 43.71\text{cm}^4$ $I_y = 25.81\text{cm}^4$ $W_x = 11.2\text{cm}^3$ $W_y = 5.57\text{cm}^3$	

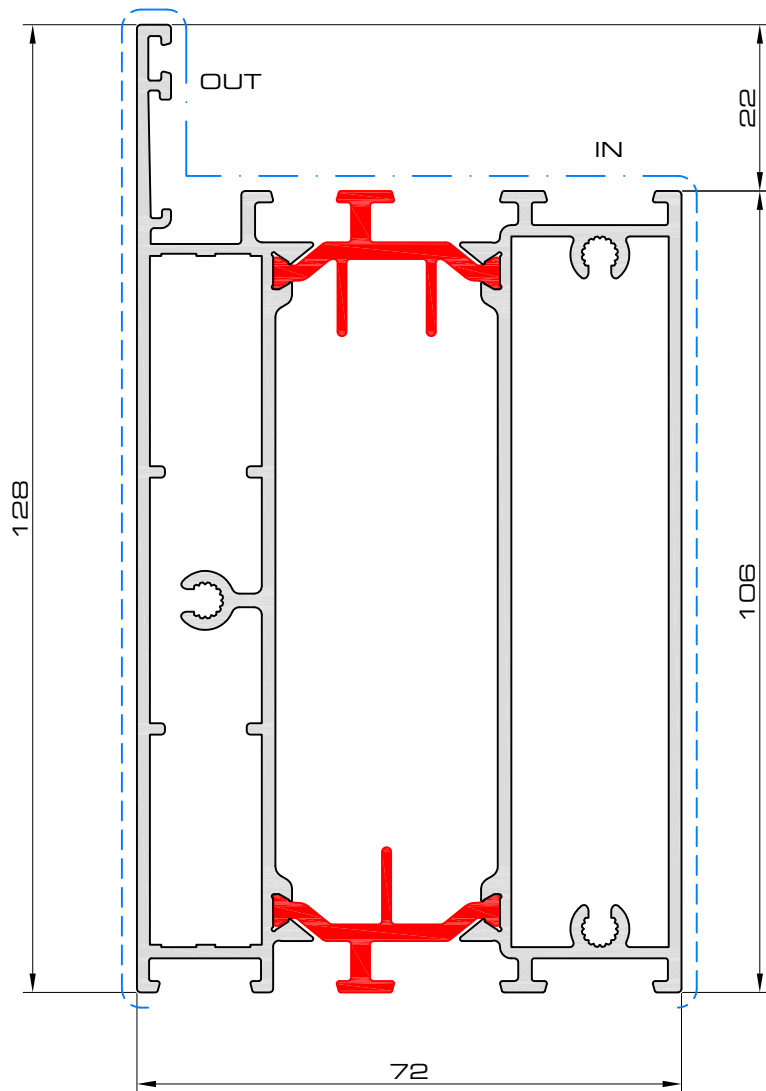


		OUT	IN
	P	A-PH-2314	A-PH-2520
	S	A-SH-2314	A-SH-2520
	TV	A-TV-075	A-TV-014
		$I_x = 34.99\text{cm}^4$ $I_y = 10.99\text{cm}^4$ $W_x = 8.89\text{cm}^3$ $W_y = 2.89\text{cm}^3$	

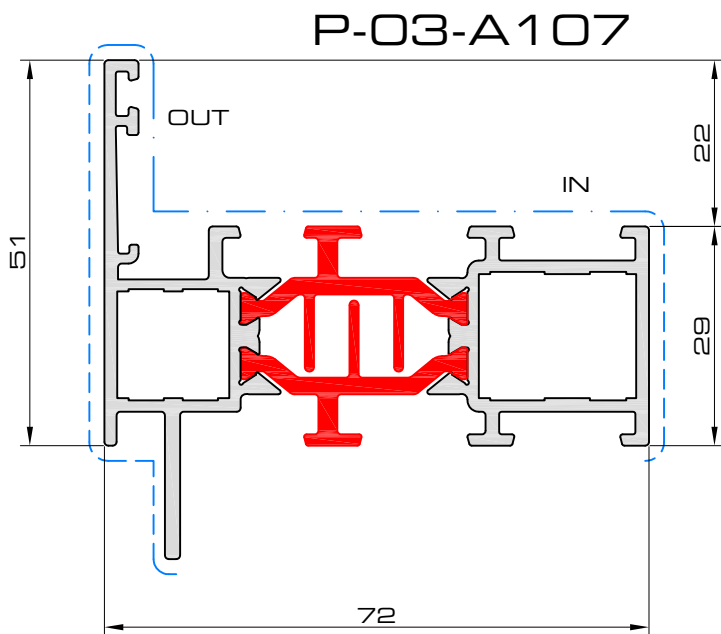
prof2




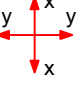


P-03-A103



	$I_x = 74.8\text{cm}^4$
	$I_y = 138.5\text{cm}^4$
	$W_x = 19.39\text{cm}^3$
	$W_y = 19.25\text{cm}^3$

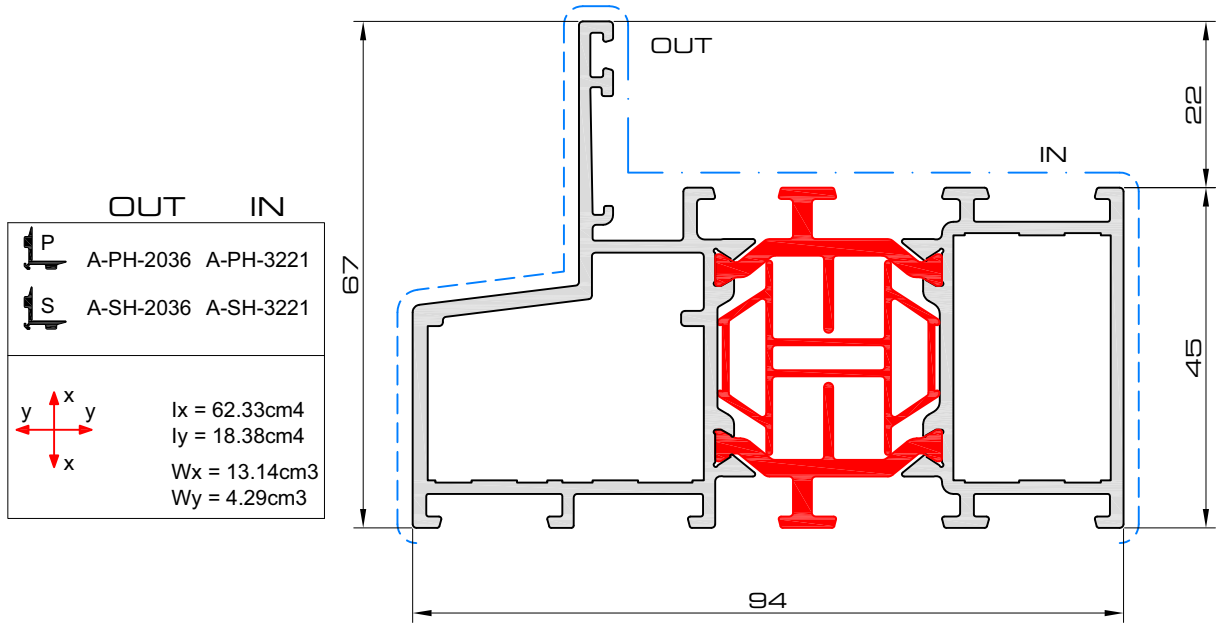


	OUT	IN
 P	A-PH-1415	A-PH-1621
 S	A-PH-1415	A-SH-1621
 V	-	-
	$I_x = 31.91\text{cm}^4$ $I_y = 7.96\text{cm}^4$ $W_x = 7.75\text{cm}^3$ $W_y = 2.27\text{cm}^3$	

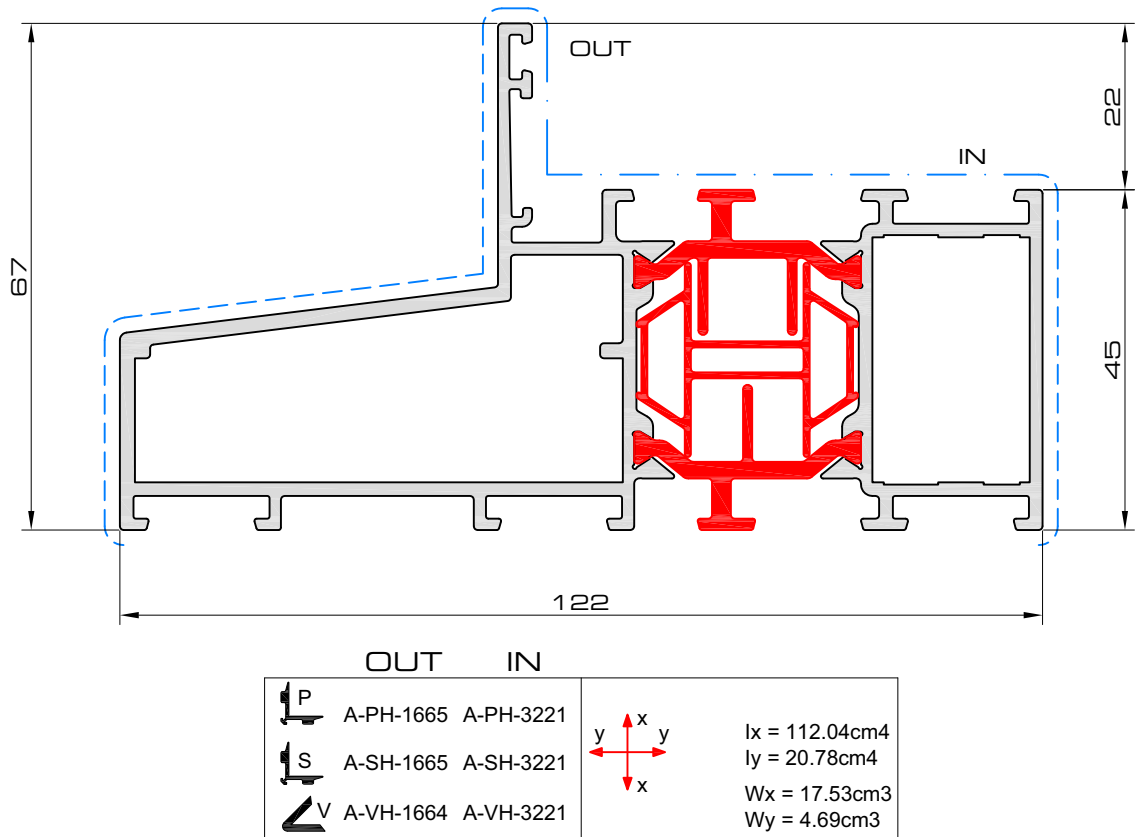
prof52



P-03-A108



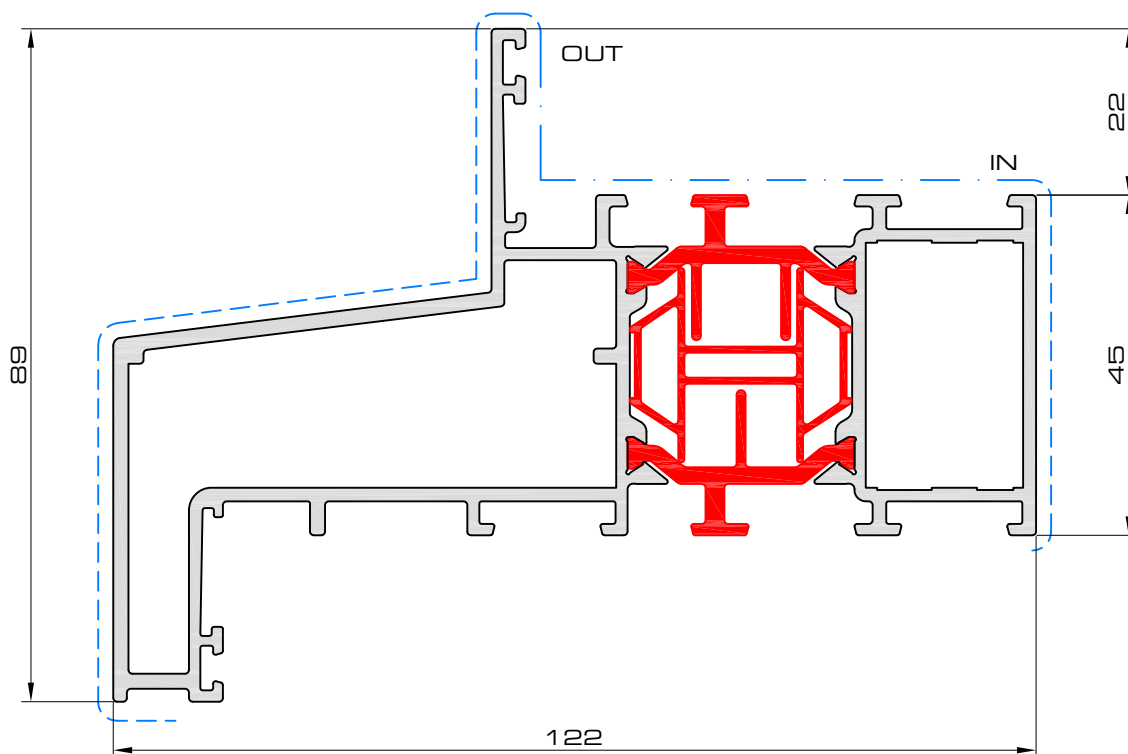
P-03-A109





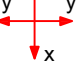


prof3



P-03-A110

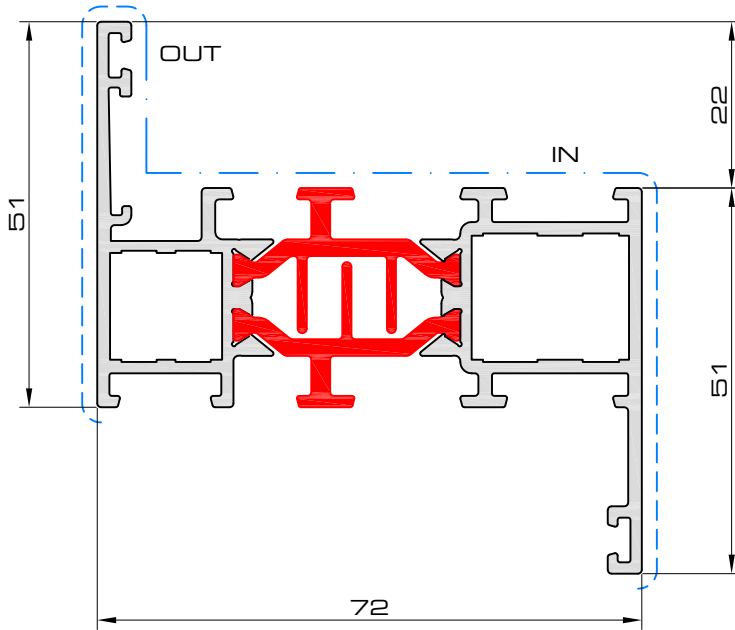


	OUT	IN
 P	A-PH-1665	A-PH-3221
 S	A-SH-1662	A-SH-3221
	-	-
 V	A-VH-1664	A-VH-3221
	$I_x = 140.73\text{cm}^4$ $I_y = 33.03\text{cm}^4$ $W_x = 21.81\text{cm}^3$ $W_y = 6.81\text{cm}^3$	

prof19

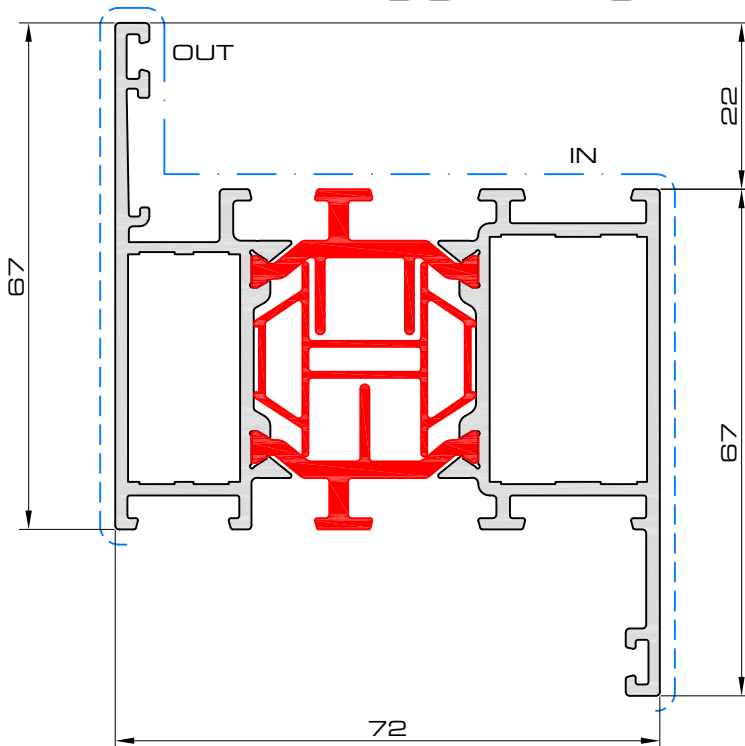


P-03-A111



	OUT	IN
	A-PH-1415	A-PH-1621
	A-SH-1415	A-SH-1621
	A-TV-067	A-TV-001
	A-VH-1415	A-VH-1621
	$I_x = 36.72\text{cm}^4$ $I_y = 10.28\text{cm}^4$ $W_x = 10.15\text{cm}^3$ $W_y = 2.81\text{cm}^3$	

P-03-A113

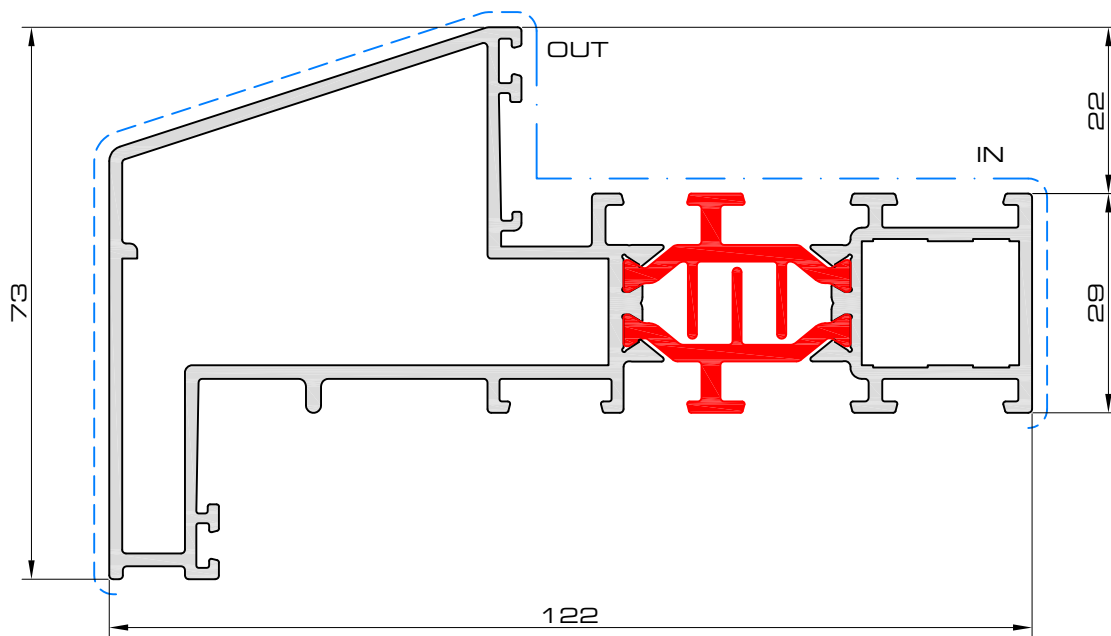






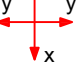
	OUT	IN
	A-PH-3015	A-PH-3221
	A-SH-3015	A-SH-3221
	A-TV-068	A-TV-002
	A-VH-3015	A-VH-3221
	$I_x = 45.02\text{cm}^4$ $I_y = 22.71\text{cm}^4$ $W_x = 12.45\text{cm}^3$ $W_y = 5.10\text{cm}^3$	

prof50

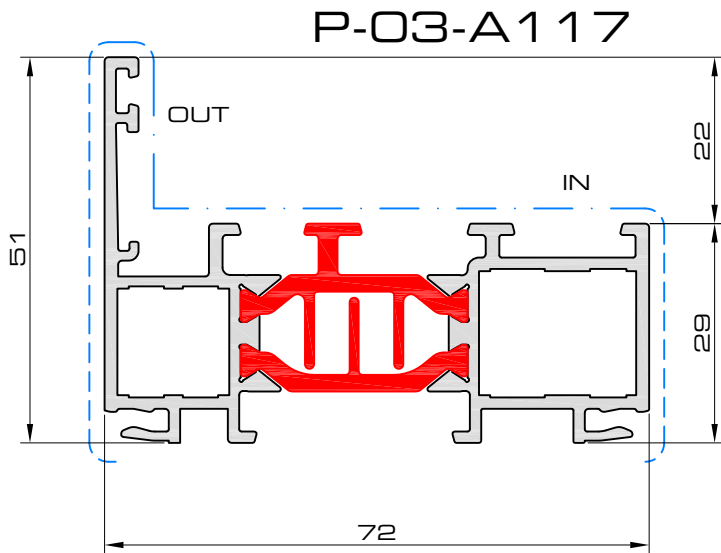




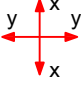
P-03-A115

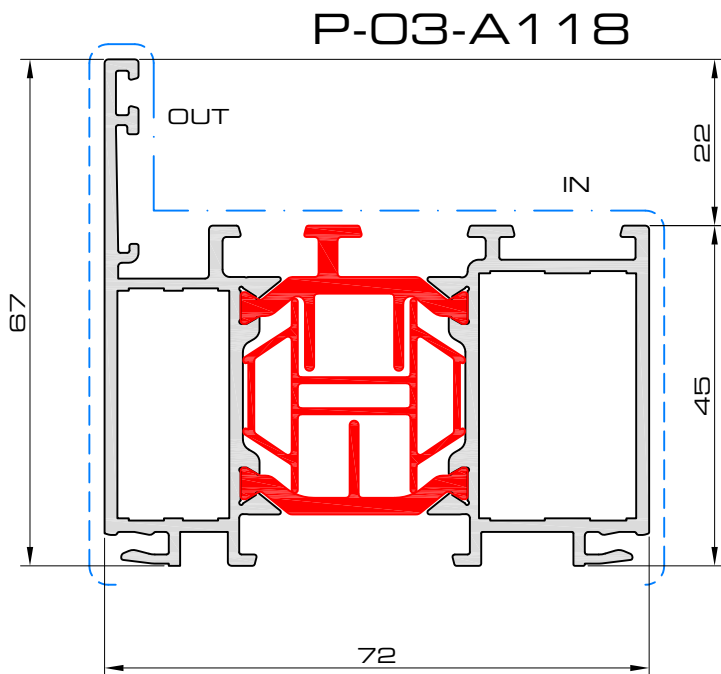




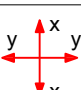
	OUT	IN
 P	A-PH-1464	A-PH-1621
 S	A-SH-1465	A-SH-1621
	-	-
 V	-	-
	$I_x = 122.02\text{cm}^4$ $I_y = 23.2\text{cm}^4$ $W_x = 17.83\text{cm}^3$ $W_y = 6.26\text{cm}^3$	

prof20

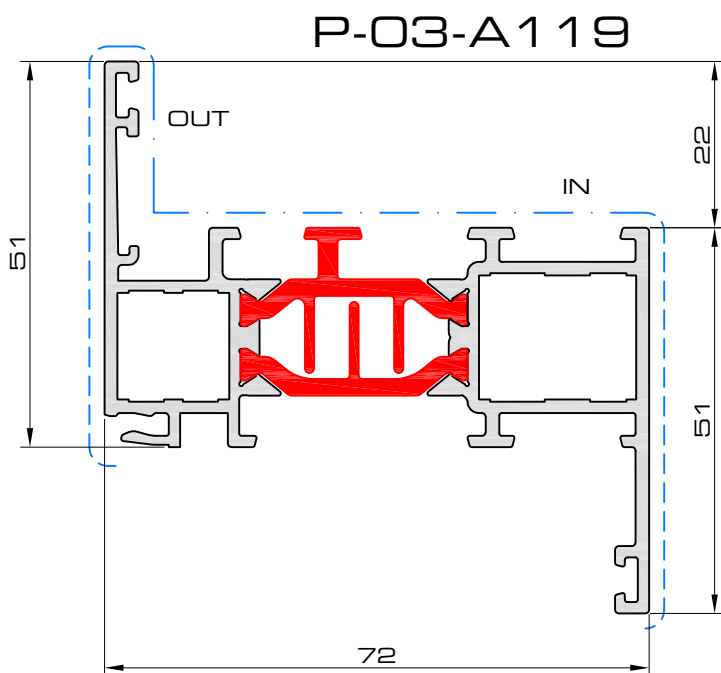


	OUT	IN
 P	A-PH-1415	A-PH-1621
 S	A-SH-1415	A-SH-1620
	$I_x = 30.28\text{cm}^4$ $I_y = 6.41\text{cm}^4$ $W_x = 7.58\text{cm}^3$ $W_y = 1.9\text{cm}^3$	



	OUT	IN
 P	A-PH-3015	A-PH-3221
 S	A-SH-3015	A-SH-3220
	$I_x = 38.61\text{cm}^4$ $I_y = 16.54\text{cm}^4$ $W_x = 9.78\text{cm}^3$ $W_y = 3.96\text{cm}^3$	

prof56



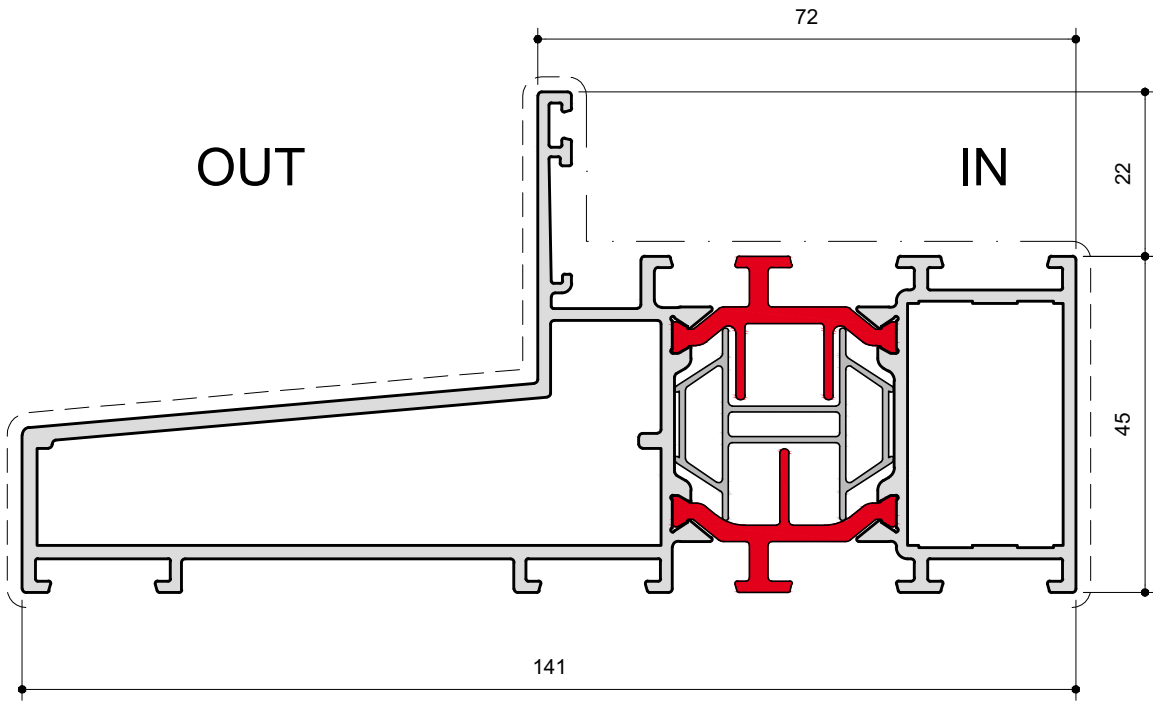
		OUT	IN
		A-PH-1415	A-PH-1621
	$I_x = 36.96\text{cm}^4$ $I_y = 10.41\text{cm}^4$ $W_x = 10.23\text{cm}^3$ $W_y = 2.83\text{cm}^3$		

prof57



---	Primary surface
- - - -	Secondary surface

	OUT	IN
	A-PH-1383	A-PH-3221
	A-SH-1383	A-SH-3221

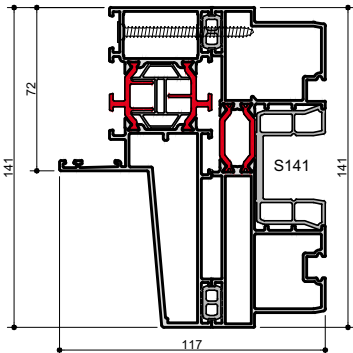


PROFILE SECTION

P-03-A120

	180	mm		596	mm
I_x	156,6	cm ⁴	W_x	20,5	cm ³
I_y	21,4	cm ⁴	W_y	4,7	cm ³

L [m] 6,5

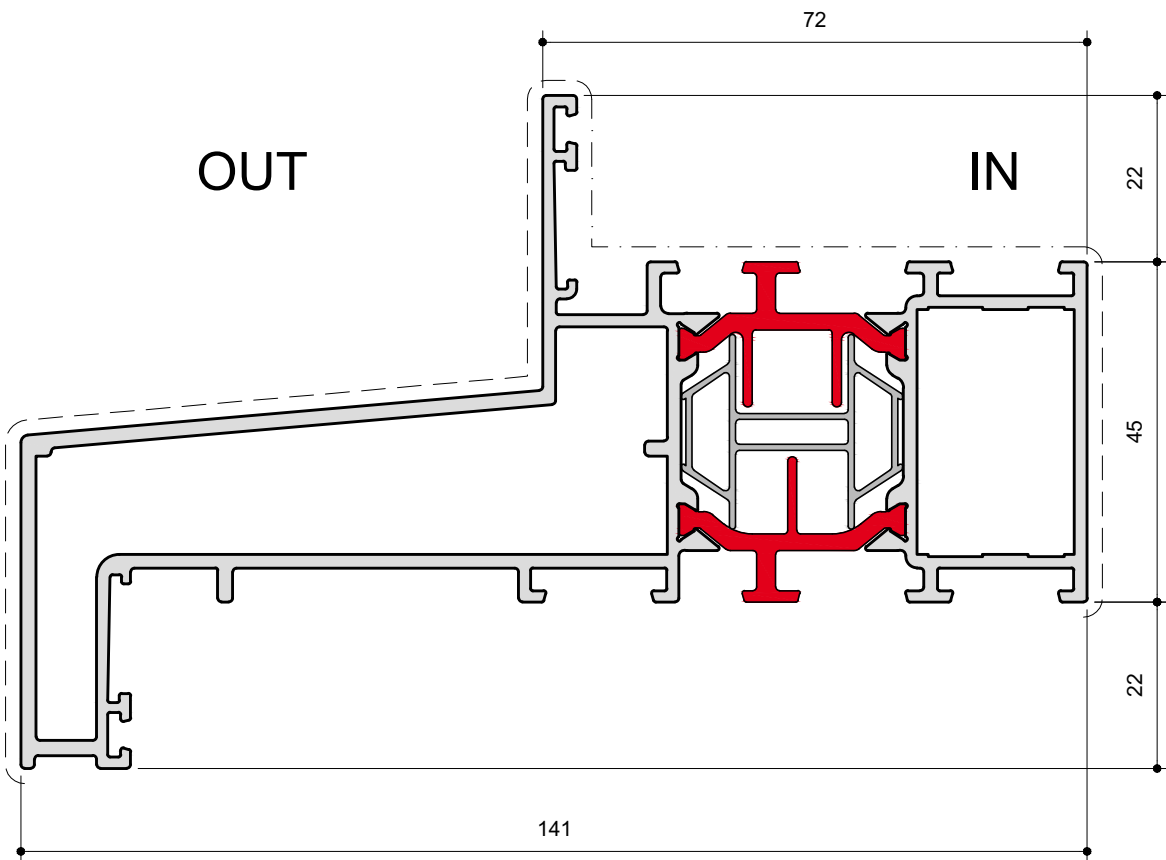


p03



---	Primary surface
- - - -	Secondary surface

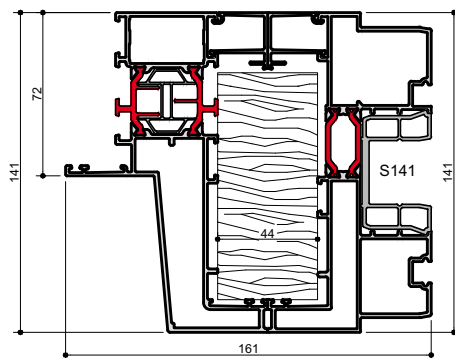
	OUT	IN
	A-PH-1383	A-PH-3221
	A-SH-1383	A-SH-3221



P-03-A121

	202	mm		654	mm
I_x	199,3	cm ⁴	W_x	27,6	cm ³
I_y	33,1	cm ⁴	W_y	6,7	cm ³

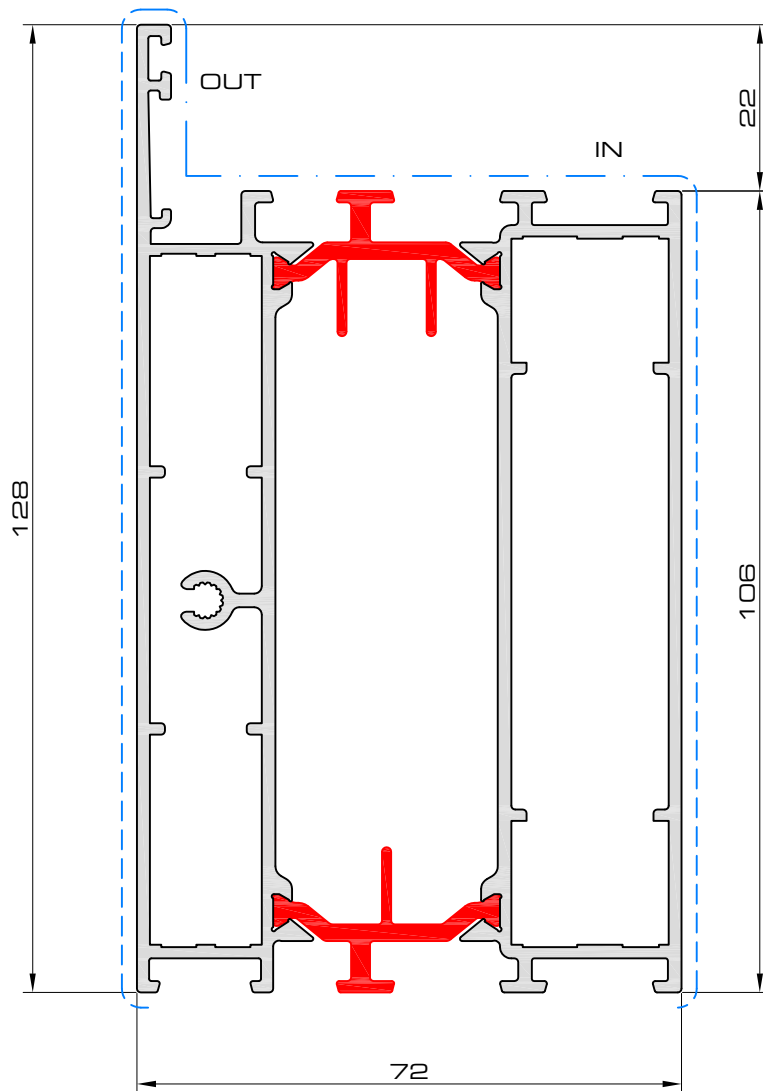
L [m] 6,5


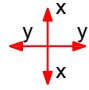


p03



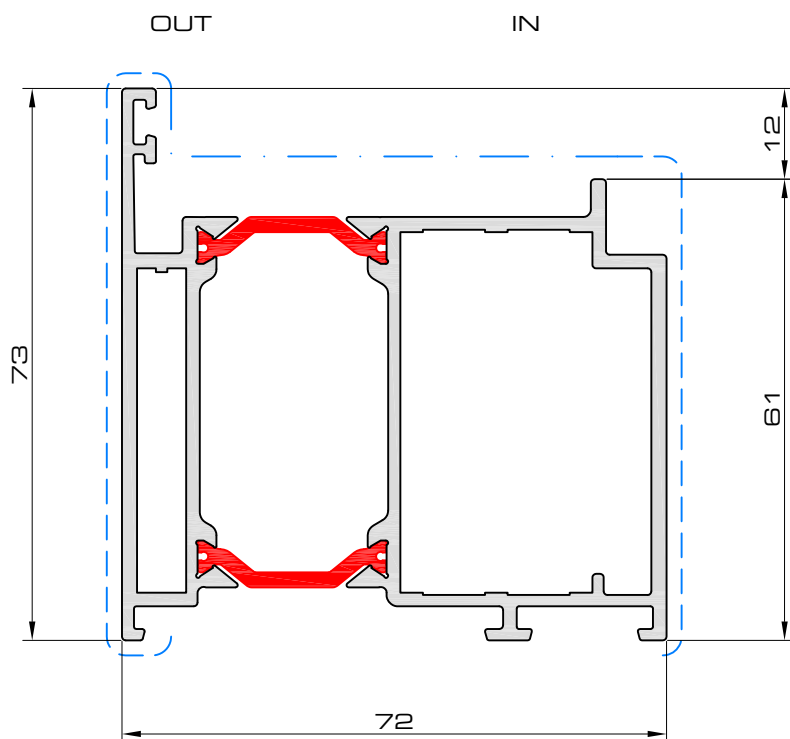
P-03-A123



	OUT	IN
 A-TV-065	A-TV-001	
	$I_x = 73.1 \text{ cm}^4$ $I_y = 132.9 \text{ cm}^4$ $W_x = 18.66 \text{ cm}^3$ $W_y = 18.49 \text{ cm}^3$	

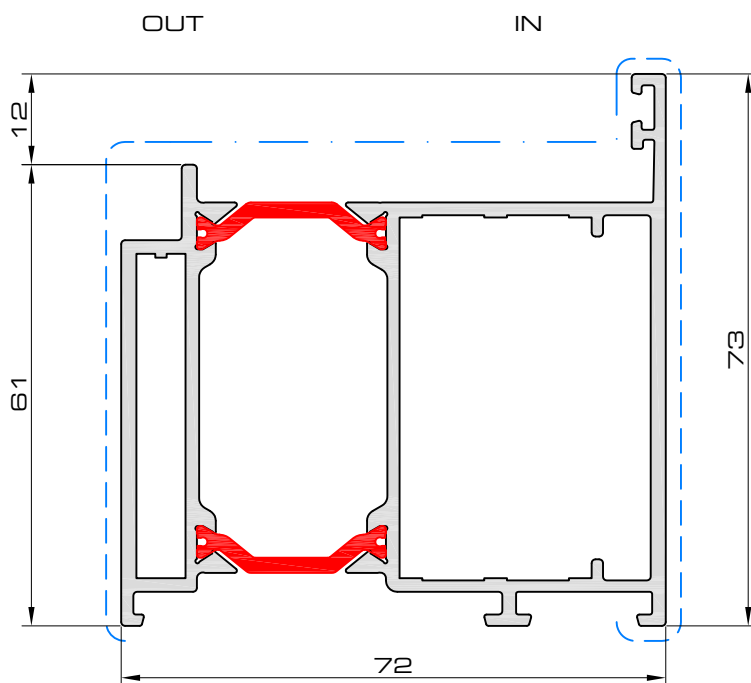


P-03-124R2



	OUT	IN
	A-PH-4206	A-PH-4725
	A-PH-4206	A-SH-4724
	-	-
	-	-
	$I_x = 46.76\text{cm}^4$ $I_y = 27.76\text{cm}^4$ $W_x = 11.63\text{cm}^3$ $W_y = 6.67\text{cm}^3$	

P-03-125R2

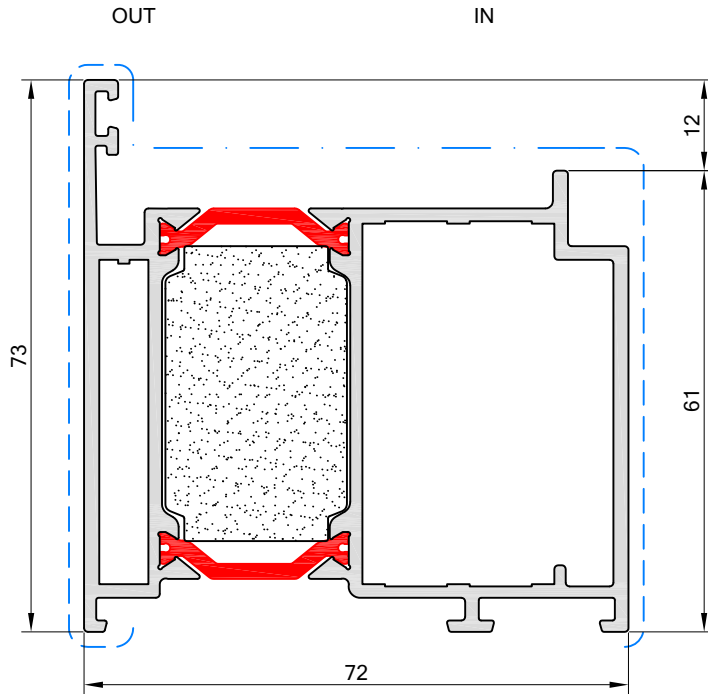


	OUT	IN
	A-PH-4206	A-PH-4725
	A-PH-4206	A-SH-4724
	-	-
	-	-
	$I_x = 47.6\text{cm}^4$ $I_y = 27.85\text{cm}^4$ $W_x = 13.15\text{cm}^3$ $W_y = 6.68\text{cm}^3$	

prof34r2

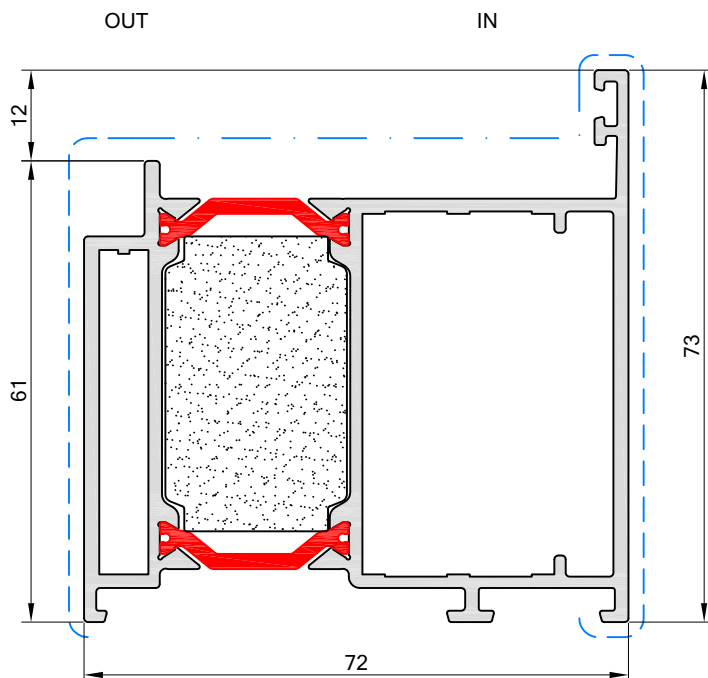


P-03-M124R2



	OUT	IN
	A-PH-4206	A-PH-4725
	A-PH-4206	A-SH-4724
	-	-
	-	-
	$I_x = 46.76\text{cm}^4$ $I_y = 27.76\text{cm}^4$ $W_x = 11.63\text{cm}^3$ $W_y = 6.67\text{cm}^3$	

P-03-M125R2

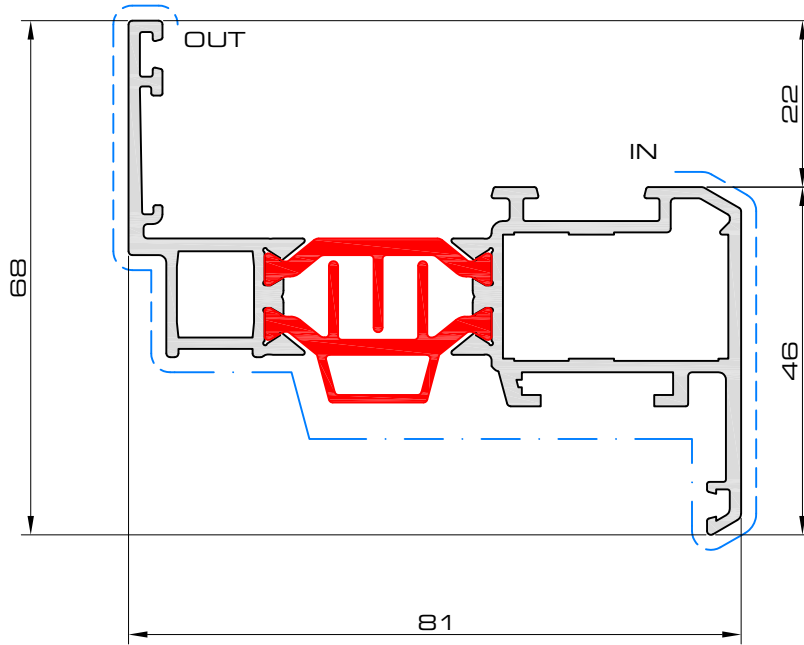


	OUT	IN
	A-PH-4206	A-PH-4725
	A-PH-4206	A-SH-4724
	-	-
	-	-
	$I_x = 47.6\text{cm}^4$ $I_y = 27.85\text{cm}^4$ $W_x = 13.15\text{cm}^3$ $W_y = 6.68\text{cm}^3$	

prof34mr2

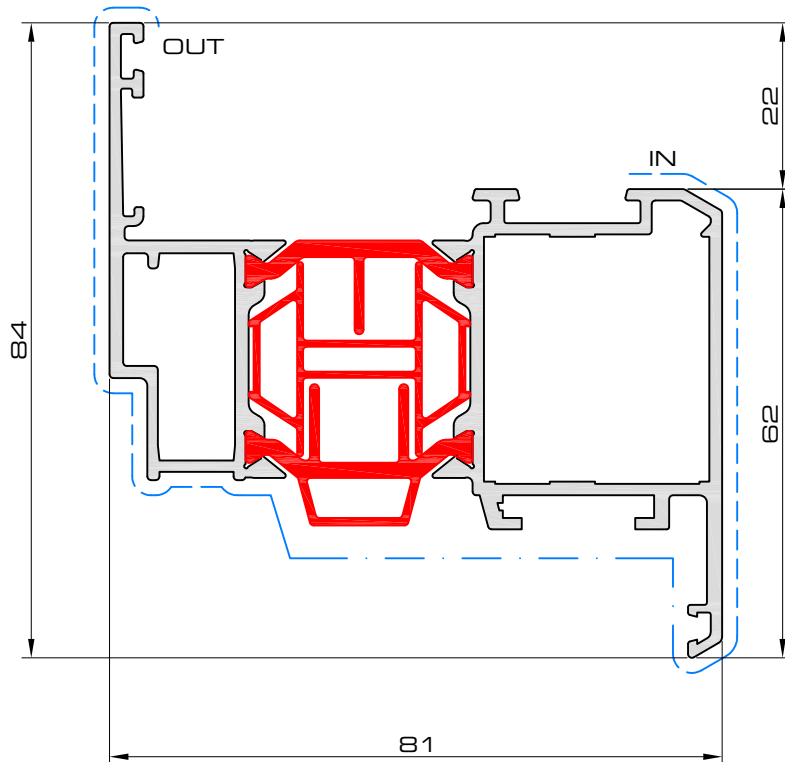


P-03-A200



	OUT	IN
	A-PH-1110	A-PH-1630
	A-SH-1110	A-SH-1630
	-	-
	A-VH-1110	A-VH-1630
	$I_x = 40.97\text{cm}^4$ $I_y = 8.41\text{cm}^4$ $W_x = 9.52\text{cm}^3$ $W_y = 2.4\text{cm}^3$	

P-03-A201

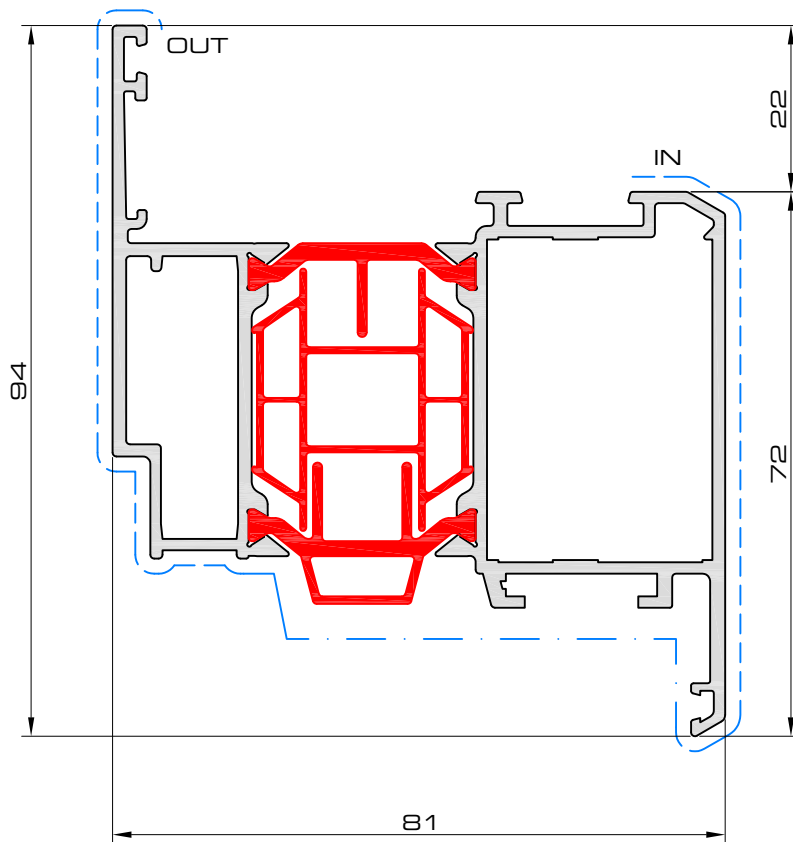





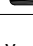
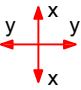
	OUT	IN
	A-PH-2710	A-PH-3230
	A-SH-2710	A-SH-3230
	-	-
	-	-
	$I_x = 52.89\text{cm}^4$ $I_y = 19.81\text{cm}^4$ $W_x = 12.85\text{cm}^3$ $W_y = 4.62\text{cm}^3$	

prof4



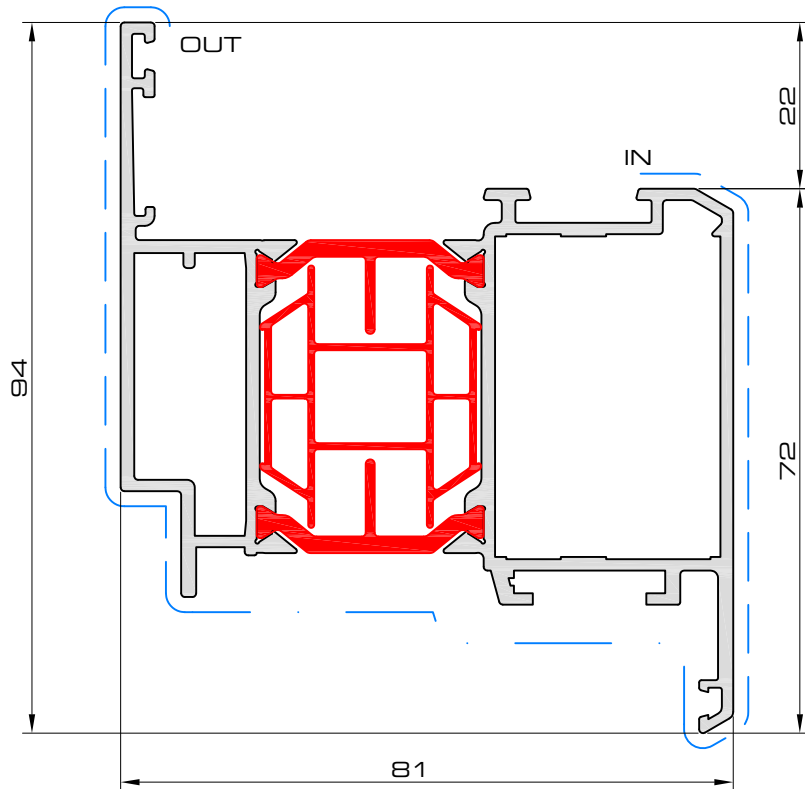
P-03-A202



	OUT	IN
 P	A-PH-3710	A-PH-4230
 S	A-SH-3710	A-SH-4230
 H	-	-
 V	-	-
	$I_x = 59.49\text{cm}^4$	$I_y = 30.73\text{cm}^4$
	$W_x = 14.64\text{cm}^3$	$W_y = 6.42\text{cm}^3$

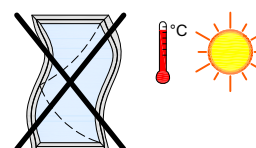
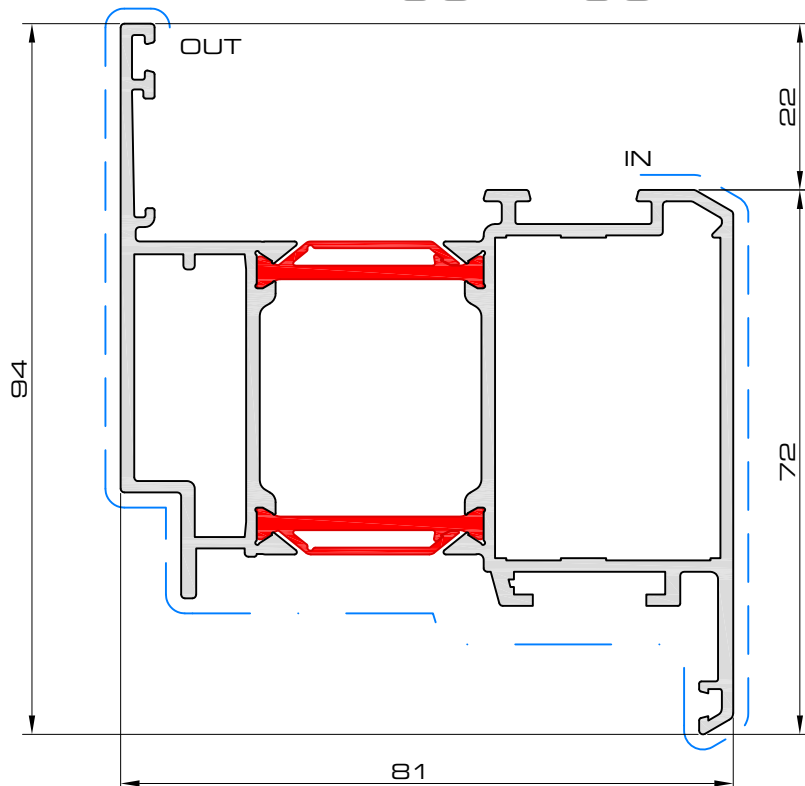


P-03-A203



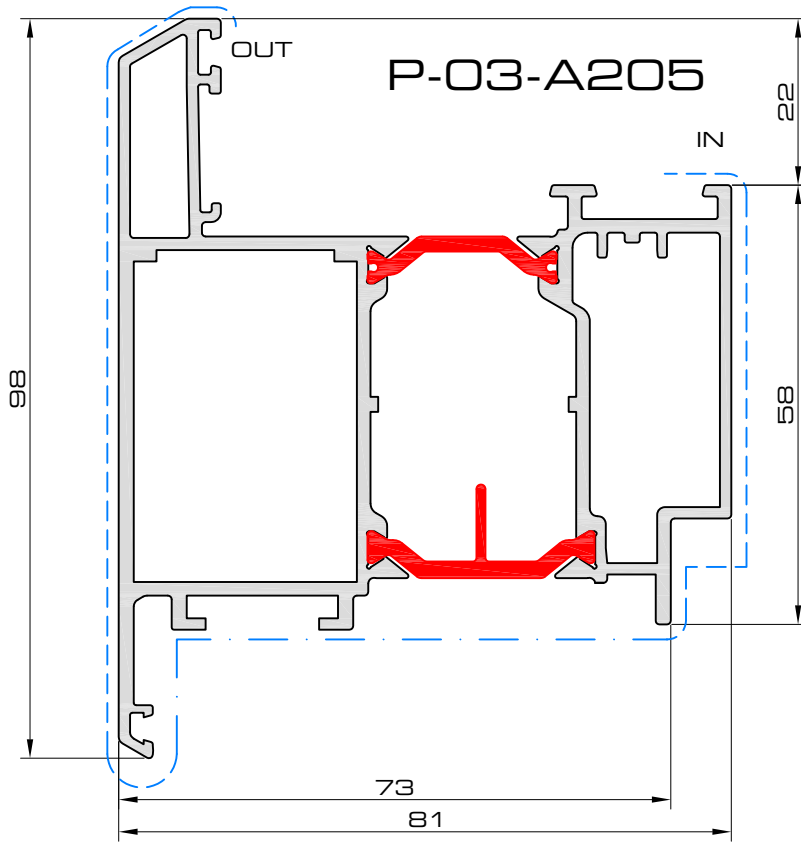
	OUT	IN
P	A-PH-3706	A-PH-4230
S	A-PH-3706	A-SH-4230
PH	-	-
V	-	-
	$I_x = 61.03\text{cm}^4$ $I_y = 31.48\text{cm}^4$ $W_x = 14.86\text{m}^3$ $W_y = 6.51\text{cm}^3$	

P-03-B203

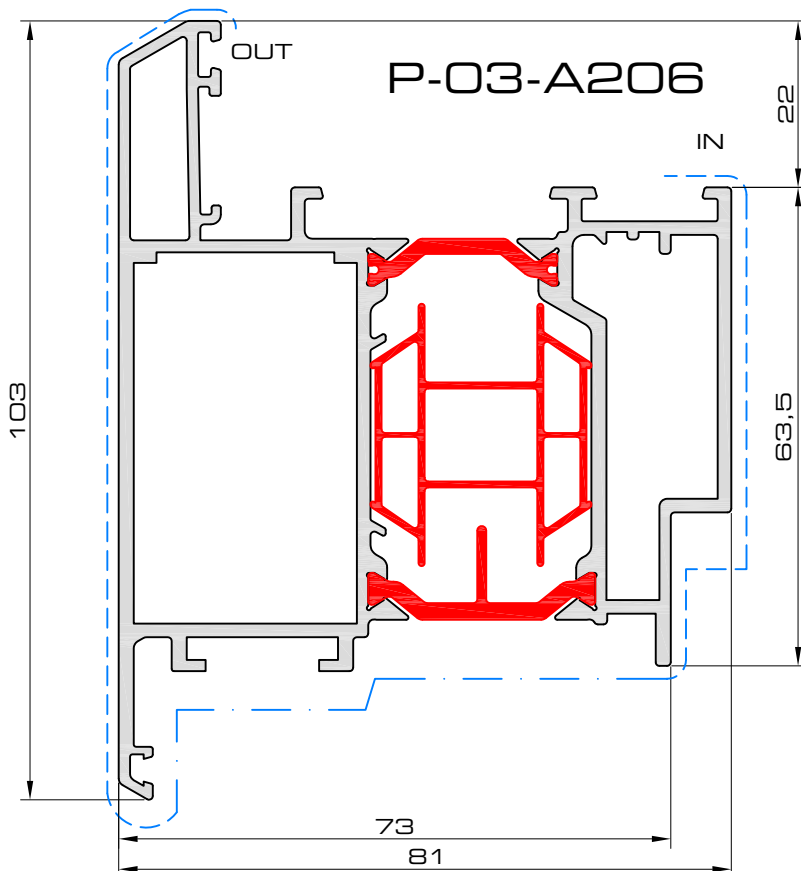


	OUT	IN
P	A-PH-3706	A-PH-4230
S	A-PH-3706	A-SH-4230
PH	-	-
V	-	-
	$I_x = 61.03\text{cm}^4$ $I_y = 31.48\text{cm}^4$ $W_x = 14.86\text{m}^3$ $W_y = 6.51\text{cm}^3$	

prof6

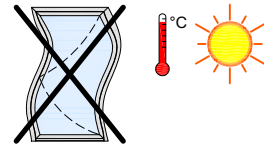
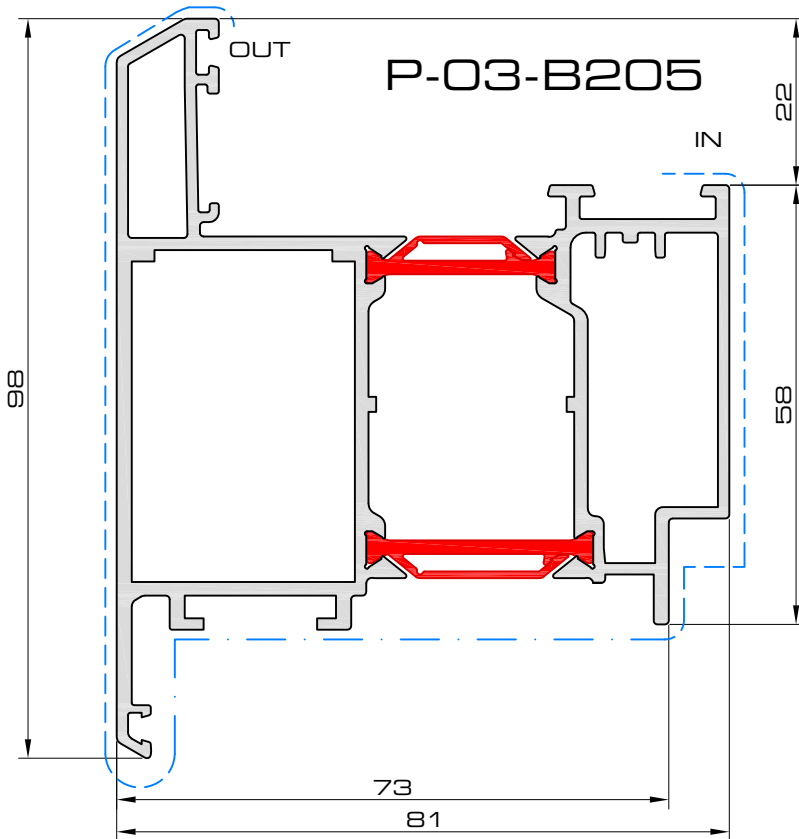


	OUT	IN
P	A-PH-4229	A-PH-4206
S	A-SH-4229	A-PH-4206
V	-	-
	$I_x = 66.15\text{cm}^4$ $I_y = 44.33\text{cm}^4$ $W_x = 14.14\text{cm}^3$ $W_y = 8.85\text{cm}^3$	

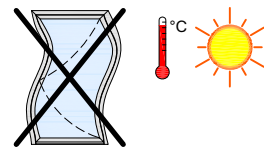
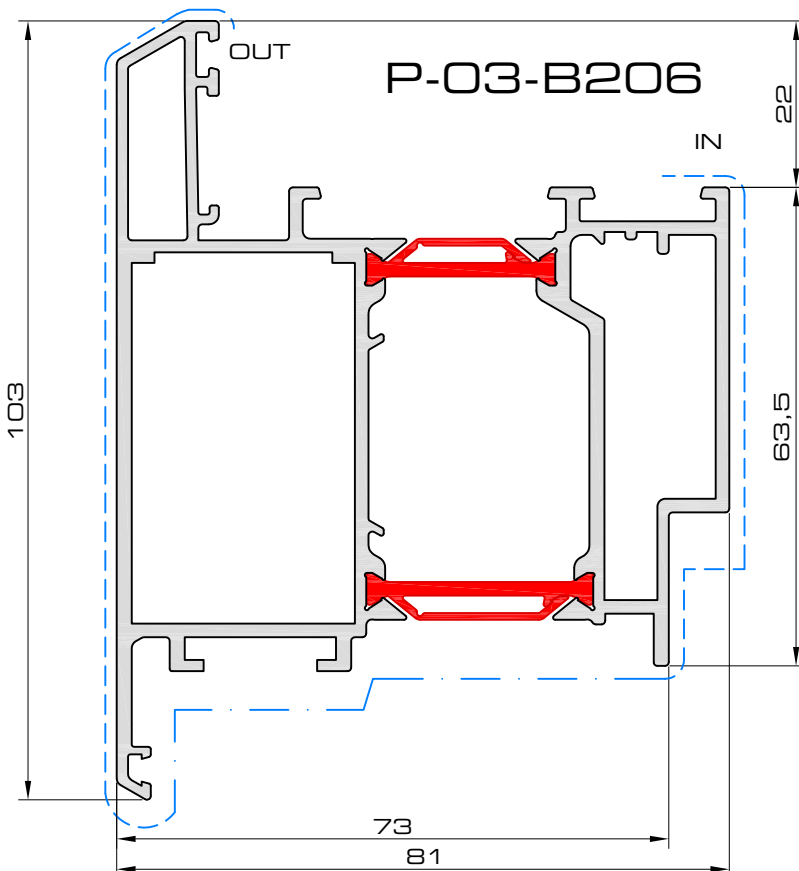


	OUT	IN
P	A-PH-4730	A-PH-4707
S	A-SH-4730	A-PH-4707
V	-	-
	$I_x = 72.13\text{cm}^4$ $I_y = 54.19\text{cm}^4$ $W_x = 15.72\text{cm}^3$ $W_y = 10.21\text{cm}^3$	

prof48

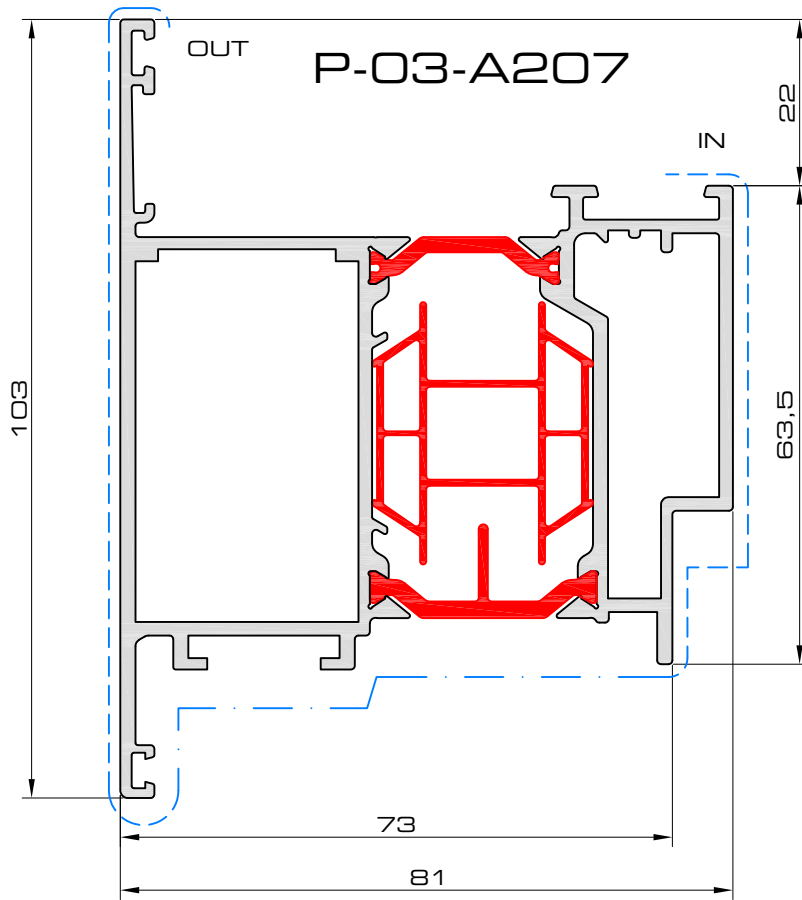


	OUT	IN
P	A-PH-4229	A-PH-4206
S	A-SH-4229	A-PH-4206
H	-	-
V	-	-
	$I_x = 66.15\text{cm}^4$ $I_y = 44.33\text{cm}^4$ $W_x = 14.14\text{cm}^3$ $W_y = 8.85\text{cm}^3$	

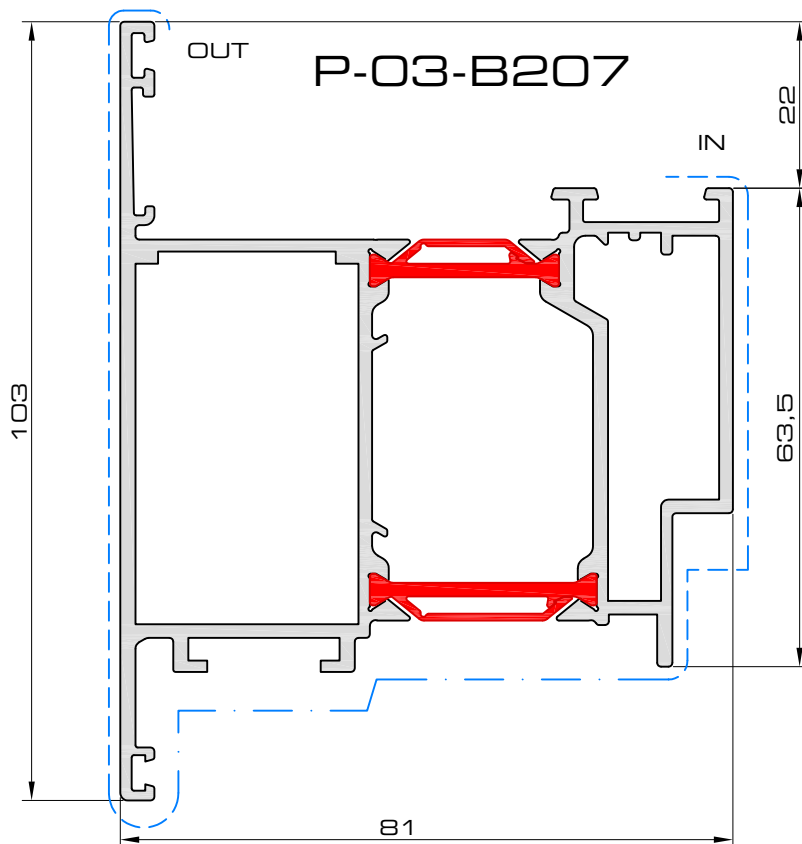
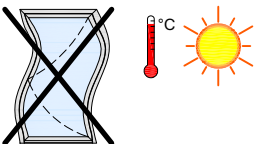


	OUT	IN
P	A-PH-4730	A-PH-4707
S	A-SH-4730	A-PH-4707
H	-	-
V	-	-
	$I_x = 72.13\text{cm}^4$ $I_y = 54.19\text{cm}^4$ $W_x = 15.72\text{cm}^3$ $W_y = 10.21\text{cm}^3$	

prof73



	OUT	IN
P	A-PH-4730	A-PH-4707
S	A-SH-4730	A-PH-4707
V	-	-
	$I_x = 70.33\text{cm}^4$ $I_y = 46.46\text{cm}^4$ $W_x = 15.77\text{cm}^3$ $W_y = 8.82\text{cm}^3$	

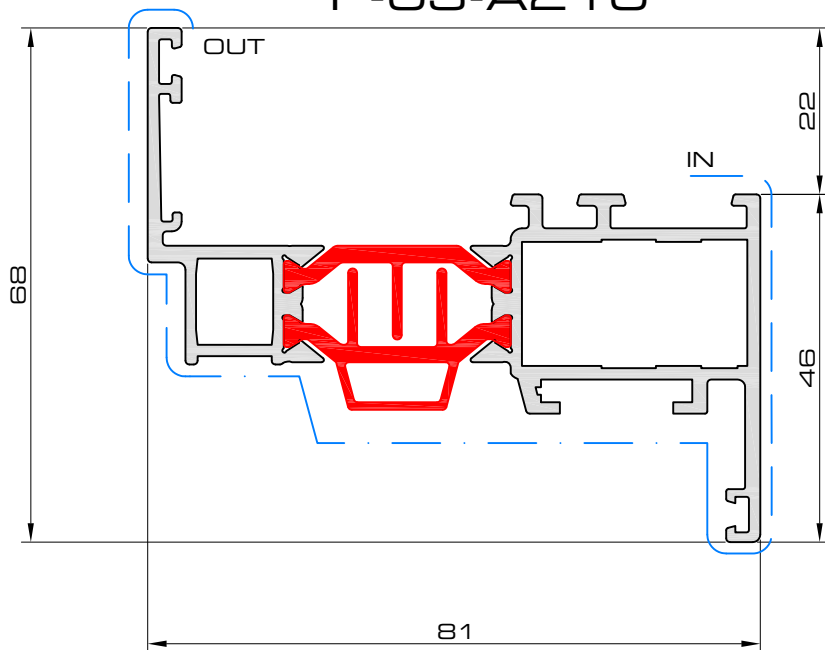



	OUT	IN
P	A-PH-4730	A-PH-4707
S	A-SH-4730	A-PH-4707
V	-	-
	$I_x = 70.33\text{cm}^4$ $I_y = 46.46\text{cm}^4$ $W_x = 15.77\text{cm}^3$ $W_y = 8.82\text{cm}^3$	

prof49



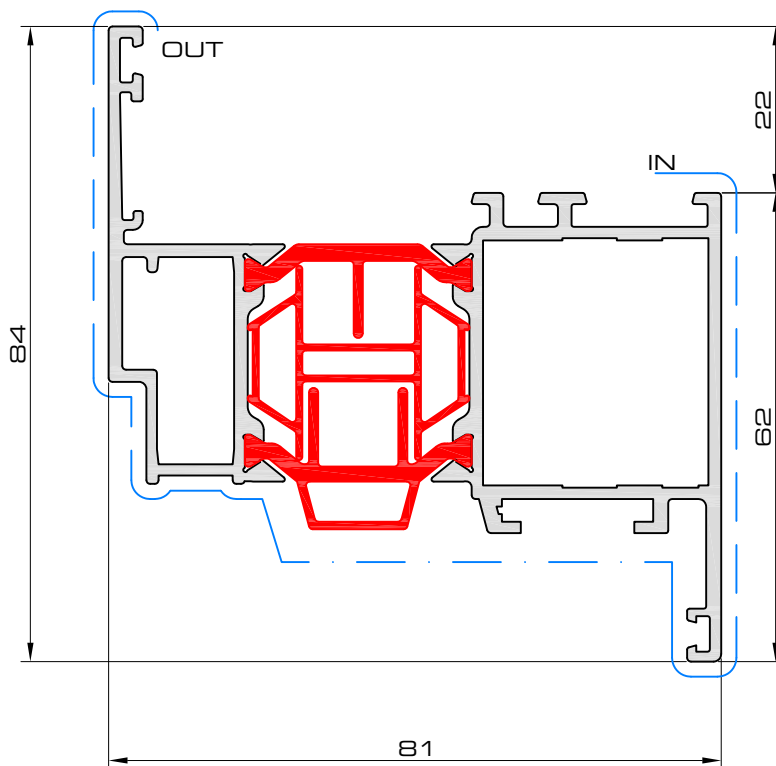
P-03-A210



Variant! **Planea**

	OUT	IN
	A-PH-1110	A-PH-1630
	A-SH-1110	A-SH-1630
	-	-
	A-VH-1110	A-VH-1630
	$I_x = 41.93\text{cm}^4$ $I_y = 8.58\text{cm}^4$ $W_x = 9.58\text{cm}^3$ $W_y = 2.42\text{cm}^3$	

P-03-A211



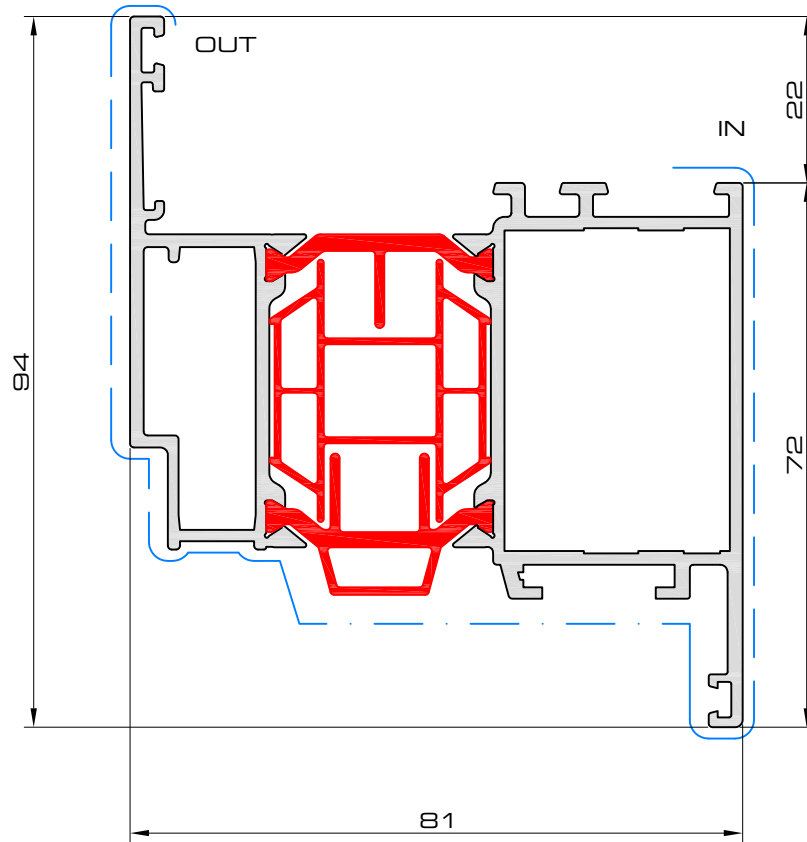
	OUT	IN
	A-PH-2710	A-PH-3230
	A-SH-2710	A-SH-3230
	-	-
	-	-
	$I_x = 54\text{cm}^4$ $I_y = 20.5\text{cm}^4$ $W_x = 12.93\text{cm}^3$ $W_y = 4.77\text{cm}^3$	

prof21



Variant! Planea

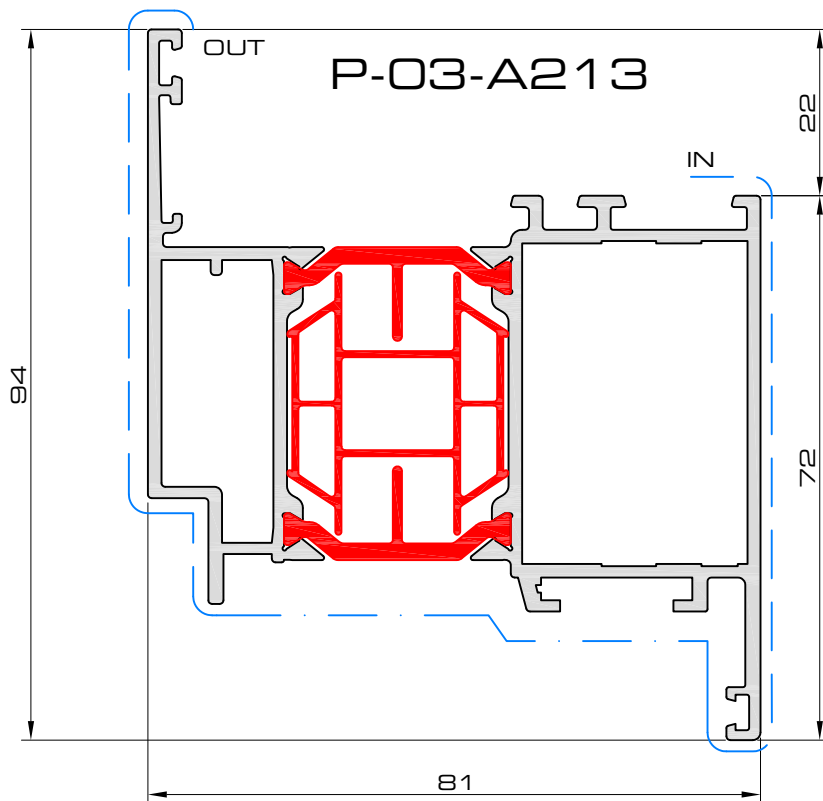
P-03-A212



	OUT	IN
	A-PH-3710	A-PH-4230
	A-SH-3710	A-SH-4230
	-	-
	-	-
	$I_x = 60.64\text{cm}^4$ $I_y = 31.73\text{cm}^4$ $W_x = 14.7\text{cm}^3$ $W_y = 6.64\text{cm}^3$	

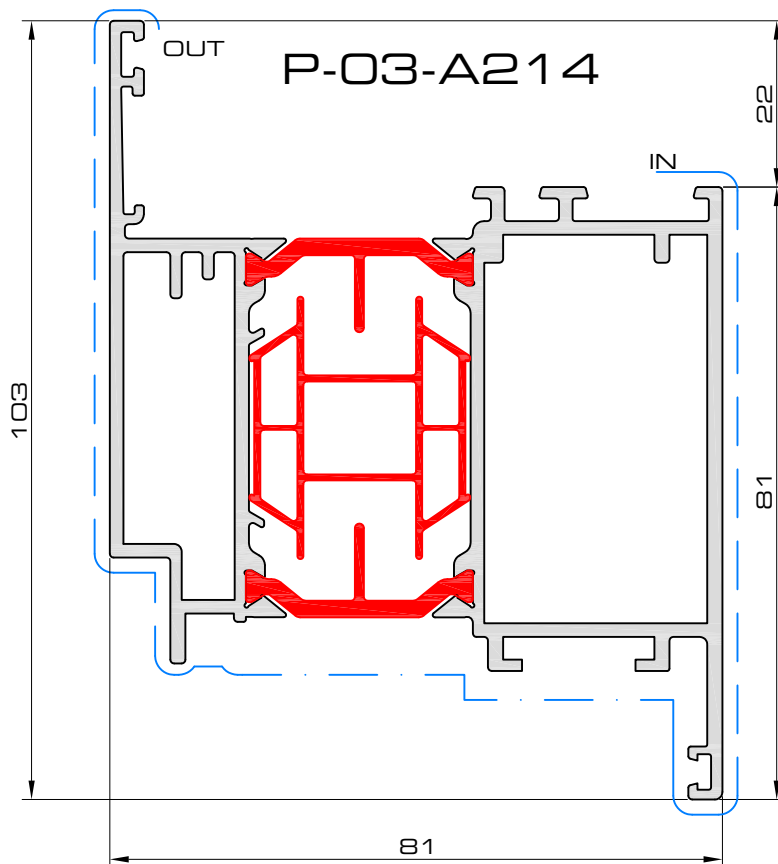
PROFILE SECTION

prof28



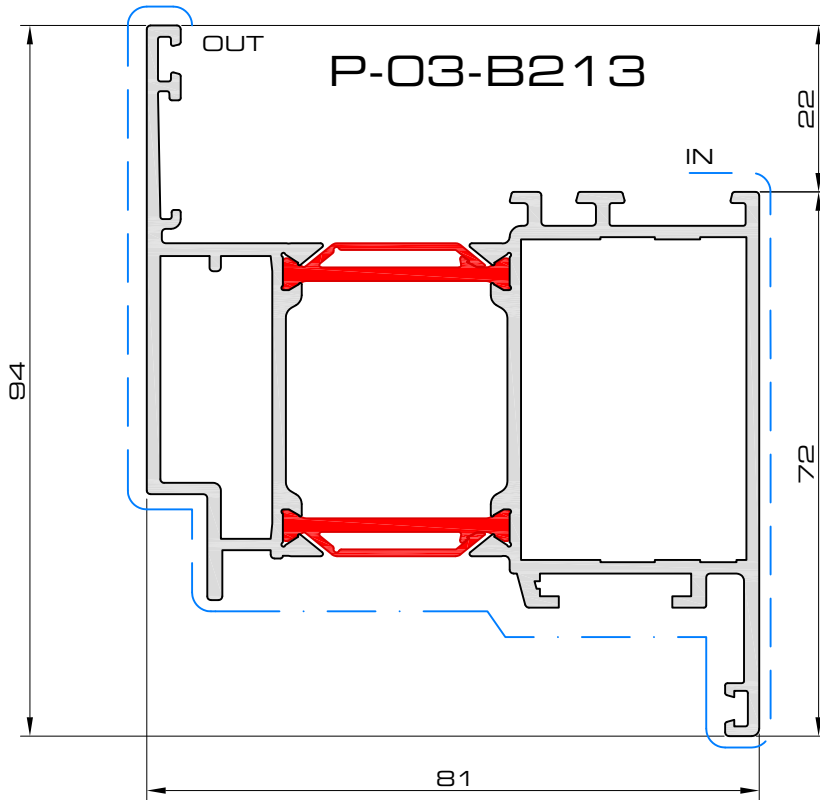
Variant! **Planea**

	OUT	IN
	A-PH-3706	A-PH-4230
	A-PH-3706	A-SH-4230
	-	-
	-	-
	$I_x = 62.24\text{cm}^4$ $I_y = 32.5\text{cm}^4$ $W_x = 15.36\text{cm}^3$ $W_y = 6.73\text{cm}^3$	

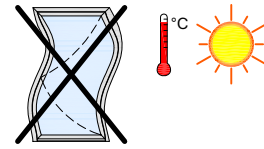


	OUT	IN
	A-PH-4207	A-PH-4730
	A-PH-4207	A-SH-4730
	-	-
	-	-
	$I_x = 73.83\text{cm}^4$ $I_y = 48.08\text{cm}^4$ $W_x = 18.13\text{cm}^3$ $W_y = 9.24\text{cm}^3$	

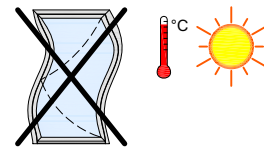
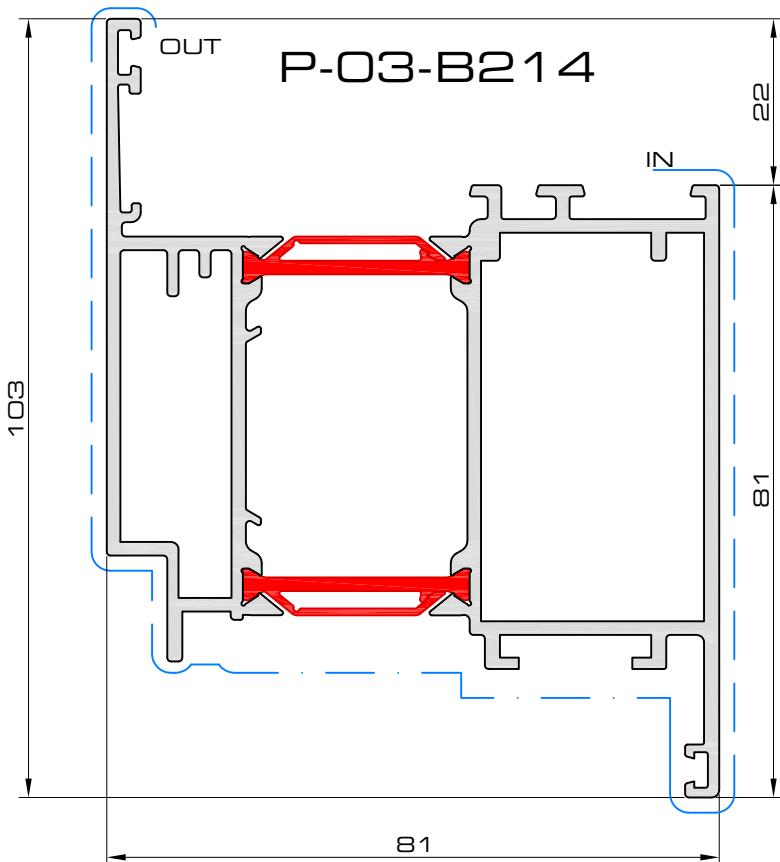
prof31



Variant! Planea



	OUT	IN
P	A-PH-3706	A-PH-4230
S	A-PH-3706	A-SH-4230
H	-	-
V	-	-
	$I_x = 62.24\text{cm}^4$ $I_y = 32.5\text{cm}^4$ $W_x = 15.36\text{cm}^3$ $W_y = 6.73\text{cm}^3$	

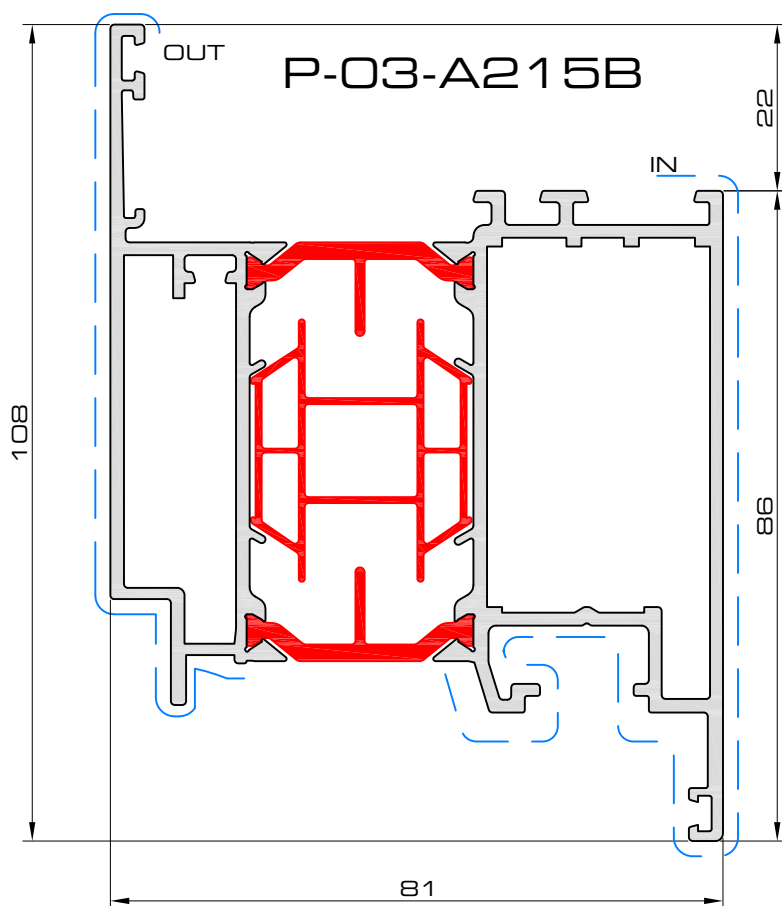



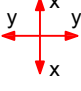
	OUT	IN
P	A-PH-4207	A-PH-4730
S	A-PH-4207	A-SH-4730
H	-	-
V	-	-
	$I_x = 73.83\text{cm}^4$ $I_y = 48.08\text{cm}^4$ $W_x = 18.13\text{cm}^3$ $W_y = 9.24\text{cm}^3$	

prof74

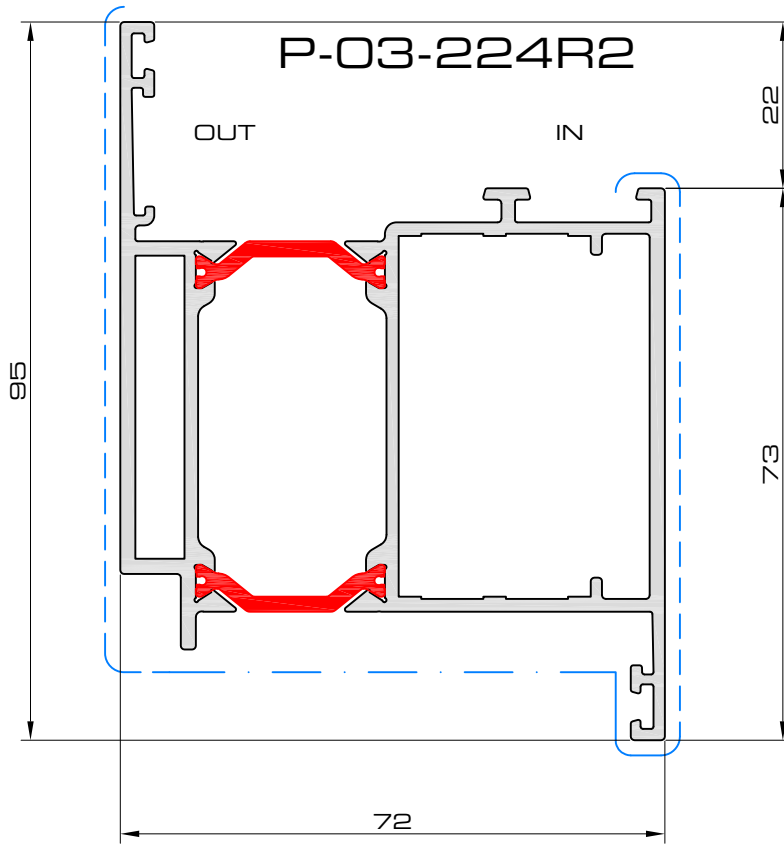


Variant! Planea

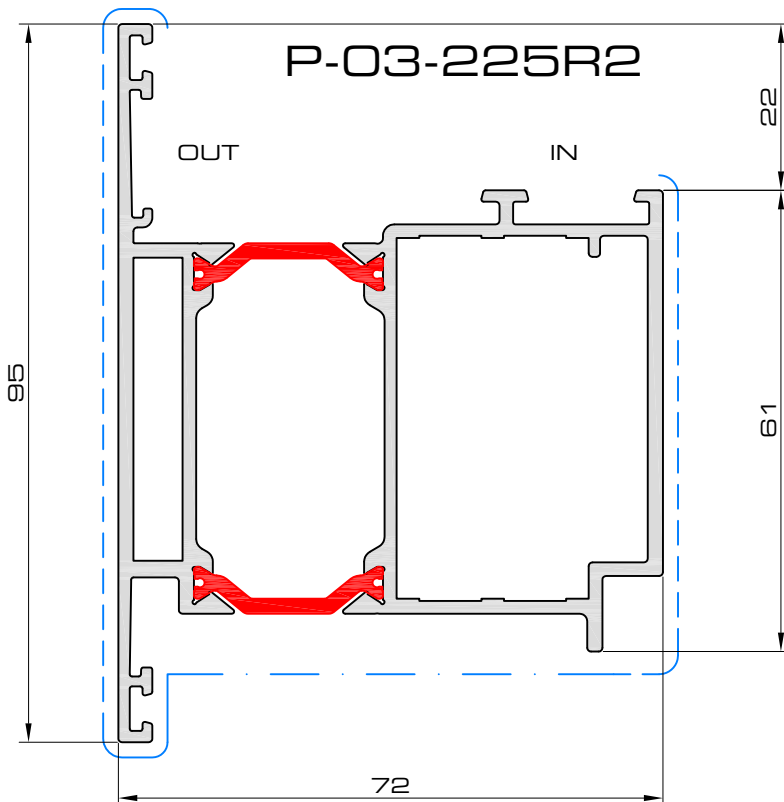


	OUT	IN
	A-PH-4707	A-PH-4730
	$I_x = 74.34\text{cm}^4$ $I_y = 56.36\text{cm}^4$ $W_x = 18.34\text{cm}^3$ $W_y = 10.16\text{cm}^3$	

prof79

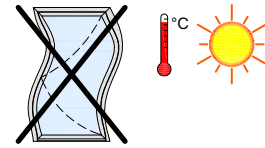
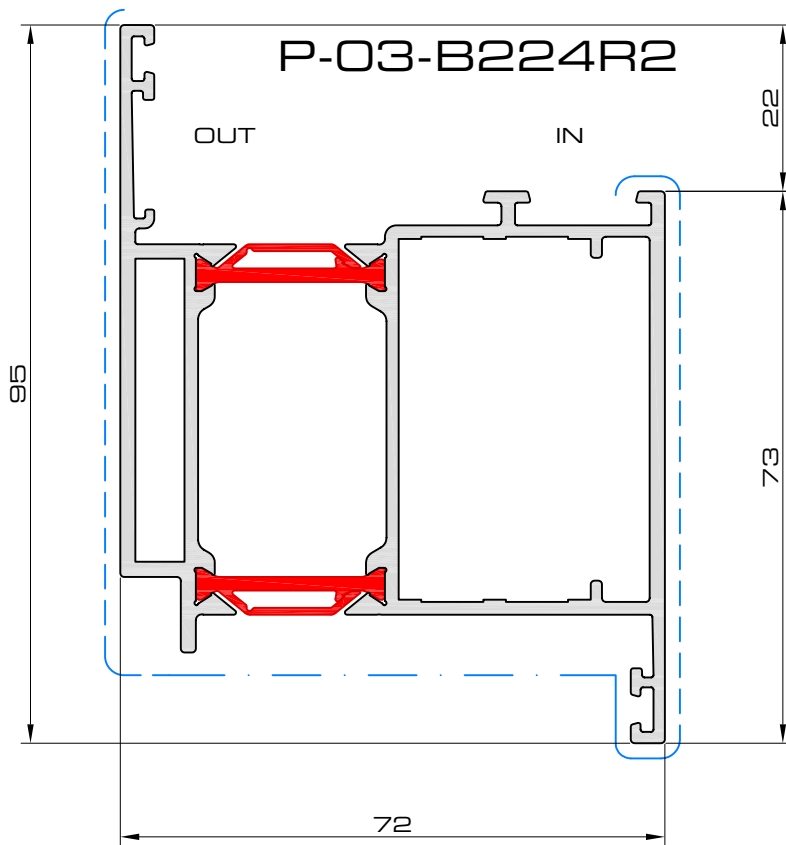


	OUT	IN
	A-PH-4006	A-PH-4725
	A-PH-4006	A-SH-4725
	-	-
	-	-
	$I_x = 53\text{cm}^4$ $I_y = 36.46\text{cm}^4$ $W_x = 13.75\text{cm}^3$ $W_y = 7.23\text{cm}^3$	

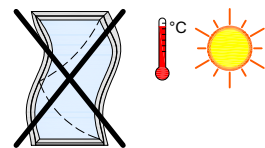
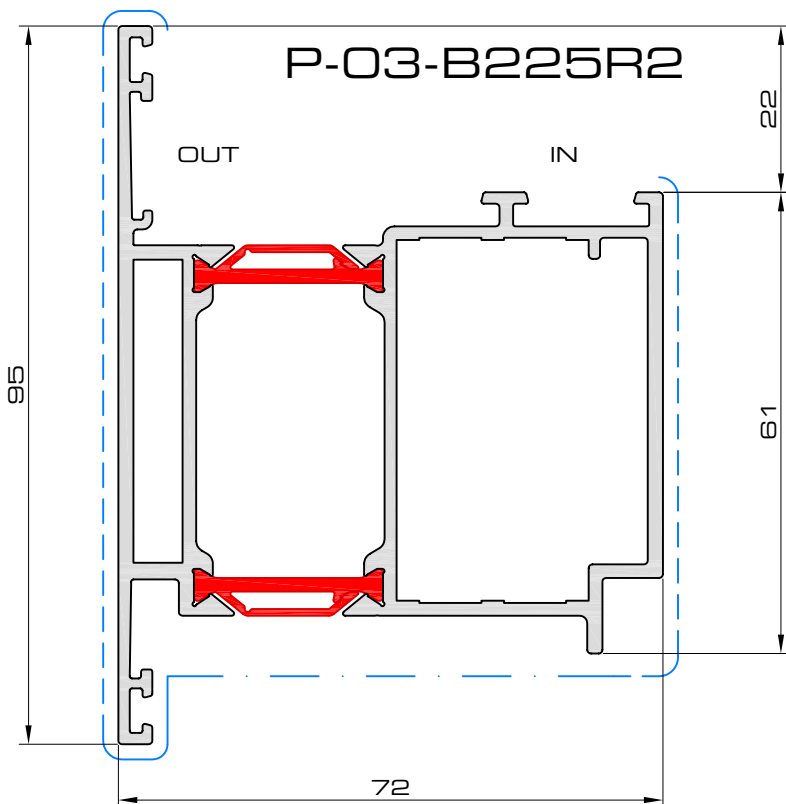


	OUT	IN
	A-PH-4006	A-PH-4725
	A-PH-4006	A-SH-4725
	-	-
	-	-
	$I_x = 51\text{cm}^4$ $I_y = 36.44\text{cm}^4$ $W_x = 12.07\text{cm}^3$ $W_y = 7.21\text{cm}^3$	

prof35r2



	OUT	IN
P	A-PH-4006	A-PH-4725
S	A-PH-4006	A-SH-4725
H	-	-
V	-	-
	$I_x = 53\text{cm}^4$ $I_y = 36.46\text{cm}^4$ $W_x = 13.75\text{cm}^3$ $W_y = 7.23\text{cm}^3$	

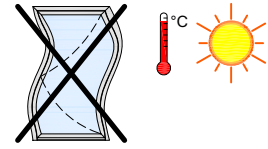
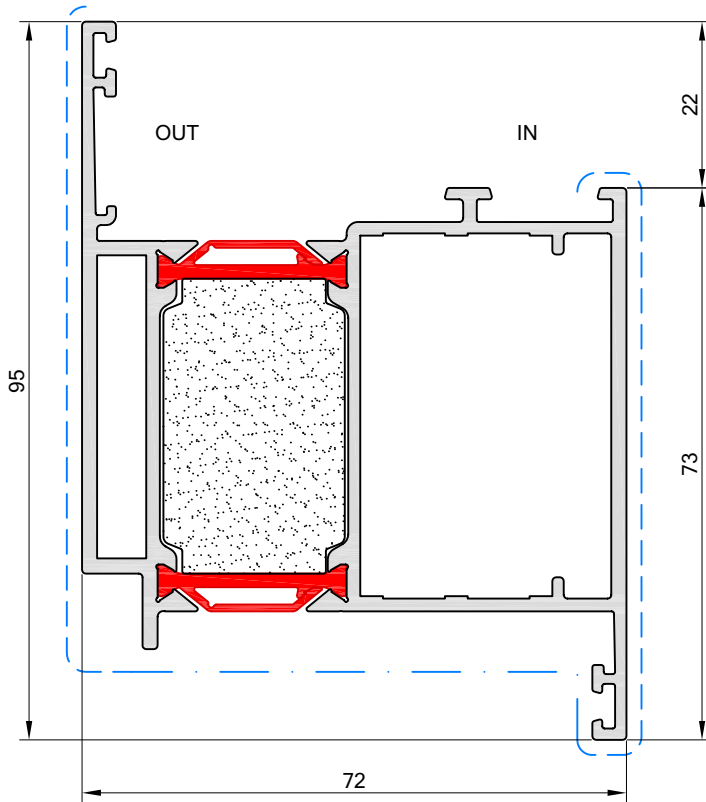


	OUT	IN
P	A-PH-4006	A-PH-4725
S	A-PH-4006	A-SH-4725
H	-	-
V	-	-
	$I_x = 51\text{cm}^4$ $I_y = 36.44\text{cm}^4$ $W_x = 12.07\text{cm}^3$ $W_y = 7.21\text{cm}^3$	

prof75r2

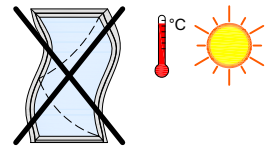
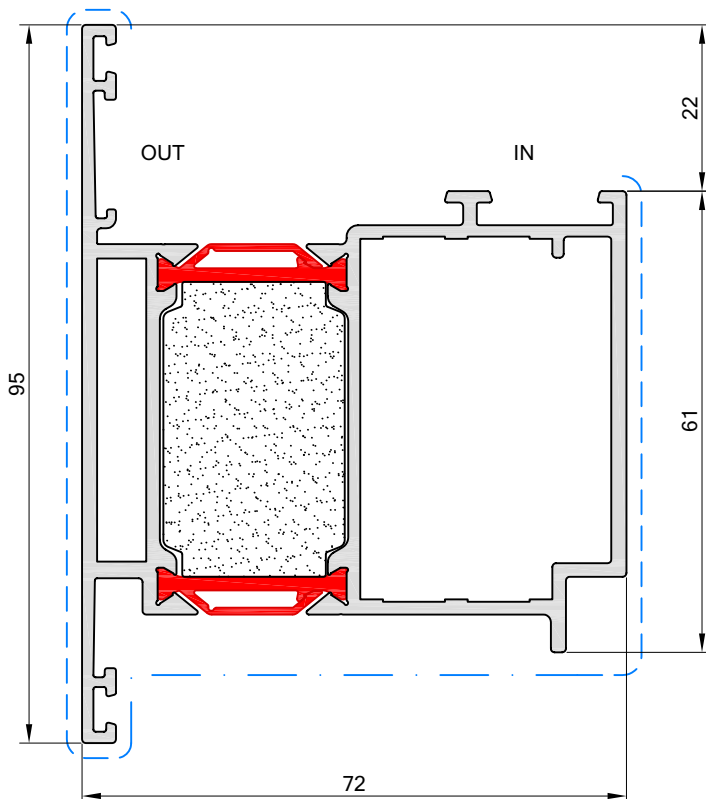


P-03-M224R2



	OUT	IN
P	A-PH-4006	A-PH-4725
S	A-PH-4006	A-SH-4725
G	-	-
V	-	-
	$I_x = 53\text{cm}^4$ $I_y = 36.46\text{cm}^4$ $W_x = 13.75\text{cm}^3$ $W_y = 7.23\text{cm}^3$	

P-03-M225R2

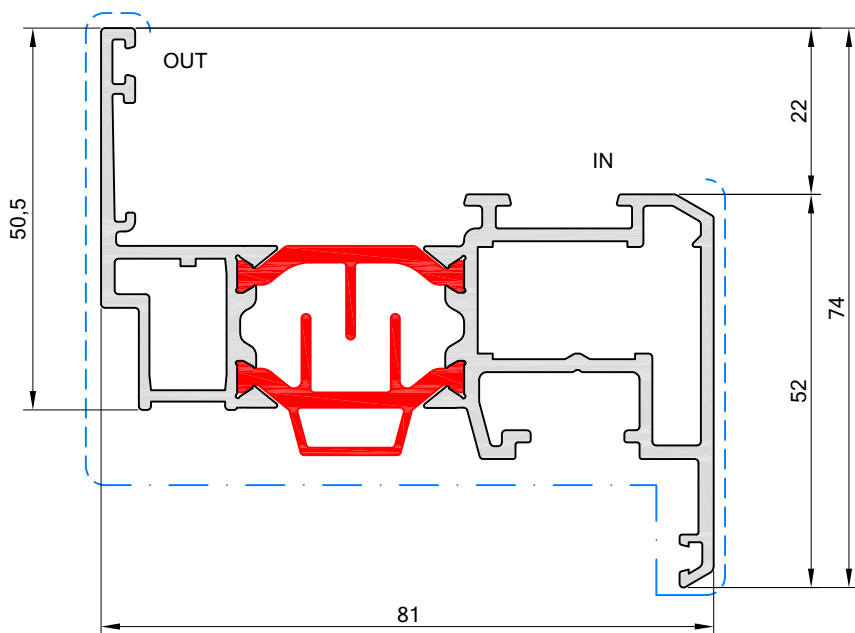


	OUT	IN
P	A-PH-4006	A-PH-4725
S	A-PH-4006	A-SH-4725
G	-	-
V	-	-
	$I_x = 51\text{cm}^4$ $I_y = 36.44\text{cm}^4$ $W_x = 12.07\text{cm}^3$ $W_y = 7.21\text{cm}^3$	

prof35mr2

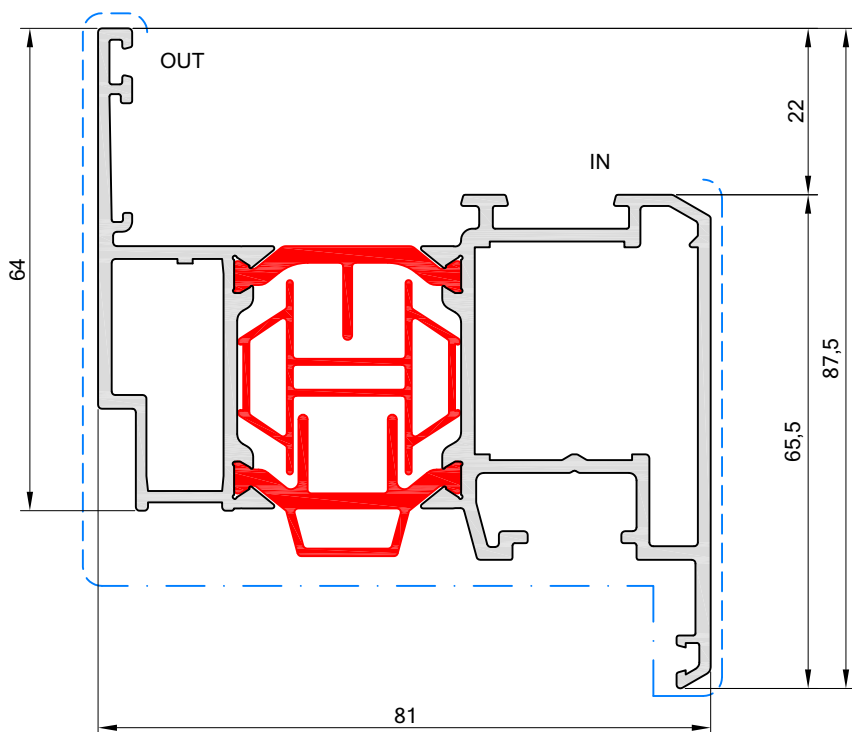


P-03-A230B



	OUT	IN
	A-PH-1610	A-PH-1430
	-	-
	-	-
	$I_x = 47.54\text{cm}^4$ $I_y = 11.85\text{cm}^4$ $W_x = 11.06\text{cm}^3$ $W_y = 3.12\text{cm}^3$	

P-03-A231B

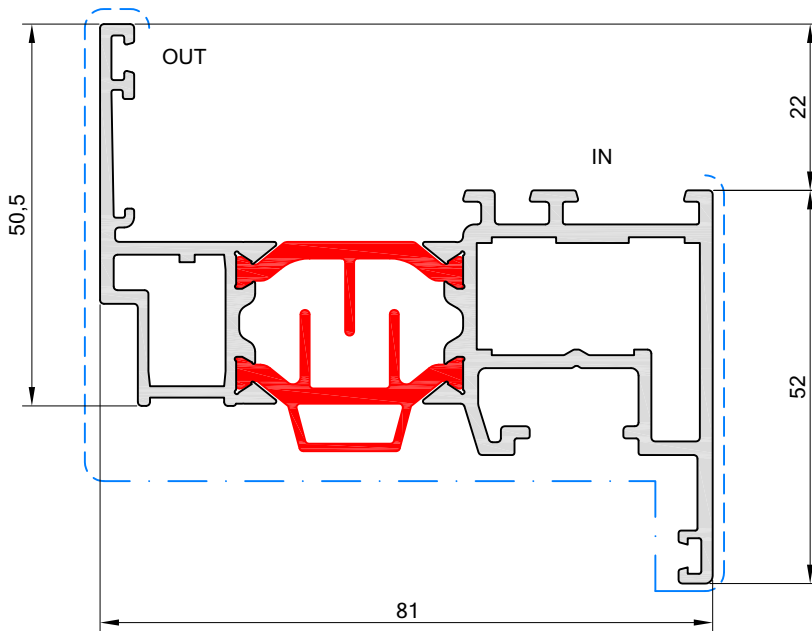


	OUT	IN
	A-PH-3010	A-PH-2730
	-	-
	-	-
	$I_x = 56.41\text{cm}^4$ $I_y = 23.25\text{cm}^4$ $W_x = 13.42\text{cm}^3$ $W_y = 5.19\text{cm}^3$	

prof44

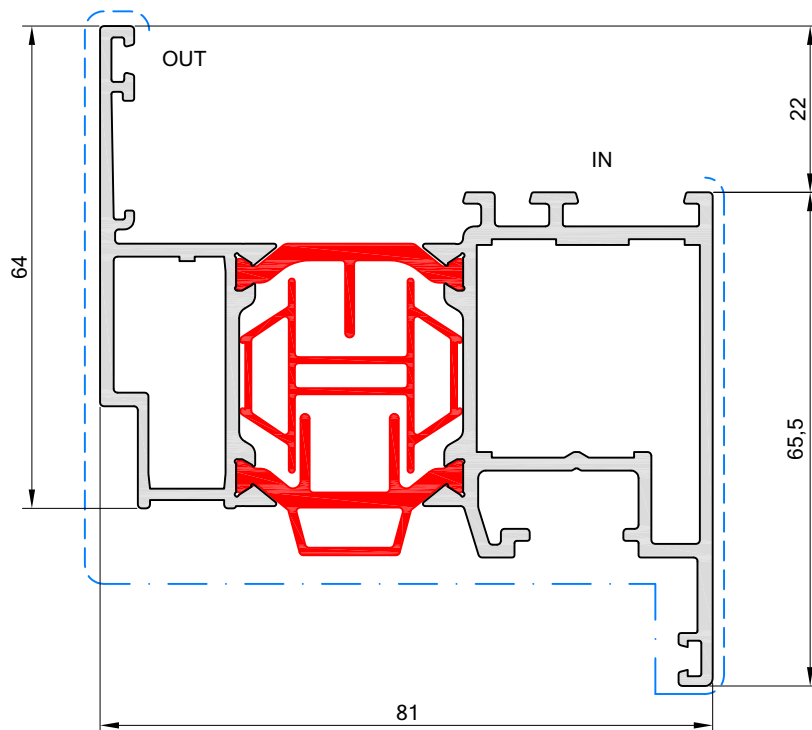


P-03-A240B



	OUT	IN
	A-PH-1610	A-PH-1430
	-	-
	-	-
	$I_x = 48.45\text{cm}^4$ $I_y = 12.22\text{cm}^4$ $W_x = 11.14\text{cm}^3$ $W_y = 3.22\text{cm}^3$	

P-03-A241B

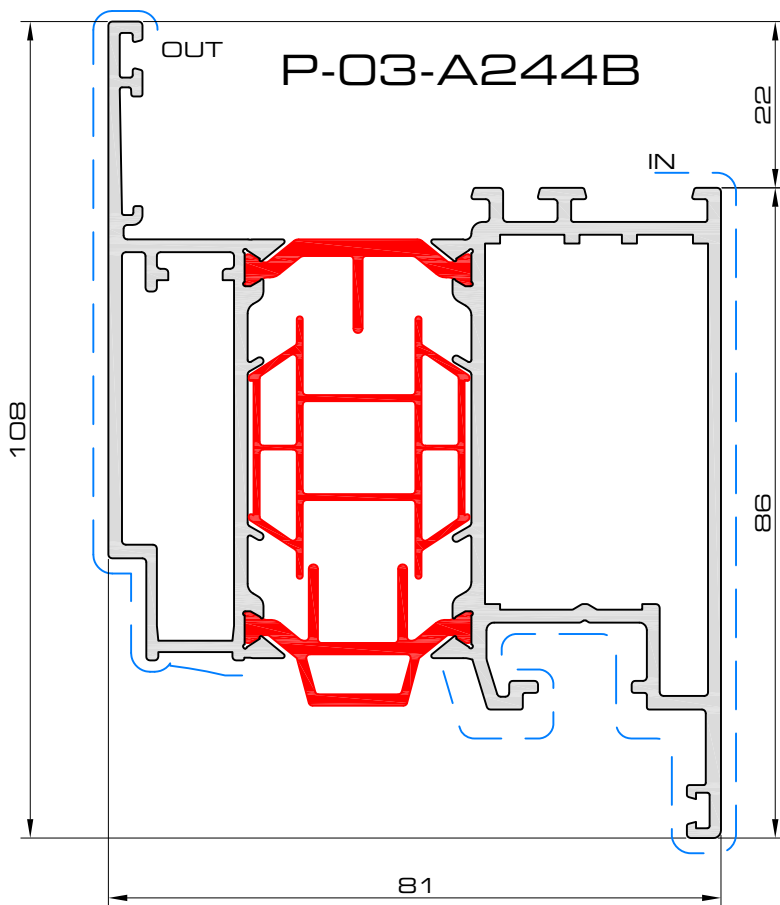



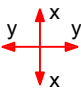
	OUT	IN
	A-PH-3010	A-PH-2730
	-	-
	-	-
	$I_x = 57.38\text{cm}^4$ $I_y = 23.91\text{cm}^4$ $W_x = 13.49\text{cm}^3$ $W_y = 5.34\text{cm}^3$	

prof47

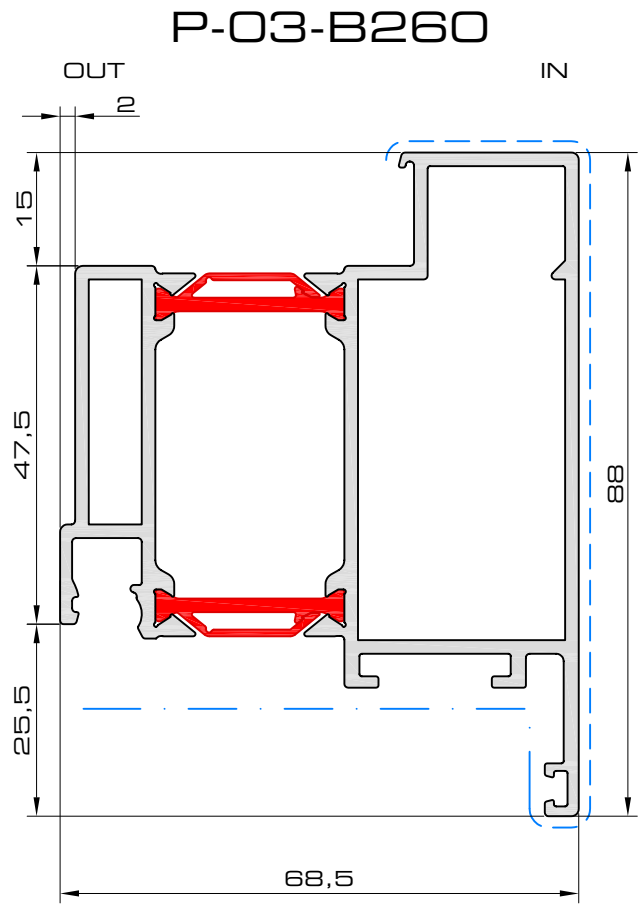
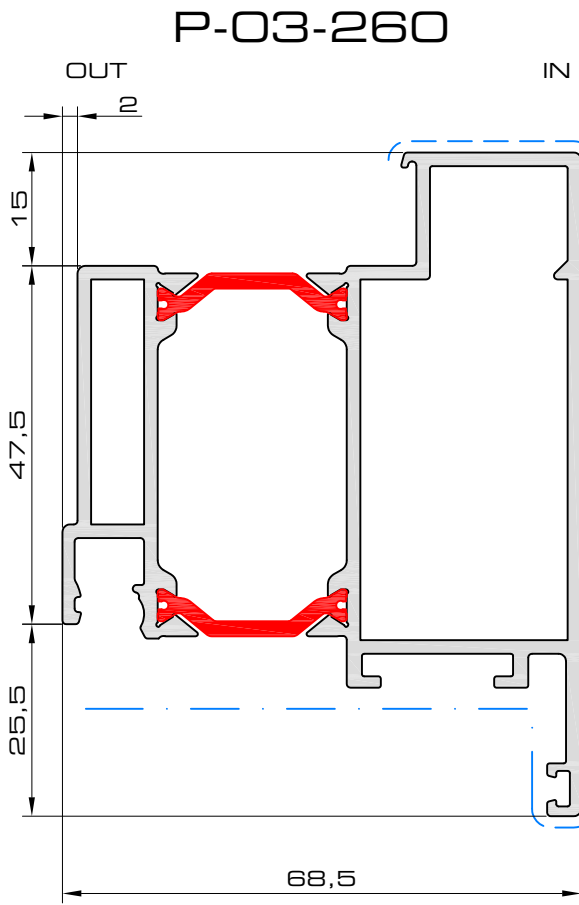


Variant! Planea



	OUT	IN
 A-PH-4709	A-PH-4730	
	$I_x = 73.01\text{cm}^4$ $I_y = 55.06\text{cm}^4$ $W_x = 17.81\text{cm}^3$ $W_y = 10.02\text{cm}^3$	

prof80



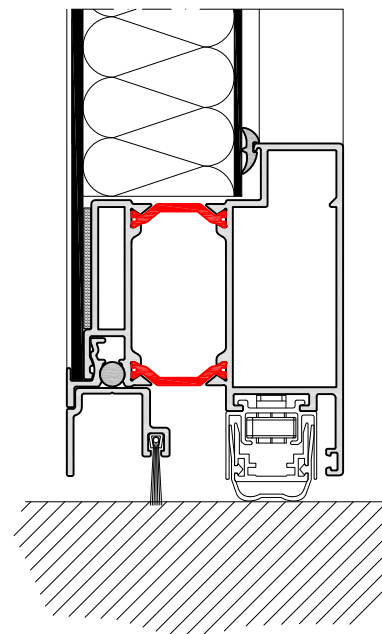
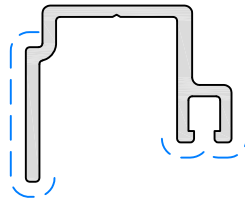
	OUT	IN
	A-PH-3207	A-PH-4727
	A-PH-3207	A-SH-4727

	$I_x = 40.45\text{cm}^4$ $I_y = 35.98\text{cm}^4$ $W_x = 10.66\text{m}^3$ $W_y = 7.55\text{cm}^3$
--	--

P-03-261



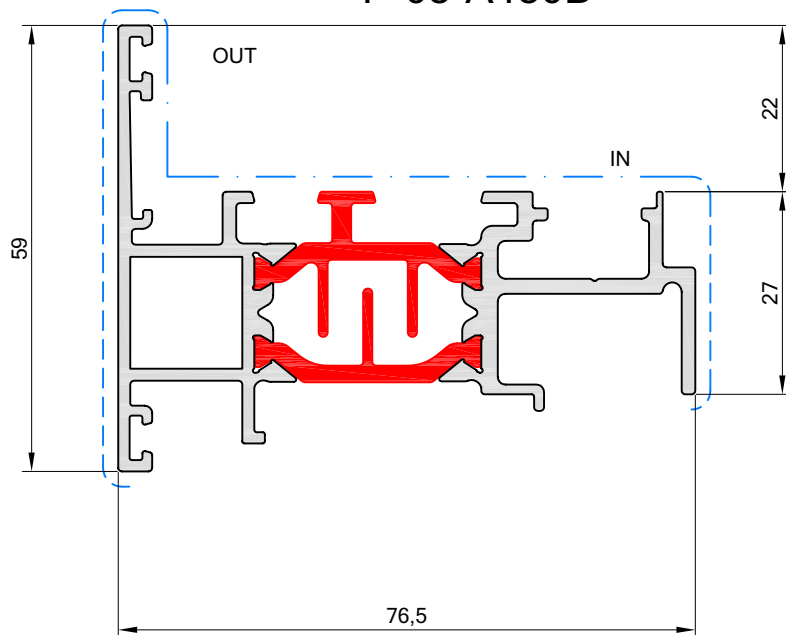
P-03-262




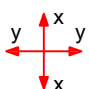


prof58



P-03-A430B

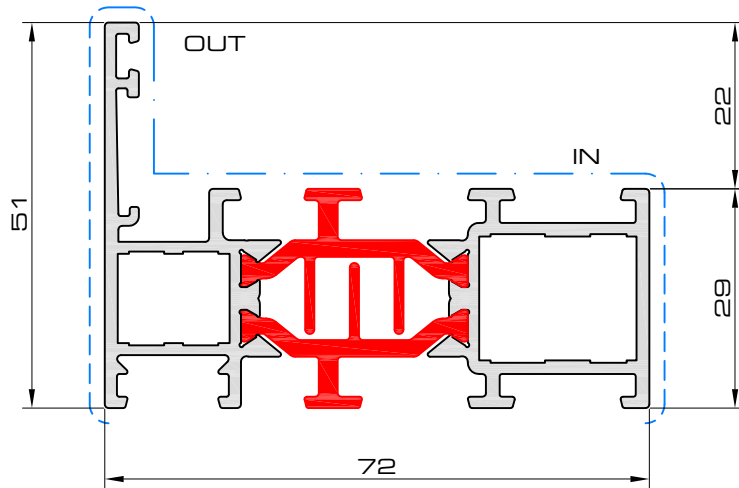


	OUT	IN
	-	-
	-	-
	-	-
	$I_x = 34.22\text{cm}^4$ $I_y = 6.98\text{cm}^4$ $W_x = 7.62\text{cm}^3$ $W_y = 2.02\text{cm}^3$	

prof45

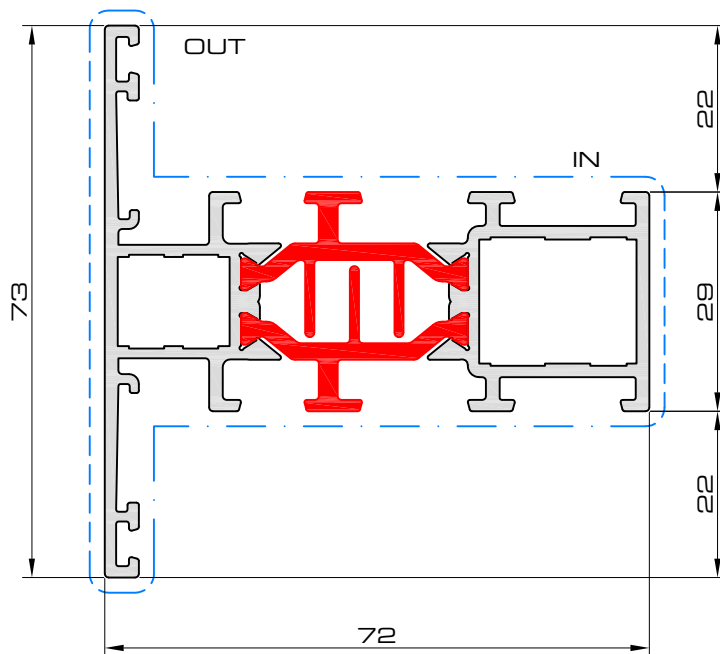


P-03-A116



	OUT	IN
	A-PH-1115	A-PH-1621
	A-GH-1115	A-SH-1621
	A-TV-064	A-TV-001
	A-TV-057	A-TV-005
	-	A-VH-1621
	A-VT-1115	A-VT-1621
	$I_x = 30.3\text{cm}^4$ $I_y = 6.12\text{cm}^4$ $W_x = 7.64\text{cm}^3$ $W_y = 1.83\text{cm}^3$	

P-03-A300

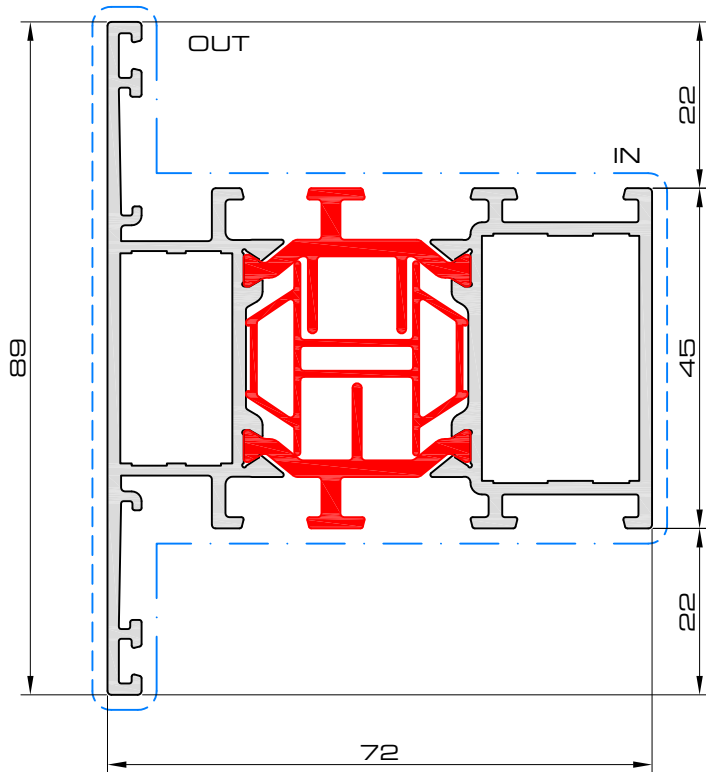


	OUT	IN
	A-PH-1115	A-PH-1621
	A-GH-1115	A-SH-1621
	A-TV-064	A-TV-001
	A-TV-057	A-TV-005
	-	A-VH-1621
	A-VT-1115	A-VT-1621
	$I_x = 34.65\text{cm}^4$ $I_y = 10.22\text{cm}^4$ $W_x = 8.07\text{cm}^3$ $W_y = 2.8\text{cm}^3$	

prof7



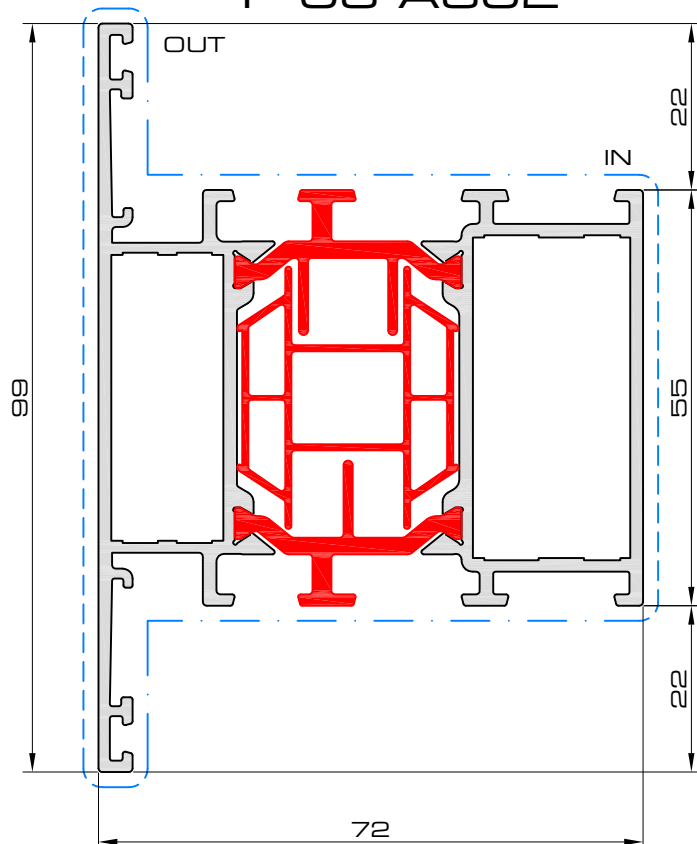
P-03-A301



	OUT	IN
	A-PH-2715	A-PH-3221
	A-PH-2715	A-SH-3221
	A-TV-065	A-TV-002
	-	A-VH-3221
	A-VT-2715L	A-VT-3221L
	A-VT-2715R	A-VT-3221R

	$I_x = 43.19\text{cm}^4$ $I_y = 22.63\text{cm}^4$ $W_x = 10.31\text{cm}^3$ $W_y = 5.09\text{cm}^3$
--	---

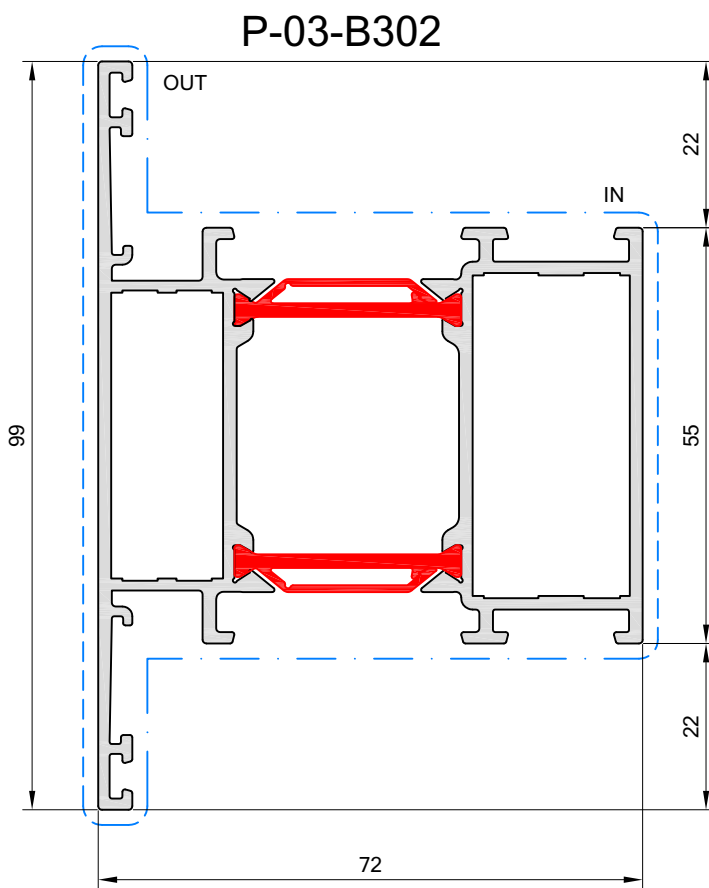
P-03-A302



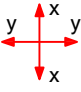


	OUT	IN
	A-PH-3715	A-PH-4221
	A-PH-3715	A-SH-4221
	A-TV-066	A-TV-003
	-	A-VH-4221

	$I_x = 48.4\text{cm}^4$ $I_y = 34.25\text{cm}^4$ $W_x = 11.68\text{cm}^3$ $W_y = 6.92\text{cm}^3$
--	--

prof8

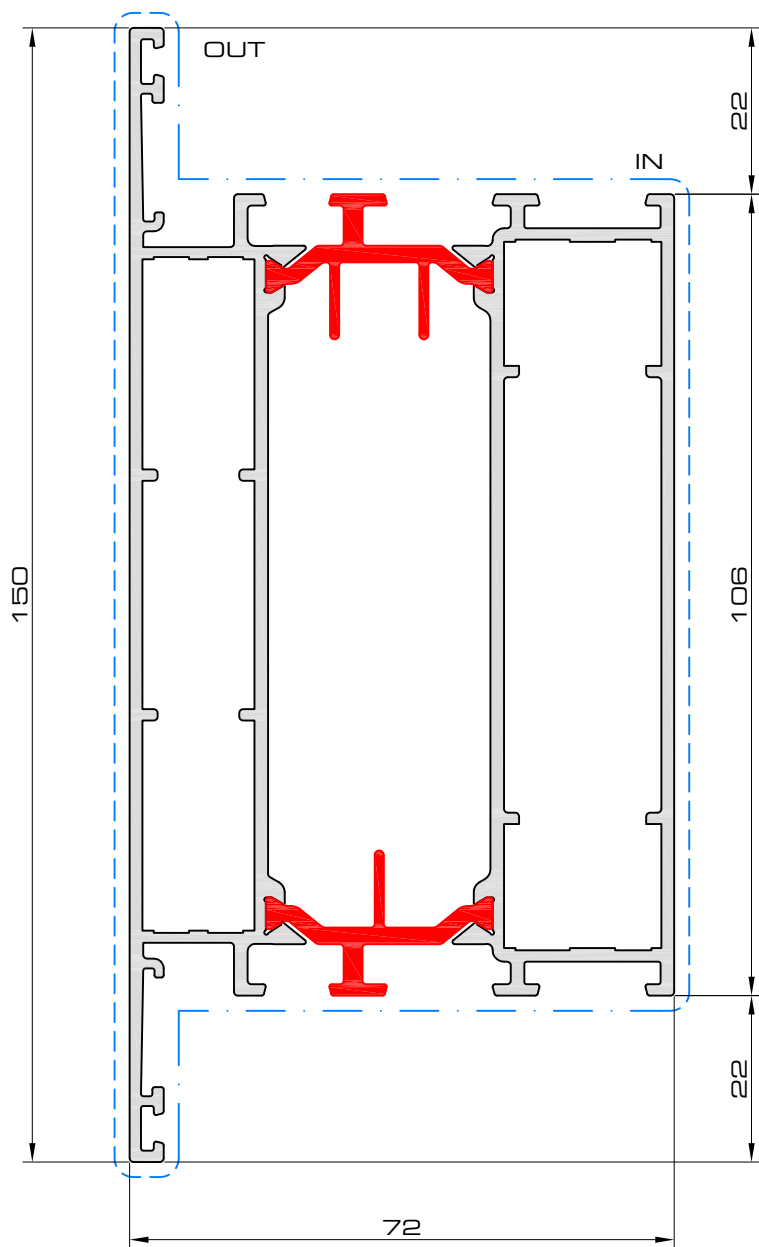


	OUT	IN
 P	A-PH-3715	A-PH-4221
 S	A-PH-3715	A-SH-4221
	$I_x = 48.4\text{cm}^4$ $I_y = 34.25\text{cm}^4$ $W_x = 11.68\text{cm}^3$ $W_y = 6.92\text{cm}^3$	

prof81

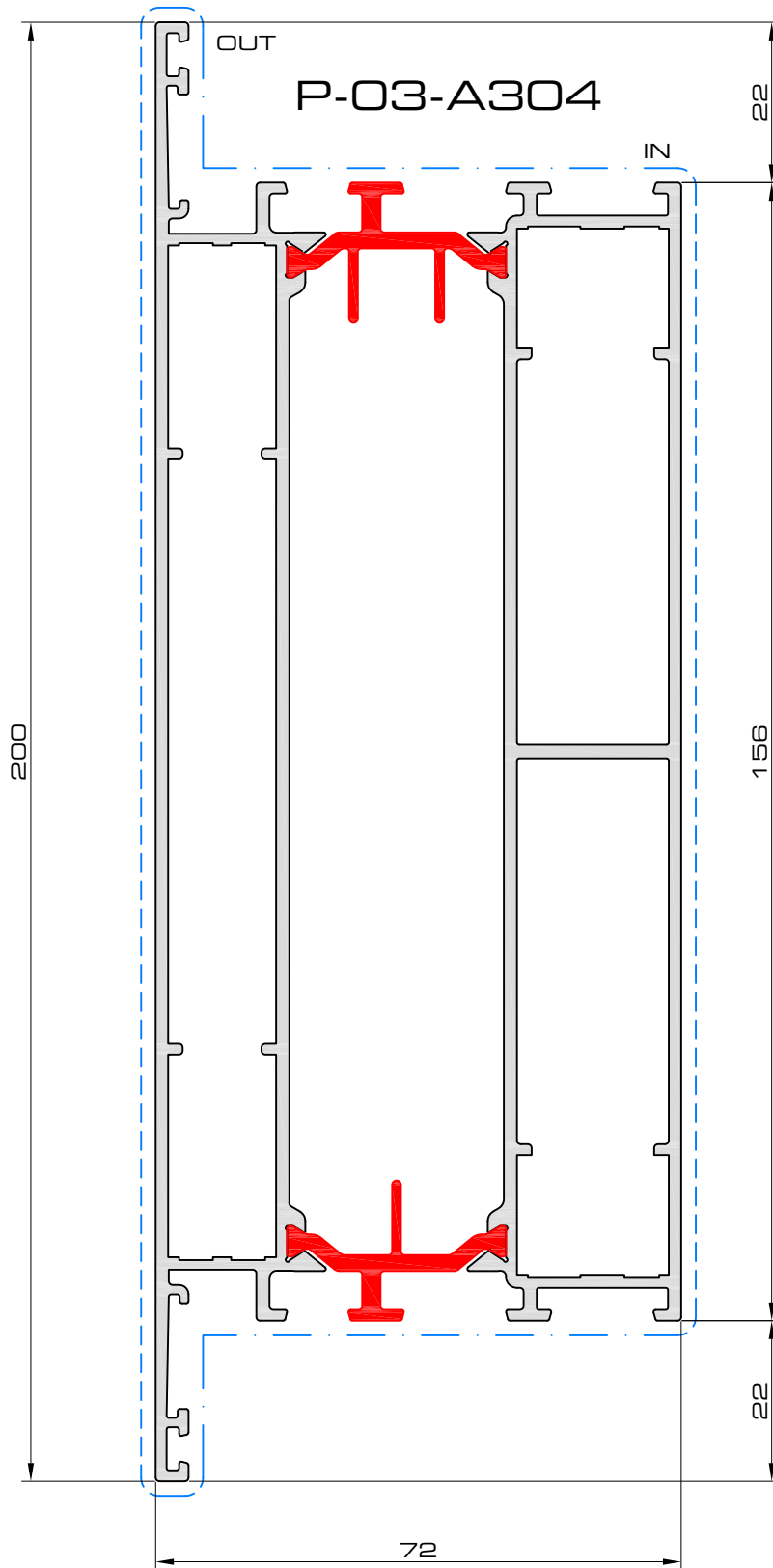





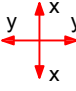
P-03-A303



	OUT	IN
P	-	-
S	-	-
A-TV-065		A-TV-001
	$I_x = 76.43\text{cm}^4$	$I_y = 154.78\text{cm}^4$
	$W_x = 19.1\text{cm}^3$	$W_y = 20.64\text{cm}^3$

prof9

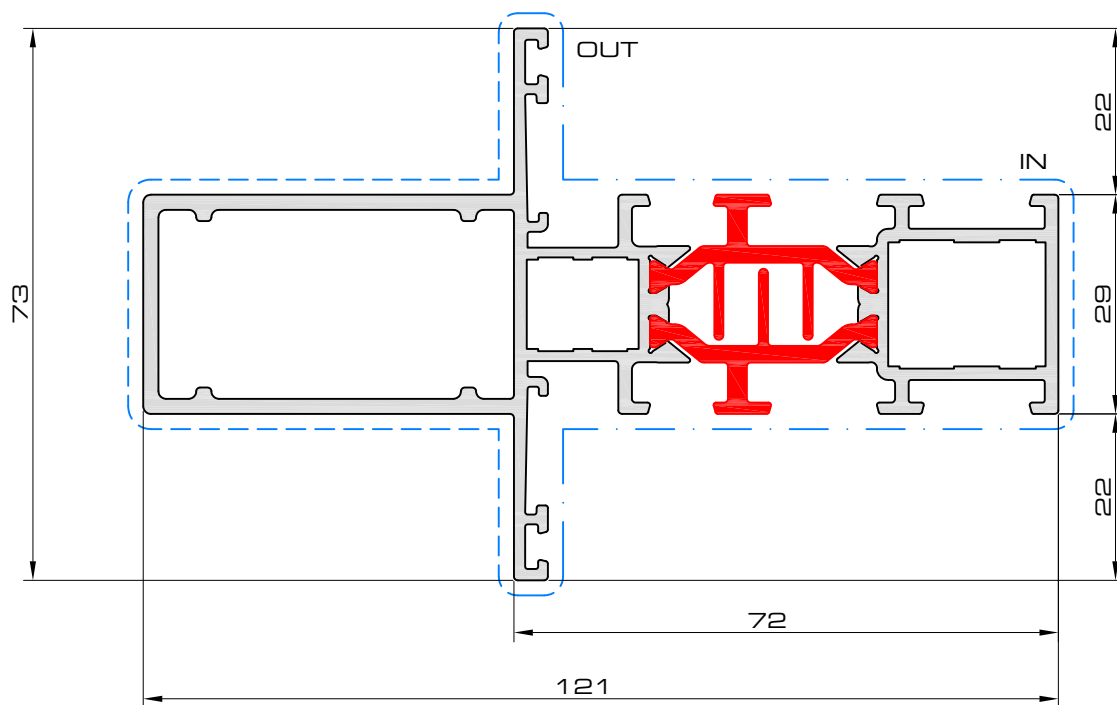


	OUT	IN
 P	-	-
 S	-	-
 A-TV-065		A-TV-001
	$I_x = 105.27\text{cm}^4$ $I_y = 406.87\text{cm}^4$ $W_x = 27.25\text{cm}^3$ $W_y = 40.67\text{cm}^3$	

prof17



P-03-A305

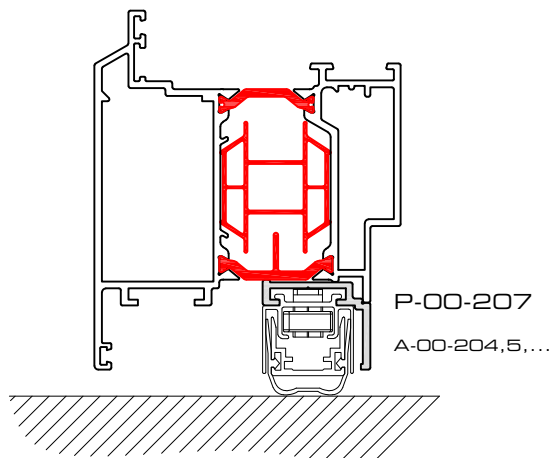
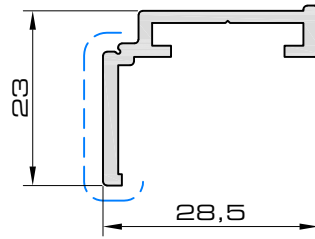


	OUT	IN
	-	-
	-	-
	A-TV-064	A-TV-001
	A-TV-057	A-TV-005
	$I_x = 98.38\text{cm}^4$	
	$I_y = 14.28\text{cm}^4$	
	$W_x = 15.61\text{cm}^3$	
	$W_y = 3.91\text{cm}^3$	

prof10



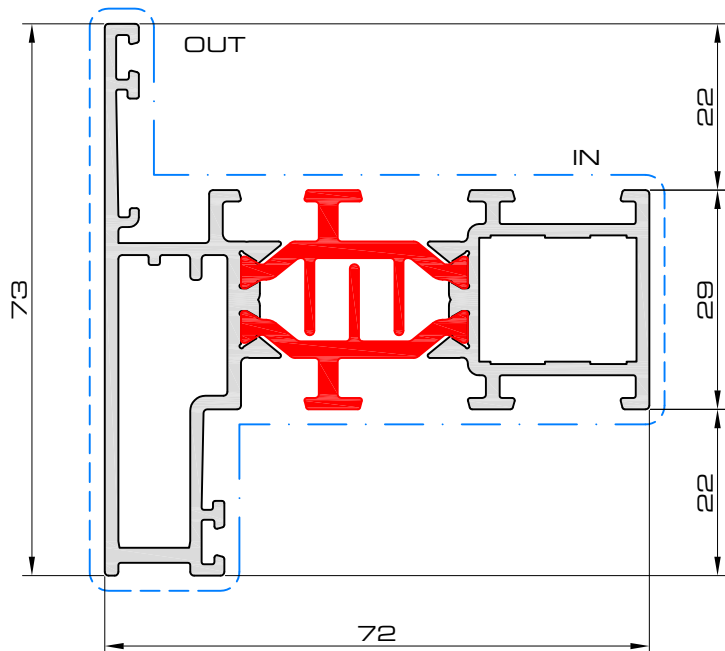
P-00-207




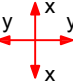


prof18

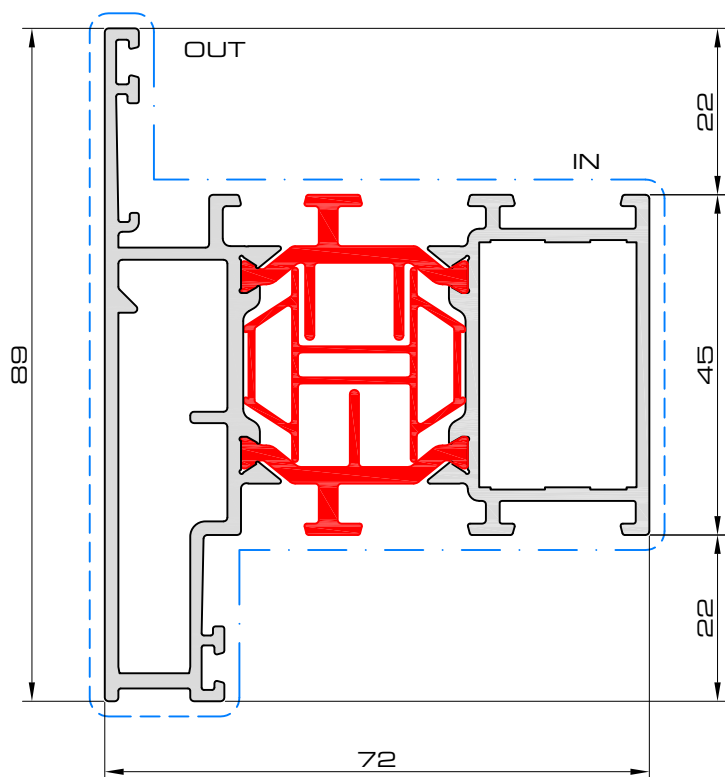





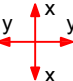
P-03-A309



	OUT	IN
 P	A-PH-3709	A-PH-1621
 S	A-SH-3709	A-SH-1621
 V	-	A-VH-1621
	$I_x = 35.70\text{cm}^4$ $I_y = 14.70\text{cm}^4$ $W_x = 8.04\text{cm}^3$ $W_y = 3.75\text{cm}^3$	

P-03-A319

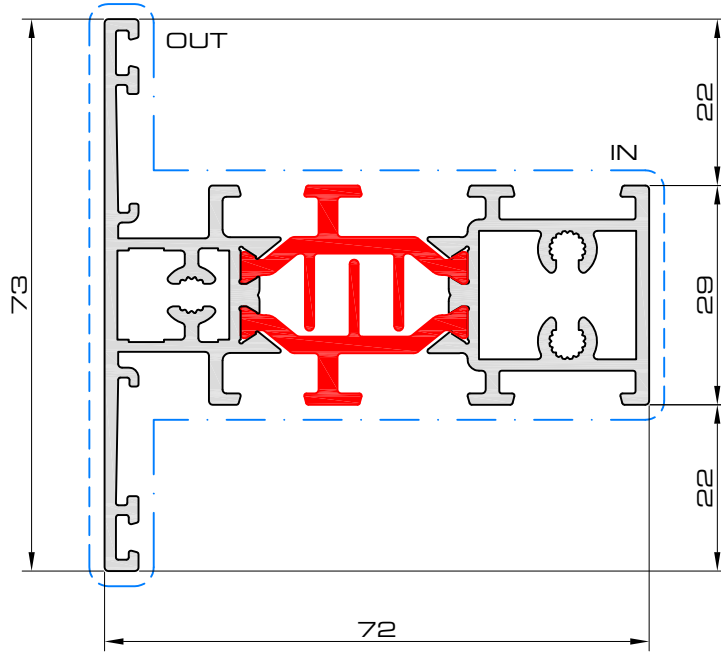


	OUT	IN
 P	A-PH-4709	A-PH-3221
 S	A-SH-4709	A-SH-3221
 V	-	A-VH-3221
	$I_x = 44.87\text{cm}^4$ $I_y = 29.89\text{cm}^4$ $W_x = 10.32\text{cm}^3$ $W_y = 6.34\text{cm}^3$	

prof43

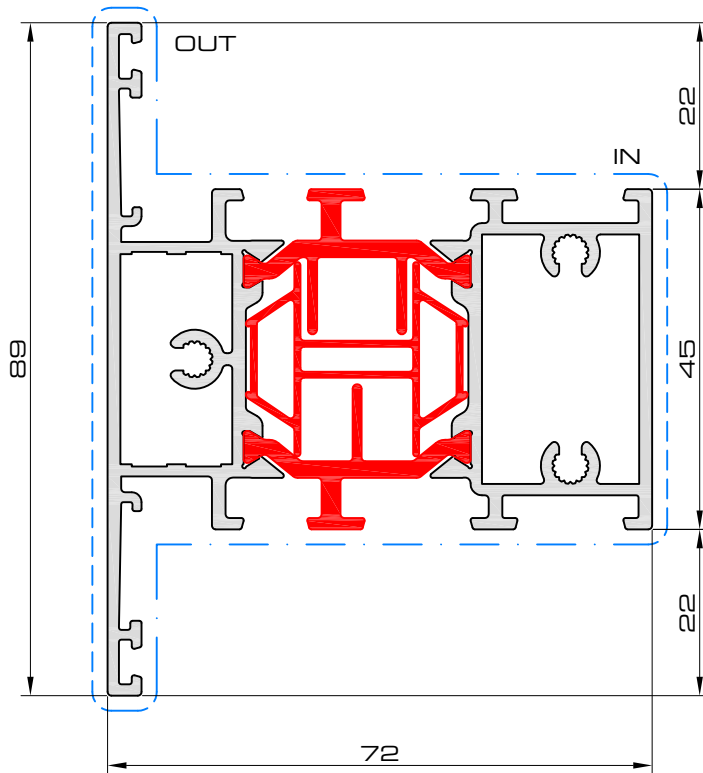


P-03-A310



	$I_x = 37.92\text{cm}^4$
	$I_y = 10.34\text{cm}^4$
	$W_x = 9.28\text{cm}^3$
	$W_y = 2.83\text{cm}^3$

P-03-A311

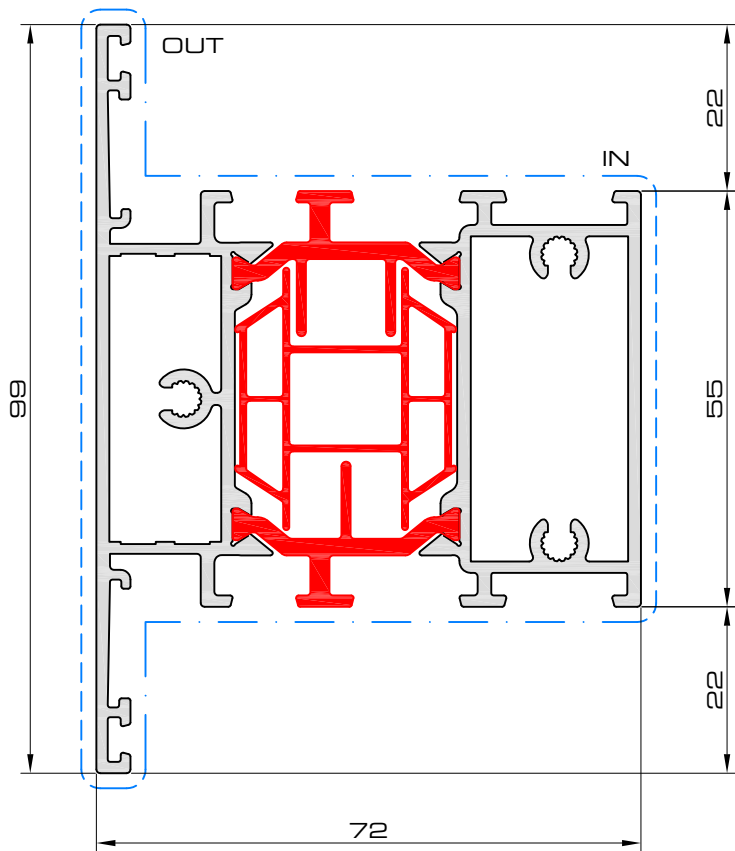


	$I_x = 46.29\text{cm}^4$
	$I_y = 23.26\text{cm}^4$
	$W_x = 11.5\text{cm}^3$
	$W_y = 5.23\text{cm}^3$

prof11



P-03-A312

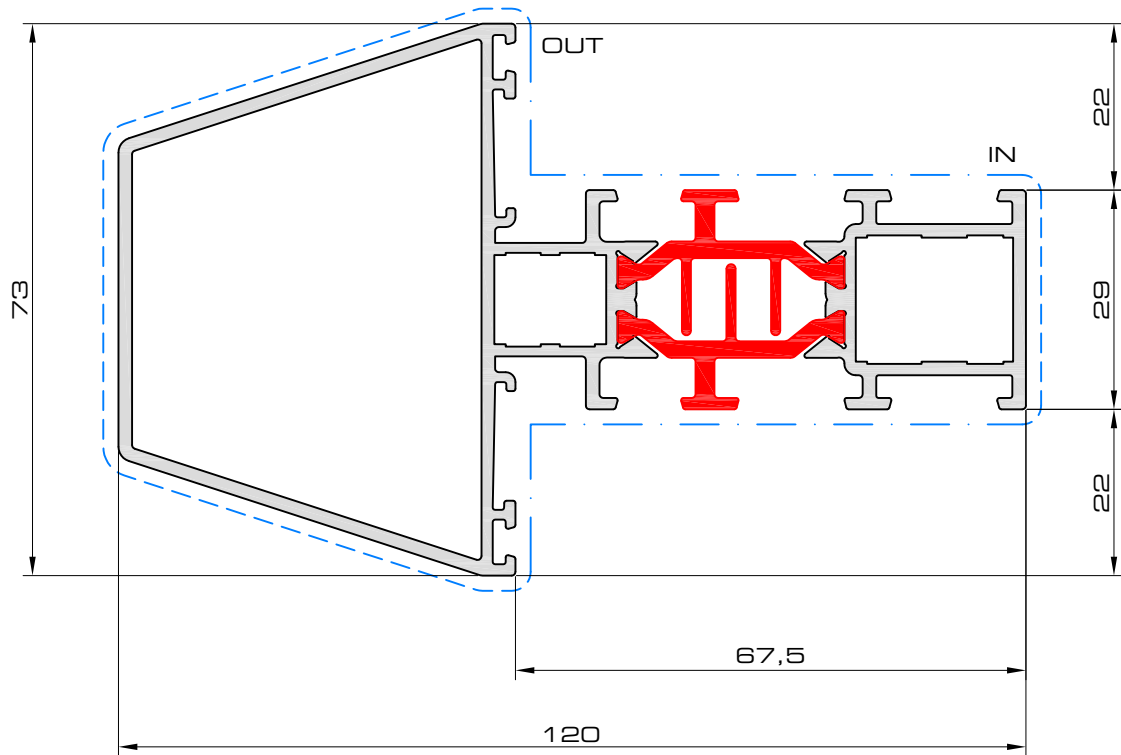


	$I_x = 51.43\text{cm}^4$
	$I_y = 35.42\text{cm}^4$
	$W_x = 12.86\text{cm}^3$
	$W_y = 7.16\text{cm}^3$

prof12



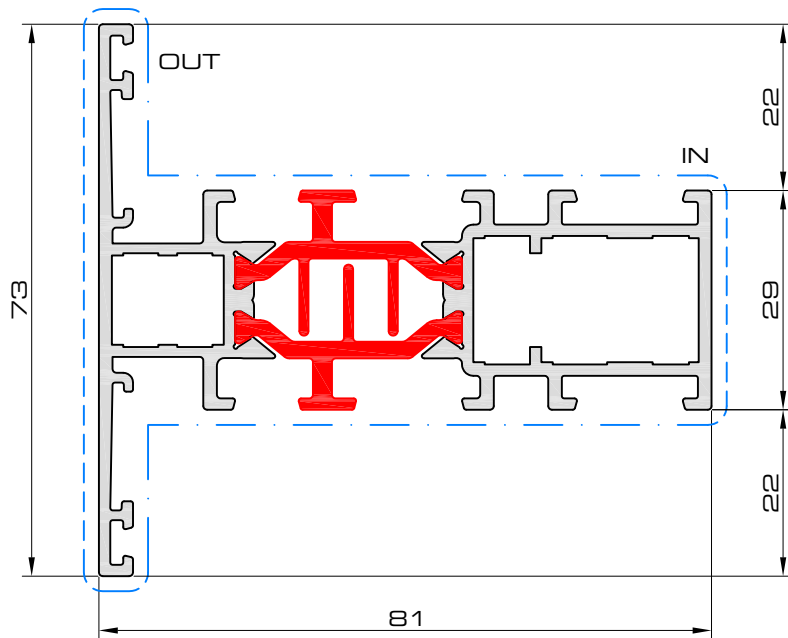
P-03-A315



	OUT	IN
	-	-
	-	-
	A-TV-064	A-TV-001
	A-TV-057	A-TV-005
	$I_x = 99.32\text{cm}^4$ $I_y = 25.46\text{cm}^4$ $W_x = 15.76\text{cm}^3$ $W_y = 6.98\text{cm}^3$	

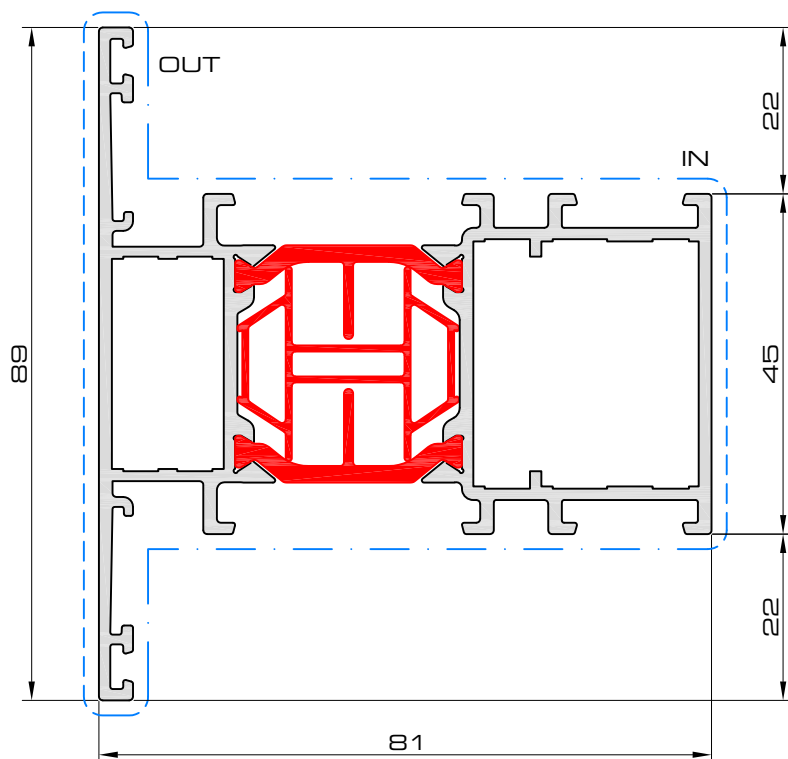


P-03-A320



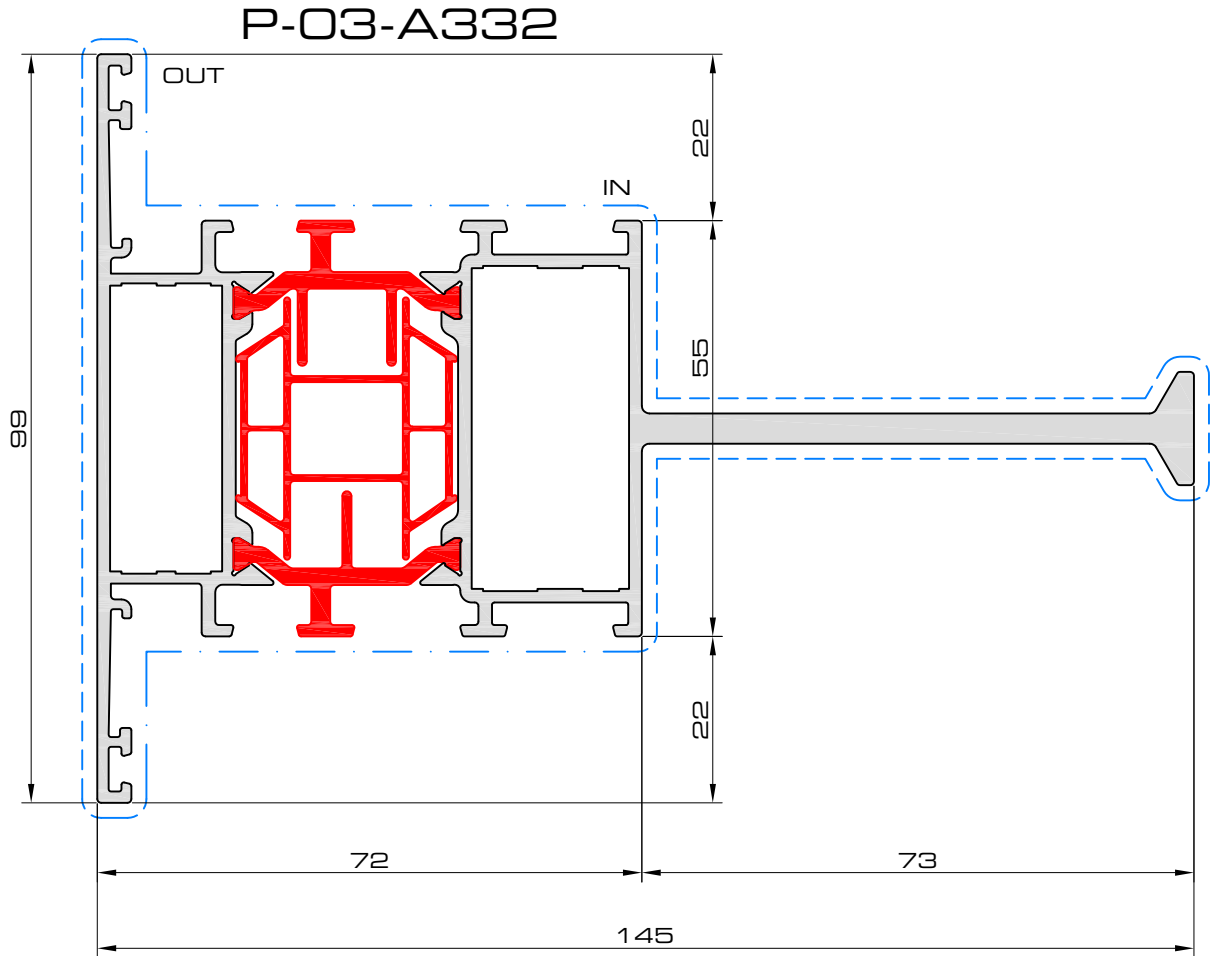
	OUT	IN
	A-TV-064	A-TV-001
	A-TV-057	A-TV-005
	A-VT-1115	A-VT-1621
	$I_x = 39.72\text{cm}^4$ $I_y = 8.86\text{cm}^4$ $W_x = 9.11\text{cm}^3$ $W_y = 2.8\text{cm}^3$	

P-03-A321



	OUT	IN
	A-TV-065	A-TV-002
	A-VT-2715L	A-VT-3221L
	A-VT-2715R	A-VT-3221R
	$I_x = 56.88\text{cm}^4$ $I_y = 24.29\text{cm}^4$ $W_x = 12.18\text{cm}^3$ $W_y = 5.46\text{cm}^3$	

prof22

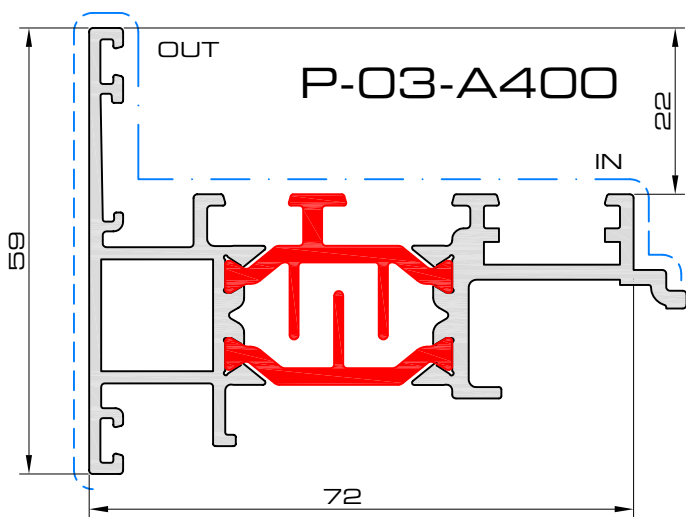


	OUT	IN
	-	-
	-	-
	A-TV-066	A-TV-003

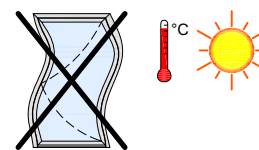
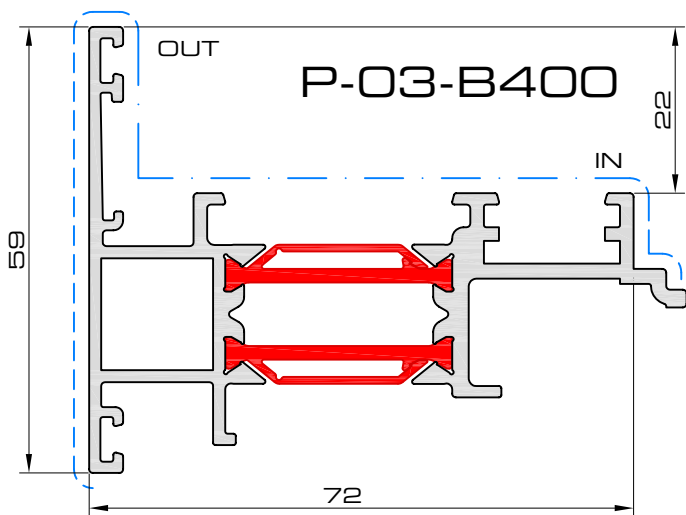
	$I_x = 216.15\text{cm}^4$
	$I_y = 34.38\text{cm}^4$
	$W_x = 24.73\text{cm}^3$
	$W_y = 6.95\text{cm}^3$

PROFILE SECTION

prof55



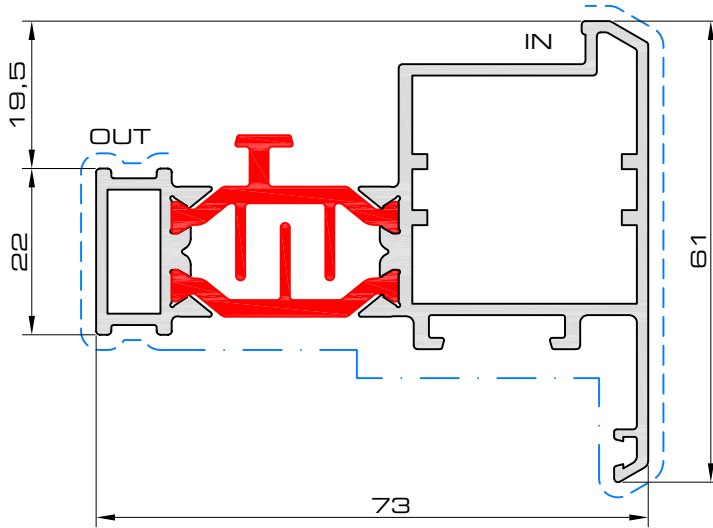
	$I_x = 30.28\text{cm}^4$
	$I_y = 6.75\text{cm}^4$
	$W_x = 6.16\text{cm}^3$
	$W_y = 2\text{cm}^3$



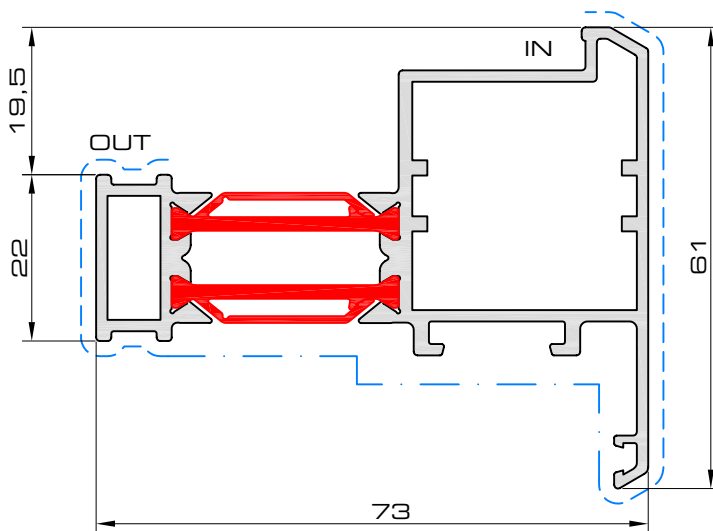
prof14



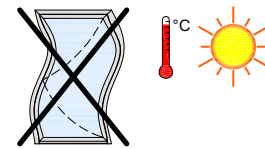
P-03-A405



P-03-B405

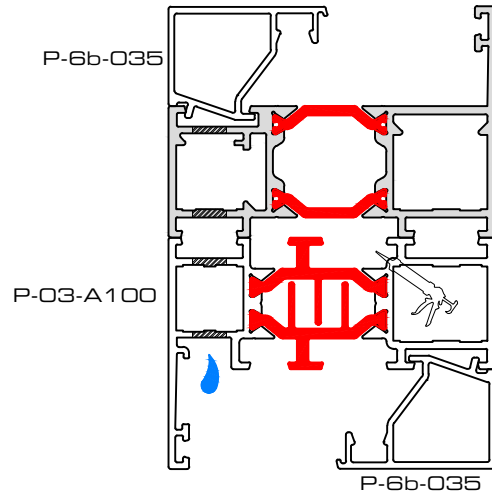
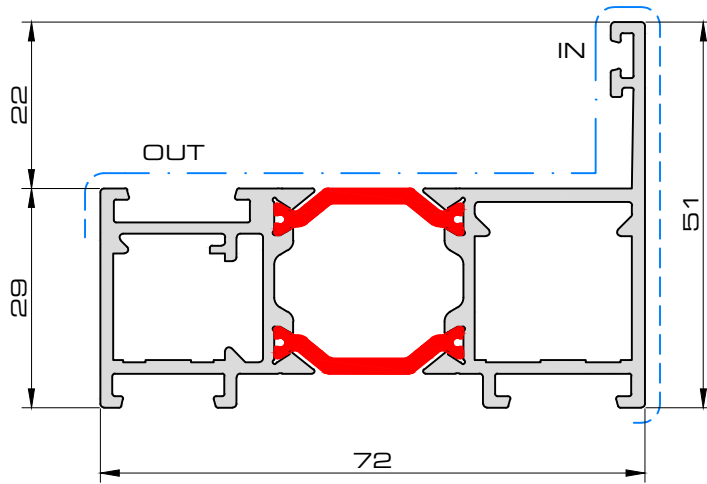


	OUT	IN
	A-PH-1607	A-PH-3025
	A-PH-1607	A-SH-3025
	-	-
	-	-
	$I_x = 28\text{cm}^4$ $I_y = 8.58\text{cm}^4$ $W_x = 6.51\text{cm}^3$ $W_y = 2.59\text{cm}^3$	





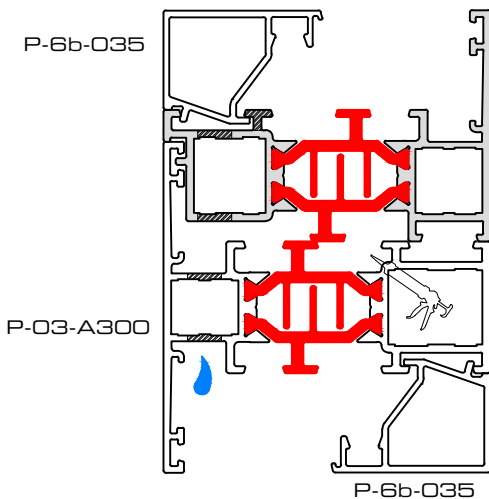
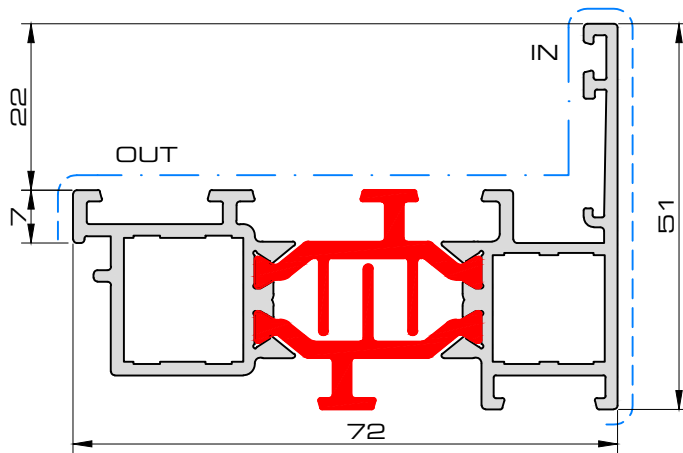
P-03-403



OUT IN

	A-PH-1415	A-PH-1621
	A-SH-1415	A-SH-1621
	$I_x = 30.72\text{cm}^4$ $I_y = 6.93\text{cm}^4$ $W_x = 7.91\text{cm}^3$ $W_y = 2.11\text{cm}^3$	

P-03-A404



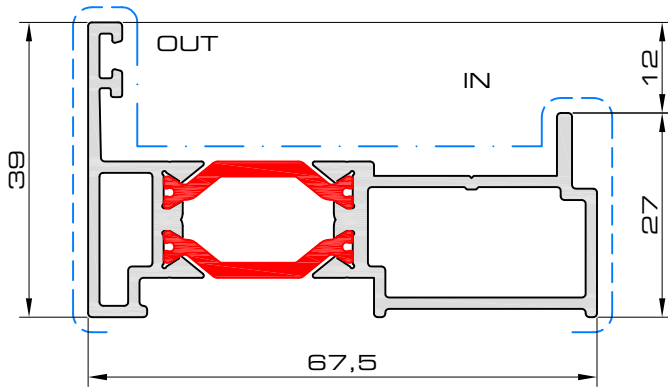
OUT IN

	A-PH-1616	A-PH-1415
	A-PH-1616	A-SH-1415
	$I_x = 26.47\text{cm}^4$ $I_y = 5.43\text{cm}^4$ $W_x = 6.31\text{cm}^3$ $W_y = 1.68\text{cm}^3$	

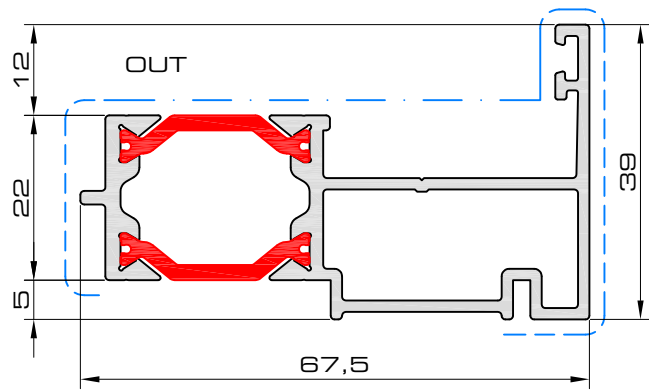
prof32



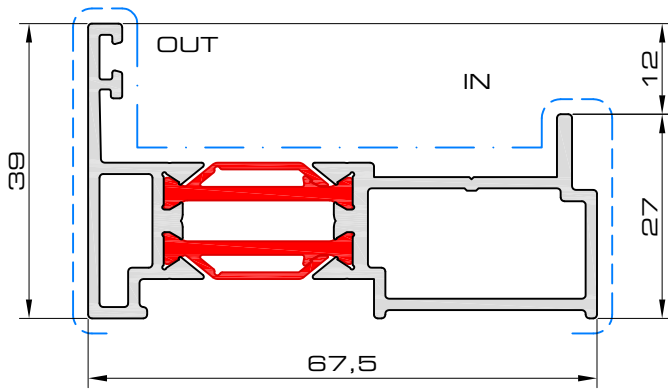
P-03-424



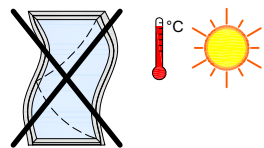
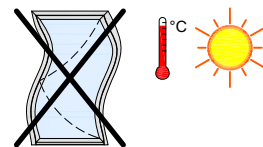
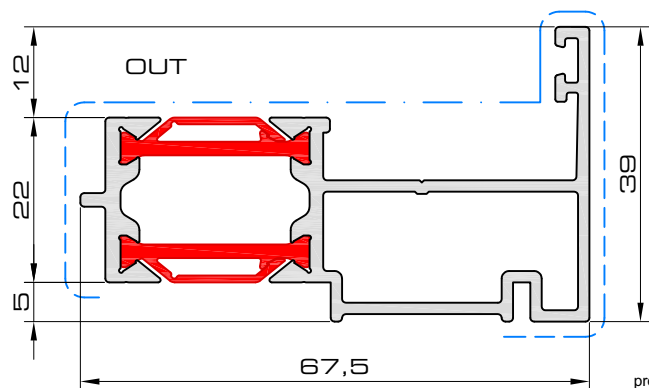
P-03-425



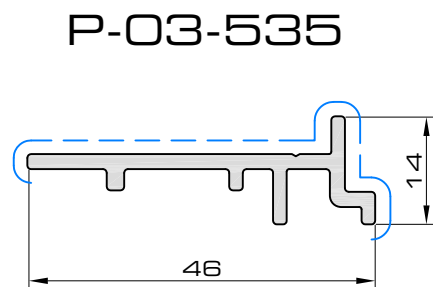
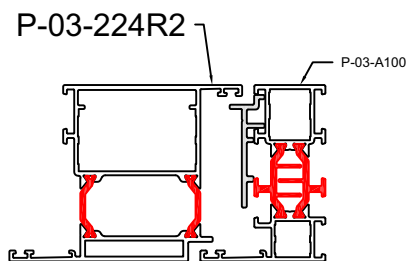
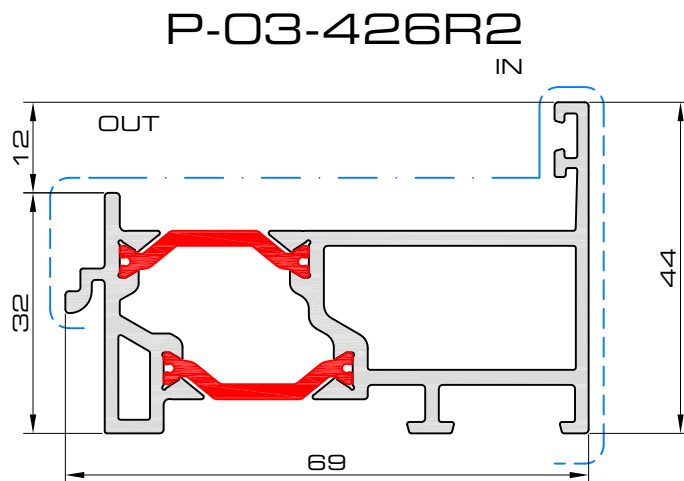
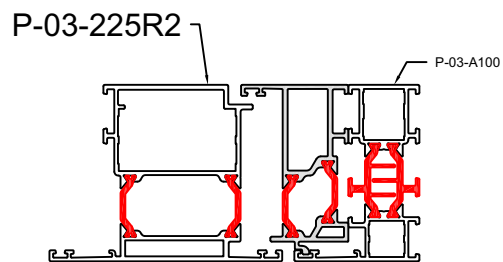
P-03-B424



P-03-B425



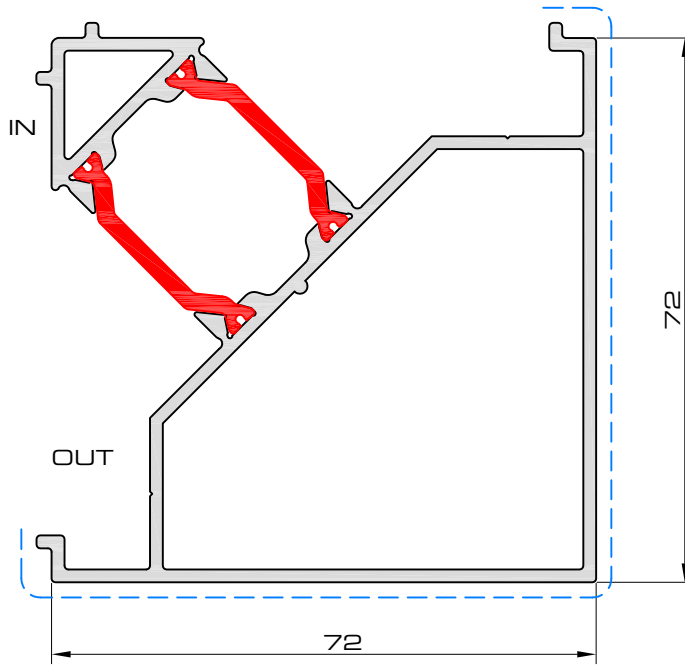
prof76



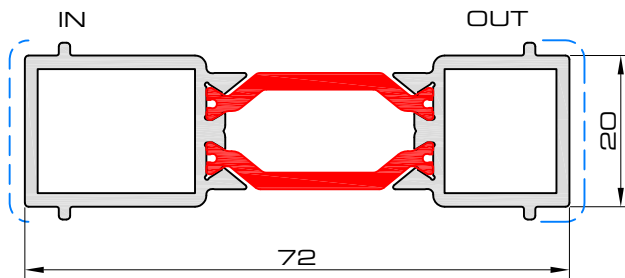
prof36r2



P-03-500

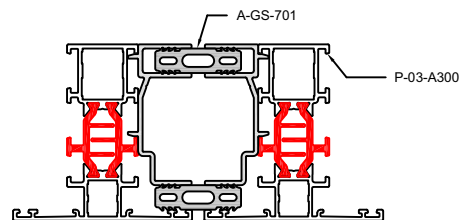
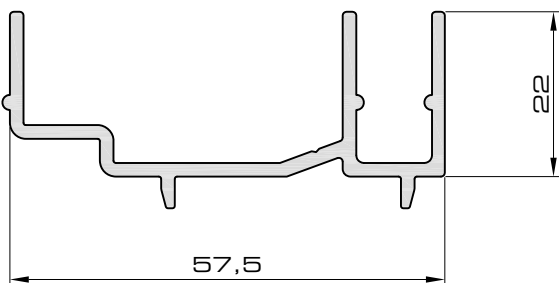


P-03-510



	$I_x = 20.31\text{cm}^4$
	$I_y = 1.76\text{cm}^4$
	$W_x = 5.64\text{cm}^3$
	$W_y = 1.51\text{cm}^3$

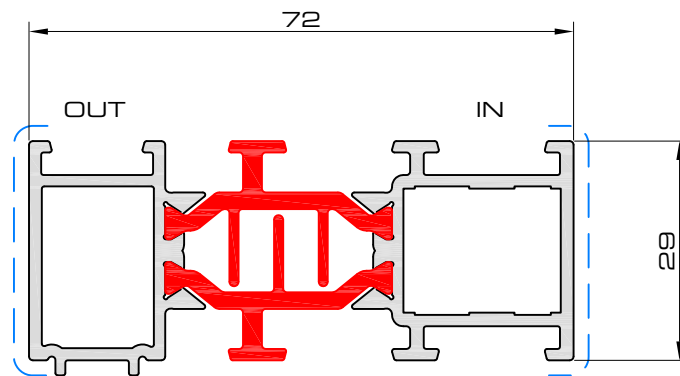
P-03-530



prof16

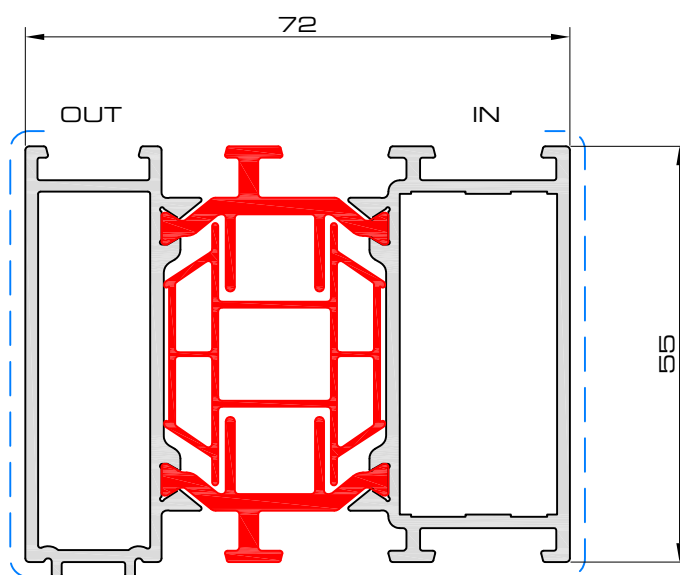


P-03-A514



	$I_x = 24.82\text{cm}^4$
	$I_y = 3.27\text{cm}^4$
	$W_x = 6.82\text{cm}^3$
	$W_y = 2.03\text{cm}^3$

P-03-A515

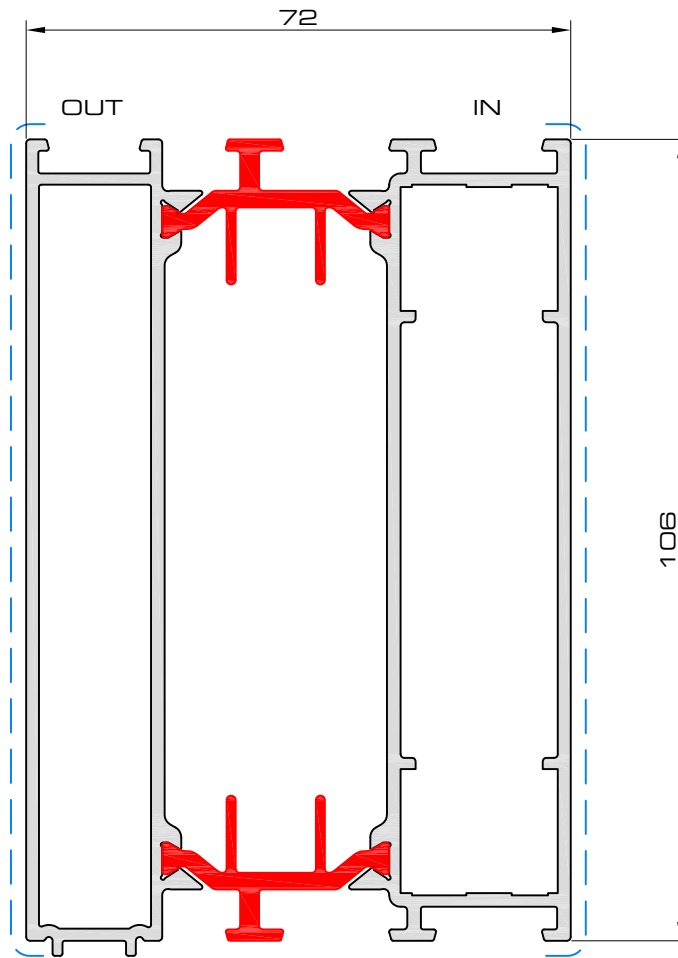


	$I_x = 38.25\text{cm}^4$
	$I_y = 19.24\text{cm}^4$
	$W_x = 10.55\text{cm}^3$
	$W_y = 6.6\text{cm}^3$

prof25



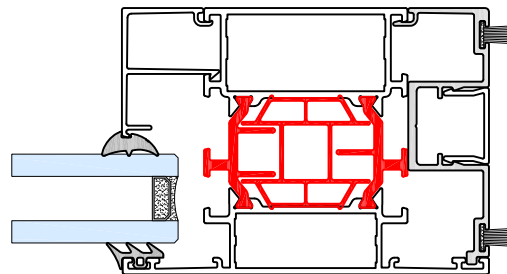
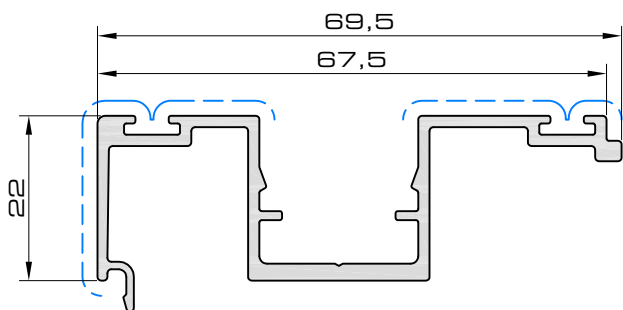
P-03-A516



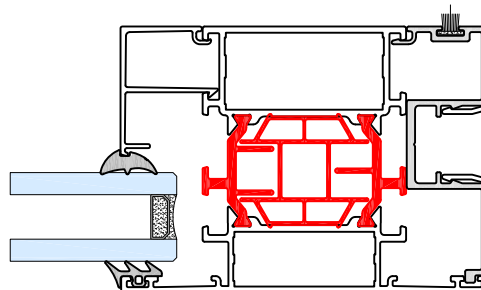
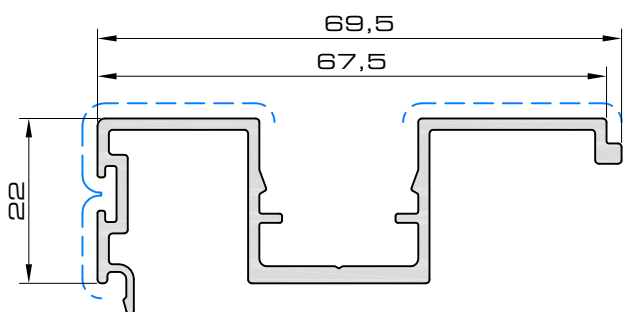
	$I_x = 65.08\text{cm}^4$
	$I_y = 113.84\text{cm}^4$
	$W_x = 17.87\text{cm}^3$
	$W_y = 20.82\text{cm}^3$



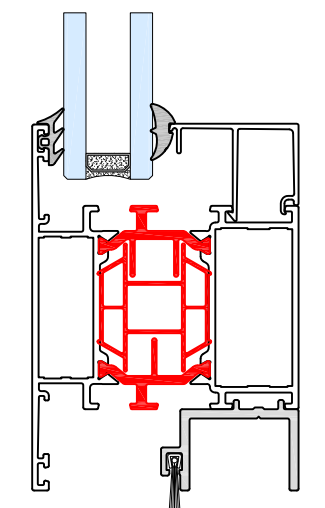
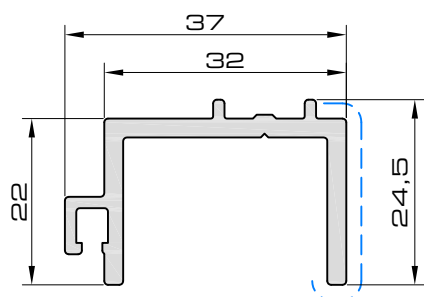
P-03-550



P-03-551



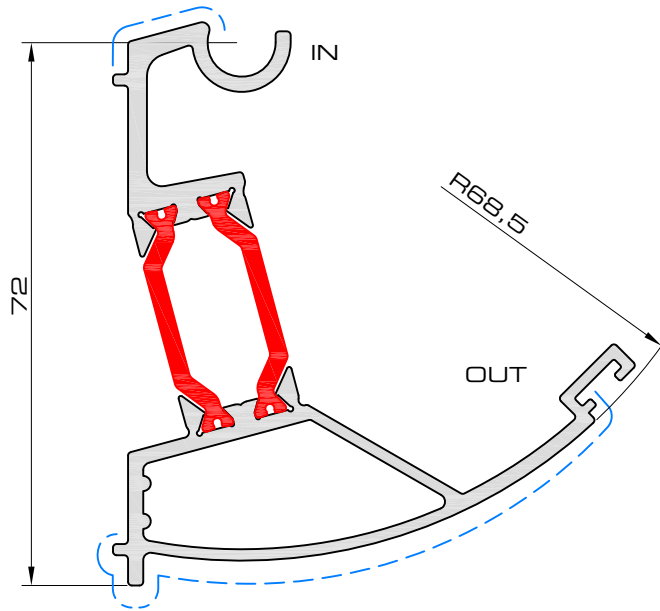
P-03-555



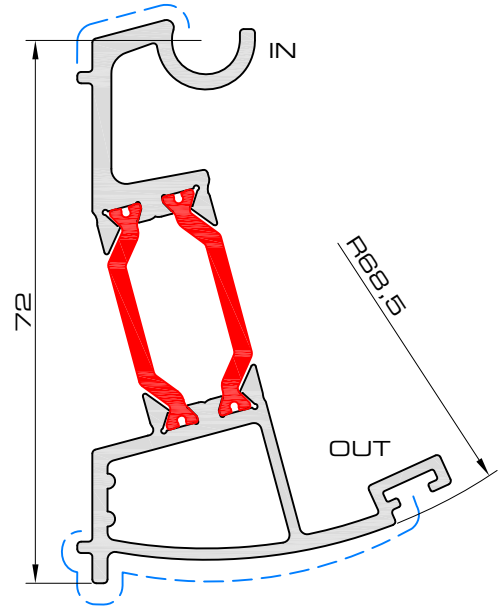
prof46



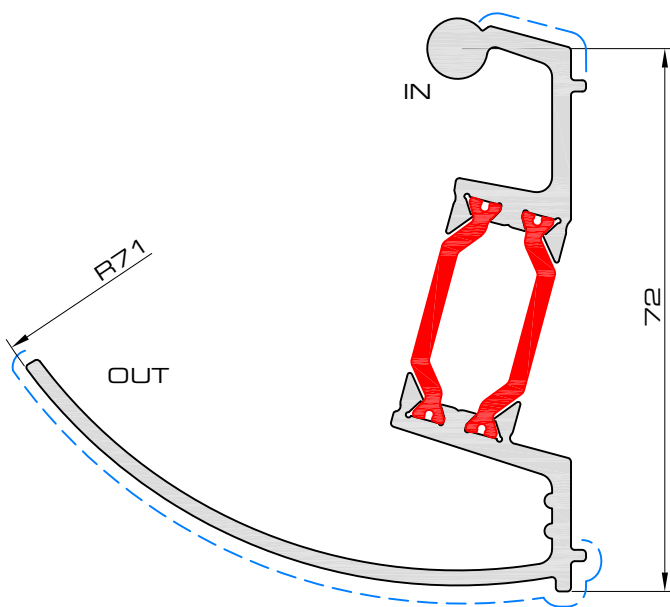
P-03-700



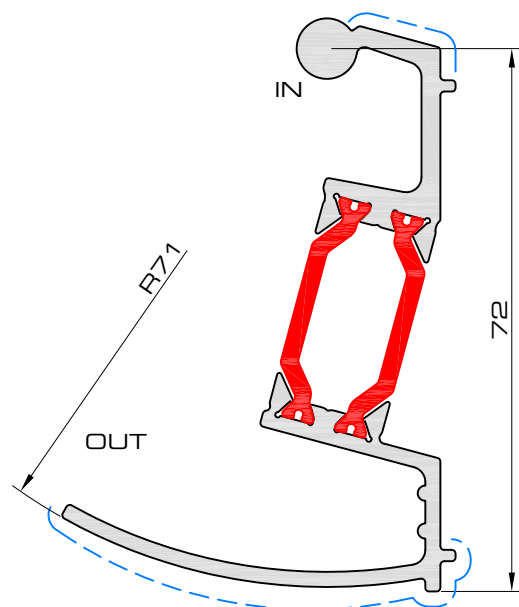
P-03-702



P-03-701



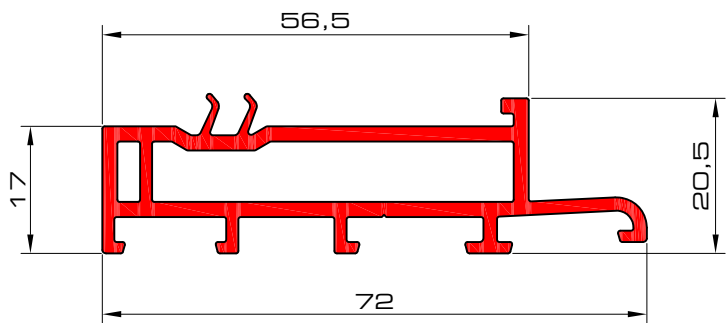
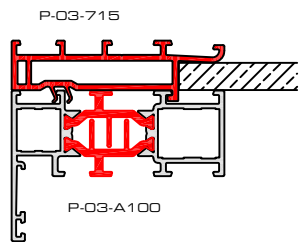
P-03-703



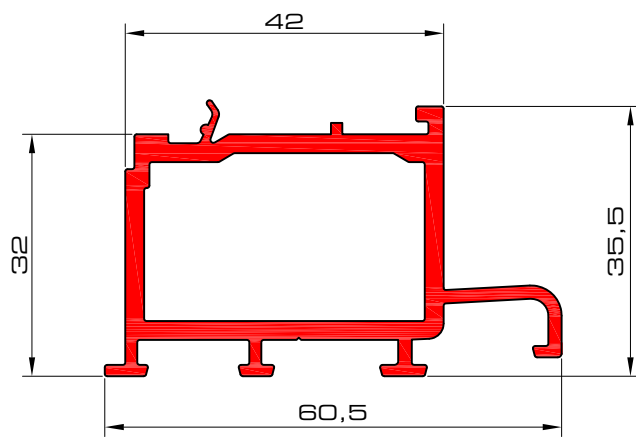
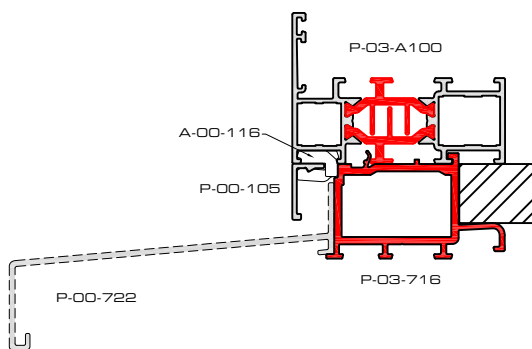
prof15



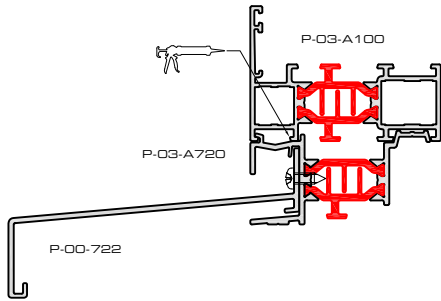
P-03-715



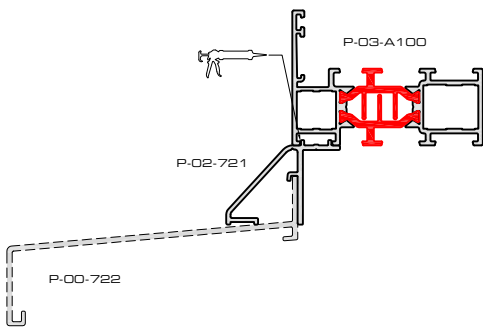
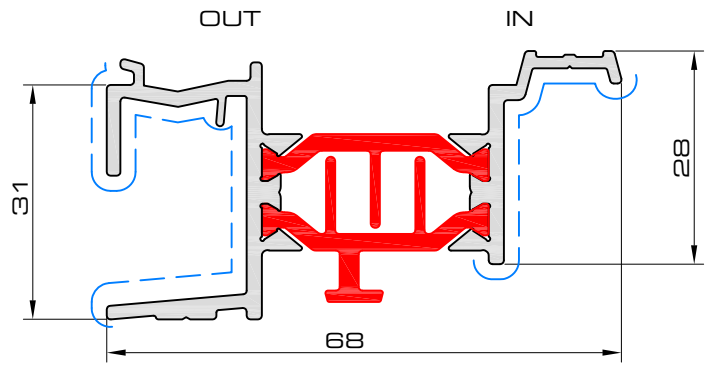
P-03-716



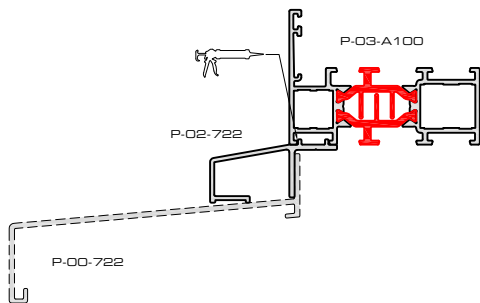
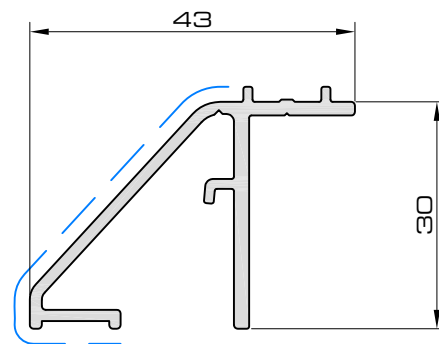
prof33



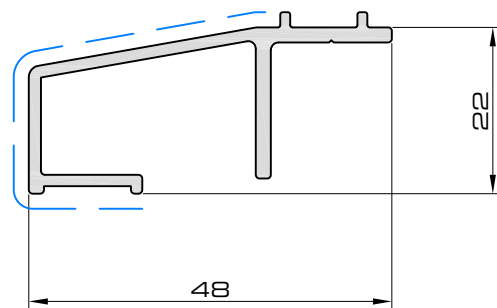
P-03-A720



P-02-721



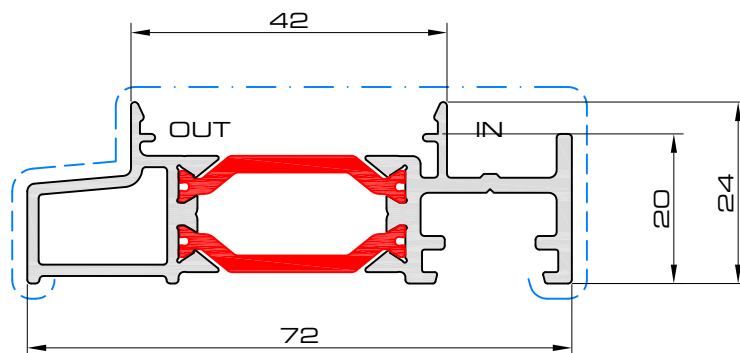
P-02-722



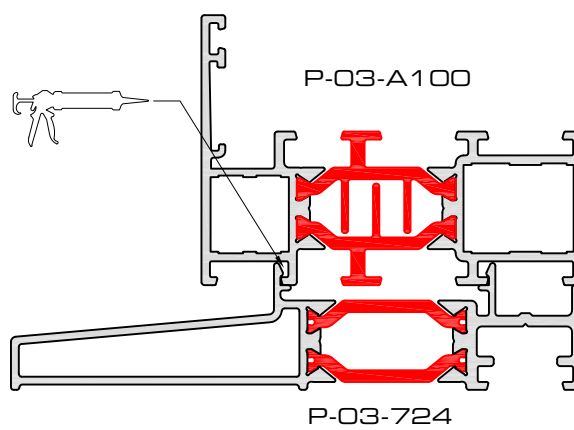
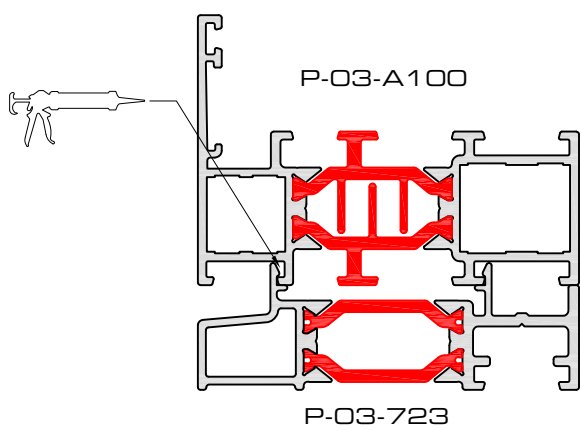
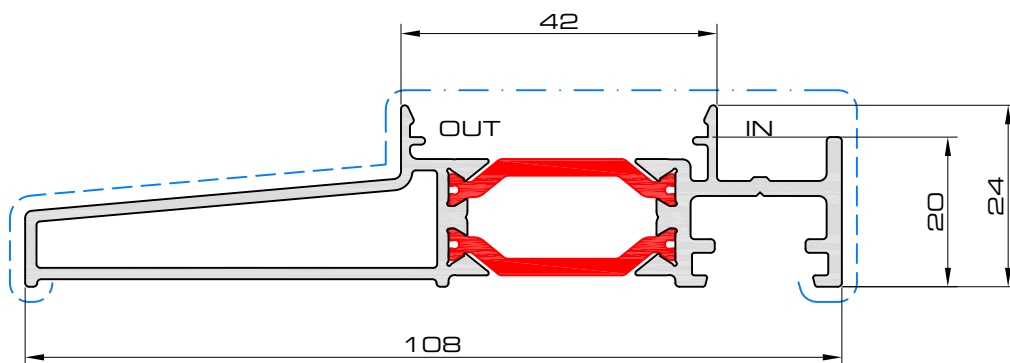
prof23



P-03-723



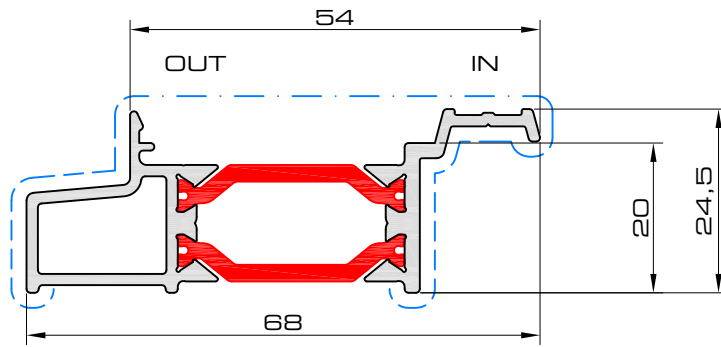
P-03-724



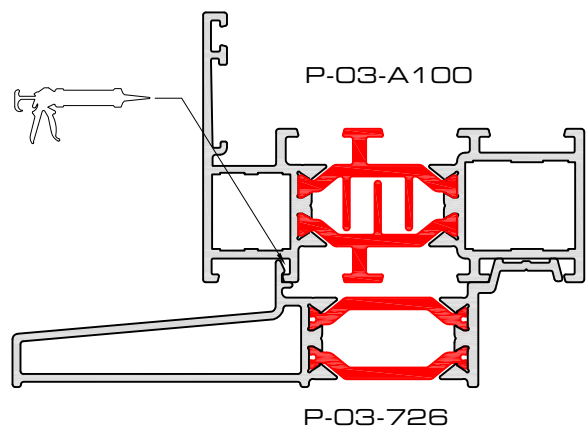
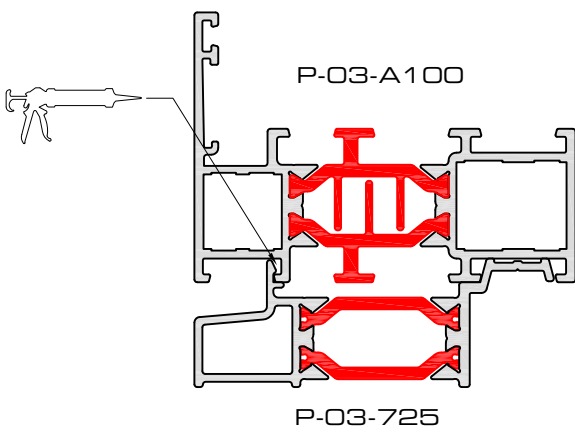
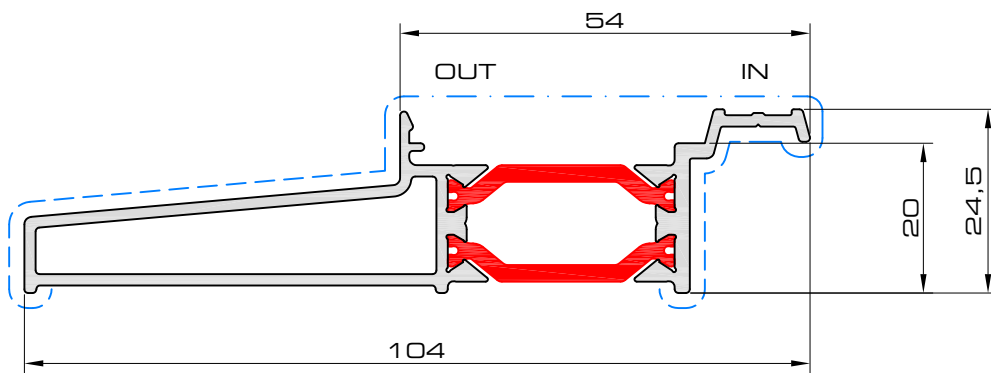
prof39



P-03-725



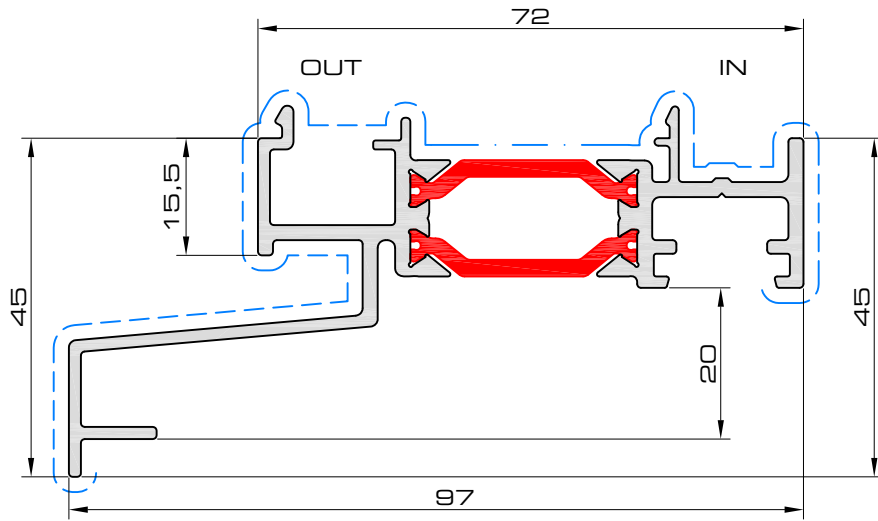
P-03-726



prof40

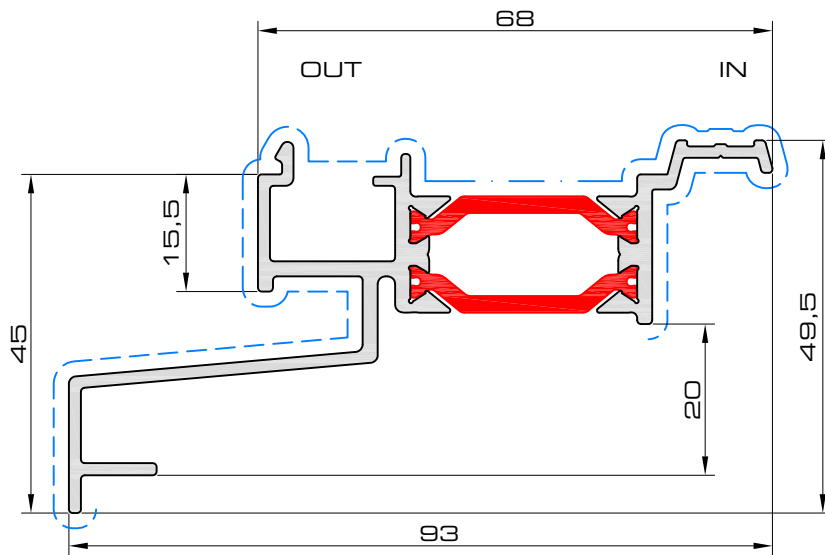


P-03-727

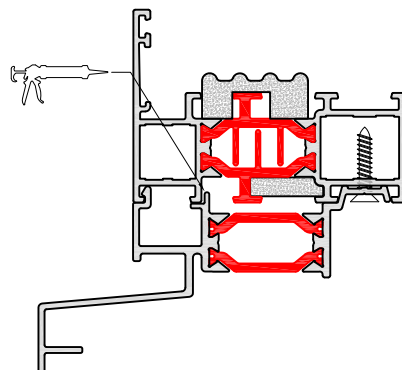
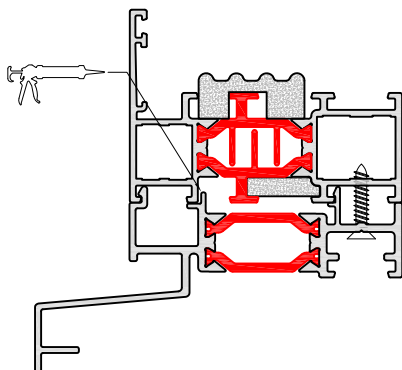


	$I_x = 39.84\text{cm}^4$
	$I_y = 5.09\text{cm}^4$
	$W_x = 8.02\text{cm}^3$
	$W_y = 1.7\text{cm}^3$

P-03-728



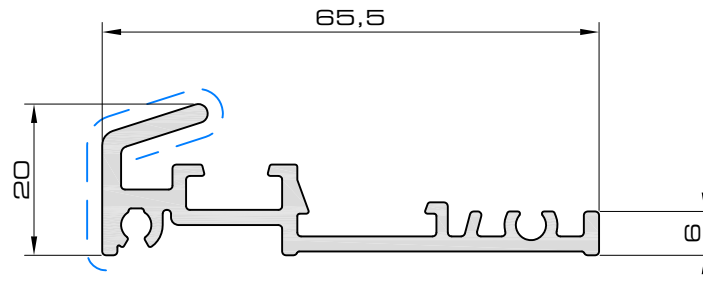
	$I_x = 25.35\text{cm}^4$
	$I_y = 5.41\text{cm}^4$
	$W_x = 4.97\text{cm}^3$
	$W_y = 1.8\text{cm}^3$



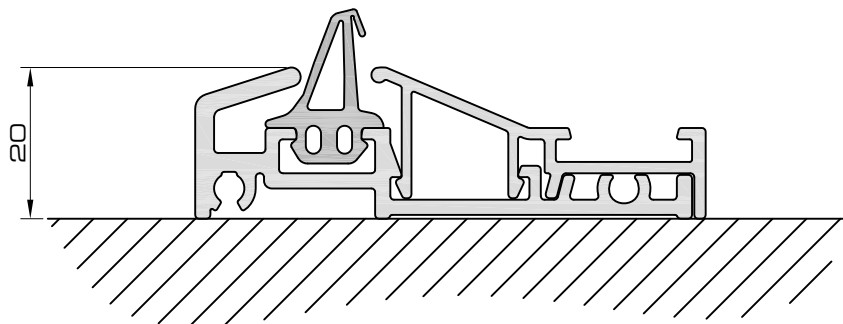
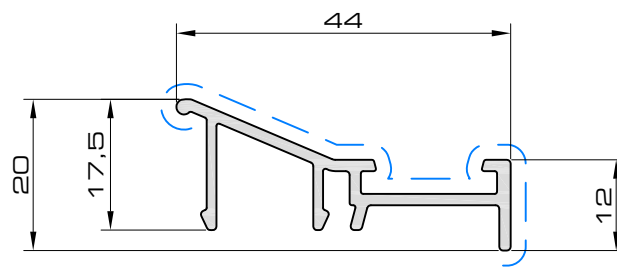
prof54



P-03-903



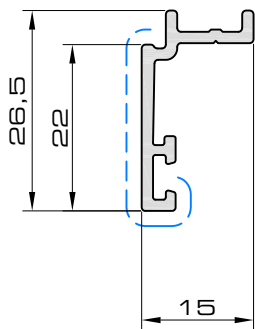
P-03-904



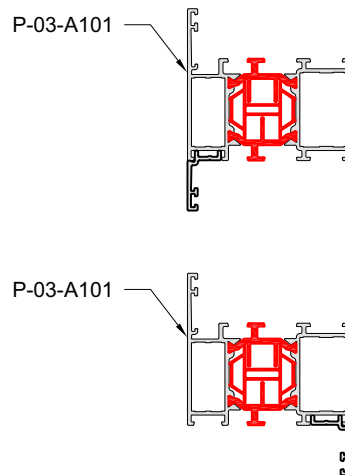
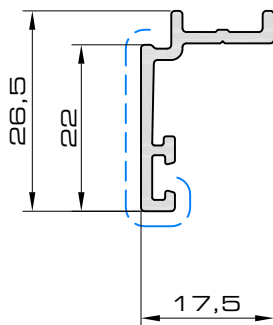
prof77



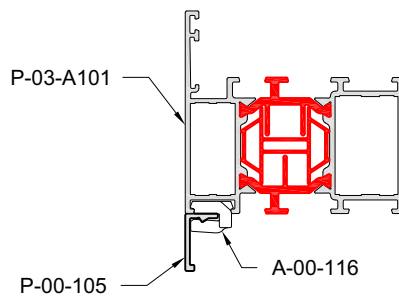
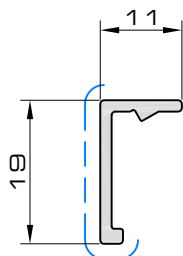
P-00-100



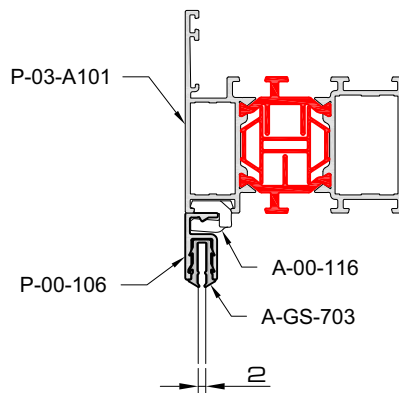
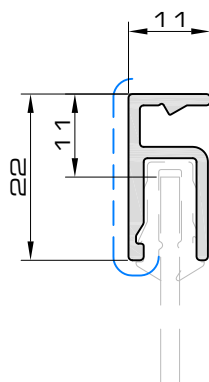
P-00-101



P-00-105



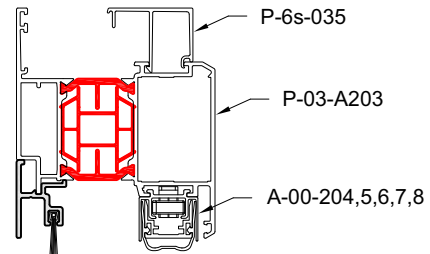
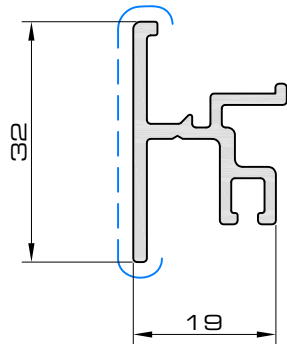
P-00-106



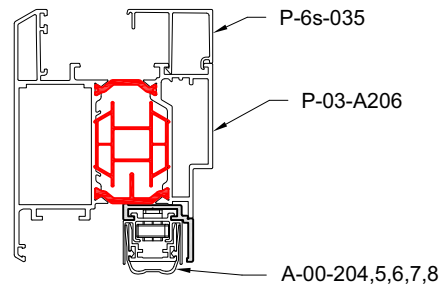
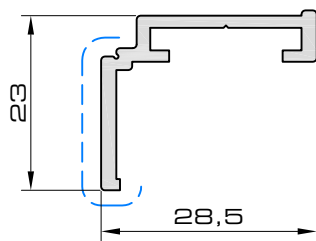
prof26



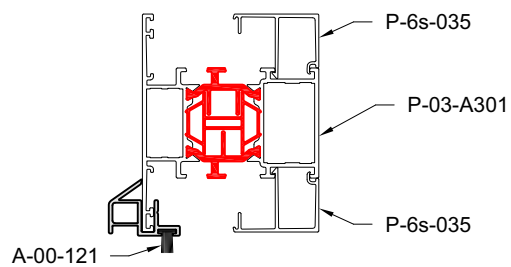
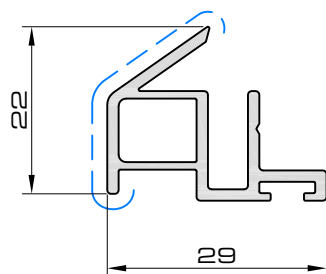
P-00-203



P-00-207

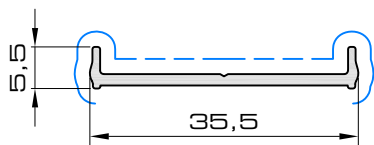


P-00-208

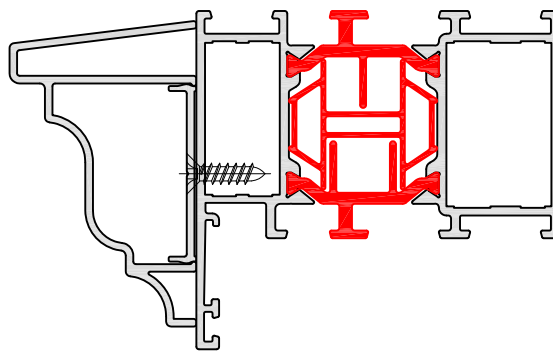
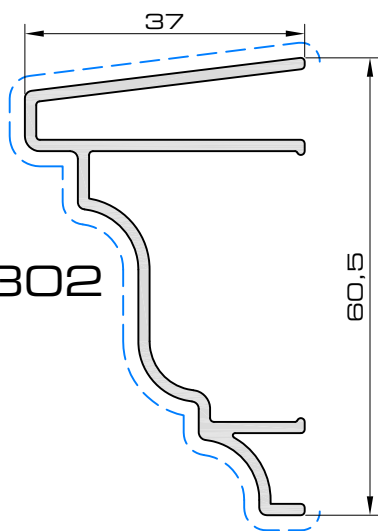




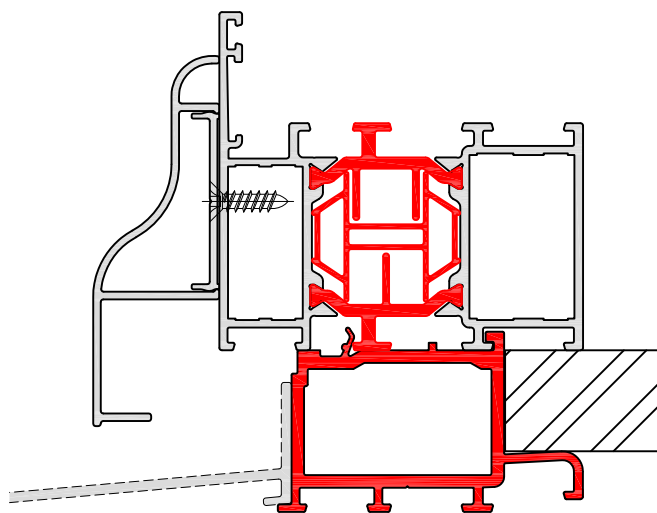
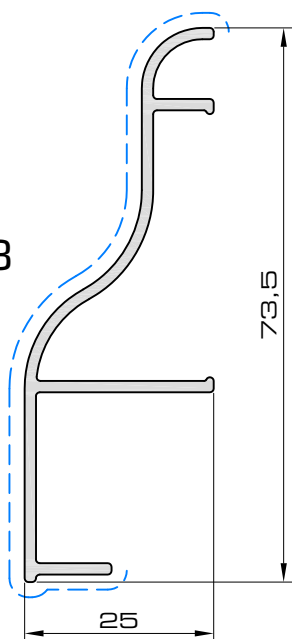
P-00-300



P-00-302



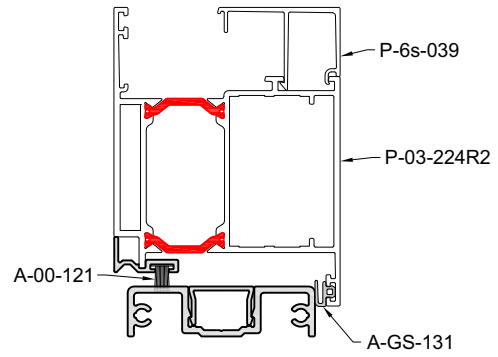
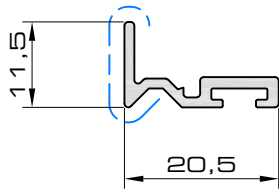
P-00-303



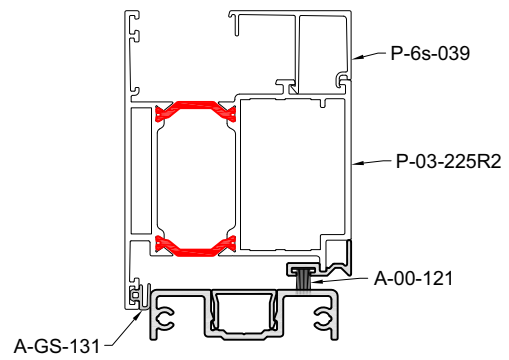
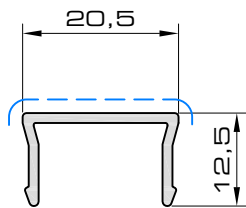
prof53



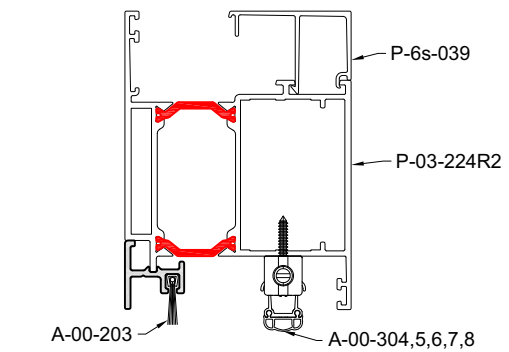
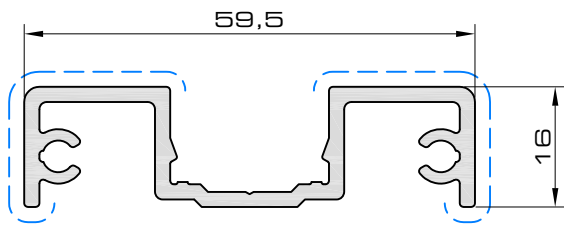
P-00-205



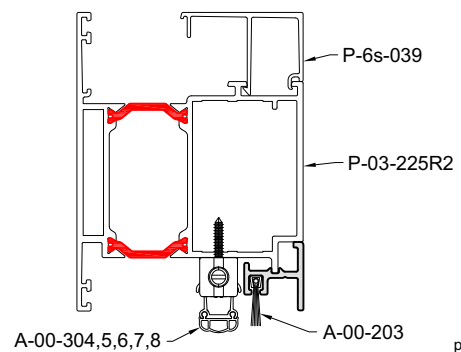
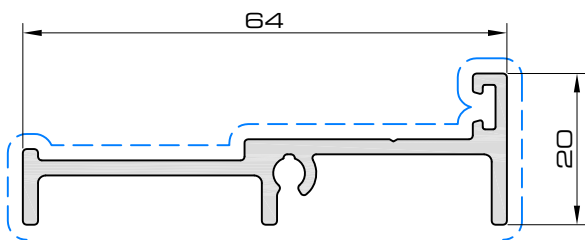
P-00-500



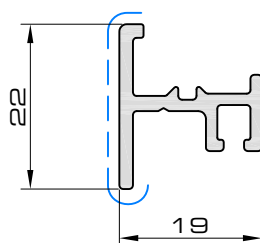
P-03-901



P-03-902



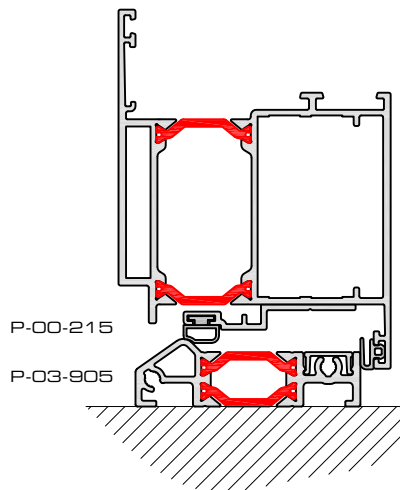
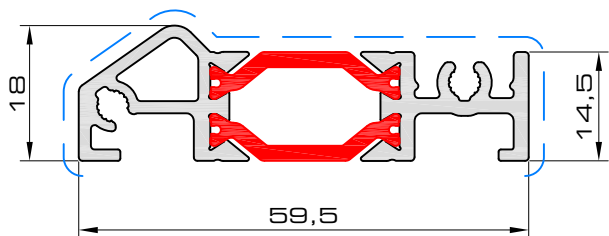
P-00-206



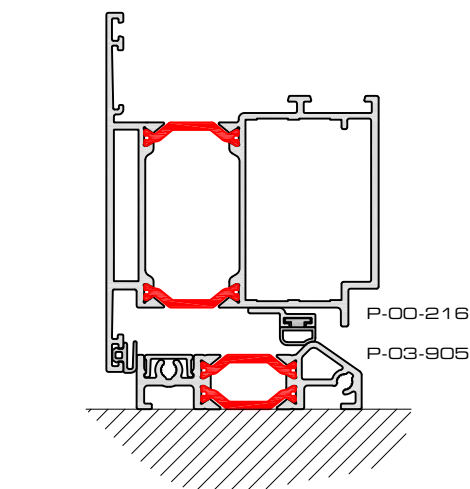
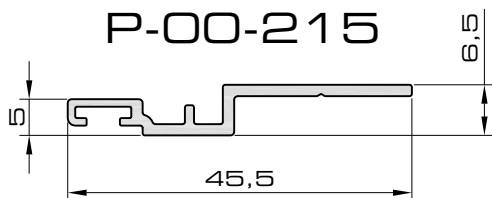
prof37r.



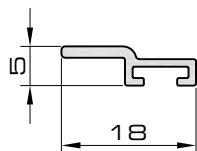
P-03-905



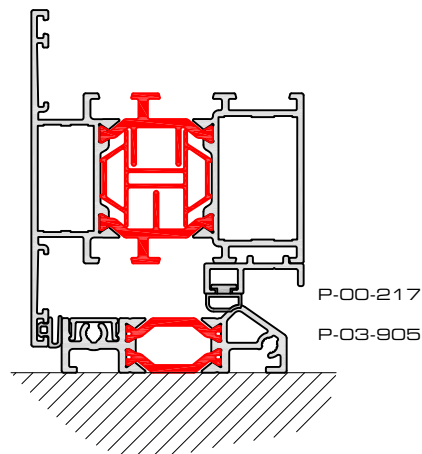
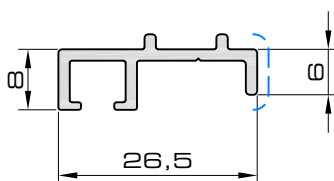
P-00-215



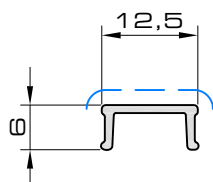
P-00-216



P-00-217



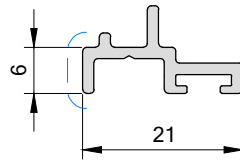
P-00-501



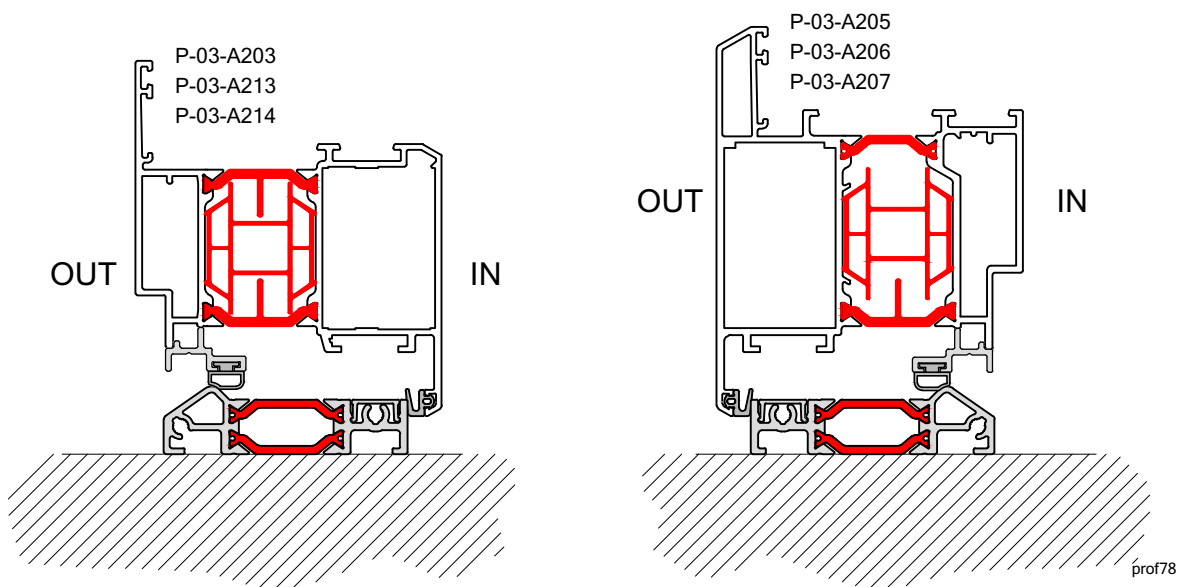
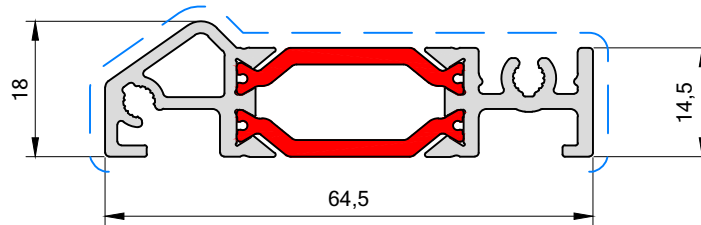
prof59



P-00-225

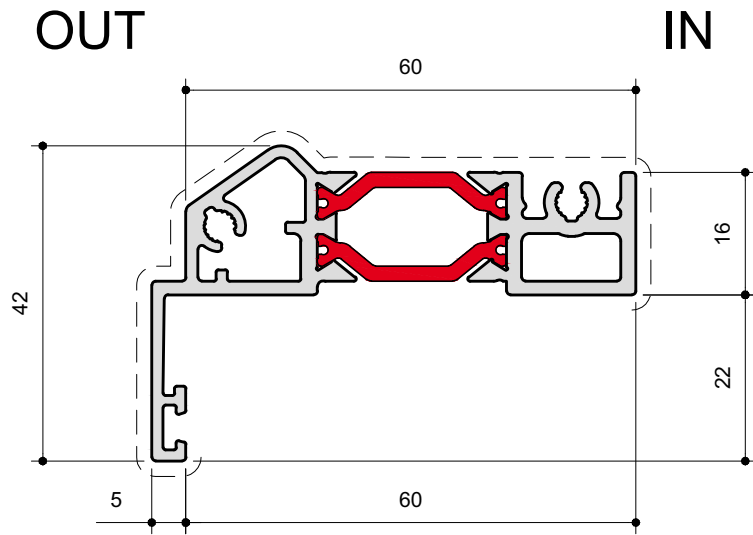


P-03-906





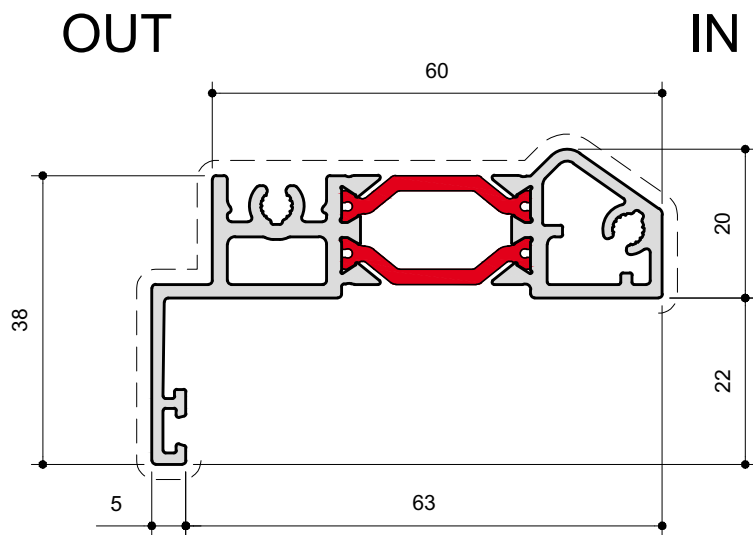
--- Primary surface
- - - Secondary surface



P-03-907

	98,6	mm		254	mm
--	------	----	--	-----	----

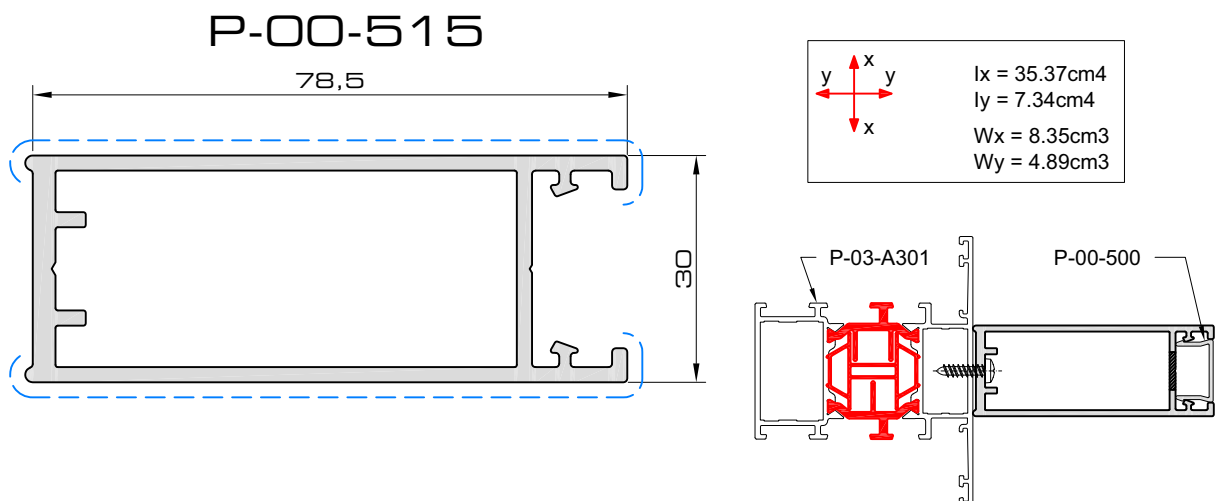
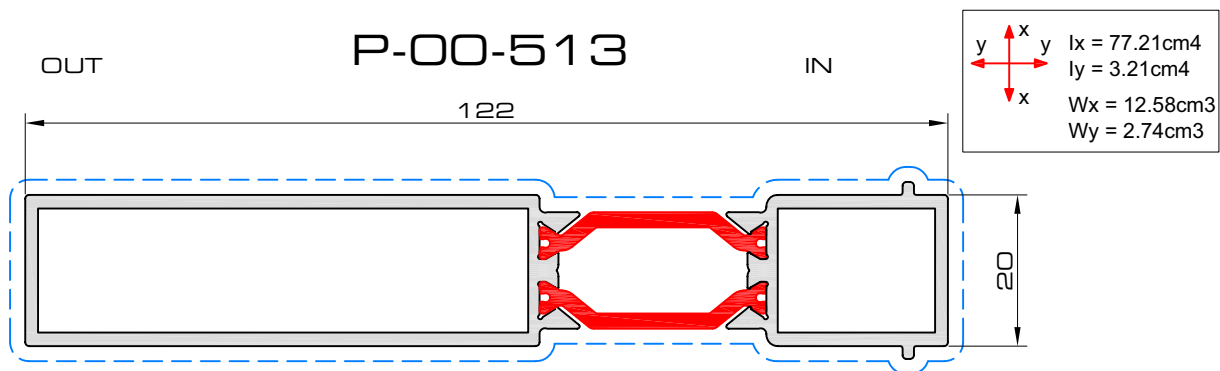
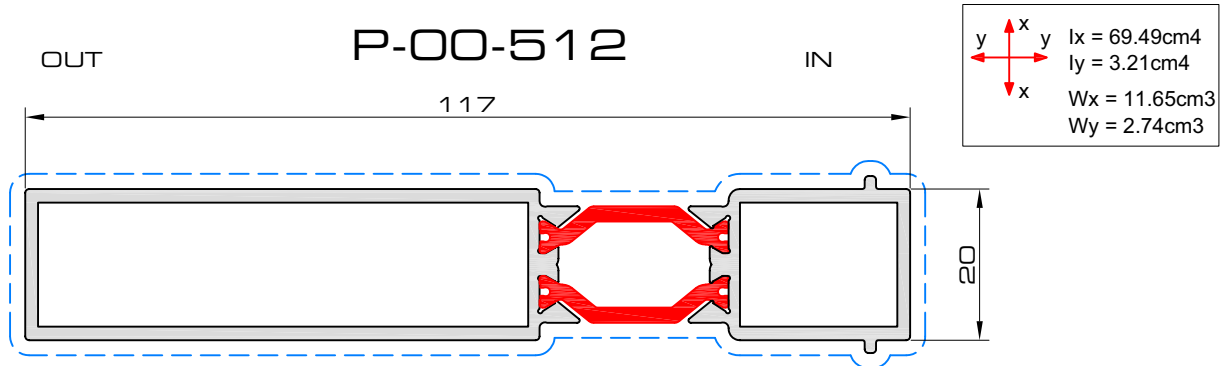
L [m] 6,5



P-03-908

	102	mm		261	mm
--	-----	----	--	-----	----

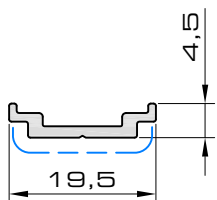
L [m] 6,5



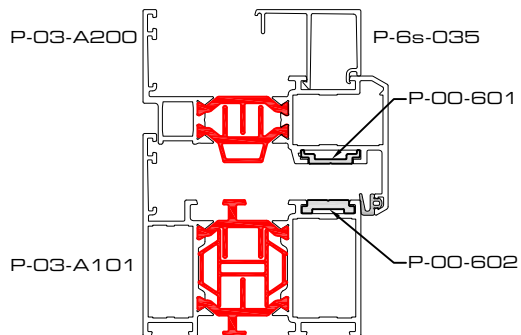
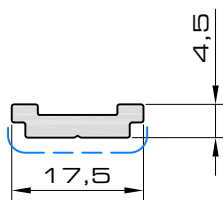
prof42



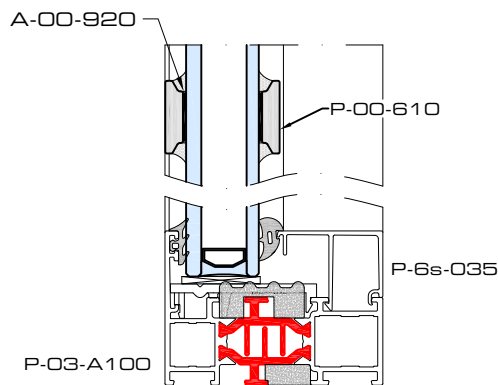
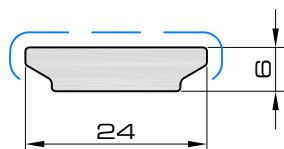
P-00-601



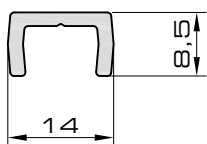
P-00-602



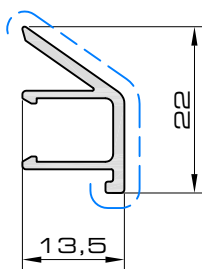
P-00-610



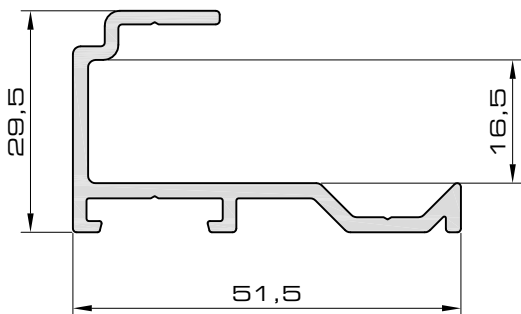
P-00-700



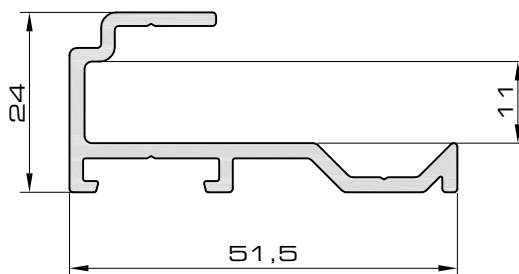
P-00-702



P-00-710



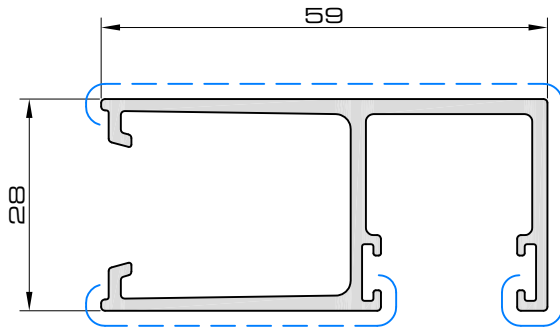
P-00-711



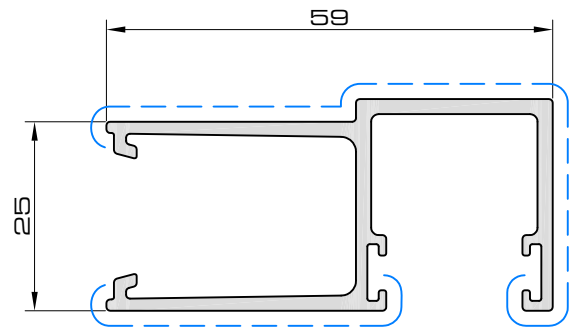
prof27



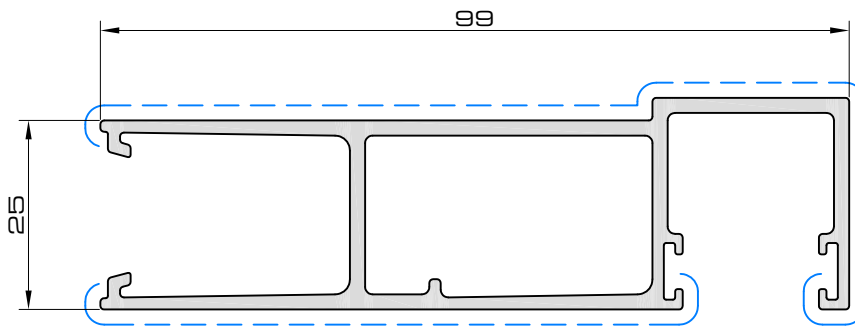
P-00-703



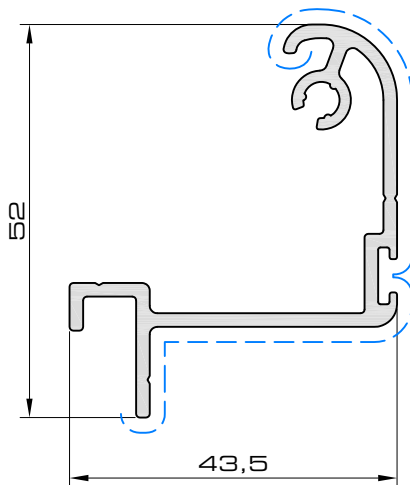
P-00-704



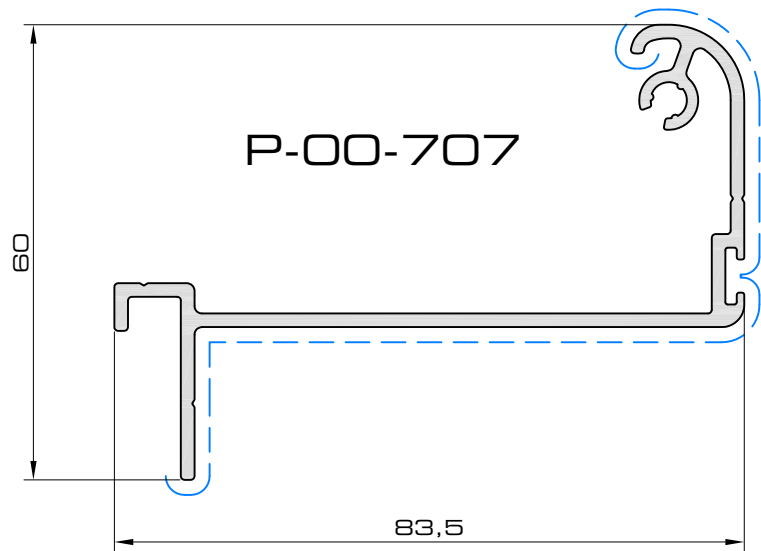
P-00-706



P-00-705



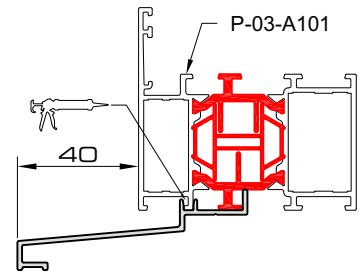
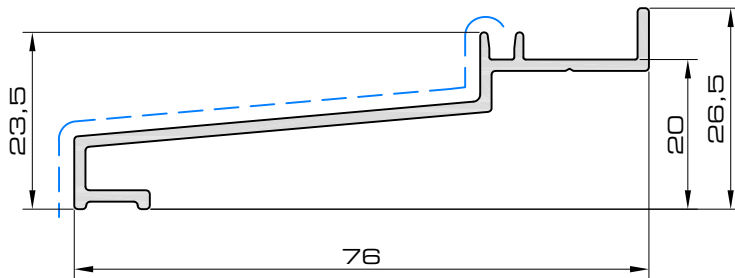
P-00-707



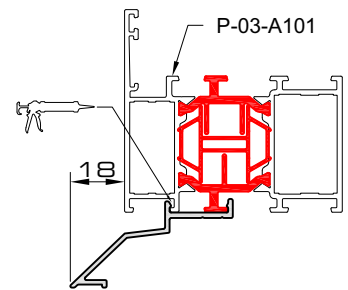
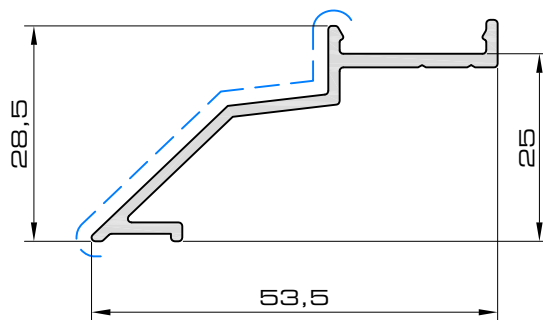
prof38



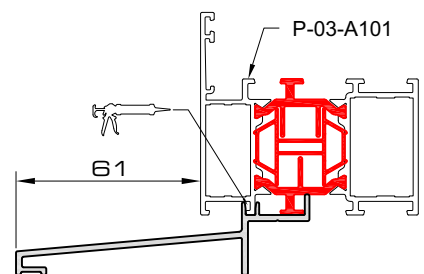
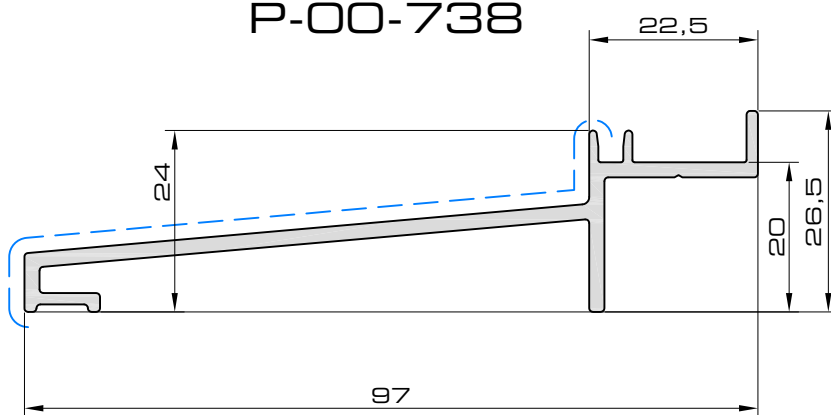
P-00-718



P-00-719



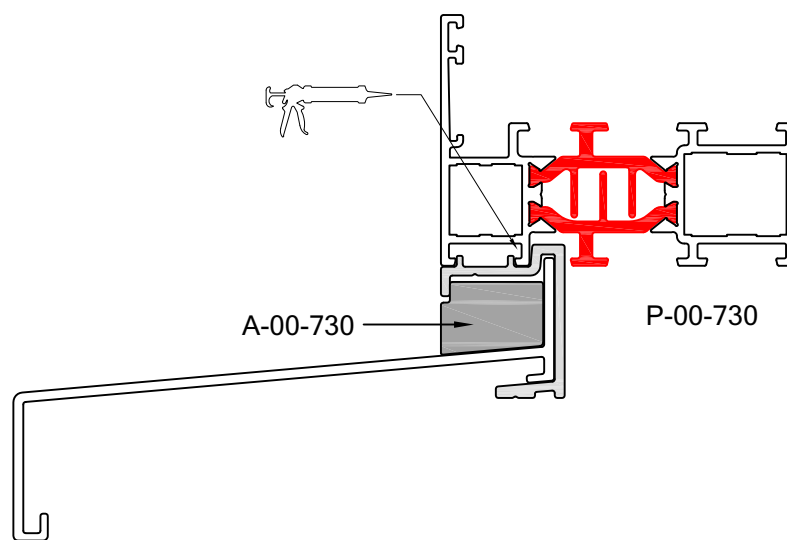
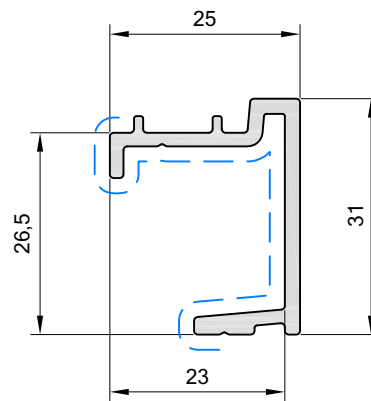
P-00-738

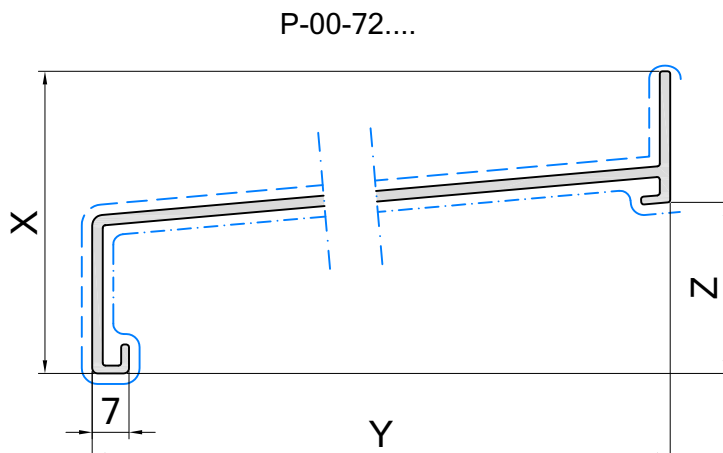
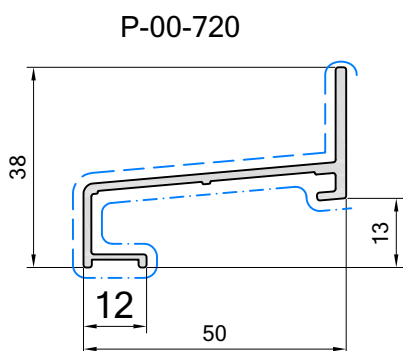


prof51

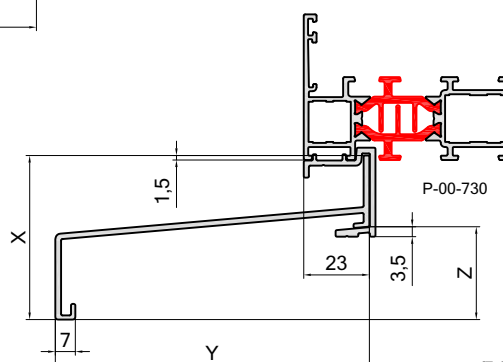
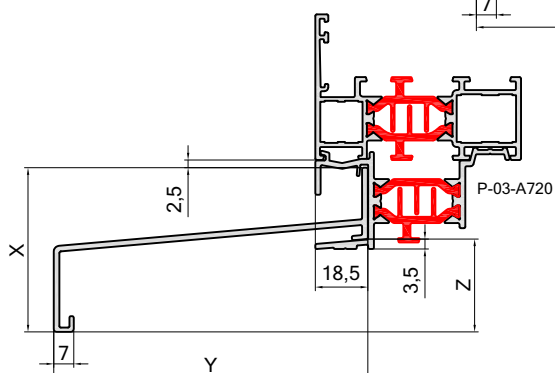
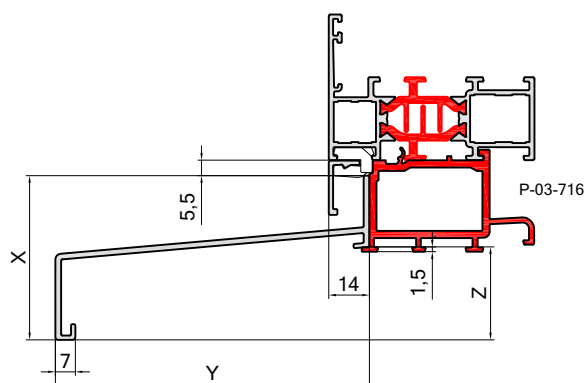


P-00-730





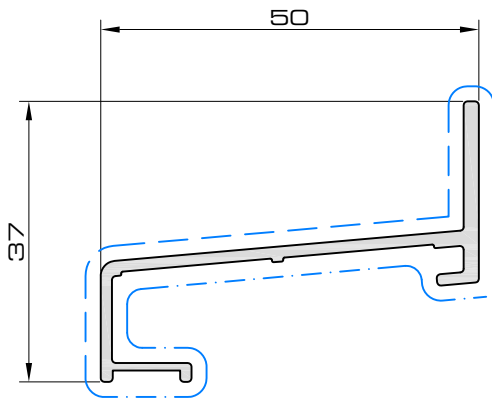
	X	Y	Z	koppelstuk piece raccord connector	afsluitstuk E piece lateral E sealing E	afsluitstuk EC piece lateral EC sealing EC
P-00-720	38	50	13	A-00-K050	A-00-EB143	A-00-ED143
P-00-721	55	80	30	A-00-K080	A-00-EB143	A-00-ED143
P-00-722	57,5	110	32,5	A-00-K110	A-00-EB143	A-00-ED143
P-00-723	60	140	35	A-00-K140	A-00-EB143	A-00-ED143
P-00-724	62	170	38	A-00-K170	A-00-EB233	A-00-ED233
P-00-725	64,5	200	40,5	A-00-K200	A-00-EB233	A-00-ED233
P-00-726	67	230	43	A-00-K230	A-00-EB233	A-00-ED233



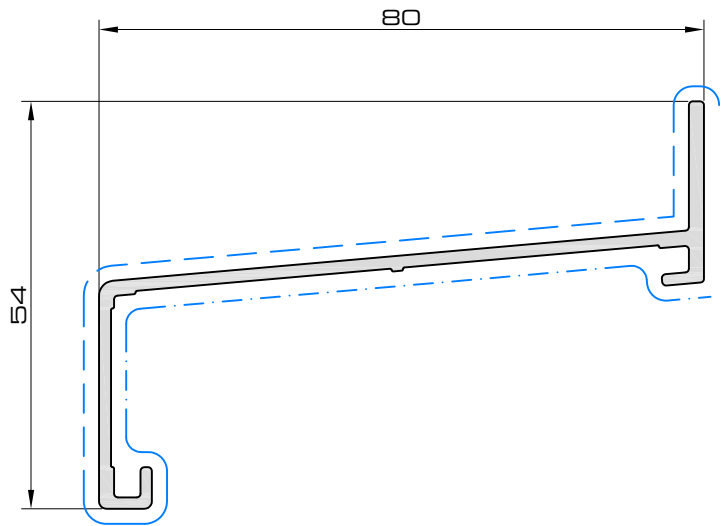
prof7-2



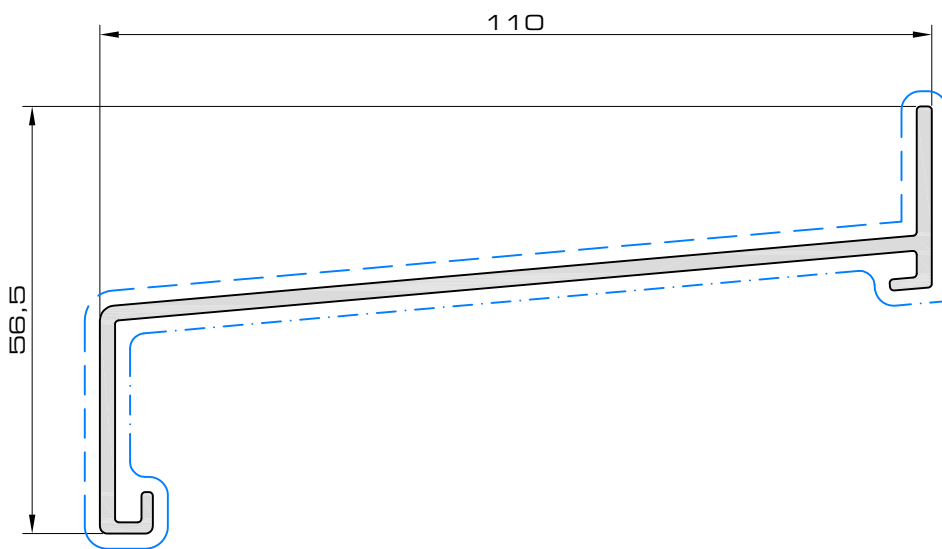
P-00-720



P-00-721



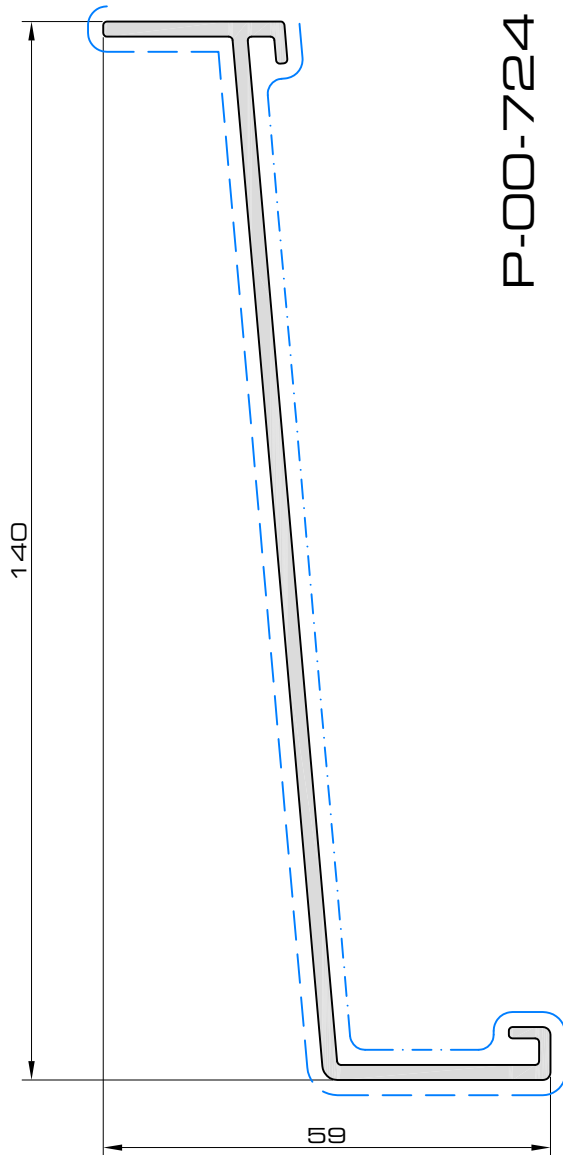
P-00-722



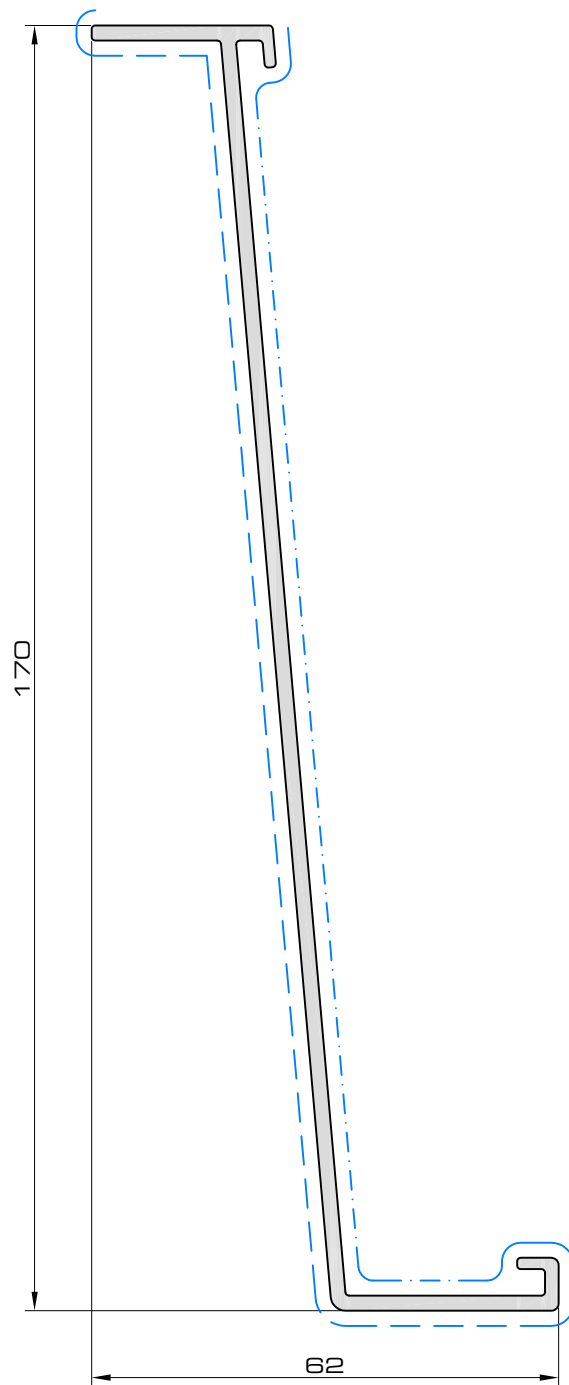
prof8



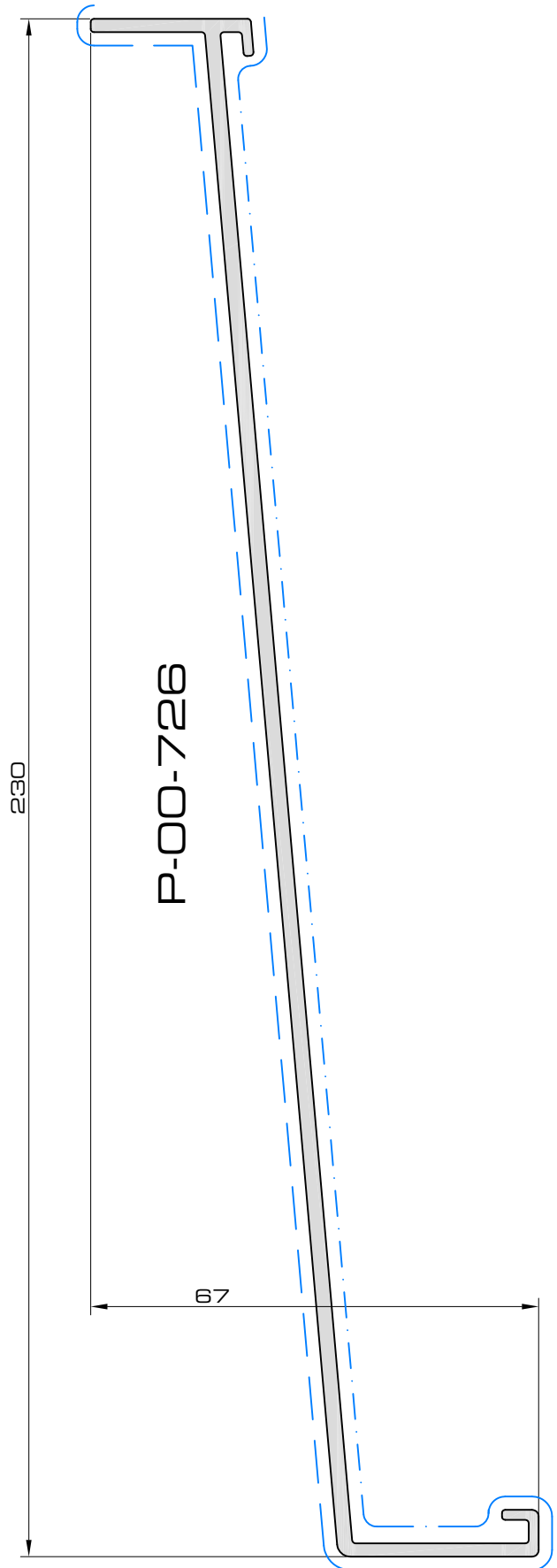
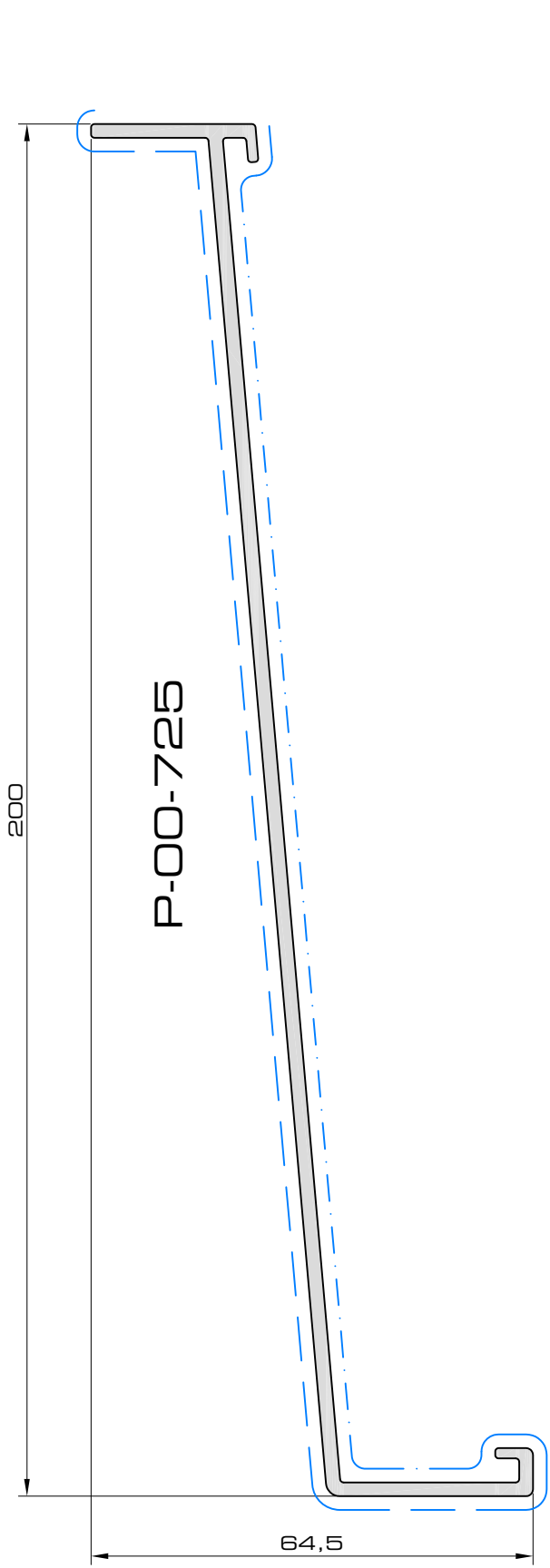
P-00-723



P-00-724



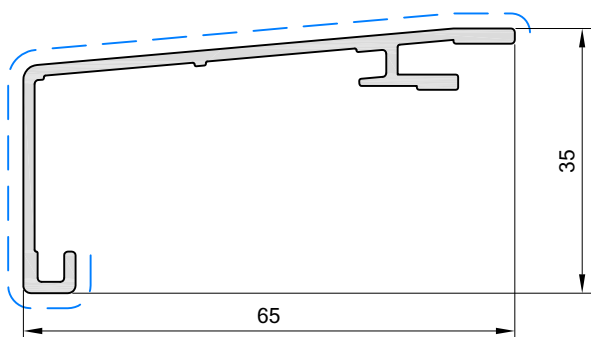
prof9



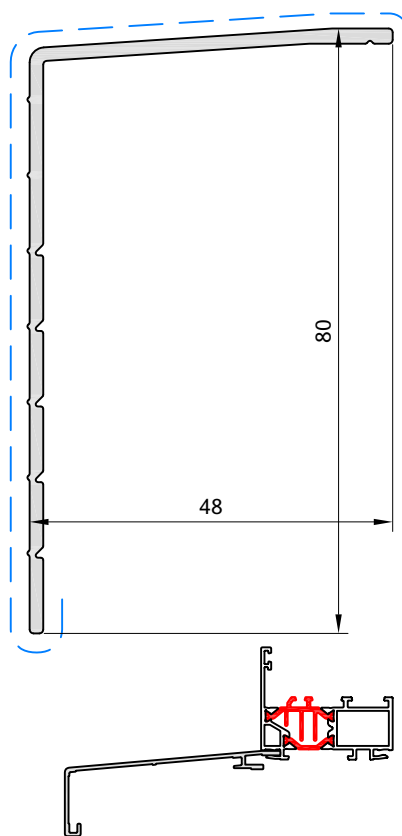
prof10



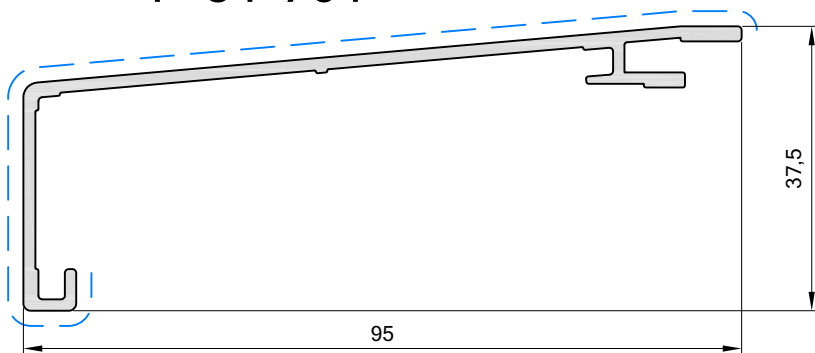
P-31-760



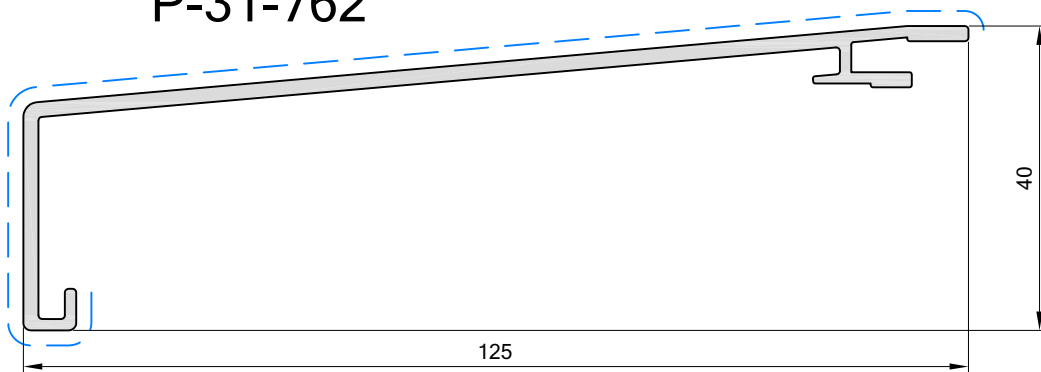
P-31-764



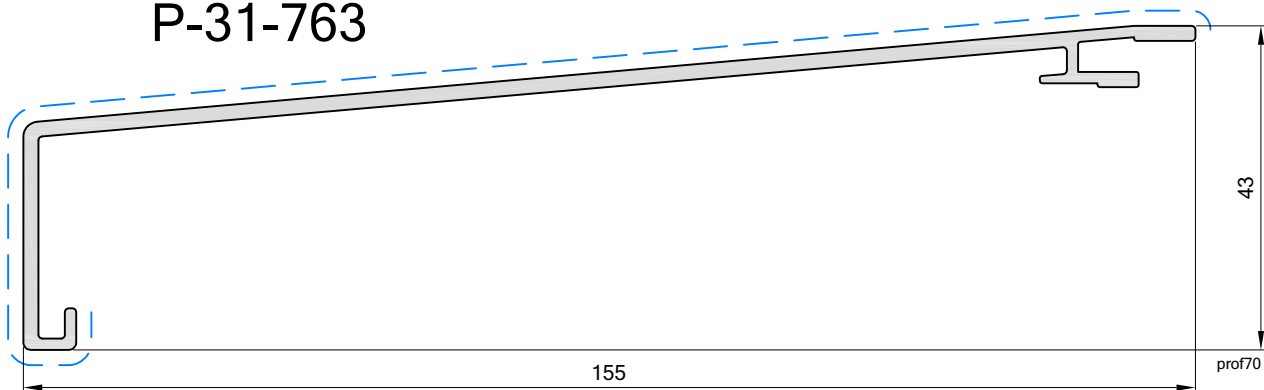
P-31-761



P-31-762

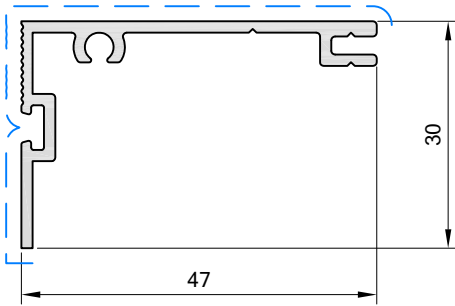


P-31-763

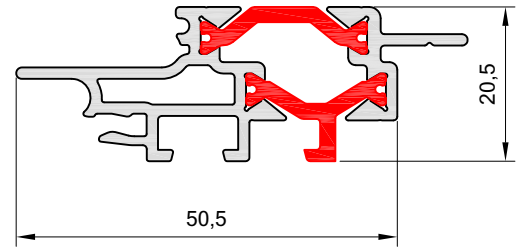




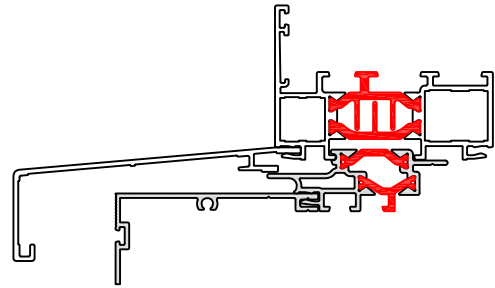
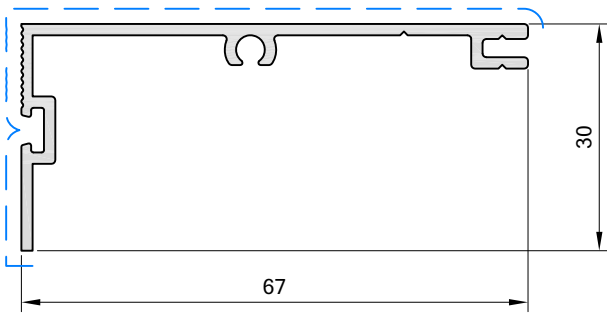
P-31-770



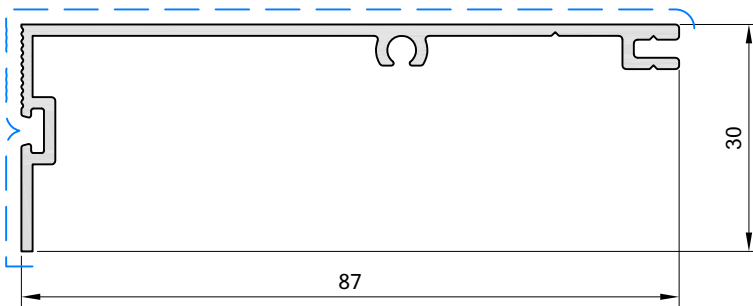
P-31-775



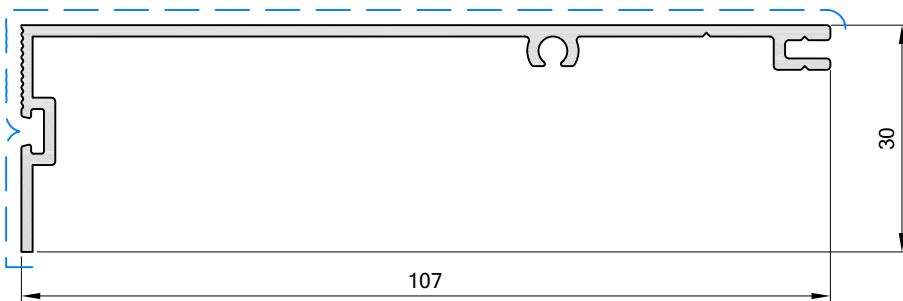
P-31-771



P-31-772



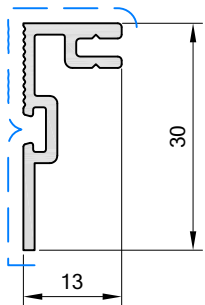
P-31-773



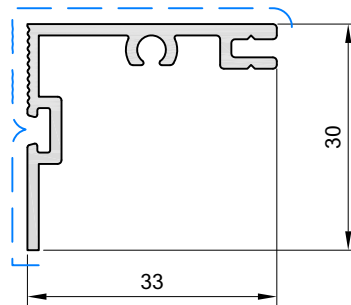
prof71



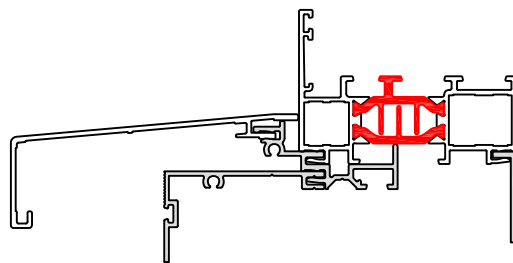
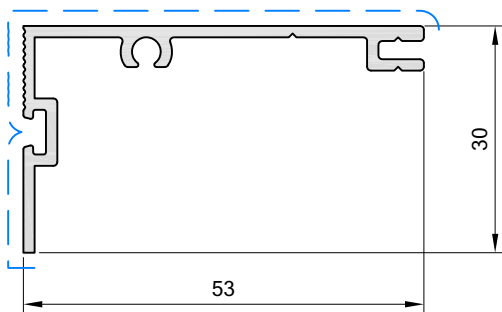
P-31-780



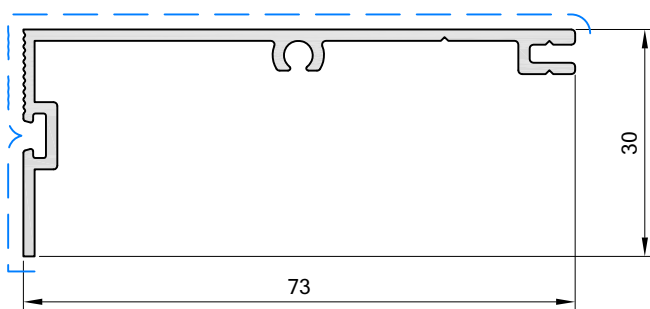
P-31-781



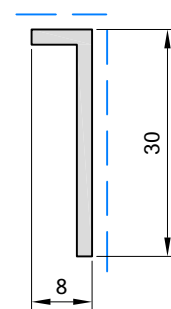
P-31-782



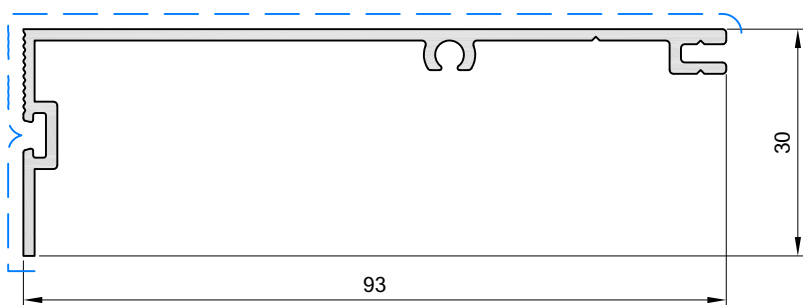
P-31-783



P-31-801



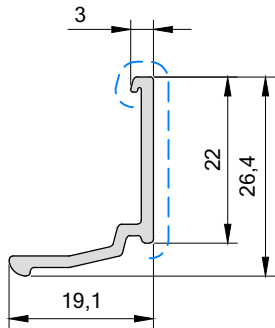
P-31-784



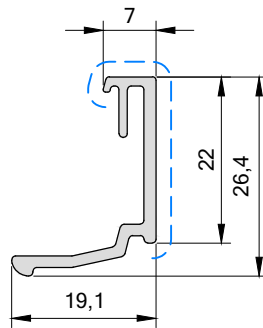
prof72



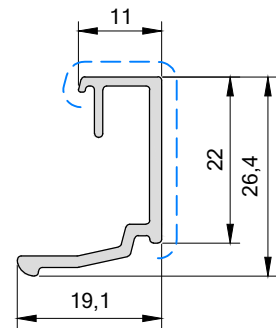
P-6s-003



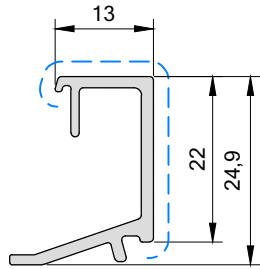
P-6s-007



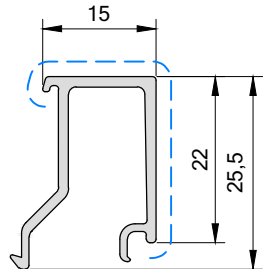
P-6s-011



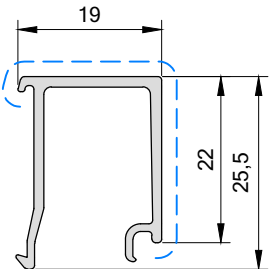
P-6s-013



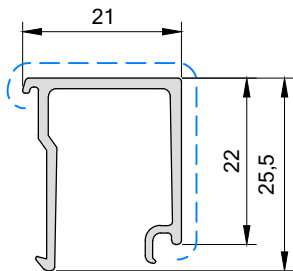
P-6s-015



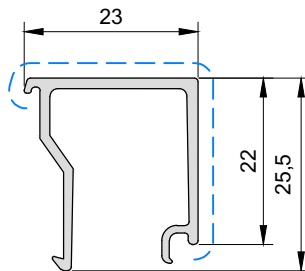
P-6s-019



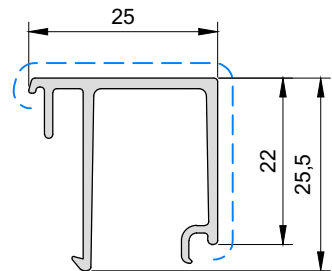
P-6s-021



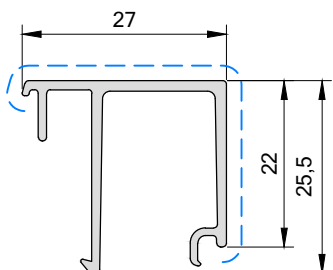
P-6s-023



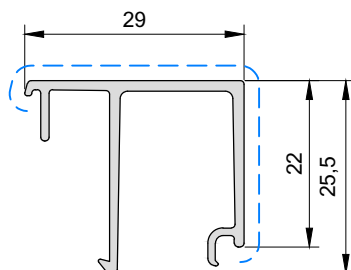
P-6s-025



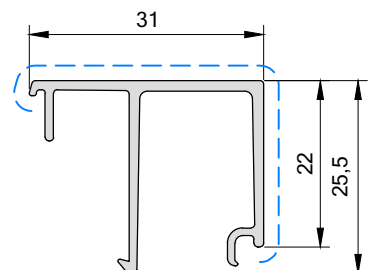
P-6s-027



P-6s-029

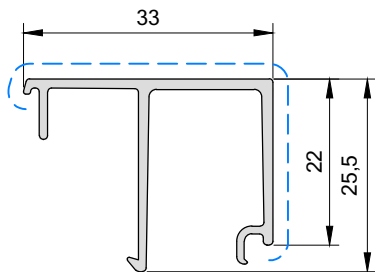


P-6s-031

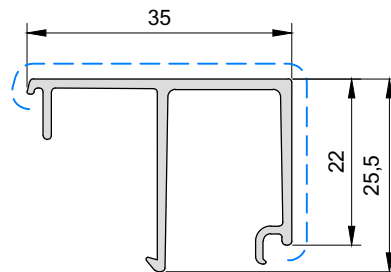




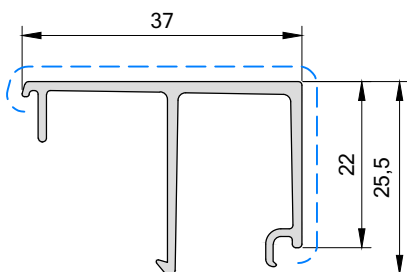
P-6s-033



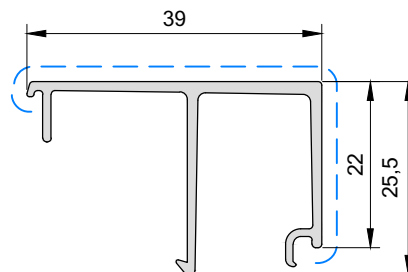
P-6s-035



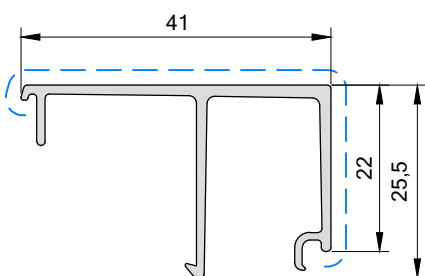
P-6s-037



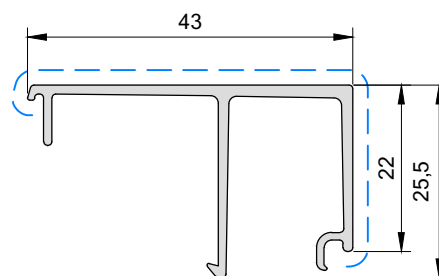
P-6s-039



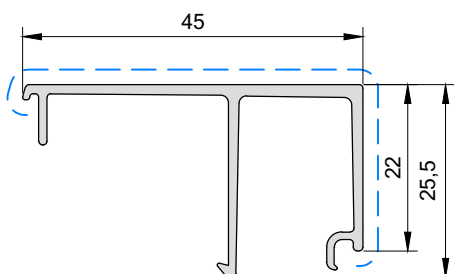
P-6s-041



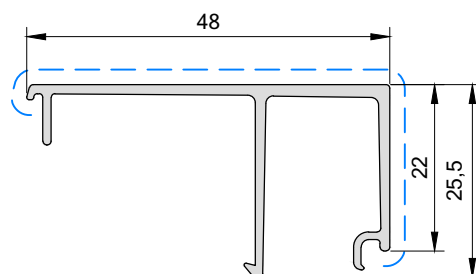
P-6s-043

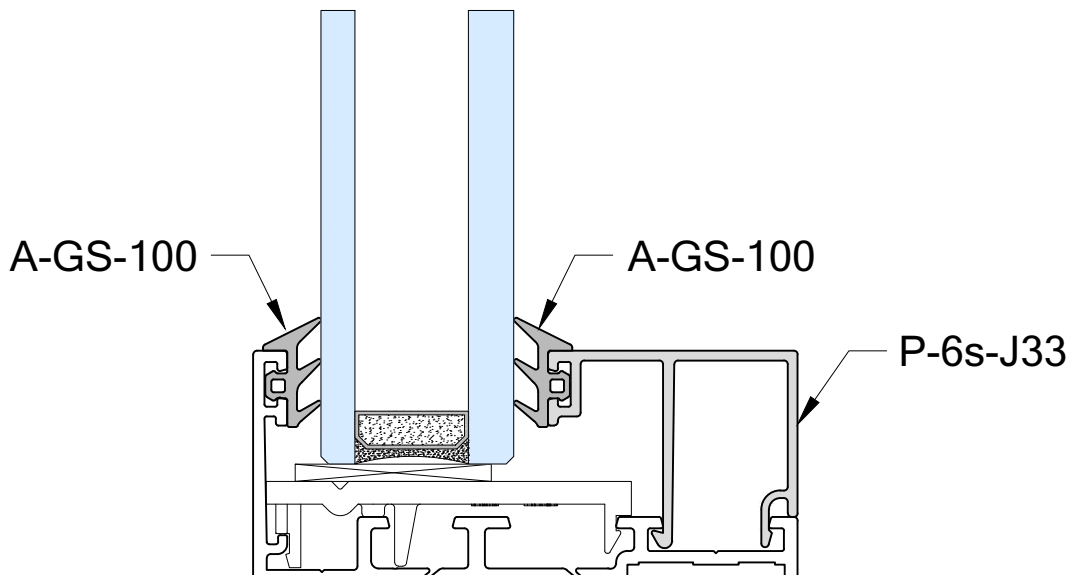
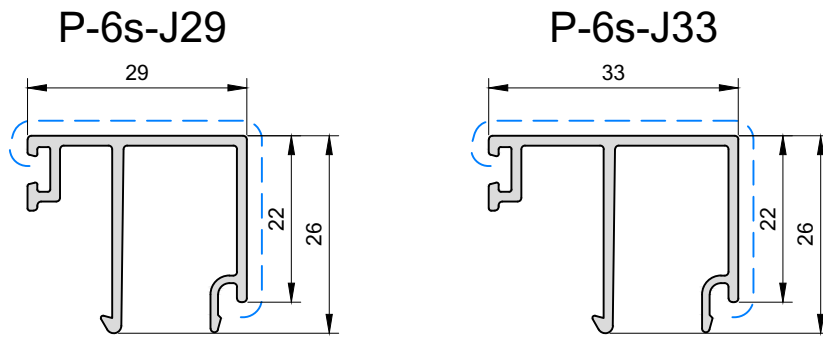


P-6s-045



P-6s-048

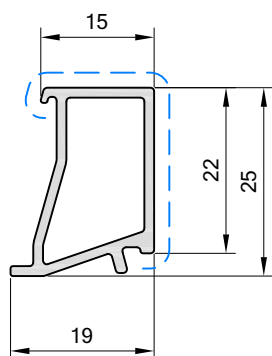




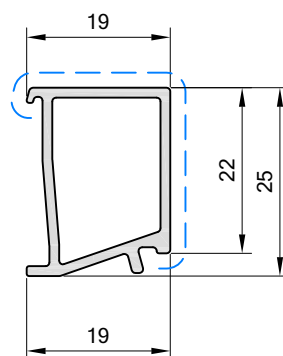
prof1b



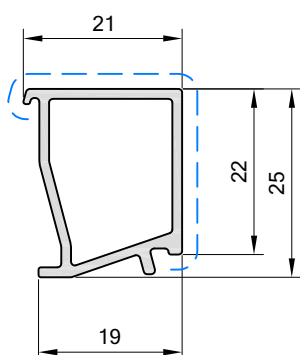
P-6b-015



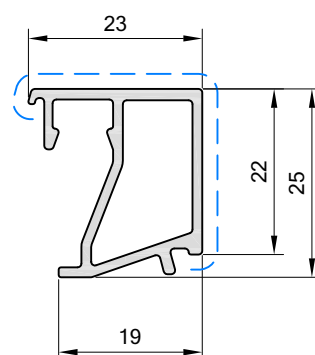
P-6b-019



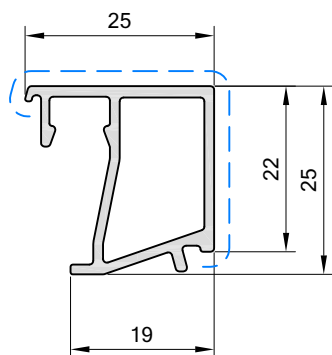
P-6b-021



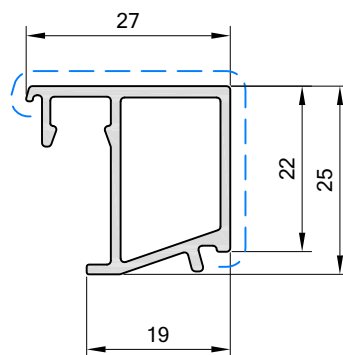
P-6b-023



P-6b-025



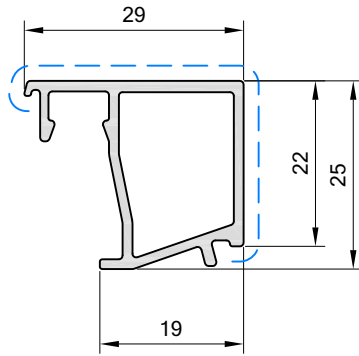
P-6b-027



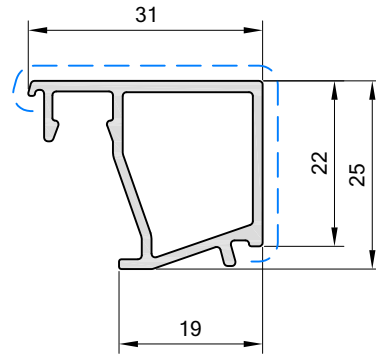
prof2



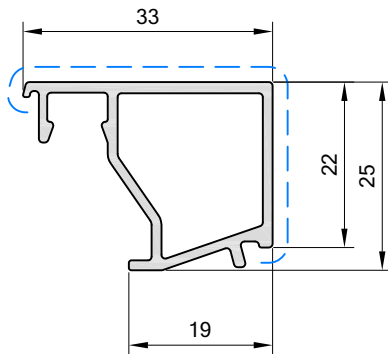
P-6b-029



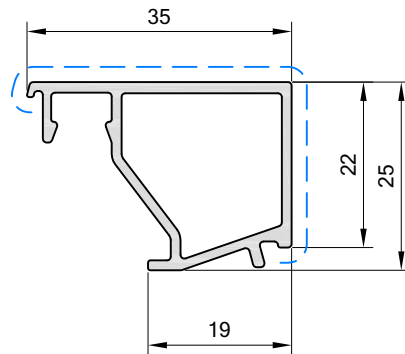
P-6b-031



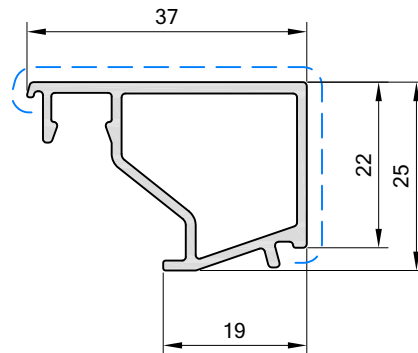
P-6b-033



P-6b-035

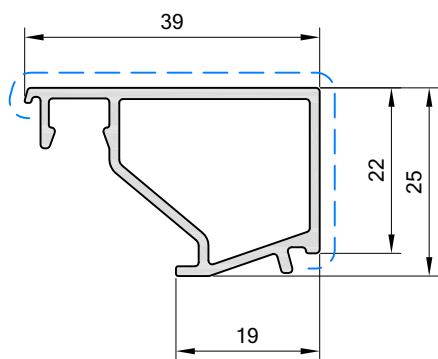


P-6b-037

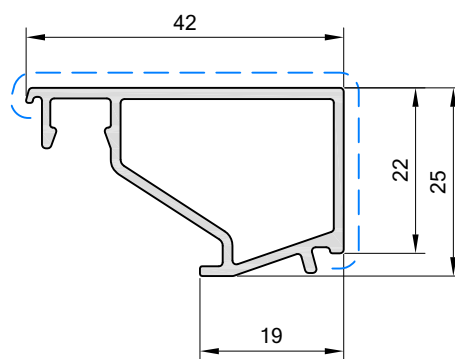




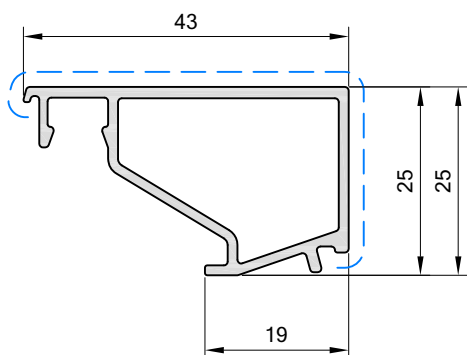
P-6b-039



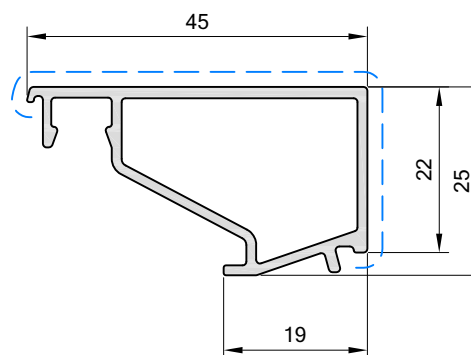
P-6b-042



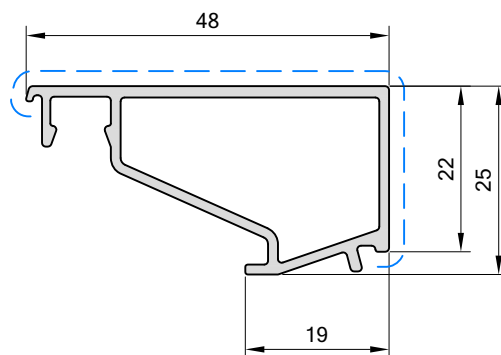
P-6b-043



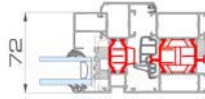
P-6b-045









P-6b-048









prof2



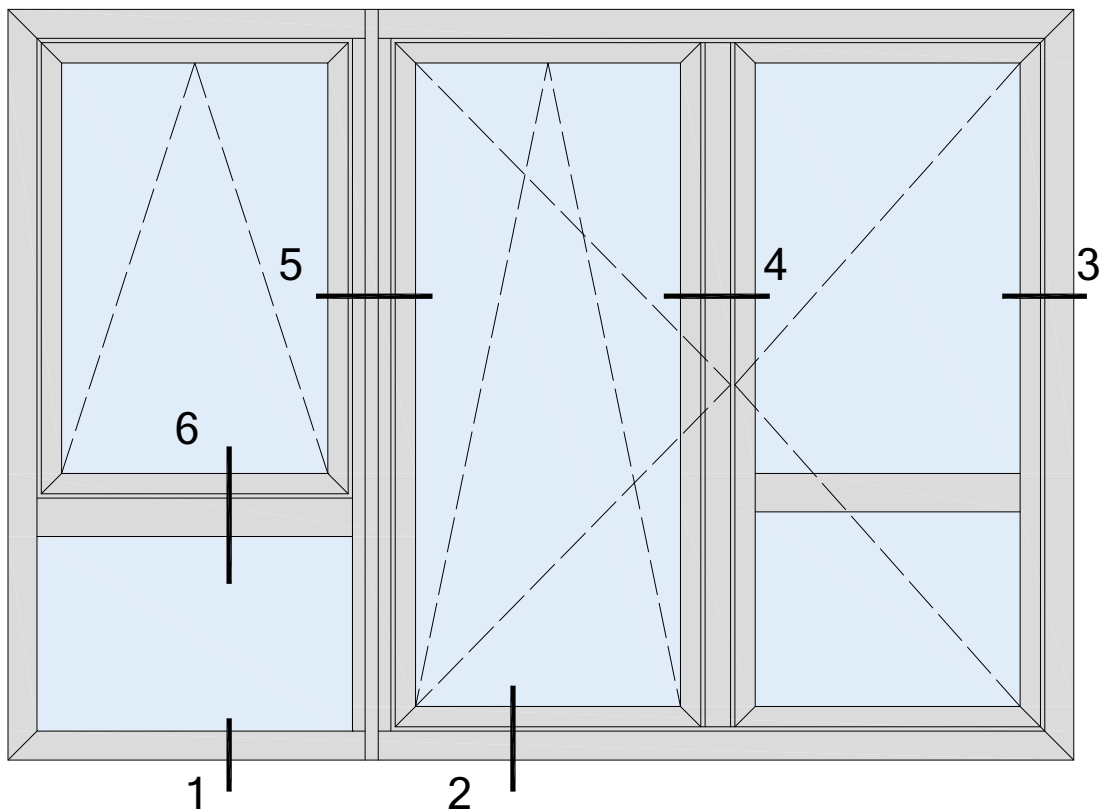
	 of / ou / or 		 of / ou / or 
10	P-6s-048 P-6b-048	A-GS-306	A-GS-100 A-GS-110
11	P-6s-048 P-6b-048	A-GS-305	A-GS-100 A-GS-110
12	P-6s-048 P-6b-048	A-GS-304	A-GS-100 A-GS-110
13	P-6s-045 P-6b-045	A-GS-306	A-GS-100 A-GS-110
14	P-6s-045 P-6b-045	A-GS-305	A-GS-100 A-GS-110
15	P-6s-045 P-6b-045	A-GS-304	A-GS-100 A-GS-110
16	P-6s-043 P-6b-043	A-GS-305	A-GS-100 A-GS-110
17	P-6s-043 P-6b-043	A-GS-304	A-GS-100 A-GS-110
18		A-GS-304	A-GS-100 A-GS-110
	P-6s-041	A-GS-305	A-GS-100 A-GS-110
19		A-GS-306	A-GS-100 A-GS-110
	P-6s-041	A-GS-304	A-GS-100 A-GS-110
20	P-6s-039 P-6b-039	A-GS-305	A-GS-100 A-GS-110
21	P-6s-039 P-6b-039	A-GS-304	A-GS-100 A-GS-110
22	P-6s-037 P-6b-037	A-GS-305	A-GS-100 A-GS-110
23	P-6s-037 P-6b-037	A-GS-304	A-GS-100 A-GS-110
24	P-6s-035 P-6b-035	A-GS-305	A-GS-100 A-GS-110
25	P-6s-035 P-6b-035	A-GS-304	A-GS-100 A-GS-110
26	P-6s-033 P-6b-033	A-GS-305	A-GS-100 A-GS-110
27	P-6s-033 P-6b-033	A-GS-304	A-GS-100 A-GS-110
28	P-6s-031 P-6b-031	A-GS-305	A-GS-100 A-GS-110
29	P-6s-031 P-6b-031	A-GS-304	A-GS-100 A-GS-110
30	P-6s-029 P-6b-029	A-GS-305	A-GS-100 A-GS-110
31	P-6s-029 P-6b-029	A-GS-304	A-GS-100 A-GS-110
32	P-6s-027 P-6b-027	A-GS-305	A-GS-100 A-GS-110
33	P-6s-027 P-6b-027	A-GS-304	A-GS-100 A-GS-110
34	P-6s-025 P-6b-025	A-GS-305	A-GS-100 A-GS-110
35	P-6s-025 P-6b-025	A-GS-304	A-GS-100 A-GS-110
36	P-6s-023 P-6b-023	A-GS-305	A-GS-100 A-GS-110
37	P-6s-023 P-6b-023	A-GS-304	A-GS-100 A-GS-110
38	P-6s-021 P-6b-021	A-GS-305	A-GS-100 A-GS-110
39	P-6s-021 P-6b-021	A-GS-304	A-GS-100 A-GS-110
40	P-6s-019 P-6b-019	A-GS-305	A-GS-100 A-GS-110
41	P-6s-019 P-6b-019	A-GS-304	A-GS-100 A-GS-110
42	P-6s-015 P-6b-015	A-GS-308	A-GS-100 A-GS-110
43	P-6s-015 P-6b-015	A-GS-306	A-GS-100 A-GS-110
44	P-6s-015 P-6b-015	A-GS-305	A-GS-100 A-GS-110
45	P-6s-015 P-6b-015	A-GS-304	A-GS-100 A-GS-110
46	P-6s-013	A-GS-305	A-GS-100 A-GS-110
47	P-6s-013	A-GS-304	A-GS-100 A-GS-110
48	P-6s-011	A-GS-305	A-GS-100 A-GS-110
49	P-6s-011	A-GS-304	A-GS-100 A-GS-110
50	P-6s-007	A-GS-308	A-GS-100 A-GS-110
51	P-6s-007	A-GS-306	A-GS-100 A-GS-110
52	P-6s-007	A-GS-305	A-GS-100 A-GS-110
53	P-6s-007	A-GS-304	A-GS-100 A-GS-110
54	P-6s-003	A-GS-308	A-GS-100 A-GS-110
55	P-6s-003	A-GS-306	A-GS-100 A-GS-110
56	P-6s-003	A-GS-305	A-GS-100 A-GS-110
57	P-6s-003	A-GS-304	A-GS-100 A-GS-110



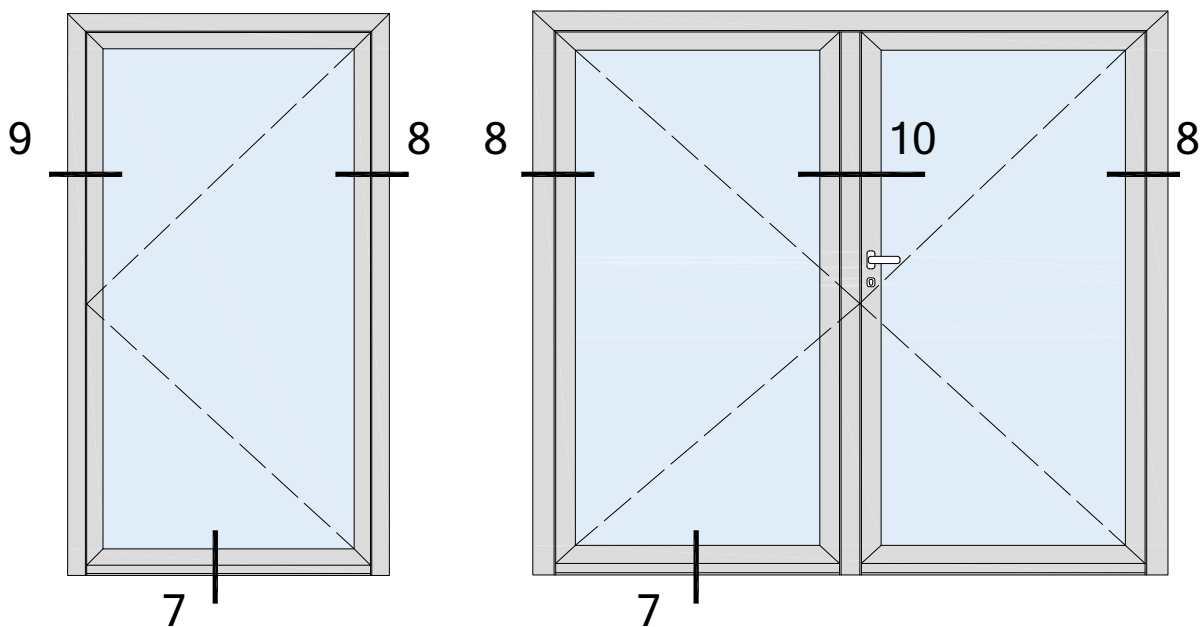
Variant! Planea

	 of / ou / or 		 of / ou / or 	
18	P-6s-048 P-6b-048	A-GS-308	A-GS-100 A-GS-110	
19	P-6s-048 P-6b-048	A-GS-306	A-GS-100 A-GS-110	
20	P-6s-048 P-6b-048	A-GS-305	A-GS-100 A-GS-110	
21	P-6s-048 P-6b-048	A-GS-304	A-GS-100 A-GS-110	
22	P-6s-045 P-6b-045	A-GS-306	A-GS-100 A-GS-110	
23	P-6s-045 P-6b-045	A-GS-305	A-GS-100 A-GS-110	
24	P-6s-045 P-6b-045	A-GS-304	A-GS-100 A-GS-110	
25	P-6s-043 P-6b-043	A-GS-305	A-GS-100 A-GS-110	
26		P-6b-042	A-GS-305	A-GS-100 A-GS-110
	P-6s-043		A-GS-304	A-GS-100 A-GS-110
27		P-6b-042	A-GS-304	A-GS-100 A-GS-110
	P-6s-041		A-GS-305	A-GS-100 A-GS-110
28		P-6b-039	A-GS-306	A-GS-100 A-GS-110
	P-6s-041		A-GS-304	A-GS-100 A-GS-110
29	P-6s-039 P-6b-039	A-GS-305	A-GS-100 A-GS-110	
30	P-6s-039 P-6b-039	A-GS-304	A-GS-100 A-GS-110	
31	P-6s-037 P-6b-037	A-GS-305	A-GS-100 A-GS-110	
32	P-6s-037 P-6b-037	A-GS-304	A-GS-100 A-GS-110	
33	P-6s-035 P-6b-035	A-GS-305	A-GS-100 A-GS-110	
34	P-6s-035 P-6b-035	A-GS-304	A-GS-100 A-GS-110	
35	P-6s-033 P-6b-033	A-GS-305	A-GS-100 A-GS-110	
36	P-6s-033 P-6b-033	A-GS-304	A-GS-100 A-GS-110	
37	P-6s-031 P-6b-031	A-GS-305	A-GS-100 A-GS-110	
38	P-6s-031 P-6b-031	A-GS-304	A-GS-100 A-GS-110	
39	P-6s-029 P-6b-029	A-GS-305	A-GS-100 A-GS-110	
40	P-6s-029 P-6b-029	A-GS-304	A-GS-100 A-GS-110	
41	P-6s-027 P-6b-027	A-GS-305	A-GS-100 A-GS-110	
42	P-6s-027 P-6b-027	A-GS-304	A-GS-100 A-GS-110	
43	P-6s-025 P-6b-025	A-GS-305	A-GS-100 A-GS-110	
44	P-6s-025 P-6b-025	A-GS-304	A-GS-100 A-GS-110	
45	P-6s-023 P-6b-023	A-GS-305	A-GS-100 A-GS-110	
46	P-6s-023 P-6b-023	A-GS-304	A-GS-100 A-GS-110	
47	P-6s-021 P-6b-021	A-GS-305	A-GS-100 A-GS-110	
48	P-6s-021 P-6b-021	A-GS-304	A-GS-100 A-GS-110	
49	P-6s-019 P-6b-019	A-GS-305	A-GS-100 A-GS-110	
50	P-6s-019 P-6b-019	A-GS-304	A-GS-100 A-GS-110	
51	P-6s-015 P-6b-015	A-GS-308	A-GS-100 A-GS-110	
52	P-6s-015 P-6b-015	A-GS-306	A-GS-100 A-GS-110	
53	P-6s-015 P-6b-015	A-GS-305	A-GS-100 A-GS-110	
54	P-6s-015 P-6b-015	A-GS-304	A-GS-100 A-GS-110	
55	P-6s-013	A-GS-305	A-GS-100 A-GS-110	
56	P-6s-013	A-GS-304	A-GS-100 A-GS-110	
57	P-6s-011	A-GS-305	A-GS-100 A-GS-110	
58	P-6s-011	A-GS-304	A-GS-100 A-GS-110	
59	P-6s-007	A-GS-308	A-GS-100 A-GS-110	
60	P-6s-007	A-GS-306	A-GS-100 A-GS-110	
61	P-6s-007	A-GS-305	A-GS-100 A-GS-110	
62	P-6s-007	A-GS-304	A-GS-100 A-GS-110	
63	P-6s-003	A-GS-308	A-GS-100 A-GS-110	
64	P-6s-003	A-GS-306	A-GS-100 A-GS-110	
65	P-6s-003	A-GS-305	A-GS-100 A-GS-110	
66	P-6s-003	A-GS-304	A-GS-100 A-GS-110	

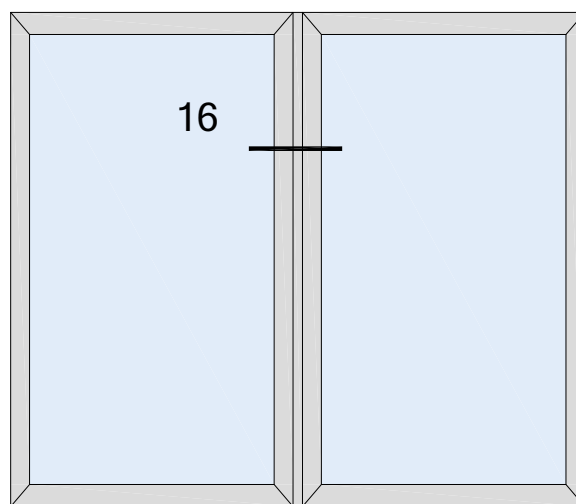
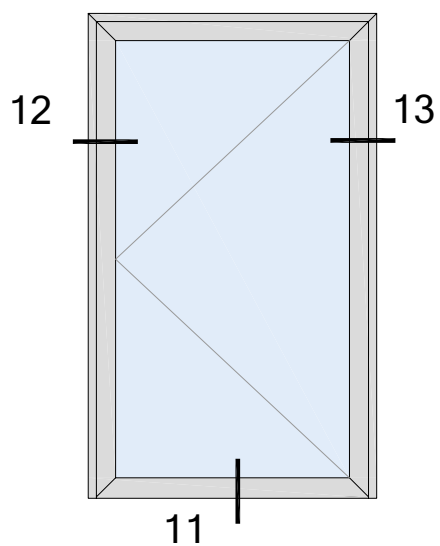
DOORSNEDEN - COUPES - TYPICAL DETAIL



- | | |
|---------|----------|
| 1: 6.5 | 6: 6.23 |
| 2: 6.12 | 7: 6.28 |
| 3: 6.16 | 8: 6.37 |
| 4: 6.18 | 9: 6.42 |
| 5: 6.21 | 10: 6.46 |

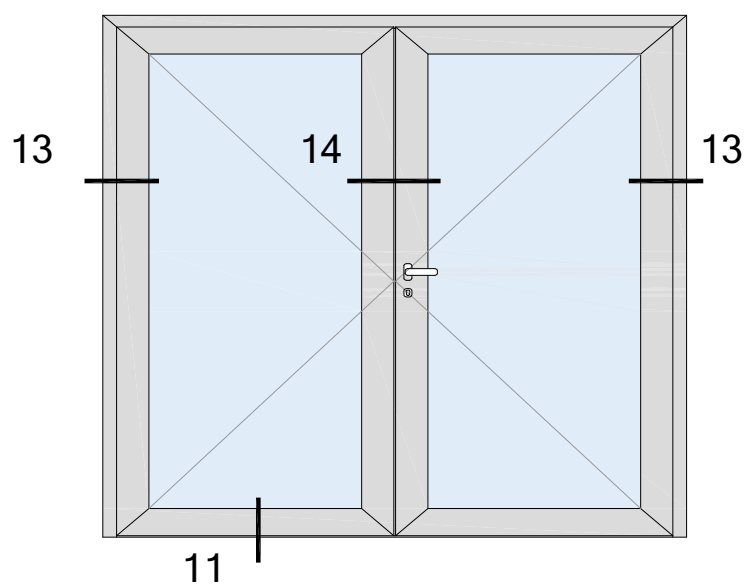
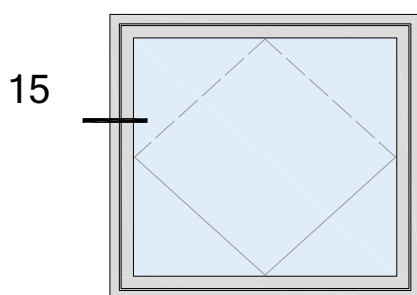


overzicht

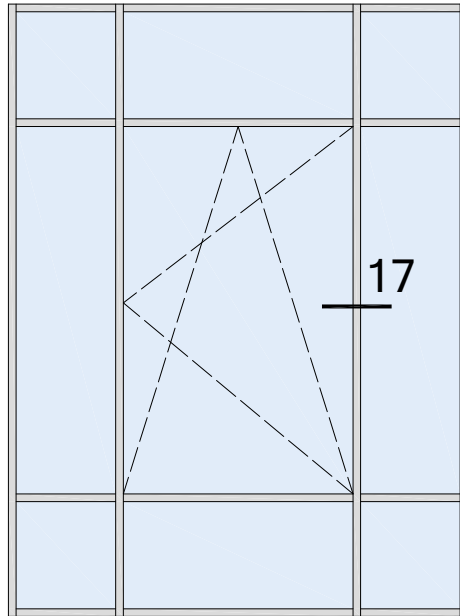


11: 6.50
12: 6.58
13: 6.61
14: 6.64

15: 6.67
16: 6.68



overzicht

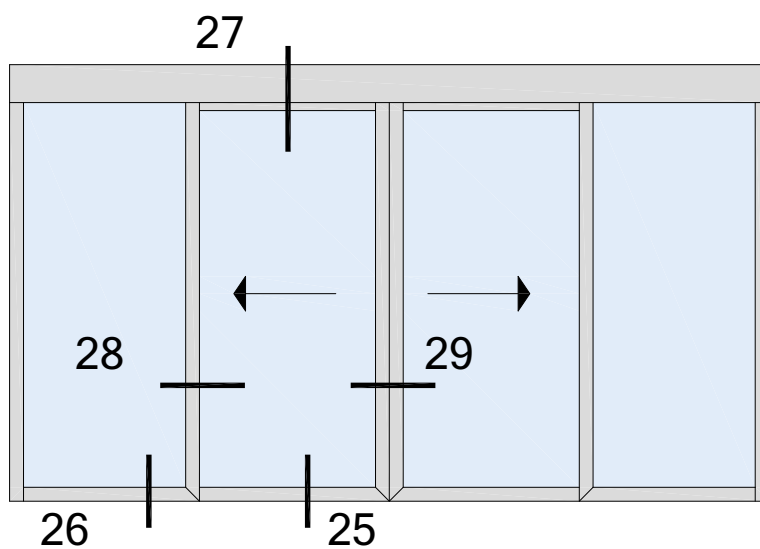


17: 6.69

overzicht

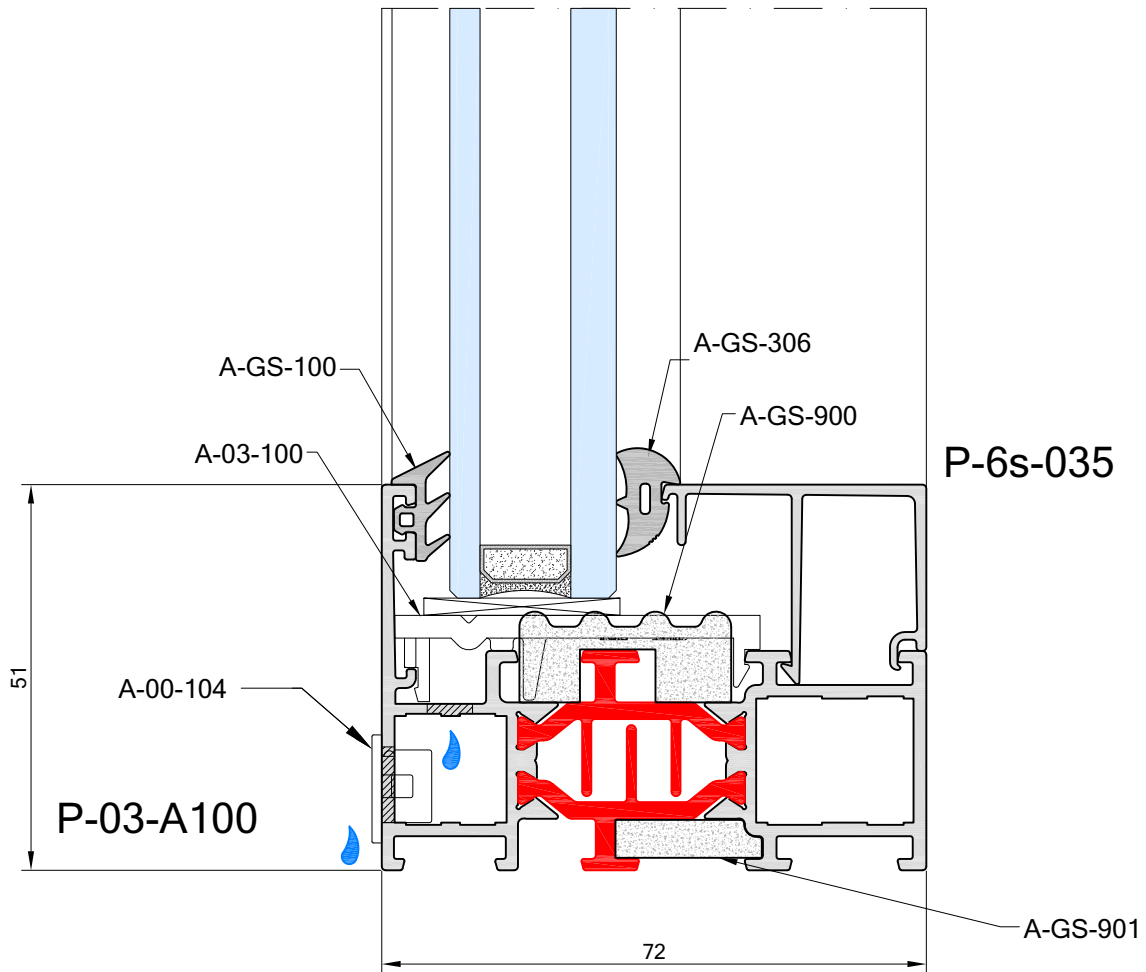
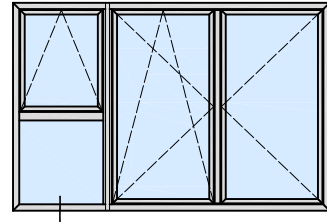


- 25: 6.70
- 26: 6.71
- 27: 6.72
- 28: 6.73
- 29: 6.74



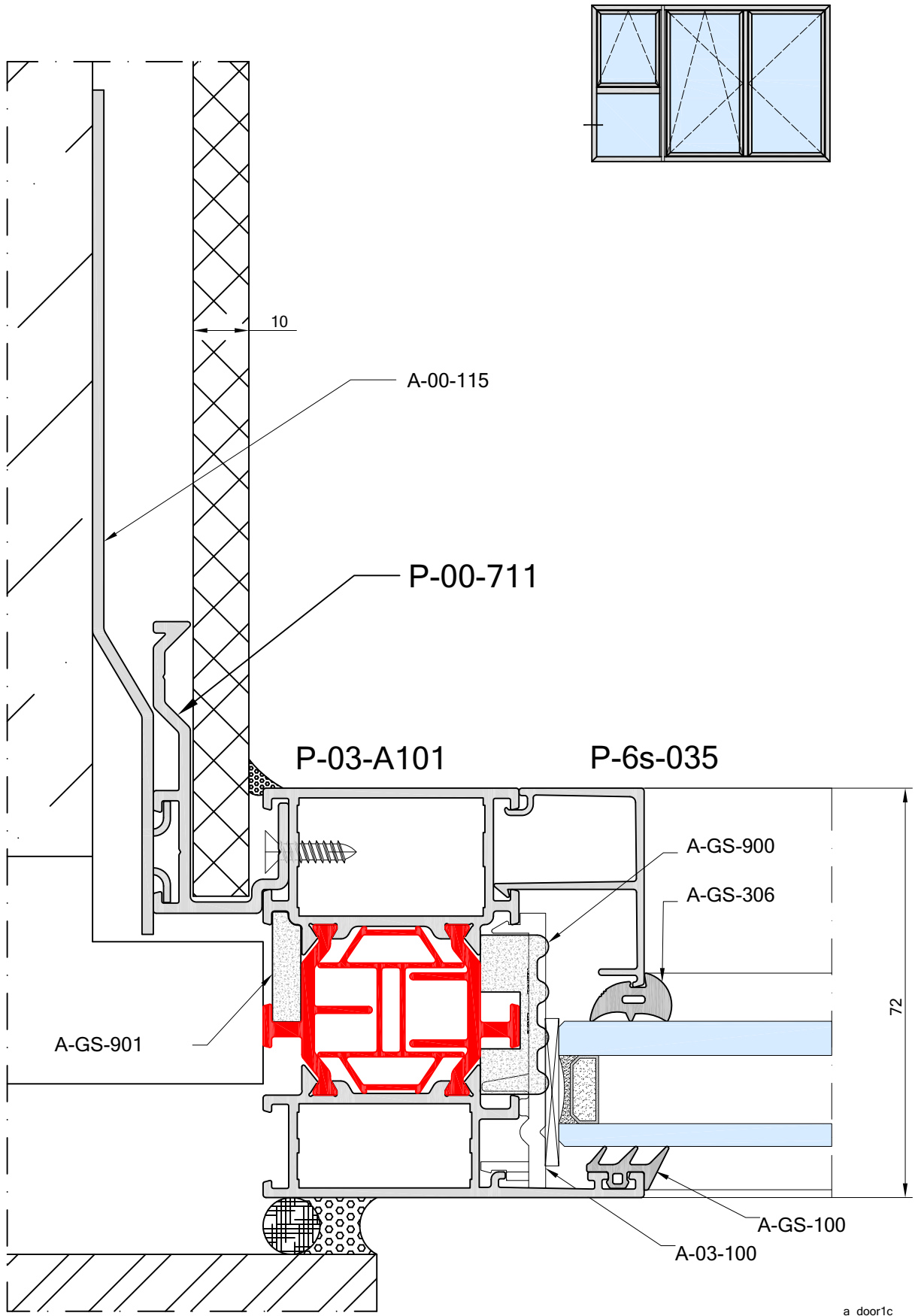
overzicht

➤ 1a



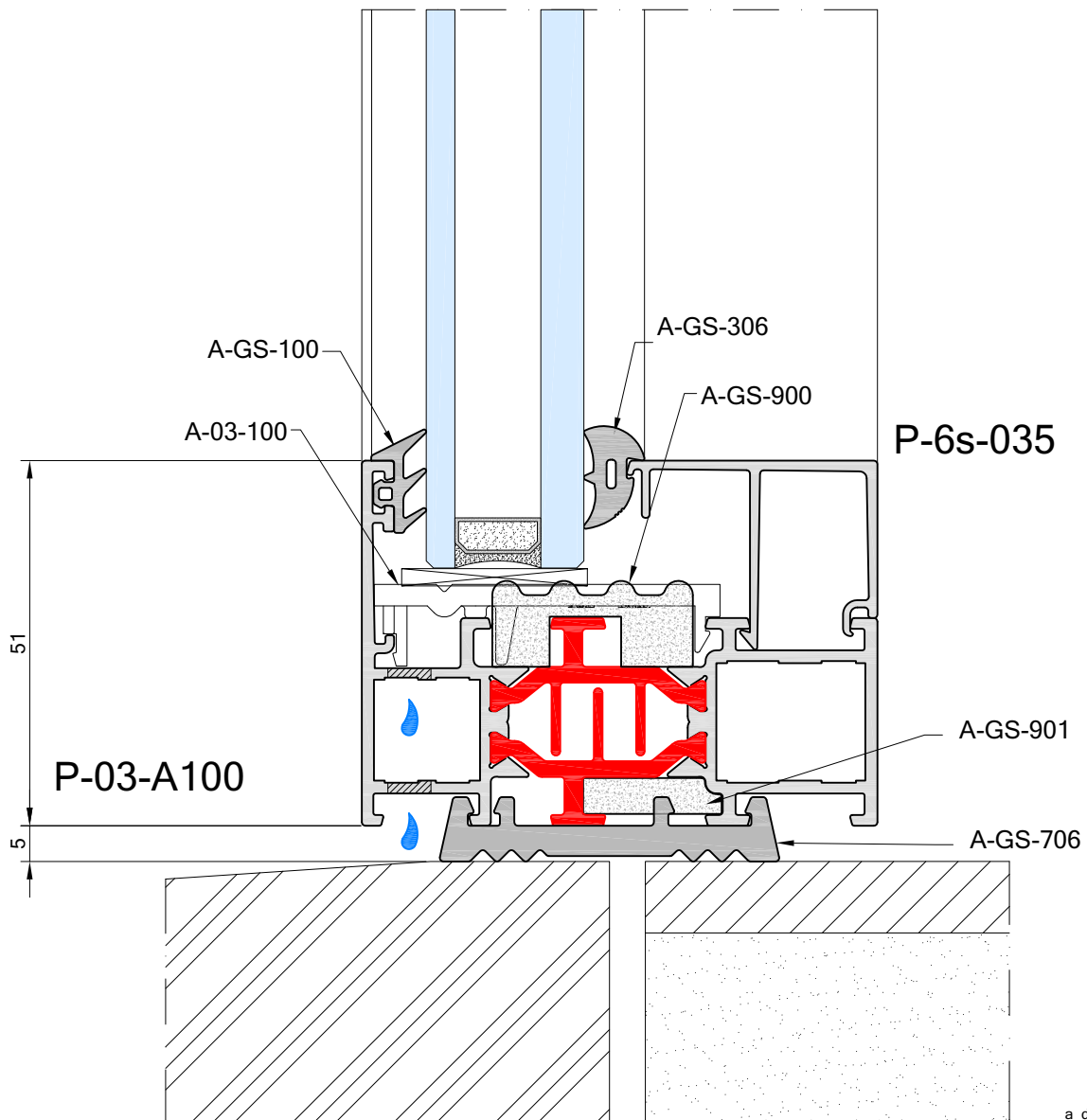
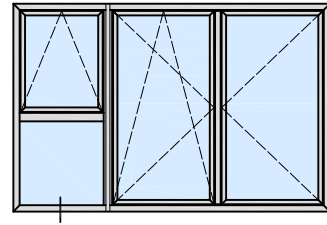
a door1a

> 1c



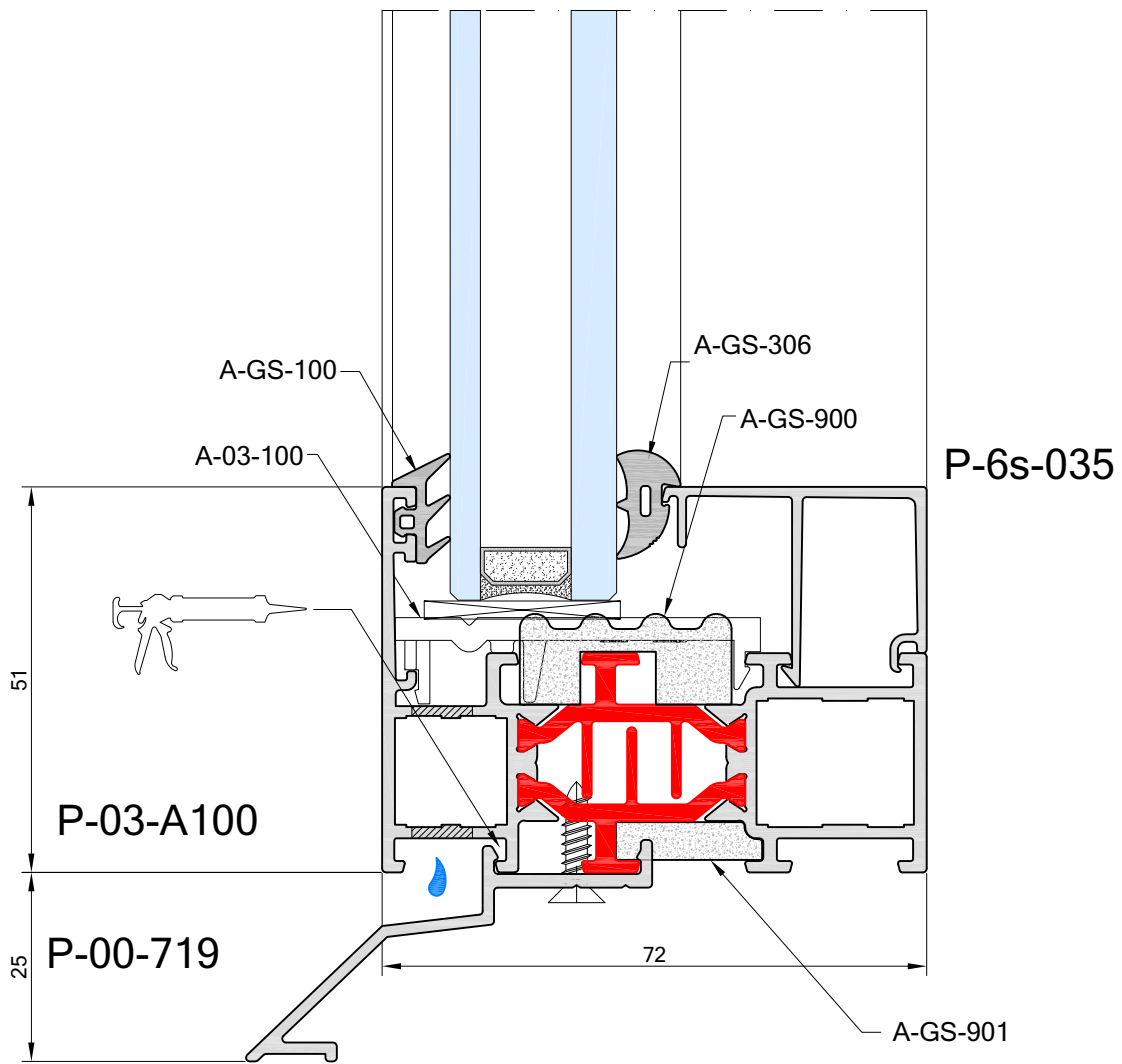
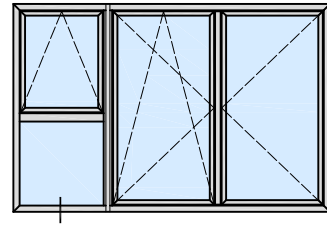
TYPICAL DETAIL

➤ 1d



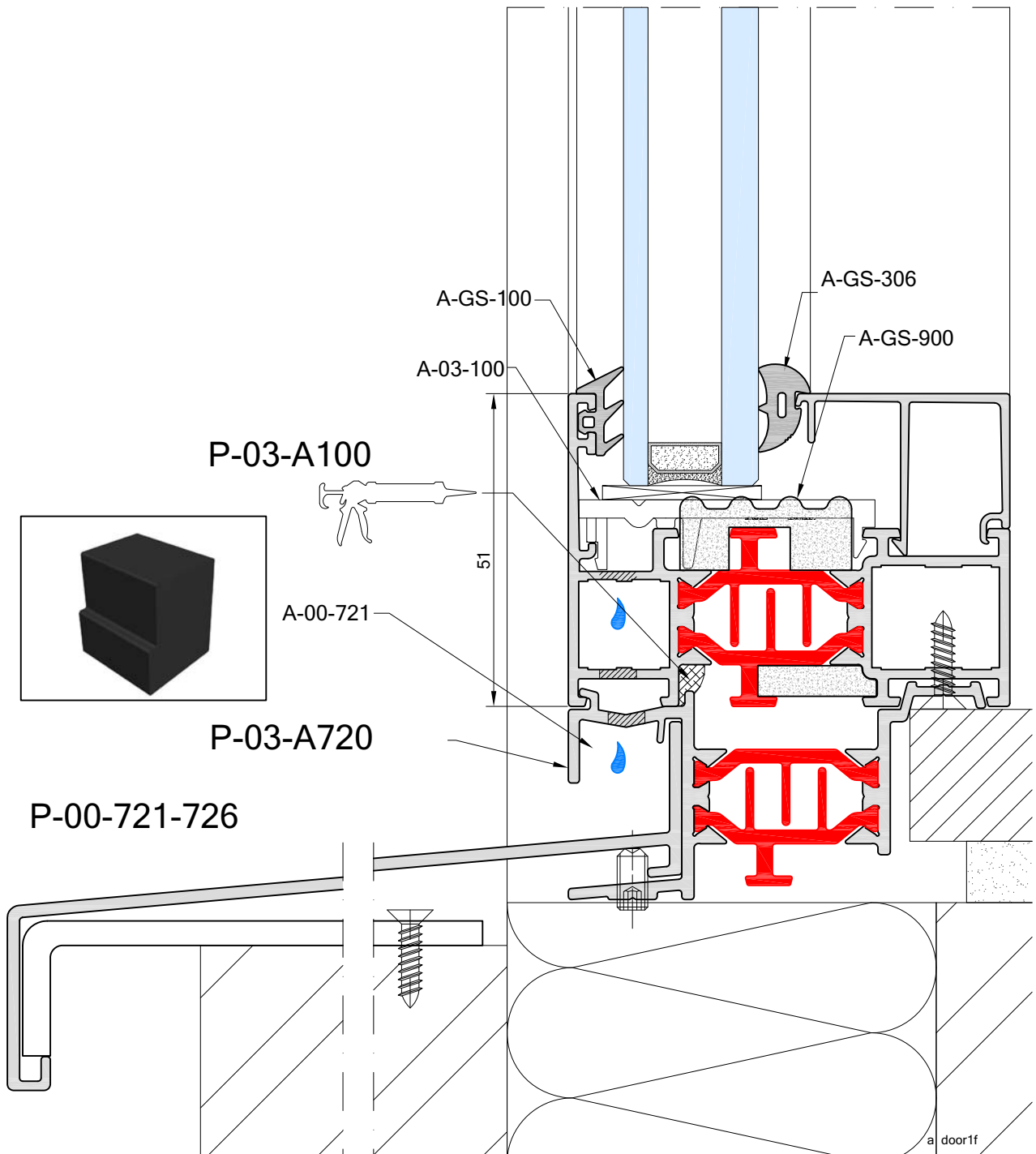
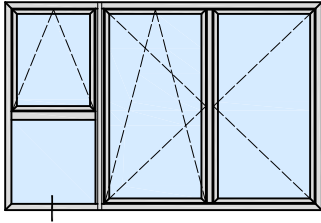
a door1d

> 1e

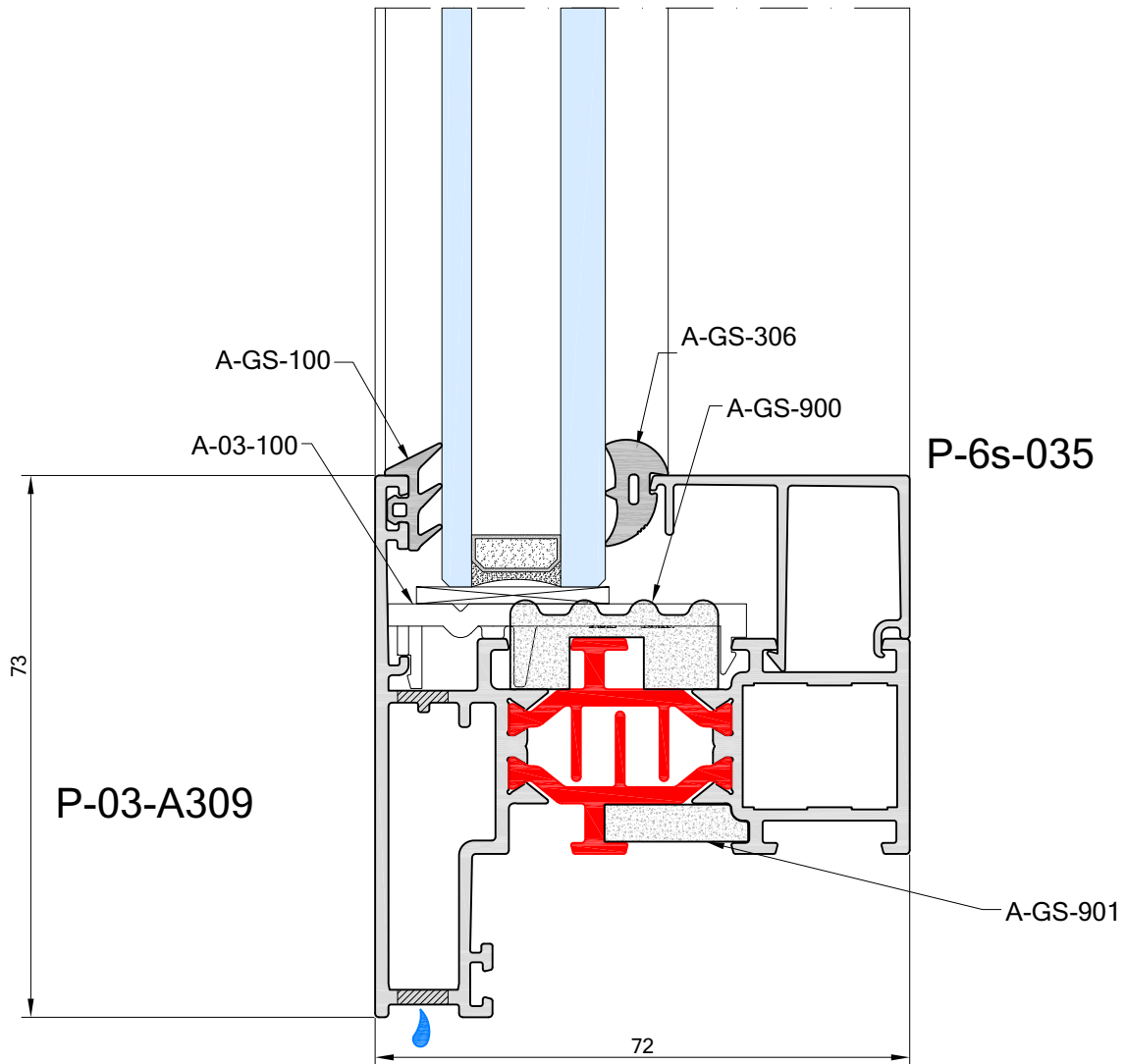
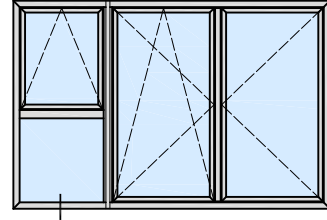


a door1e

TYPICAL DETAIL



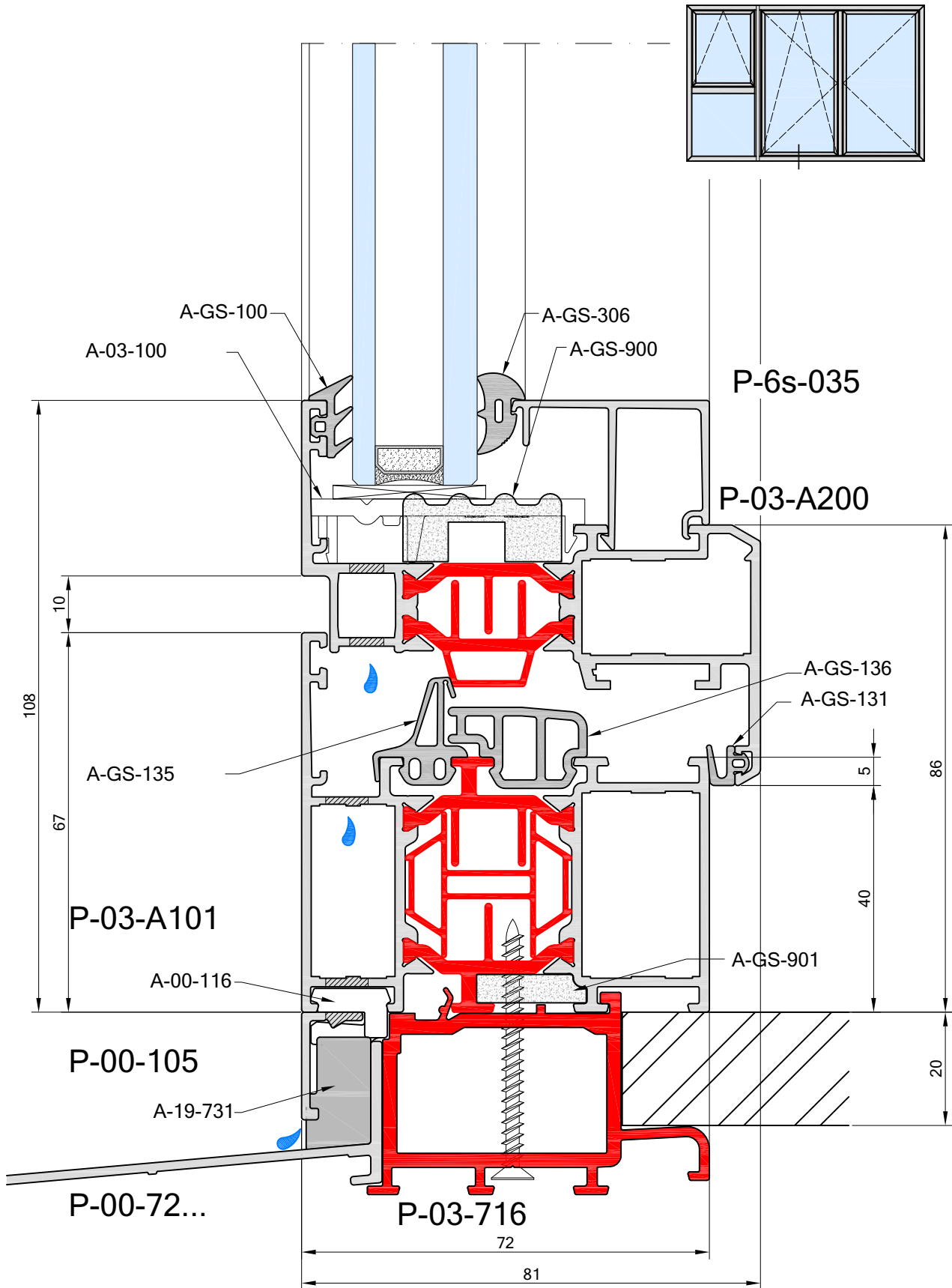
> 1g



a door1a

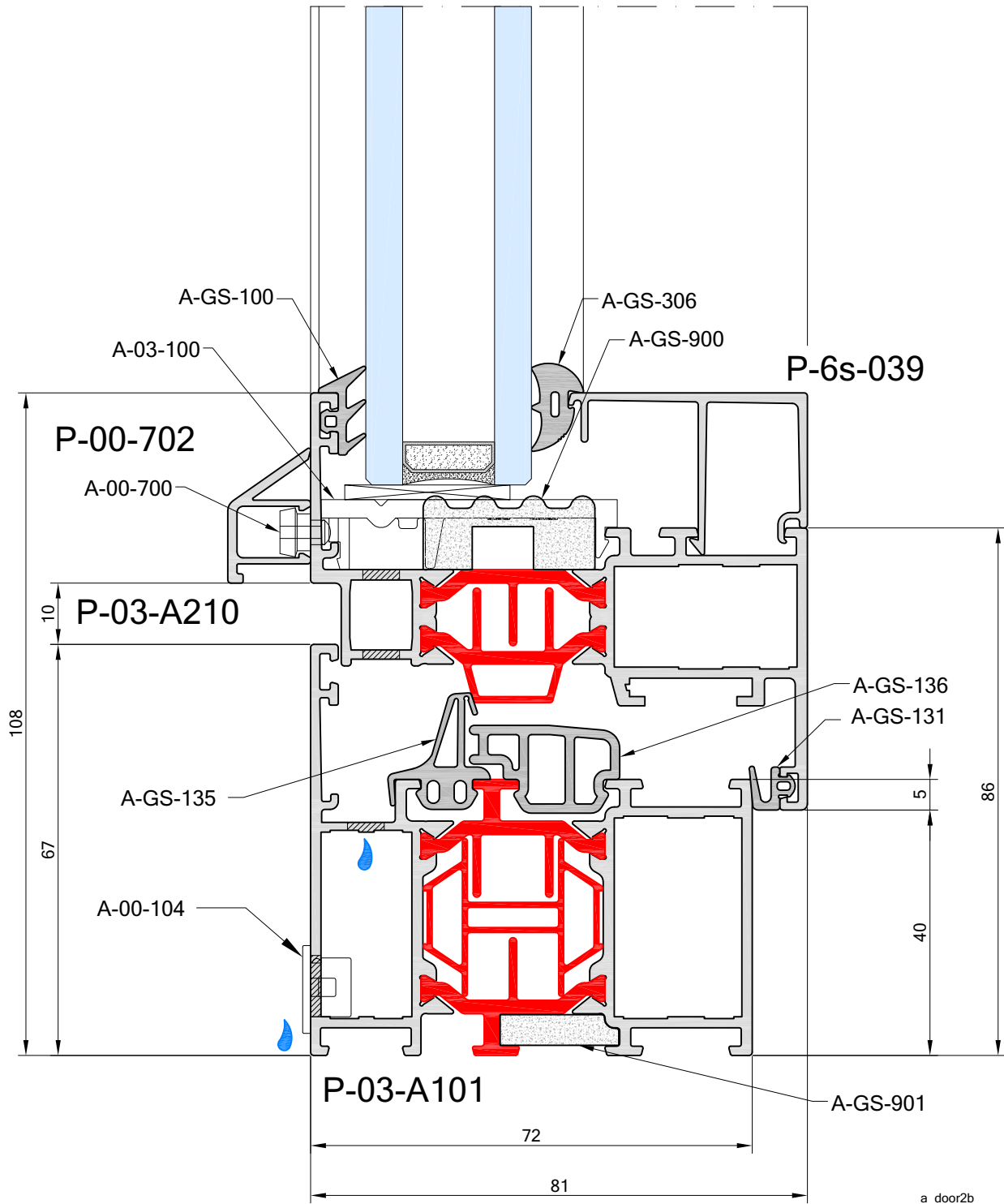
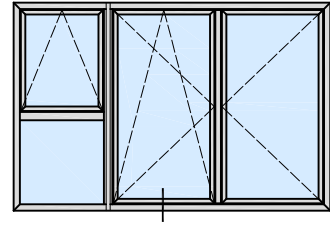
TYPICAL DETAIL

2a



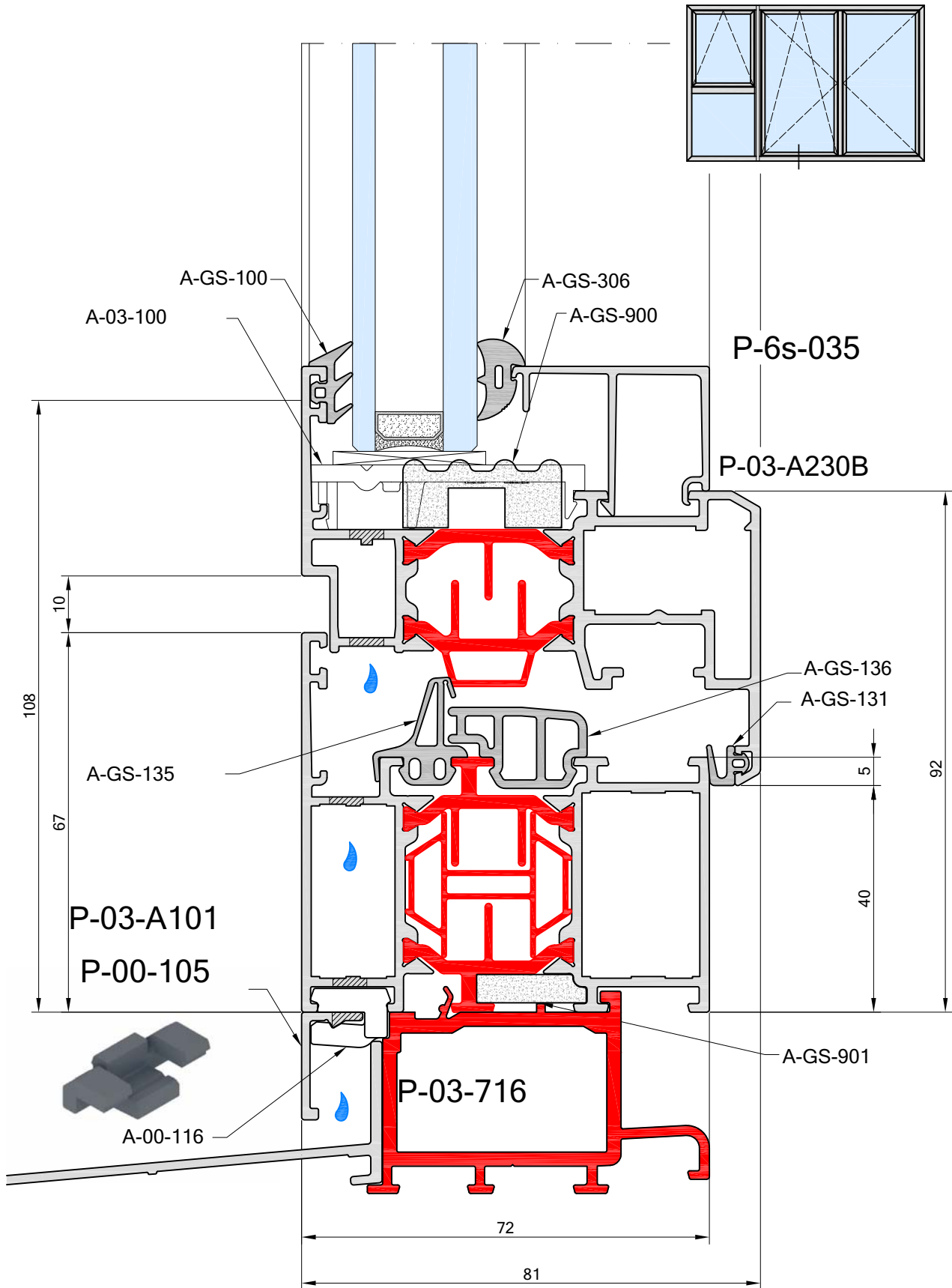
a_door2a

➤ 2b

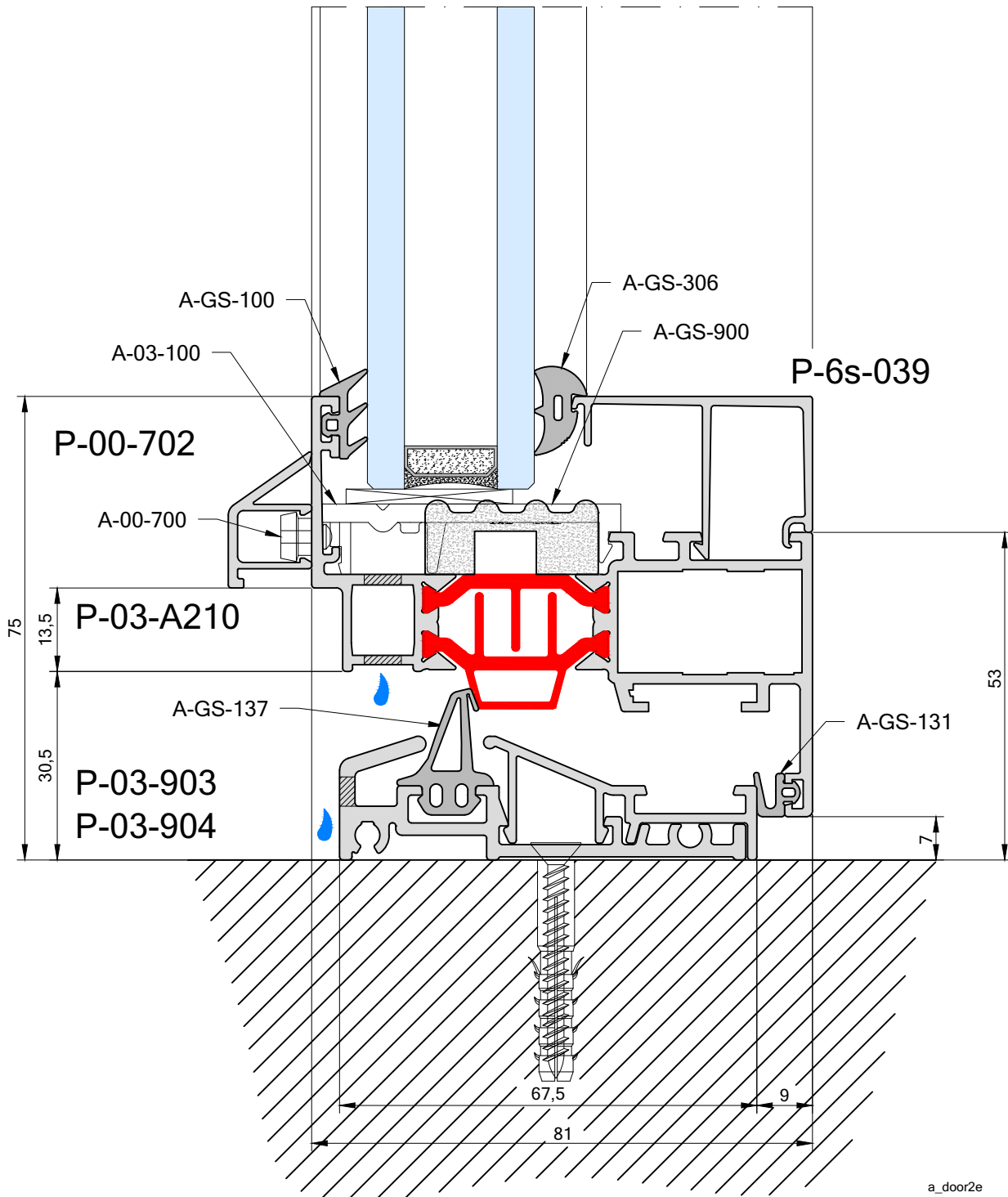
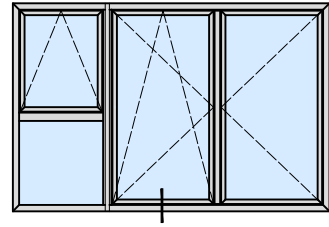


TYPICAL DETAIL

2d



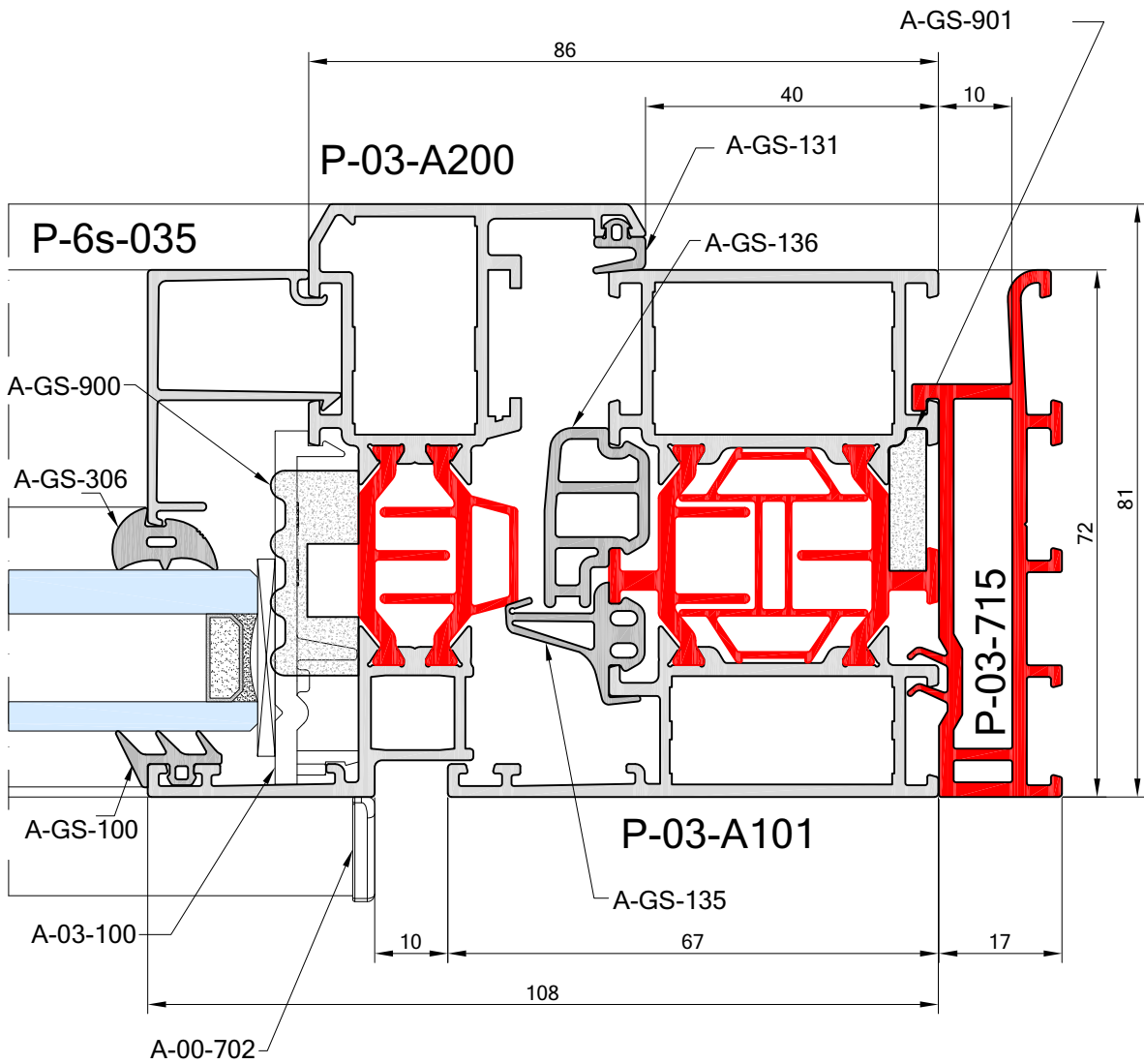
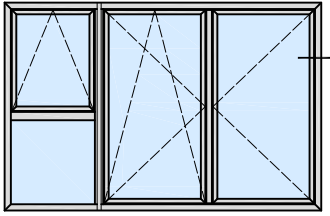
a_door2d



a_door2e

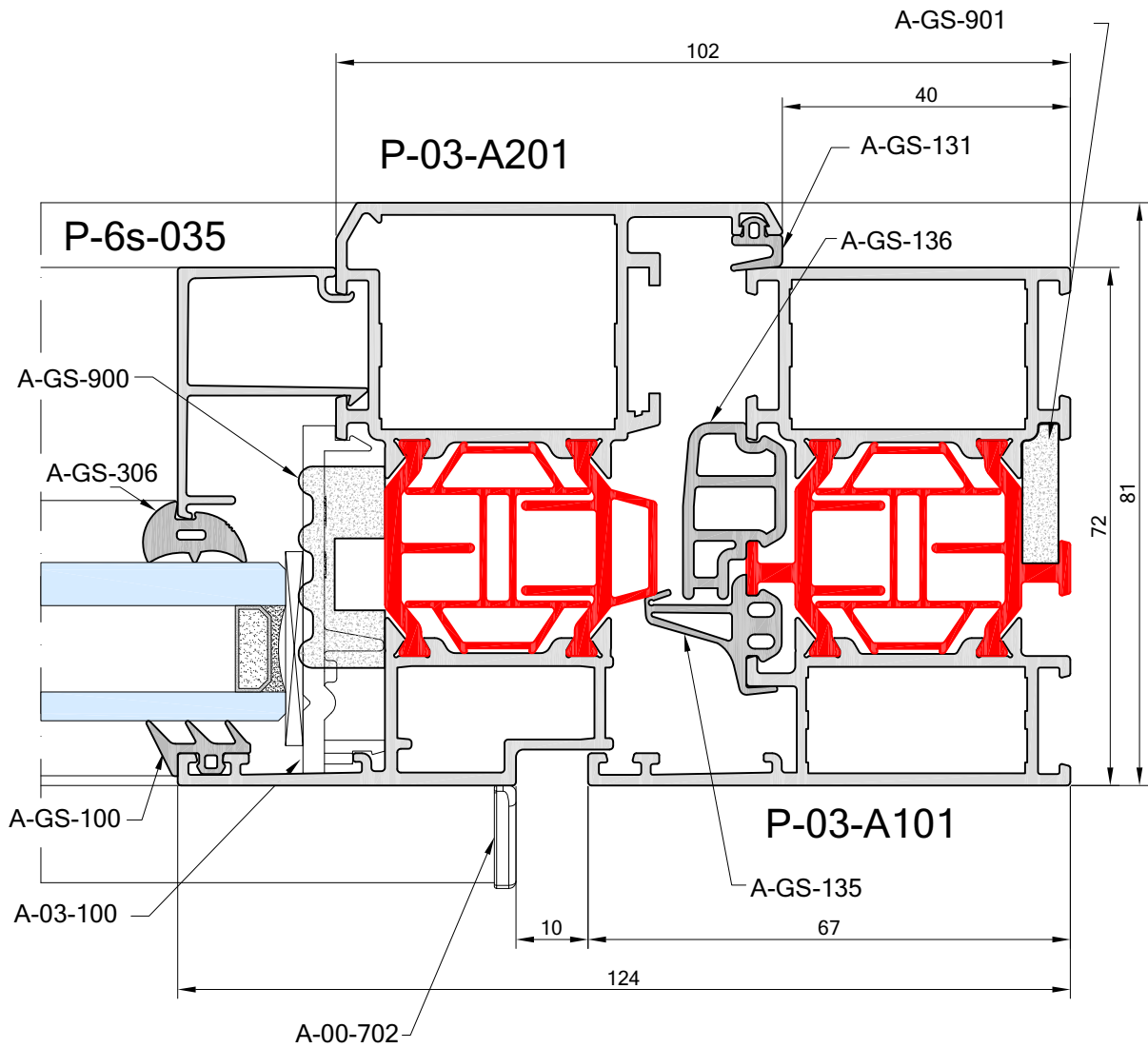
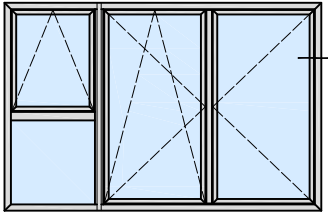
TYPICAL DETAIL

3a



a door3a

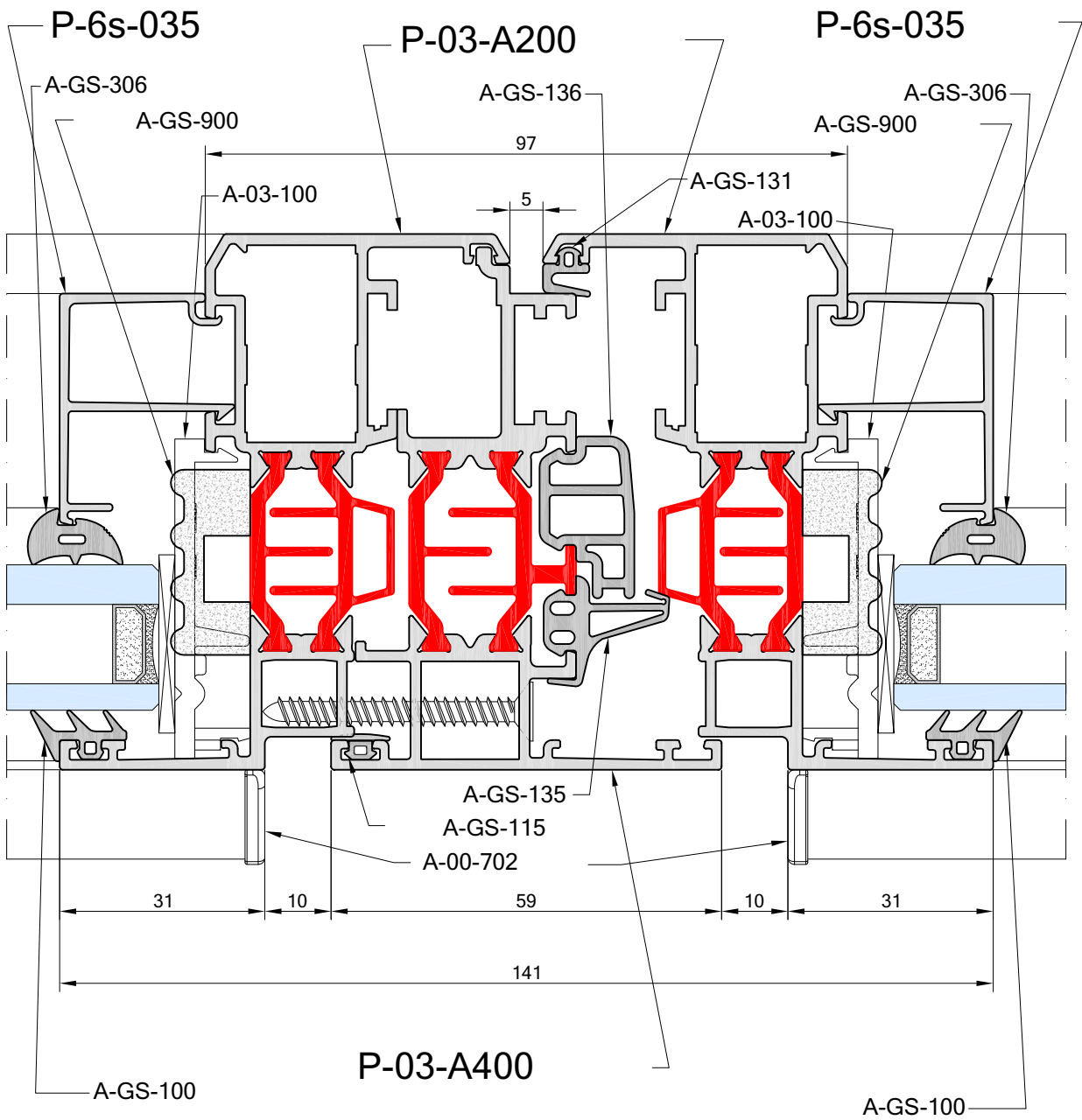
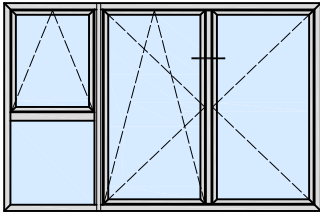
➤ 3b



a door3b

TYPICAL DETAIL

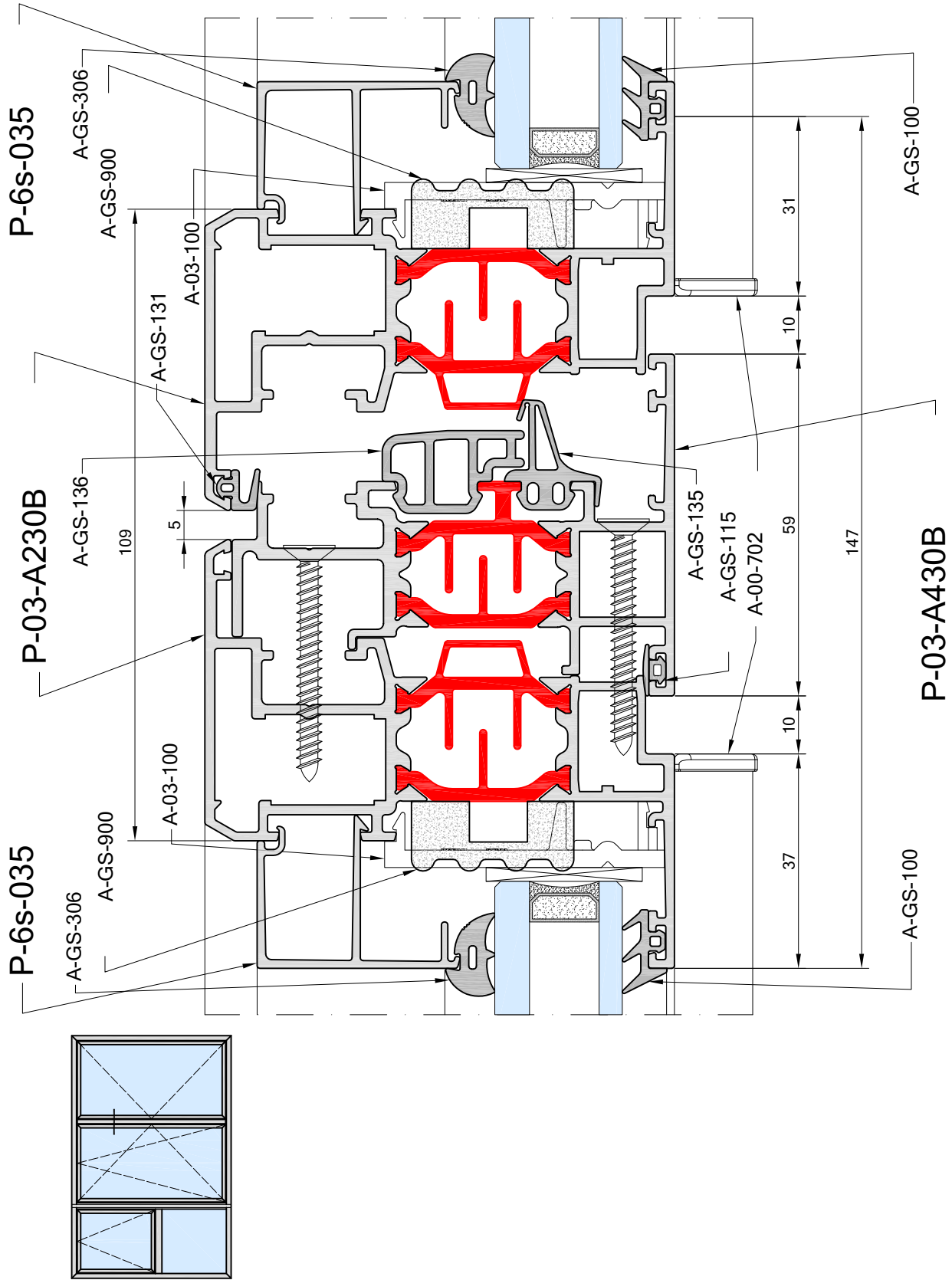
4a



a door4



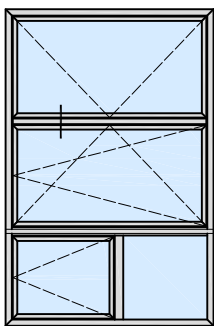
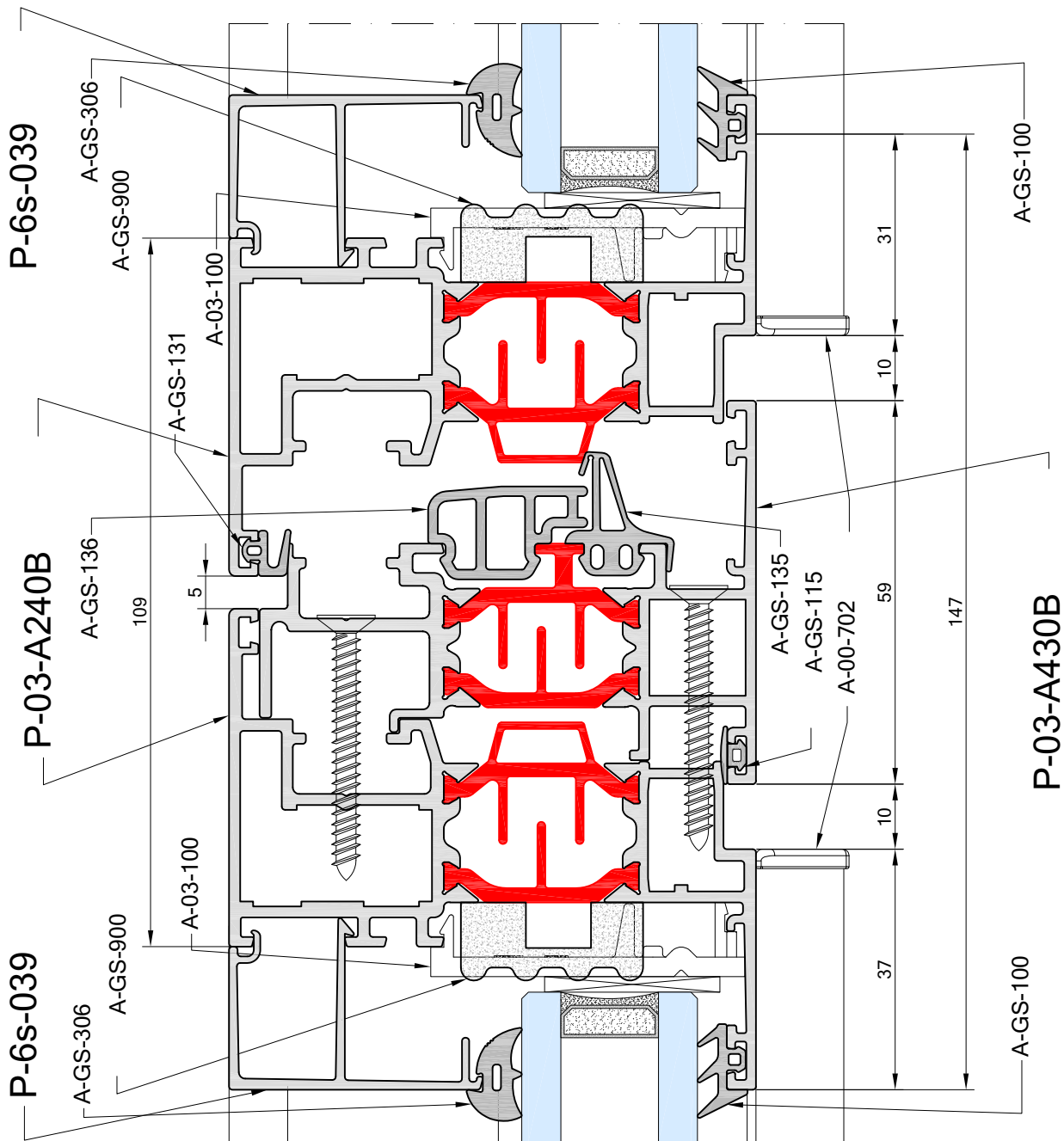
4b



a door4b



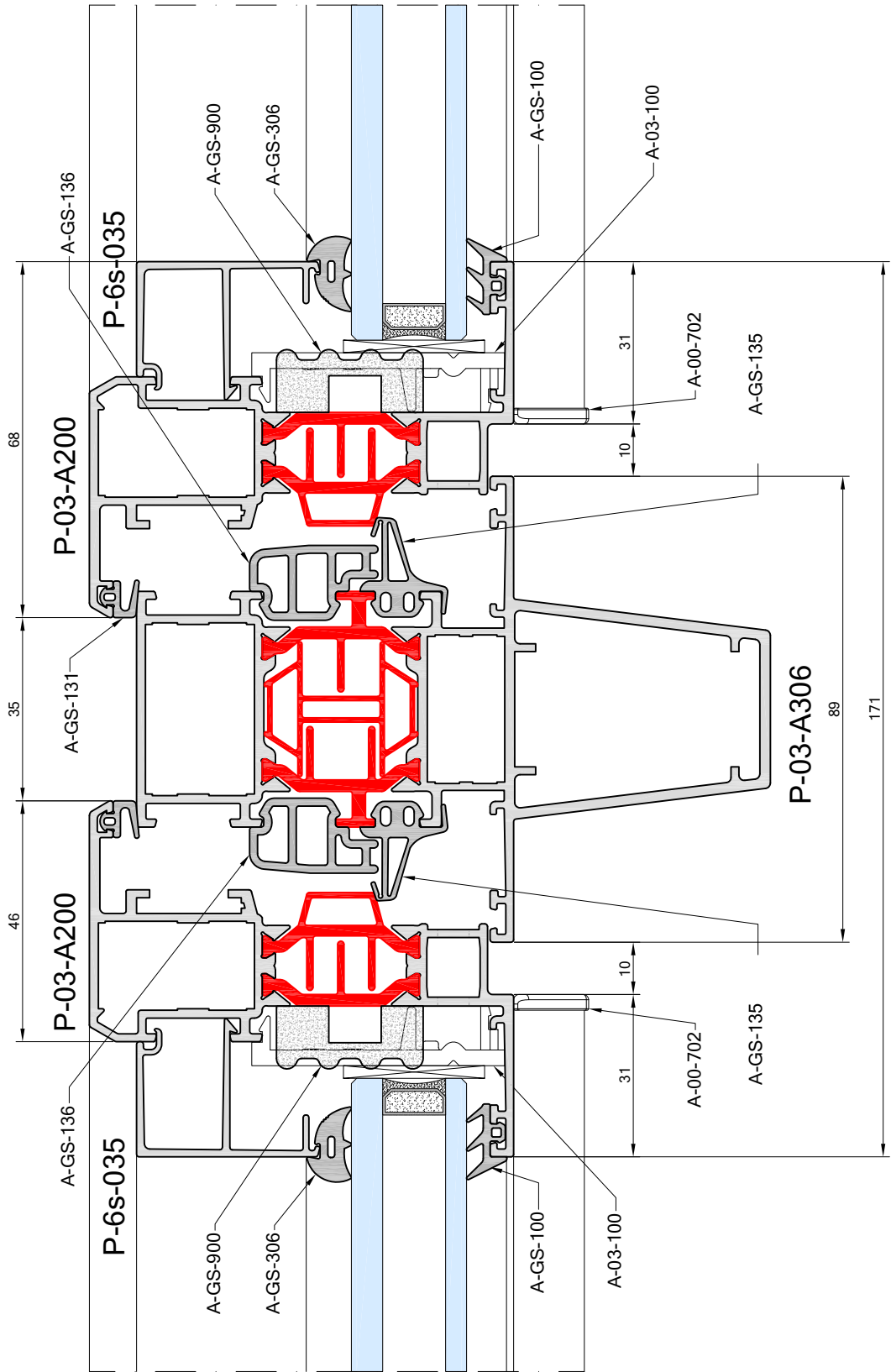
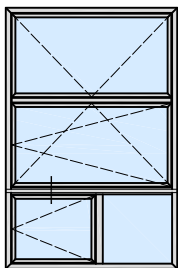
4c



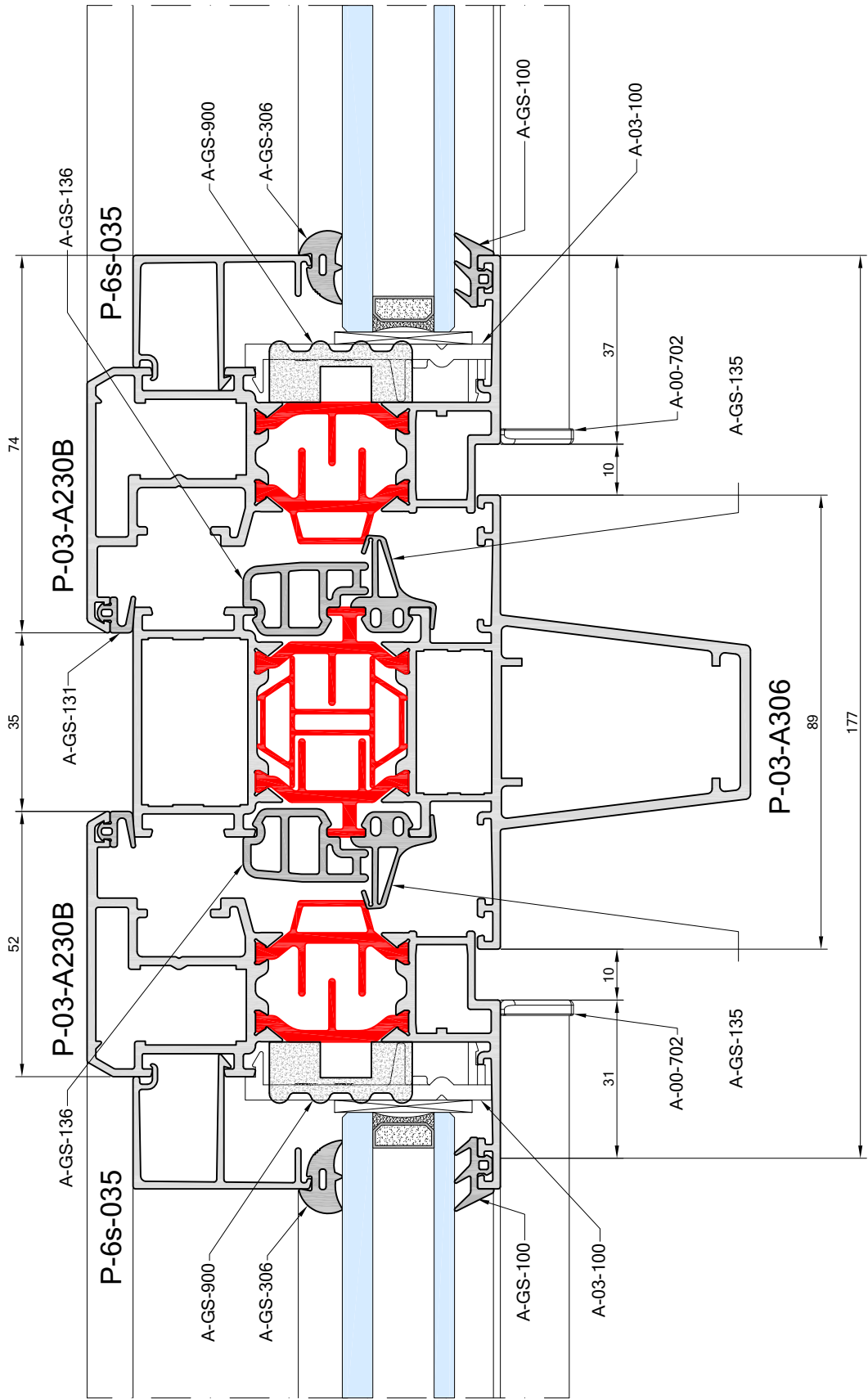
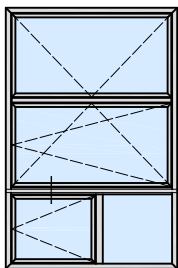
a door4c



5a

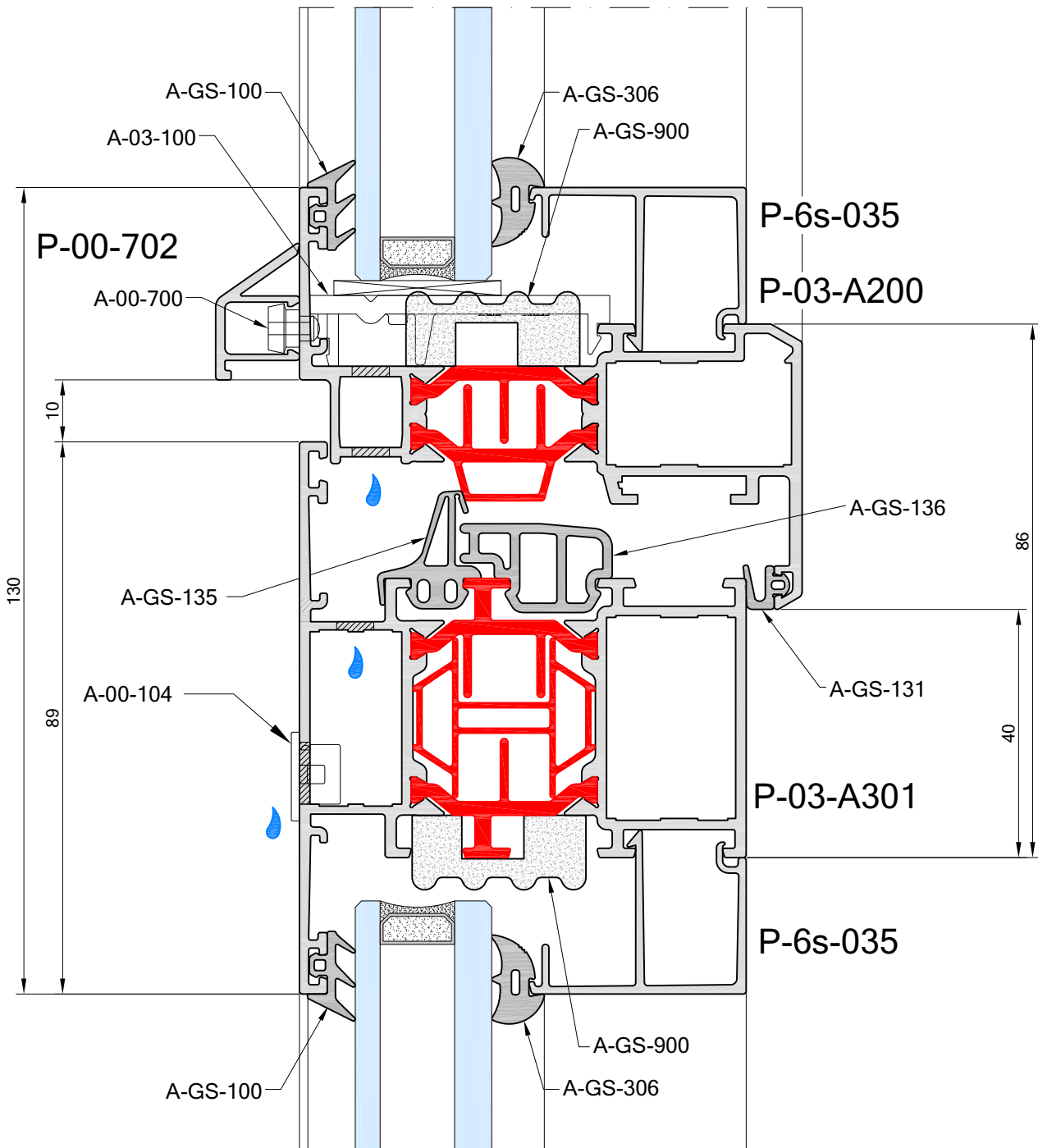
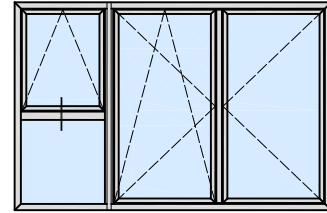


a_door5



a_door5b

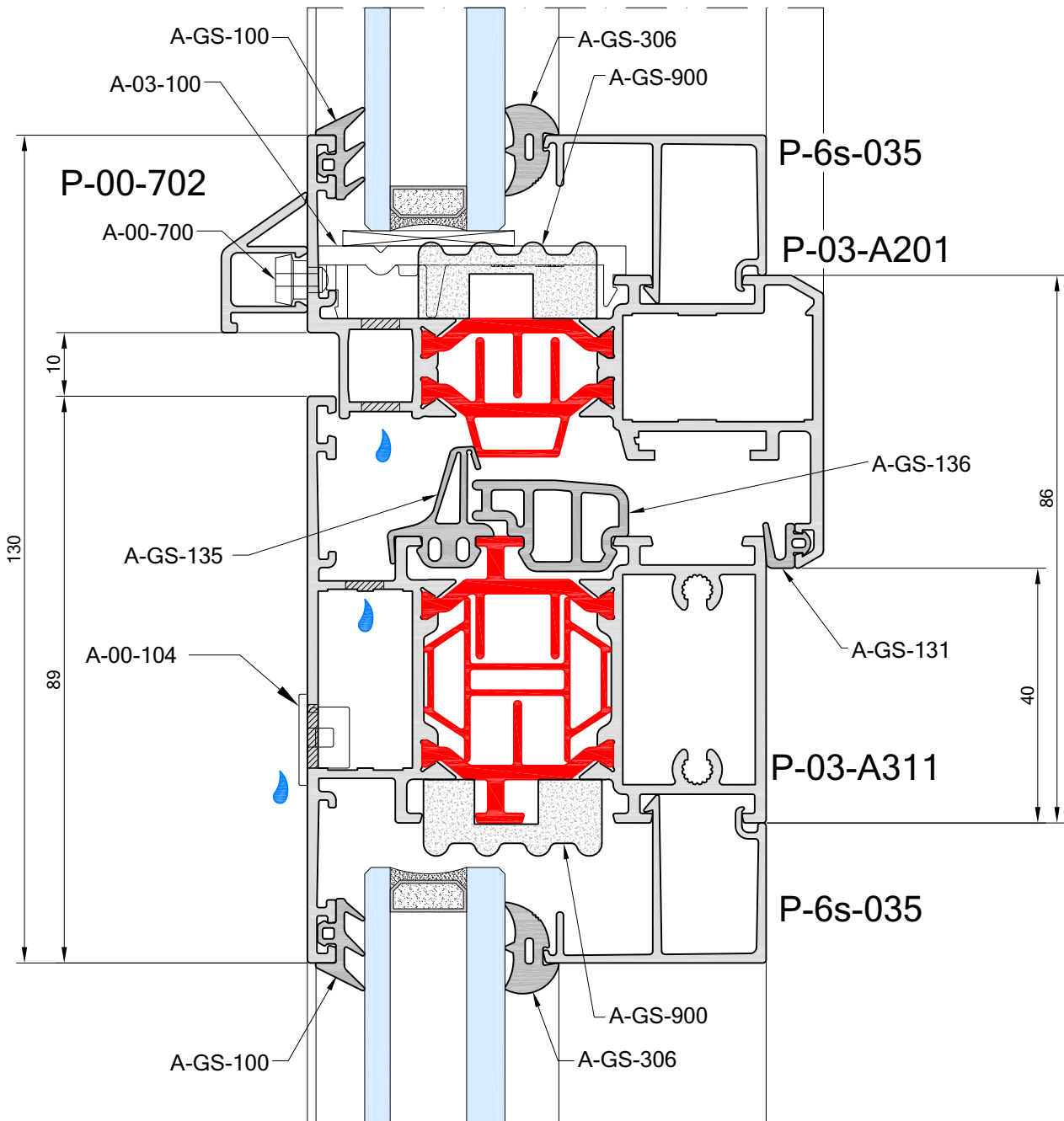
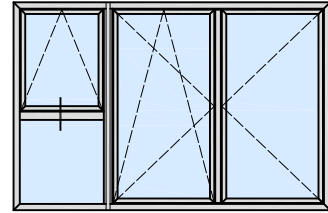
> 6a



a door6a

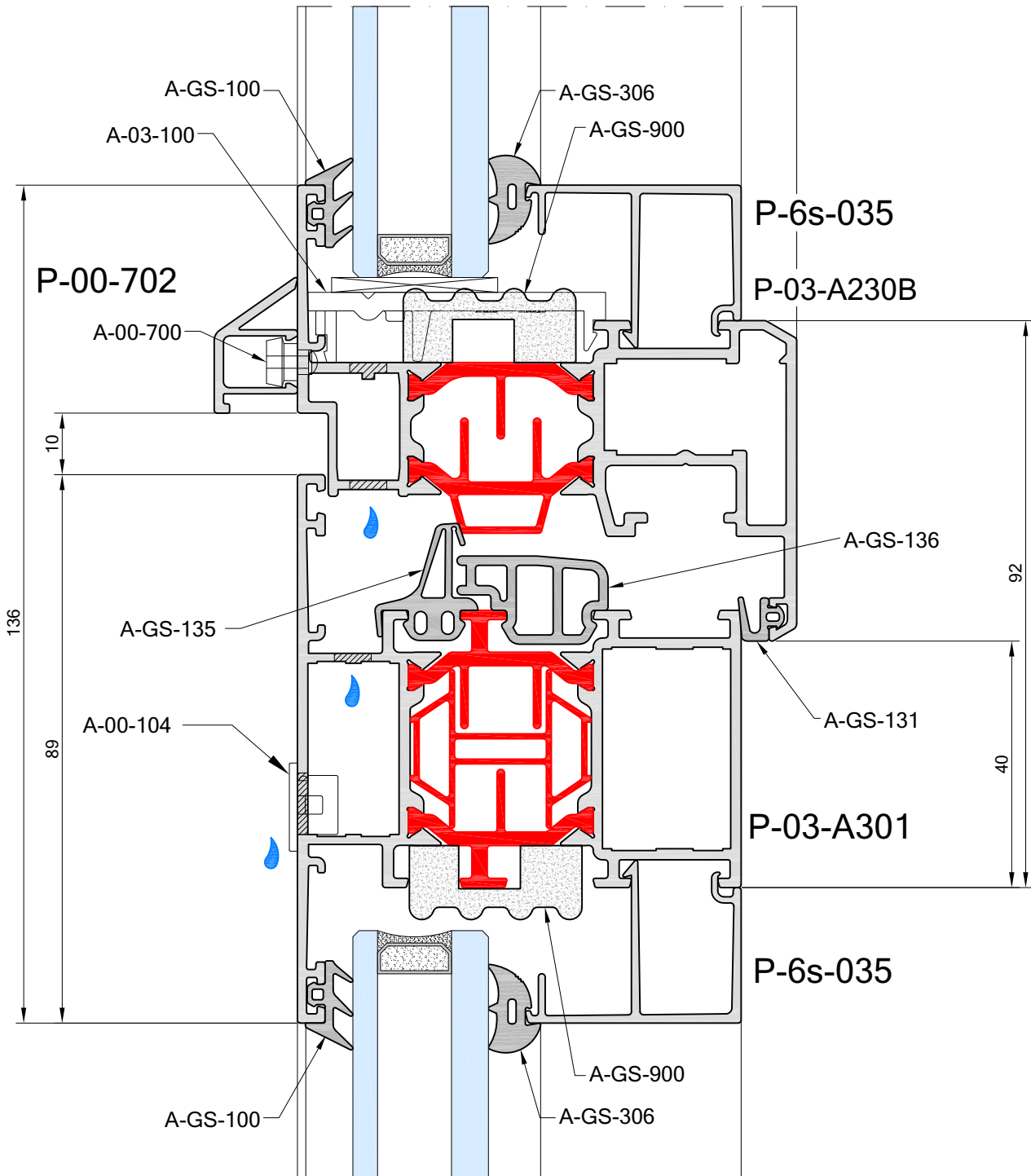
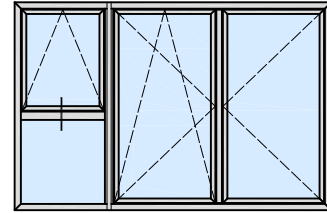
TYPICAL DETAIL

6b



a door6b

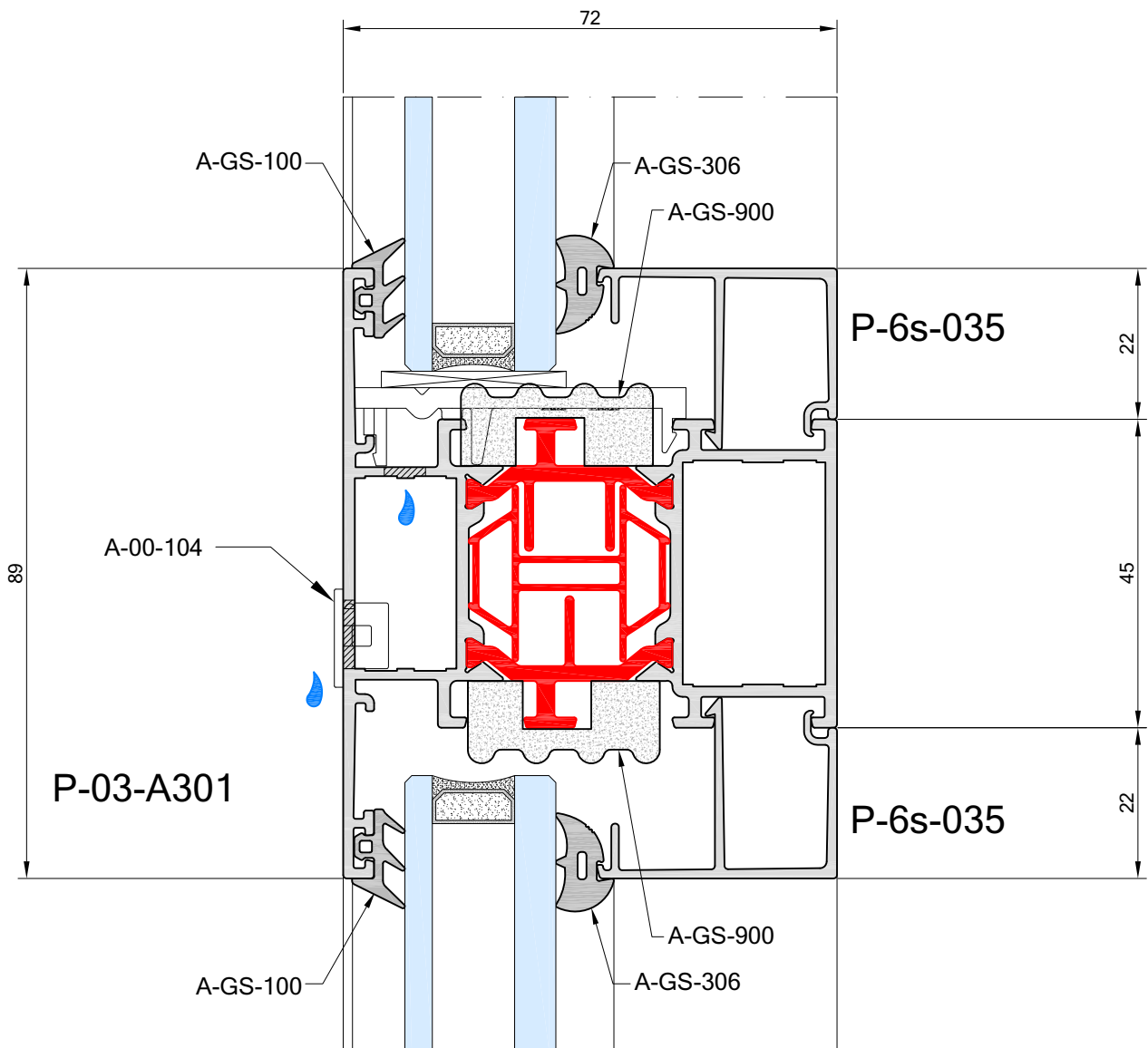
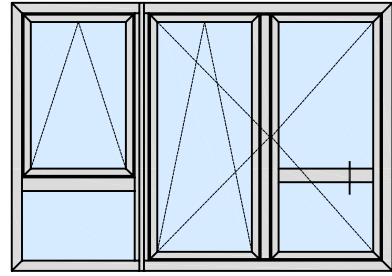
> 6c



a door6c

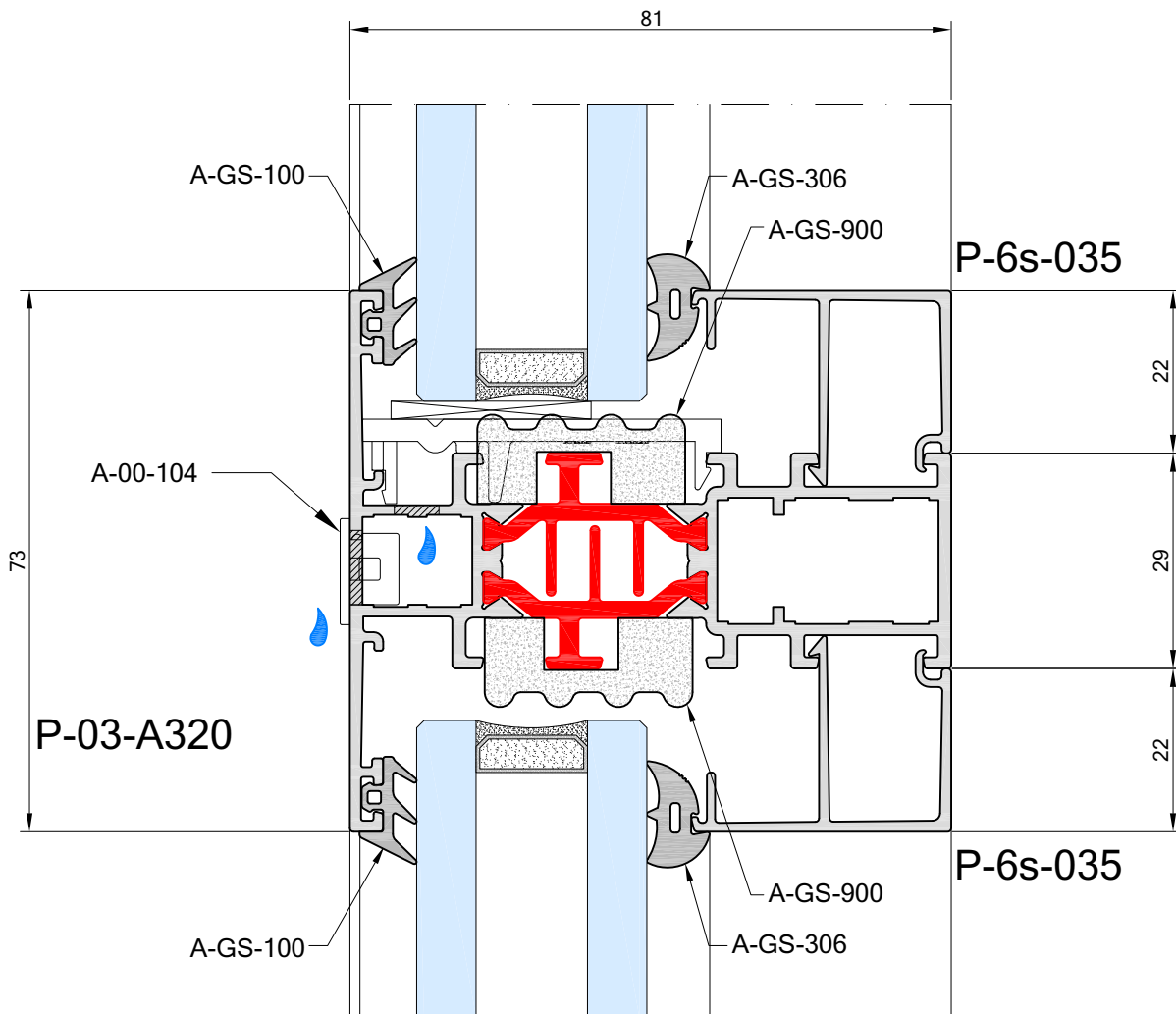
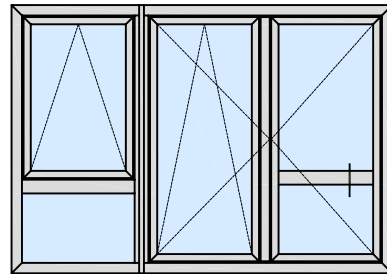
TYPICAL DETAIL

› 6.1a



a door6-1

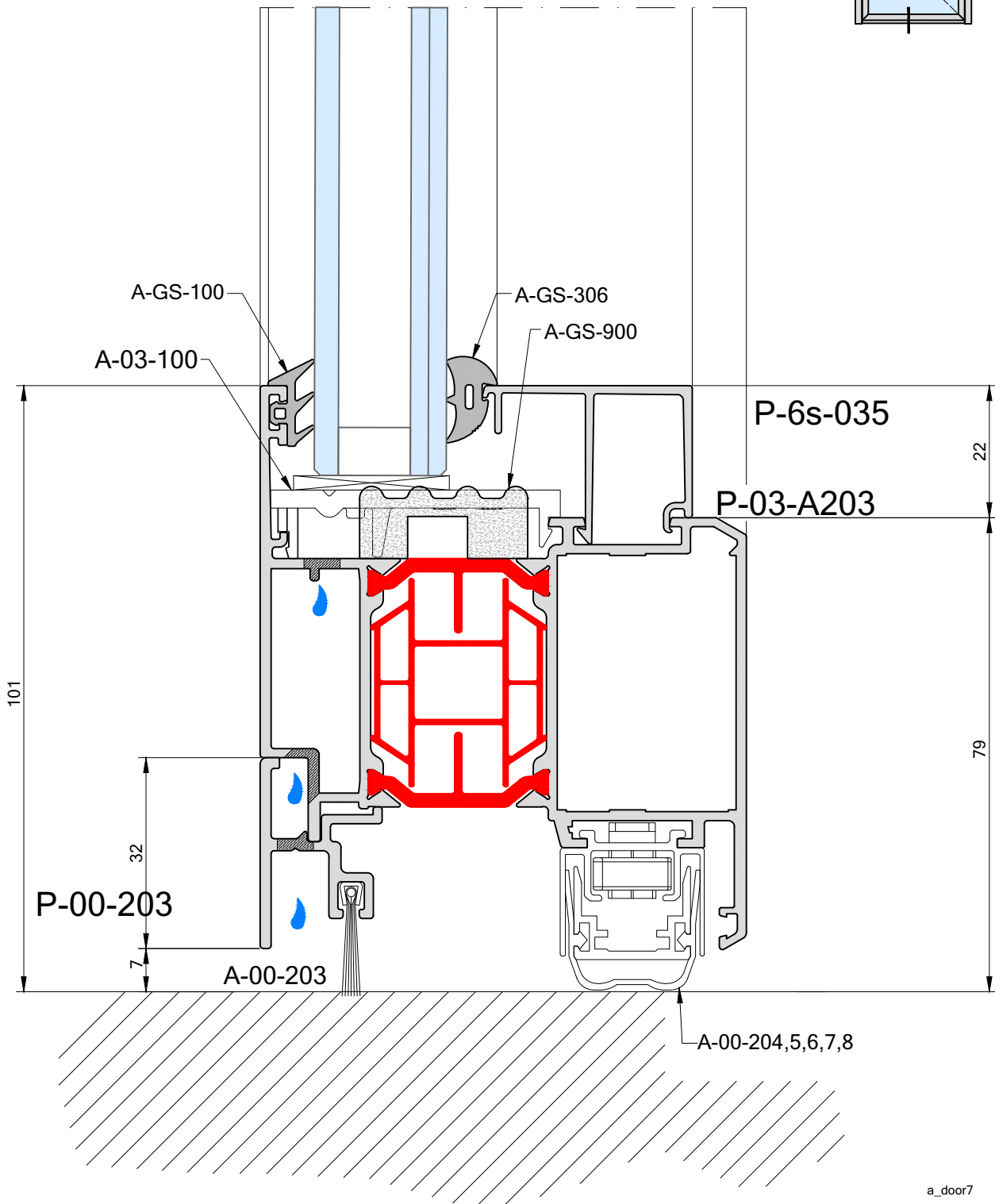
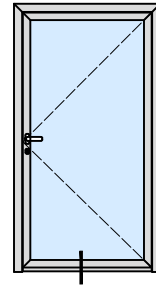
› 6.1b



a door6-1b

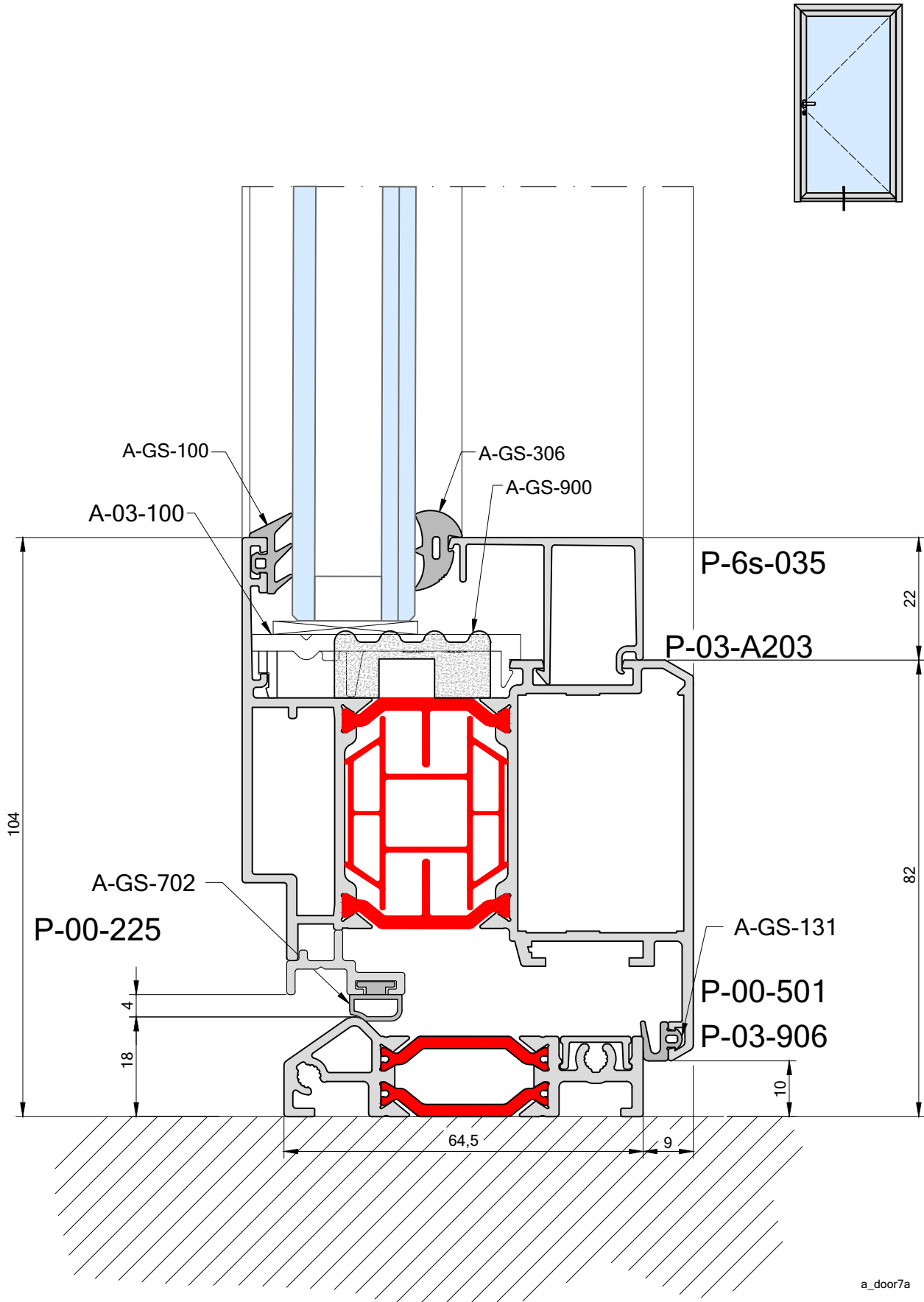
TYPICAL DETAIL

7a



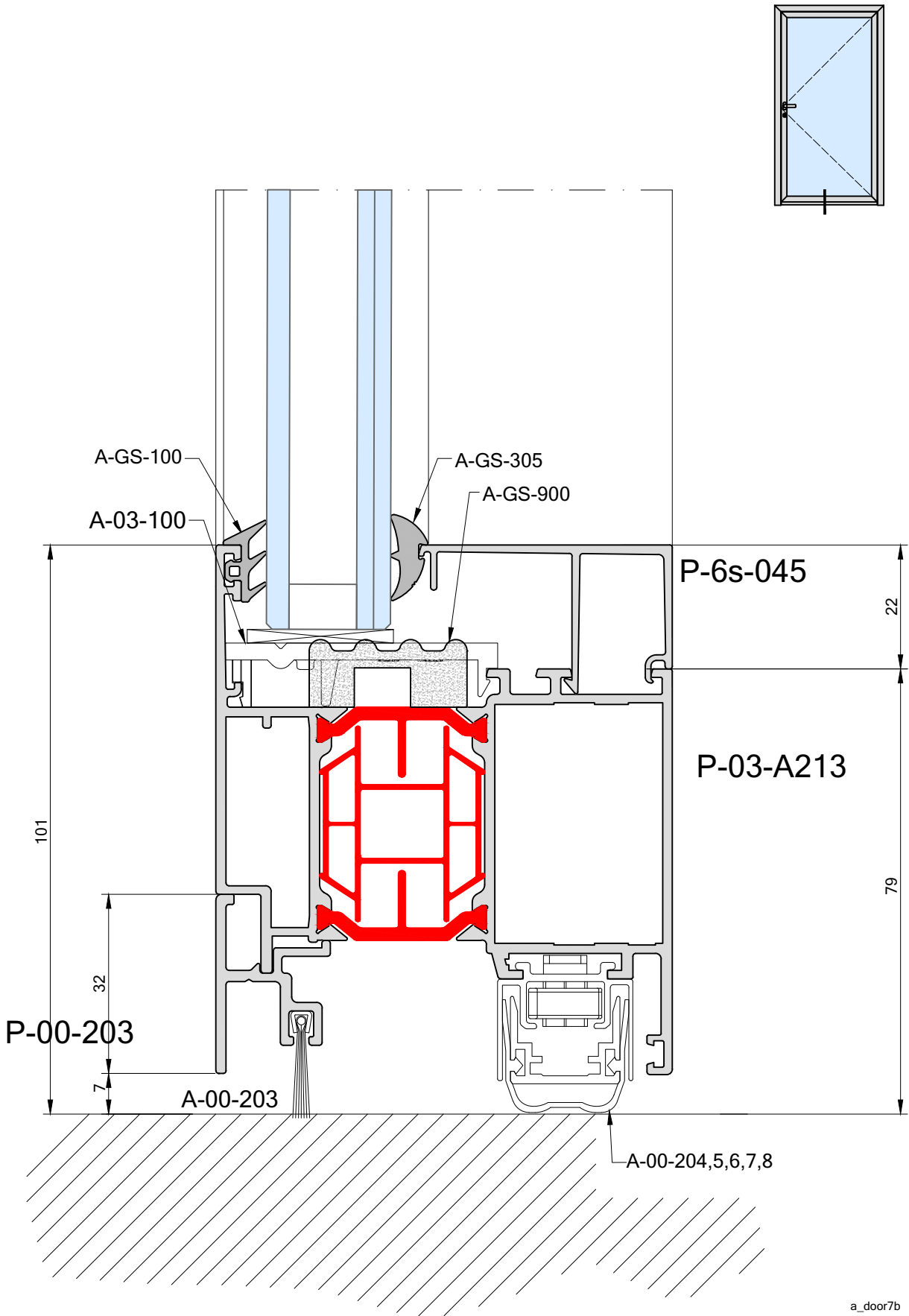
a_door7

7a



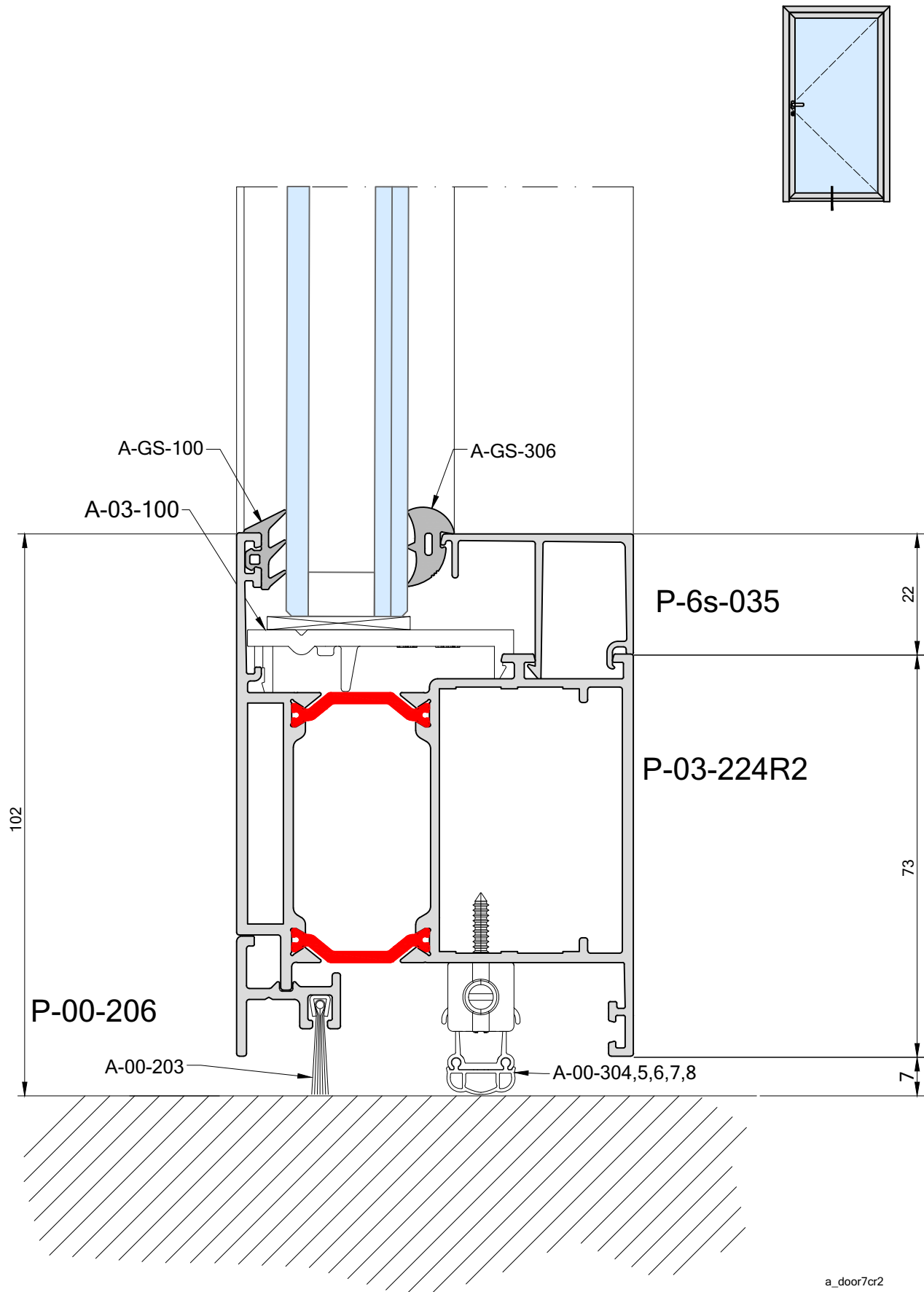
TYPICAL DETAIL

7b



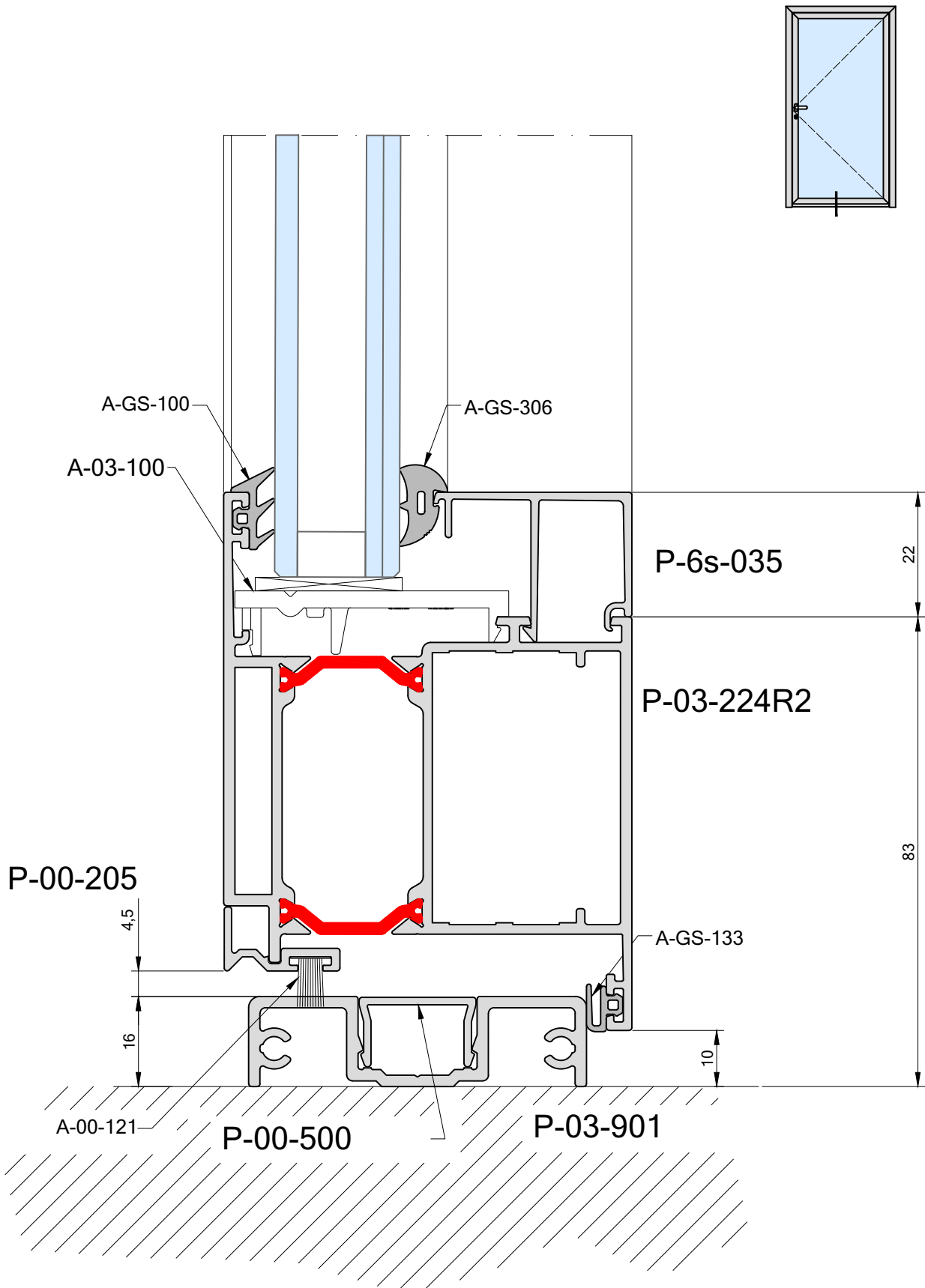
a_door7b

7c



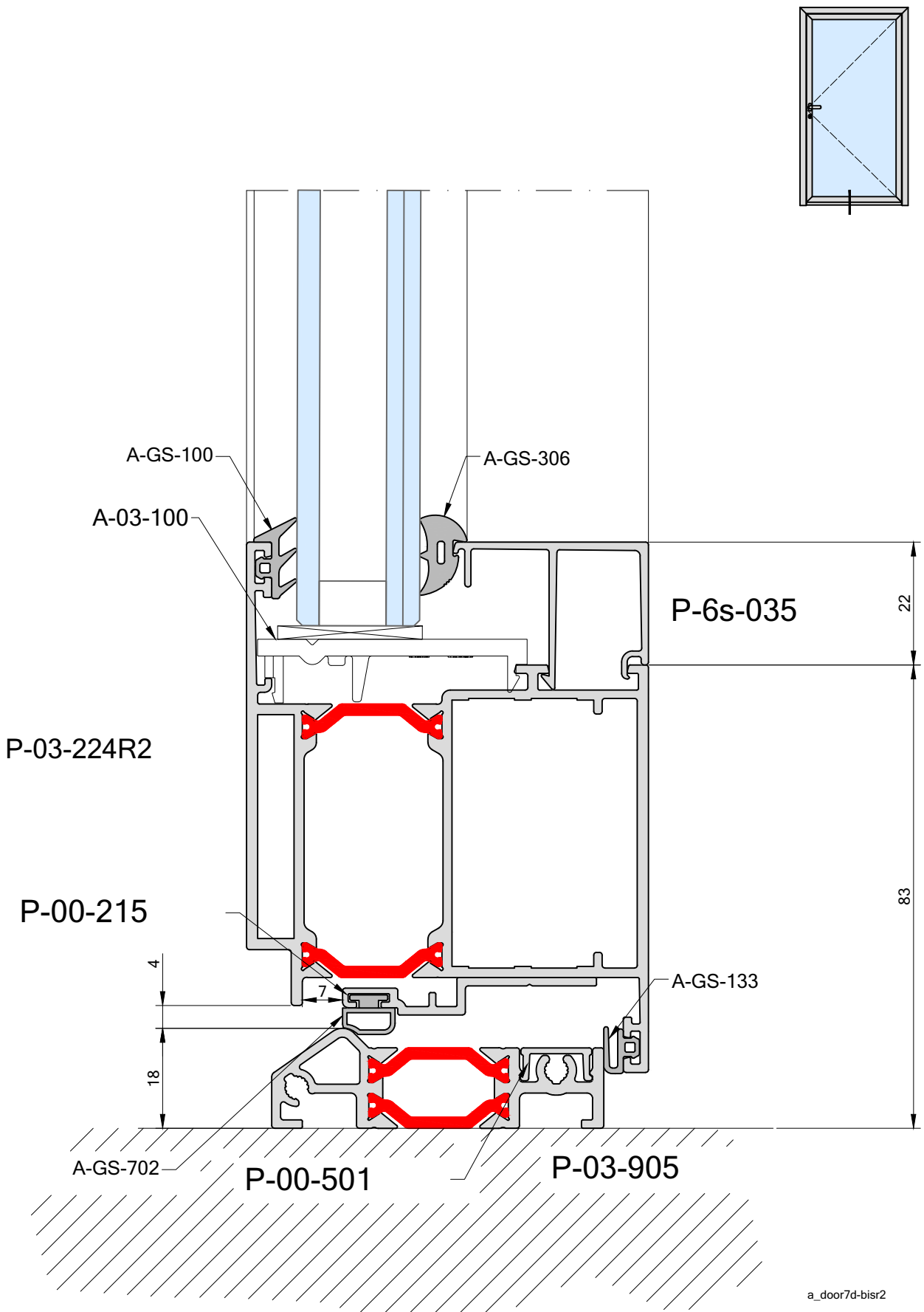
TYPICAL DETAIL

7d



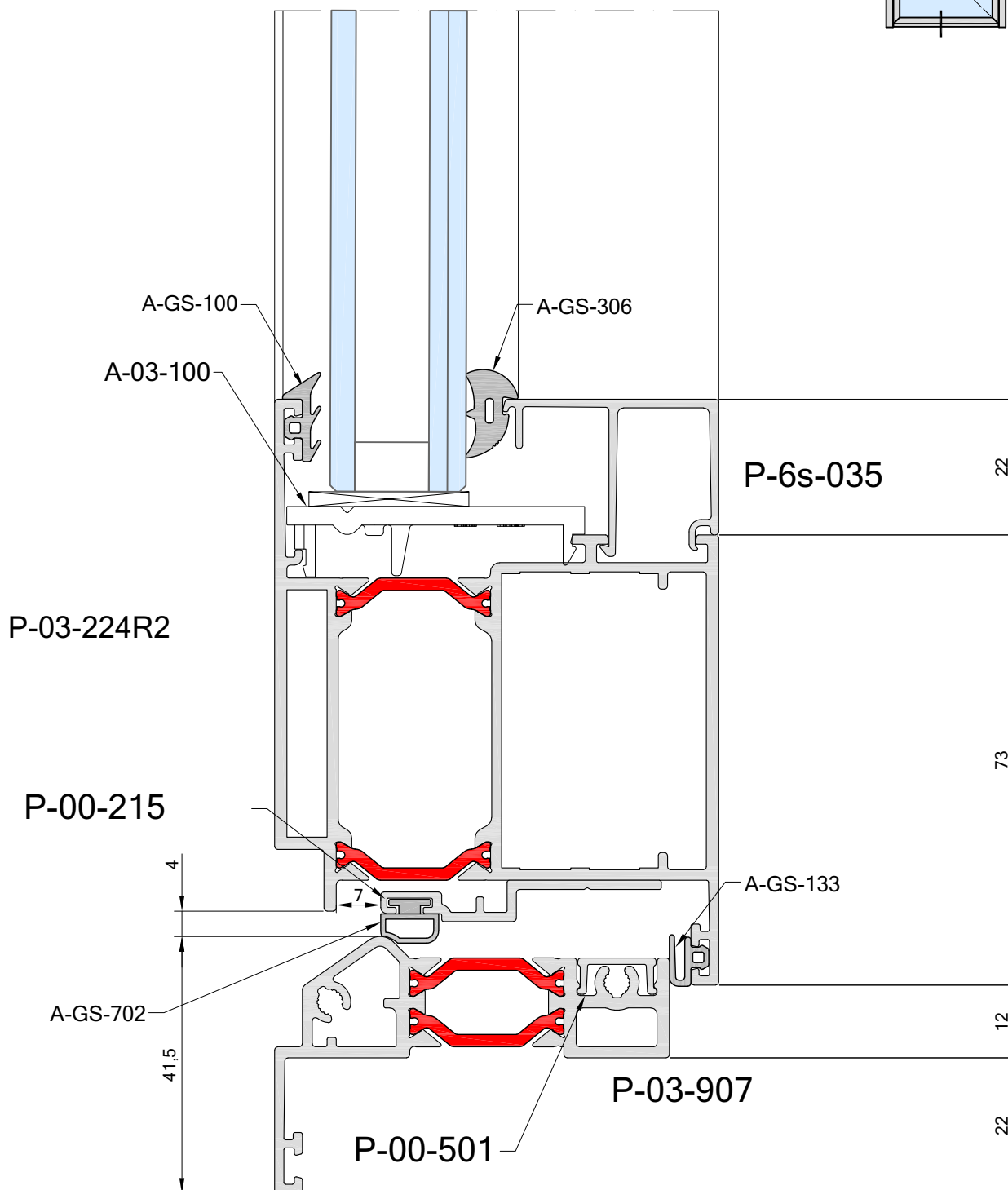
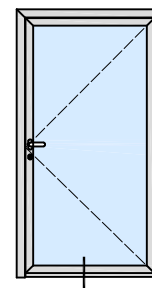
a_door7dr2

> 7d-bis



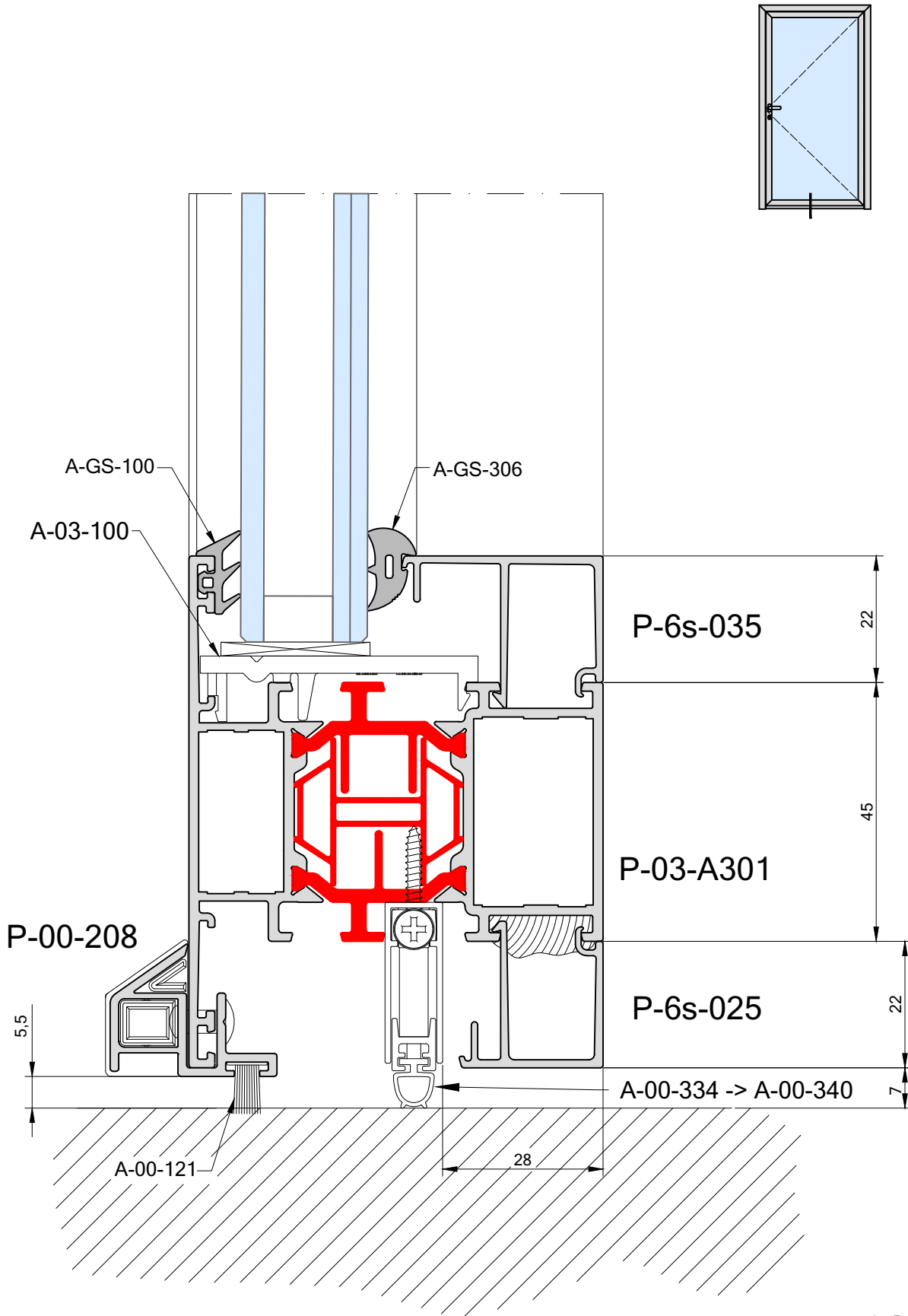
TYPICAL DETAIL

7d-bis



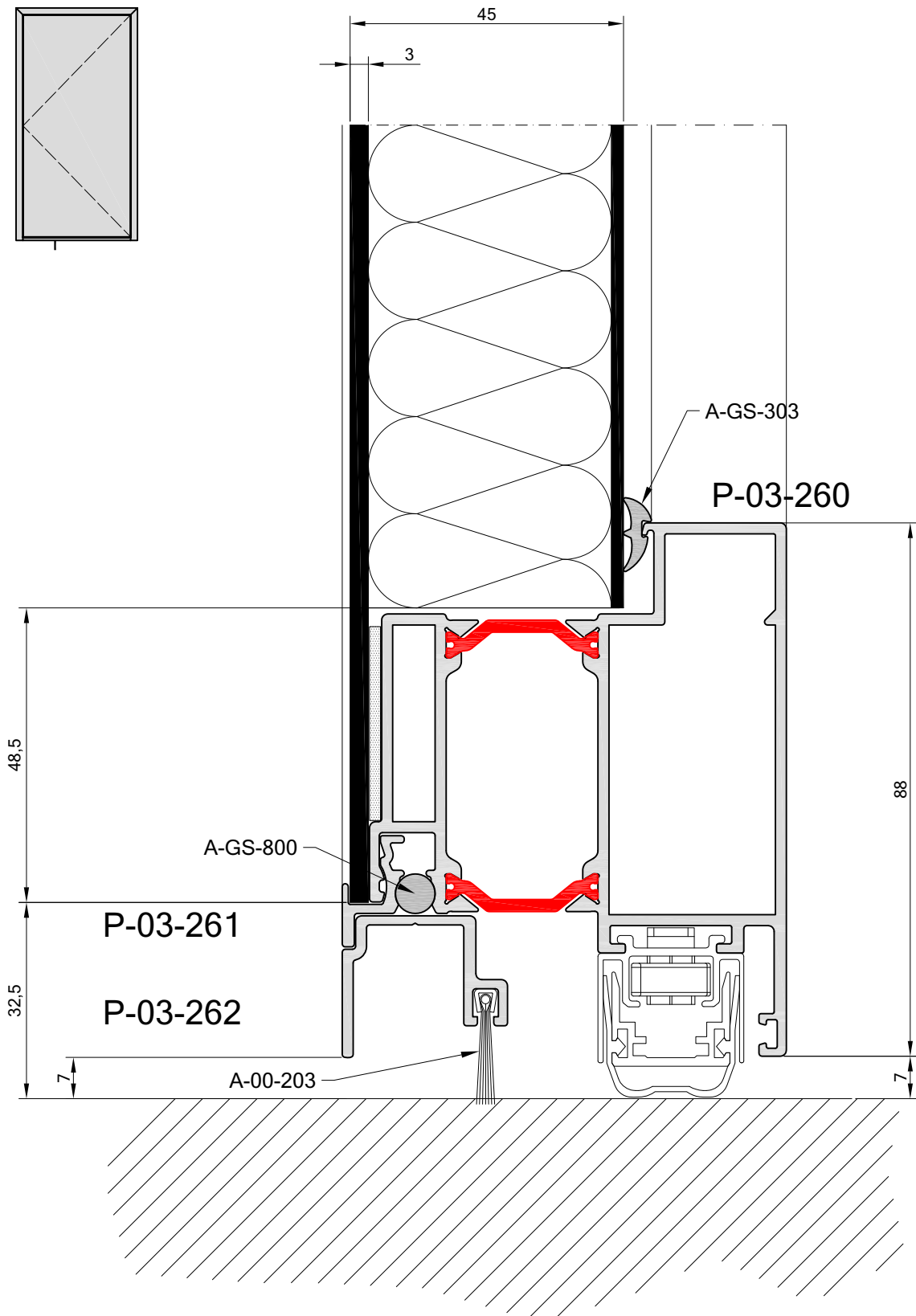
a_door7d-bisr2nl

7e



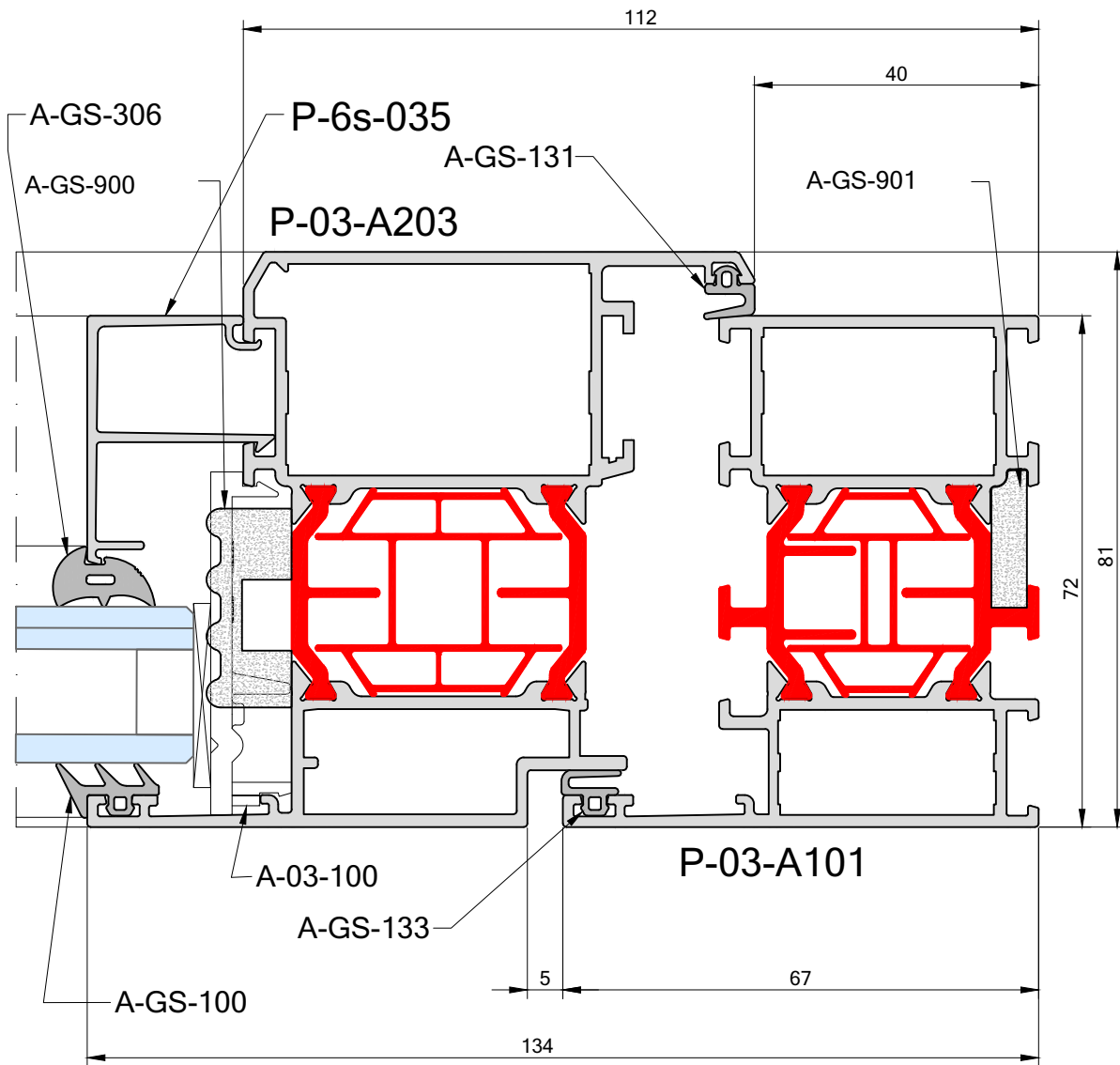
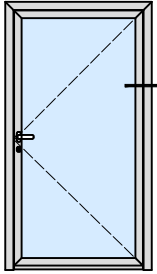
a_door7e

TYPICAL DETAIL



a_door7f

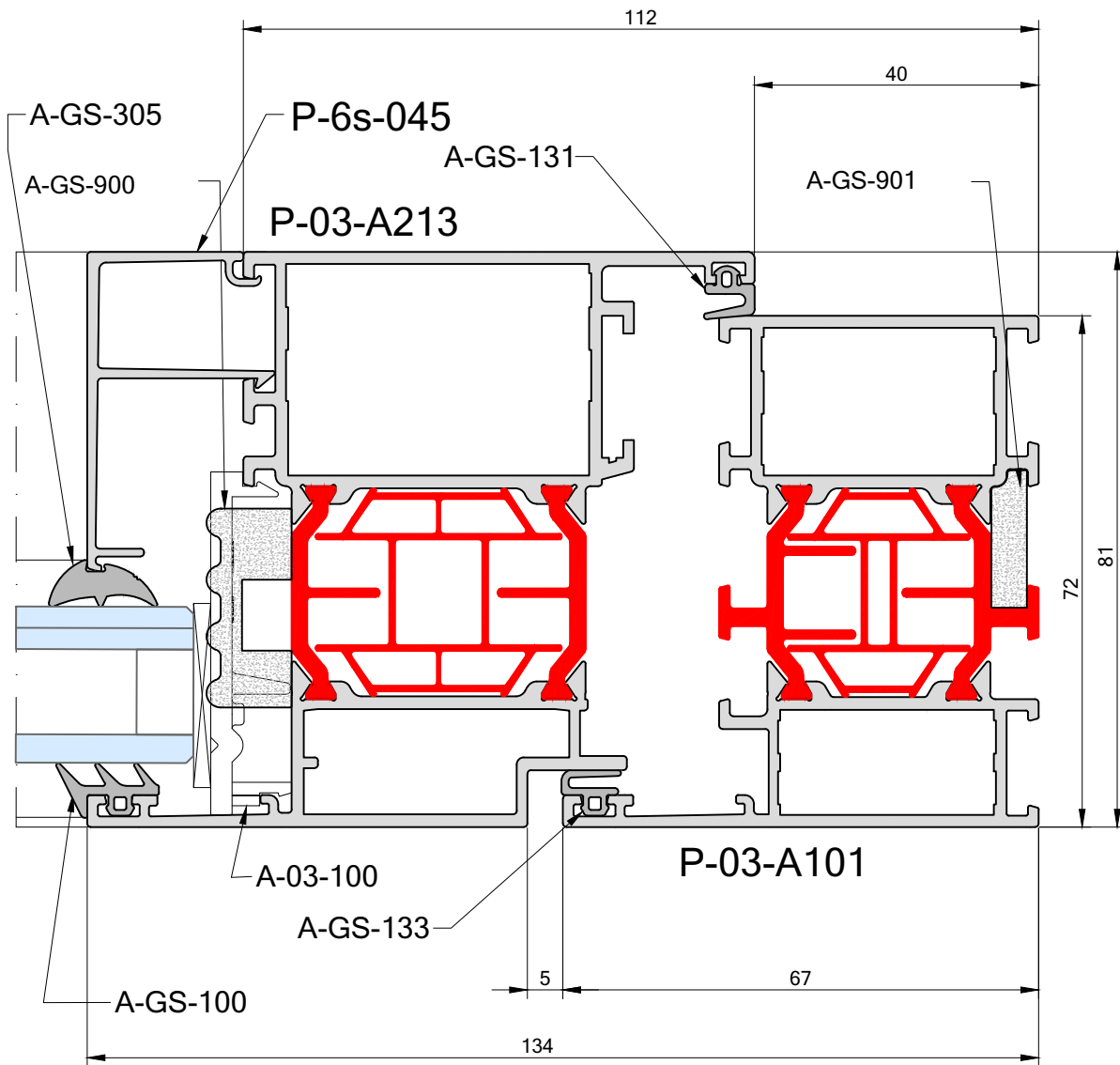
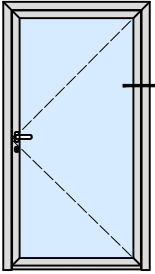
8a



a_door8

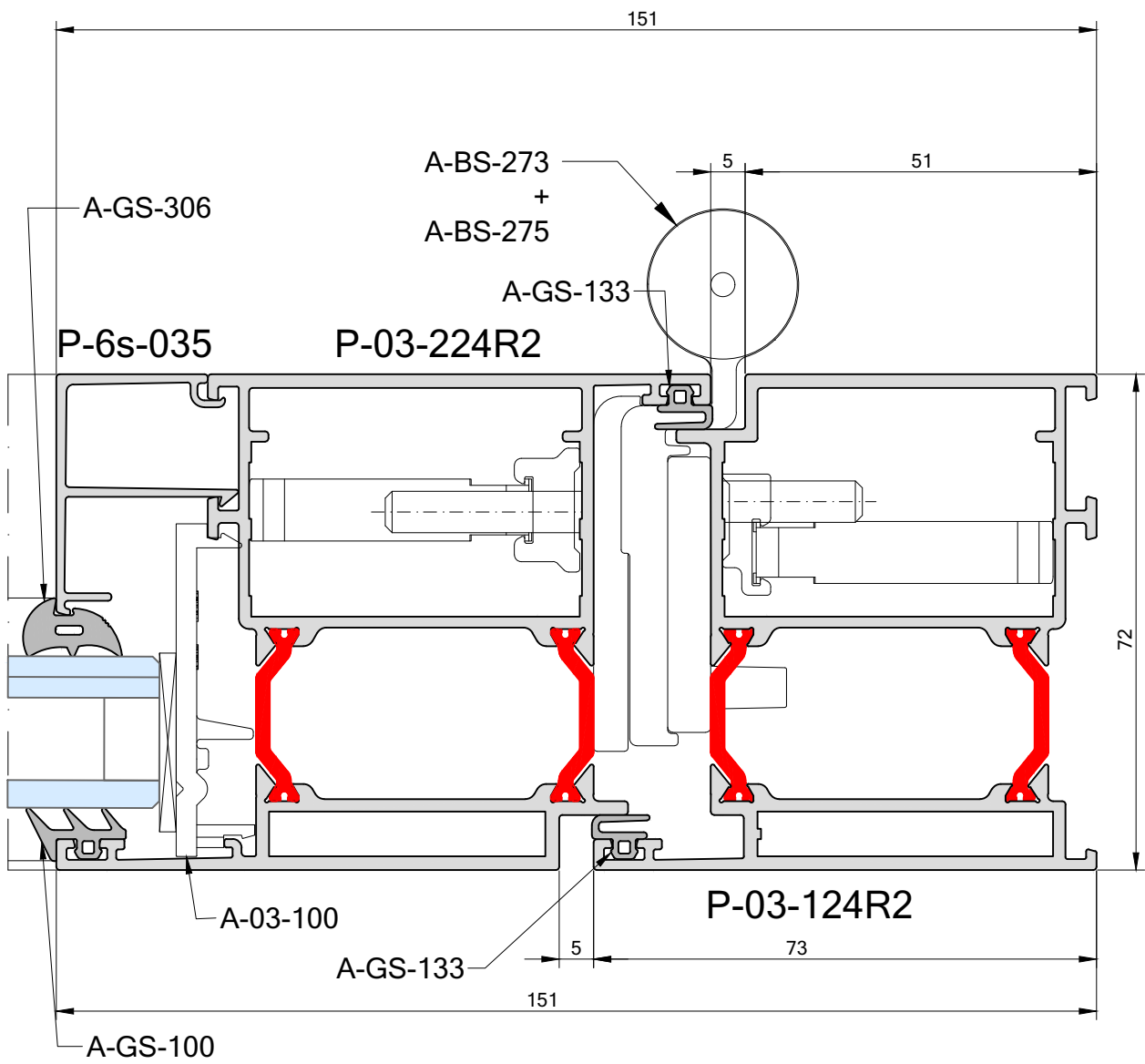
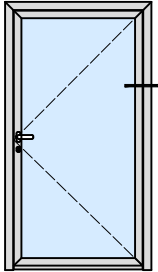
TYPICAL DETAIL

8b



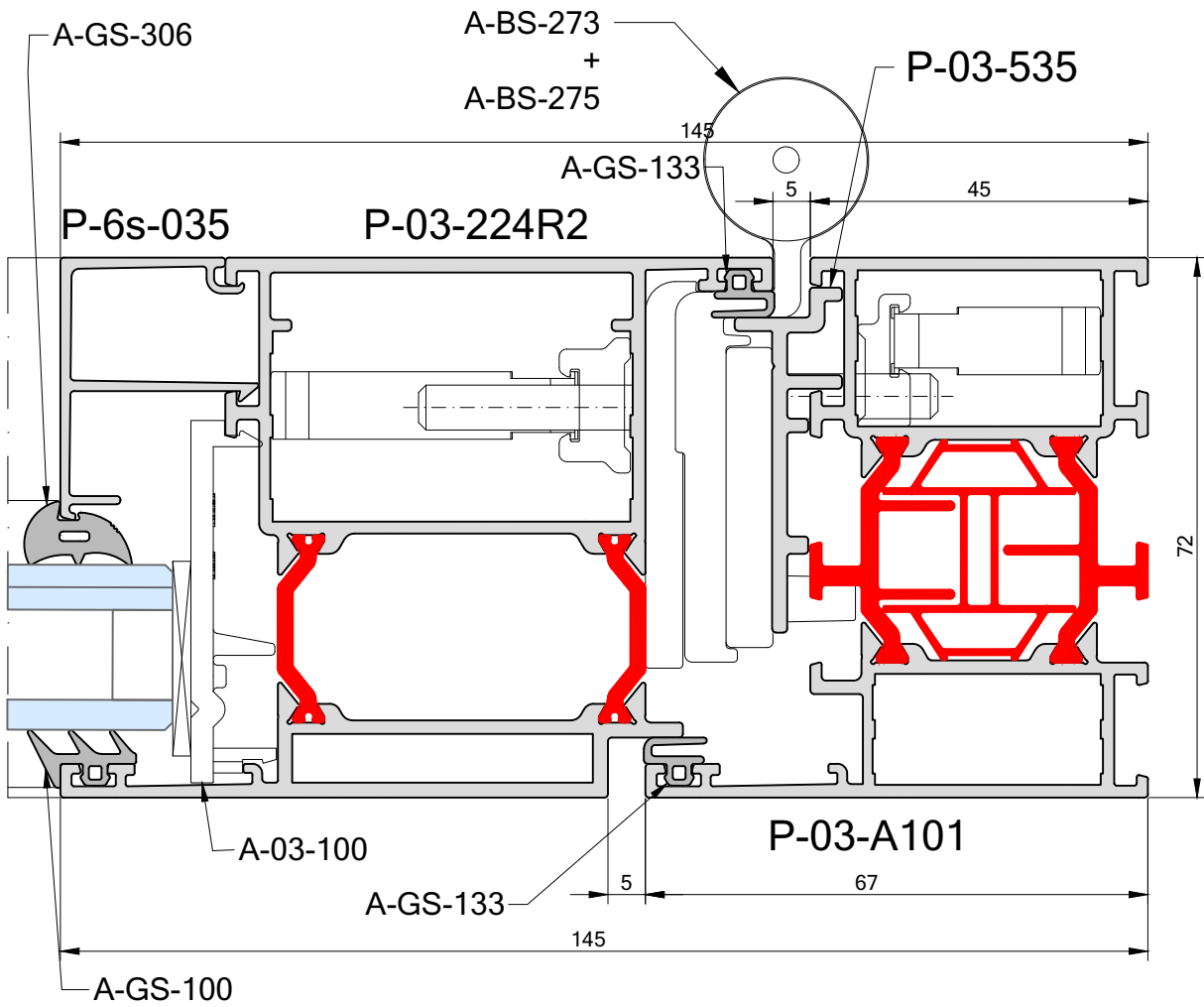
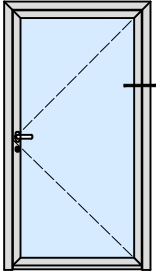
a_door8b

➤ 8c



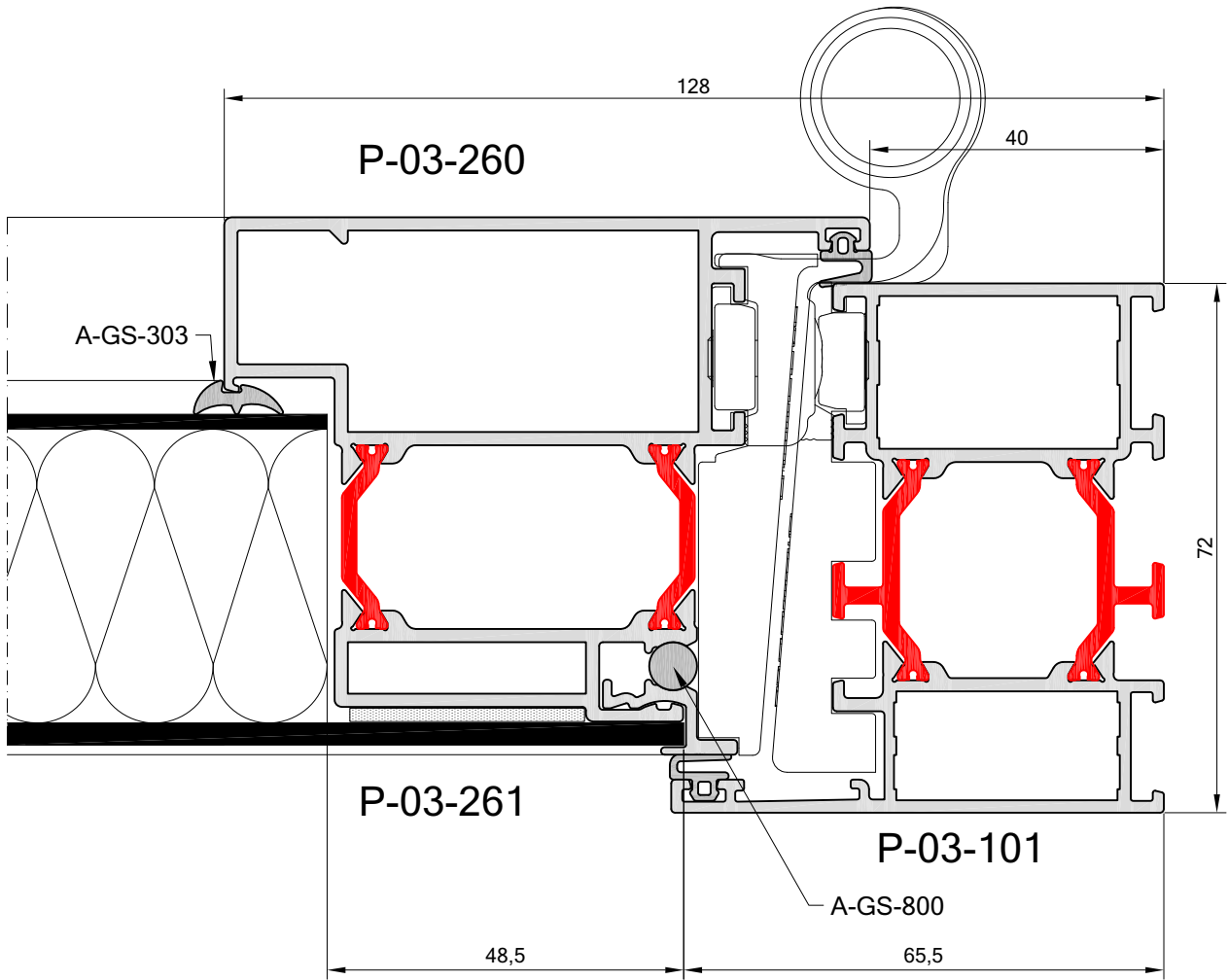
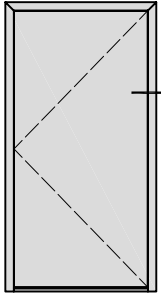
a_door8cr2

8d



a_door8dr2

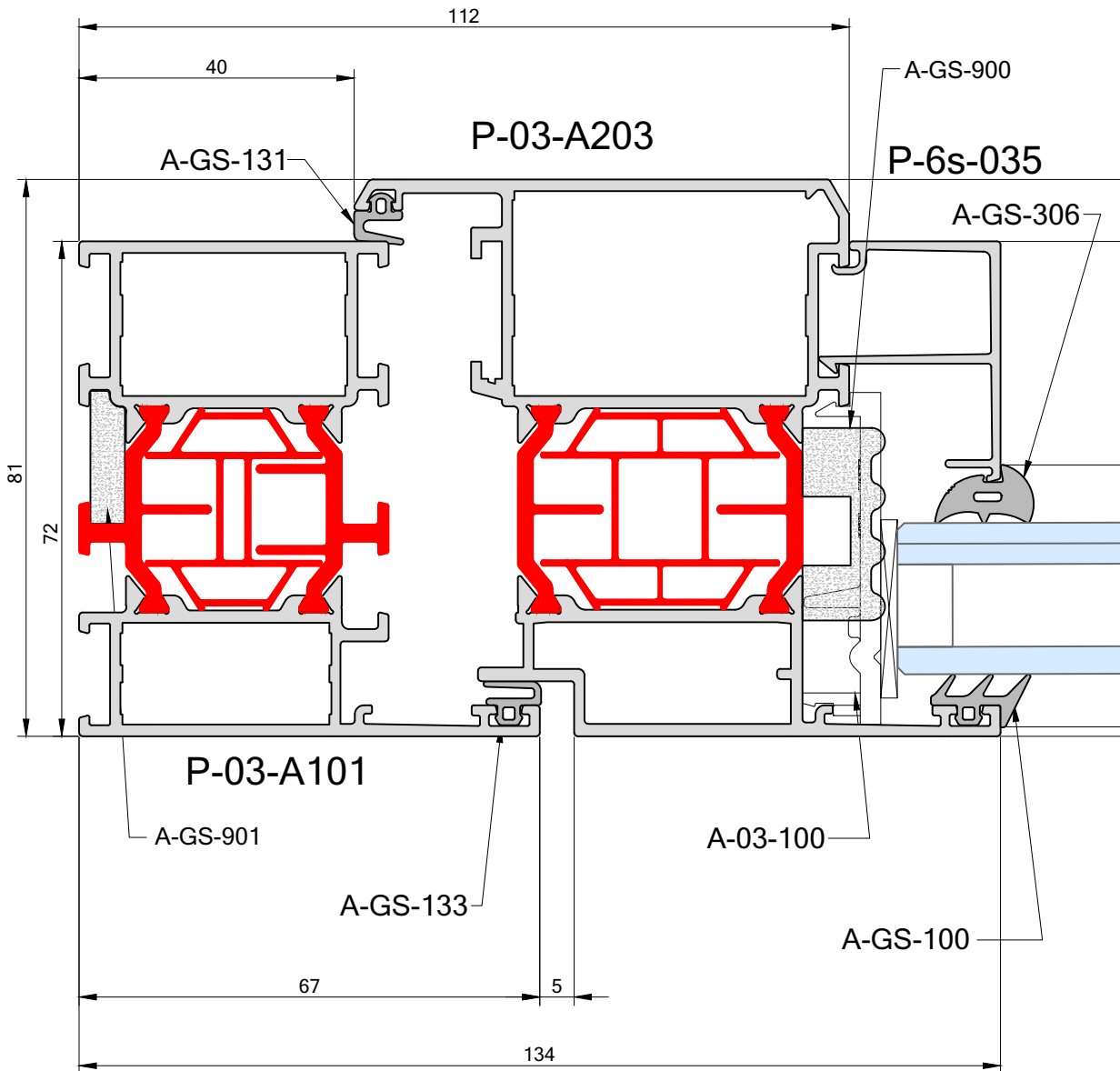
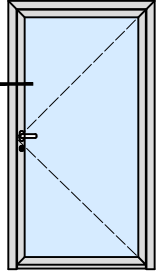
> 8e



TYPICAL DETAIL

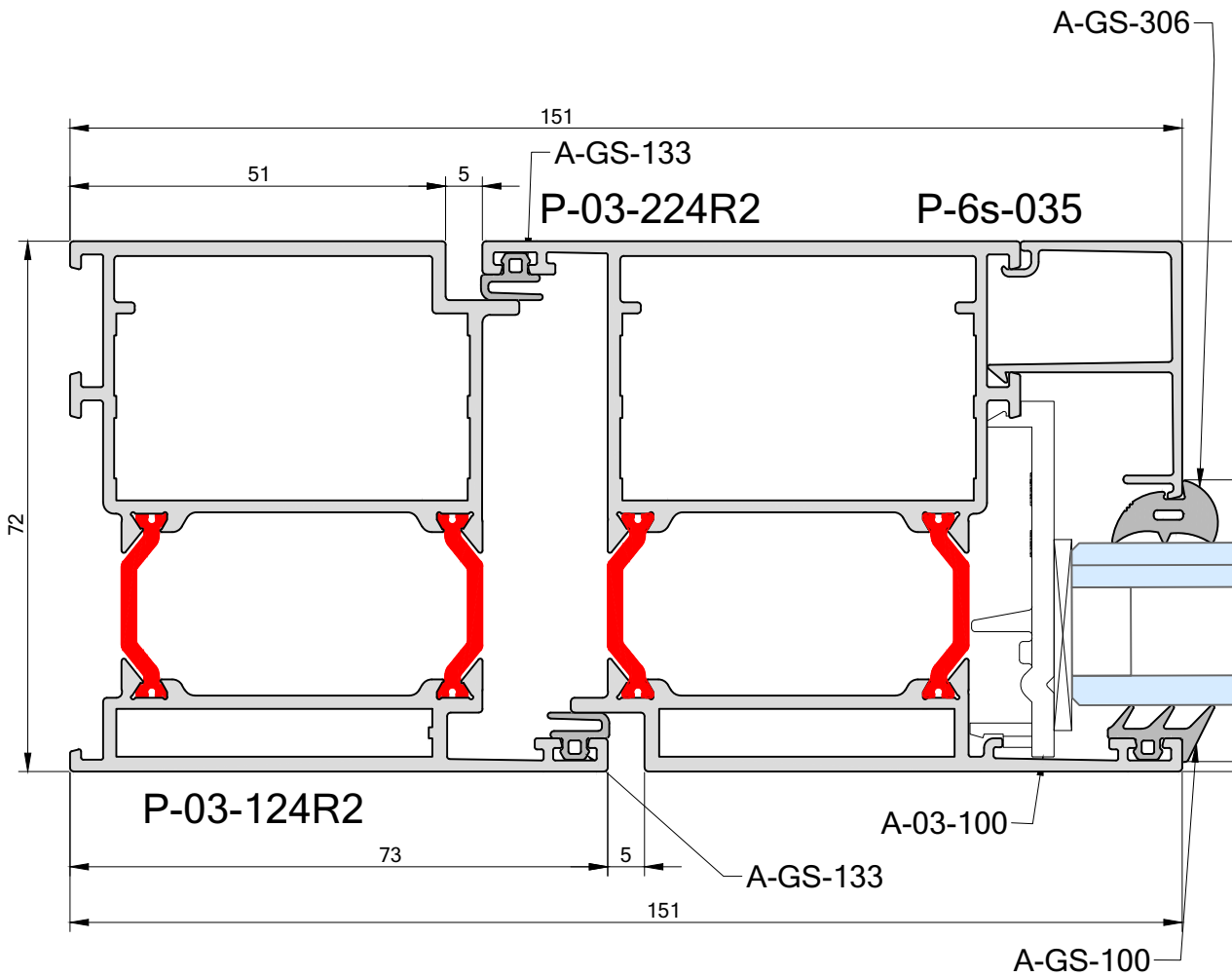
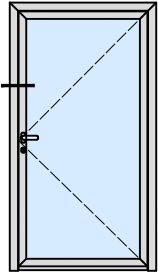
a door8e

9a



a_door9

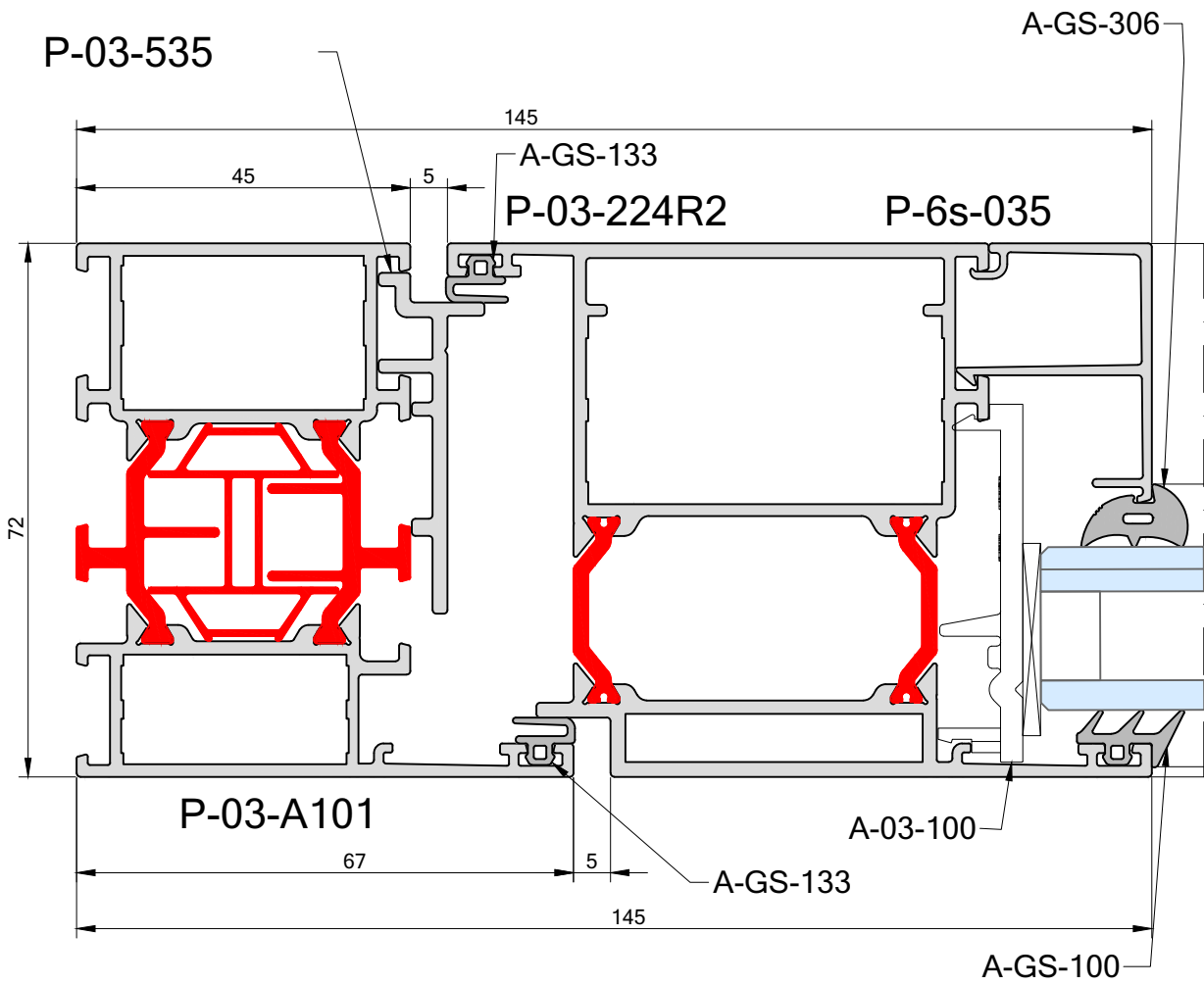
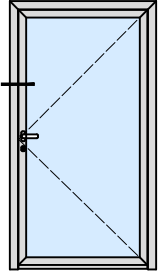
> 9b



TYPICAL DETAIL

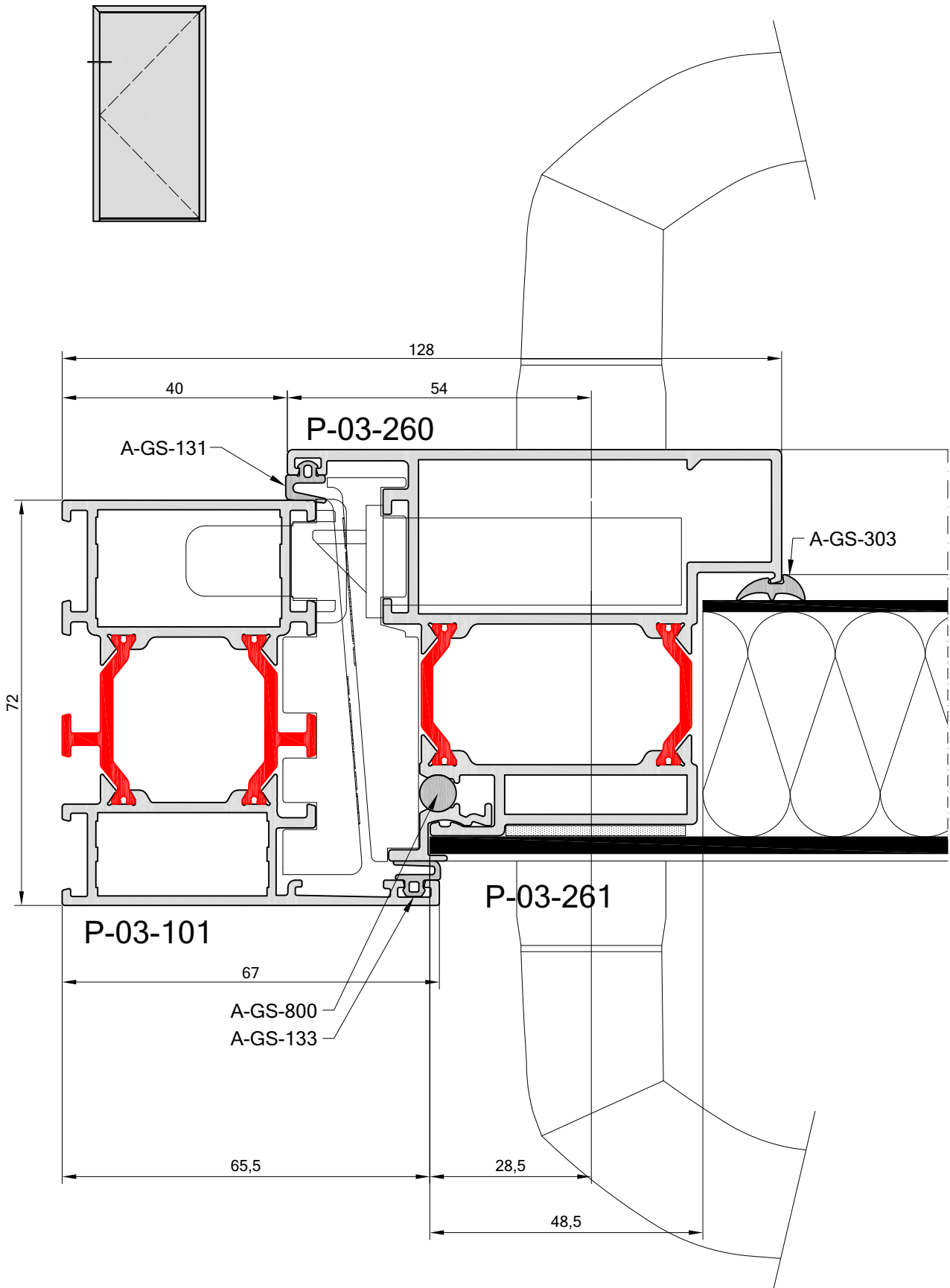
a_door9br2

9c



a_door9cr2

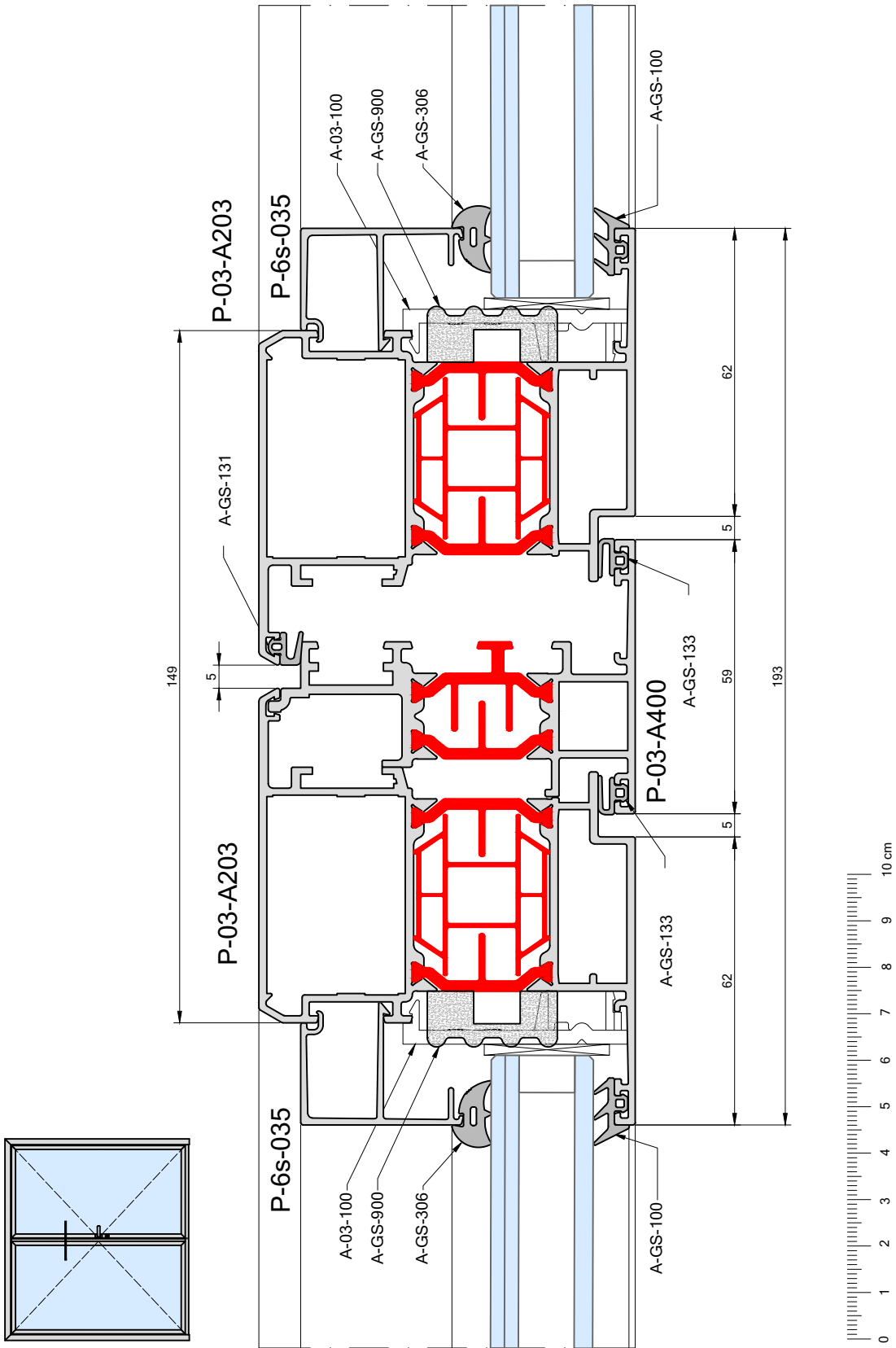
➤ 9d



a door9d

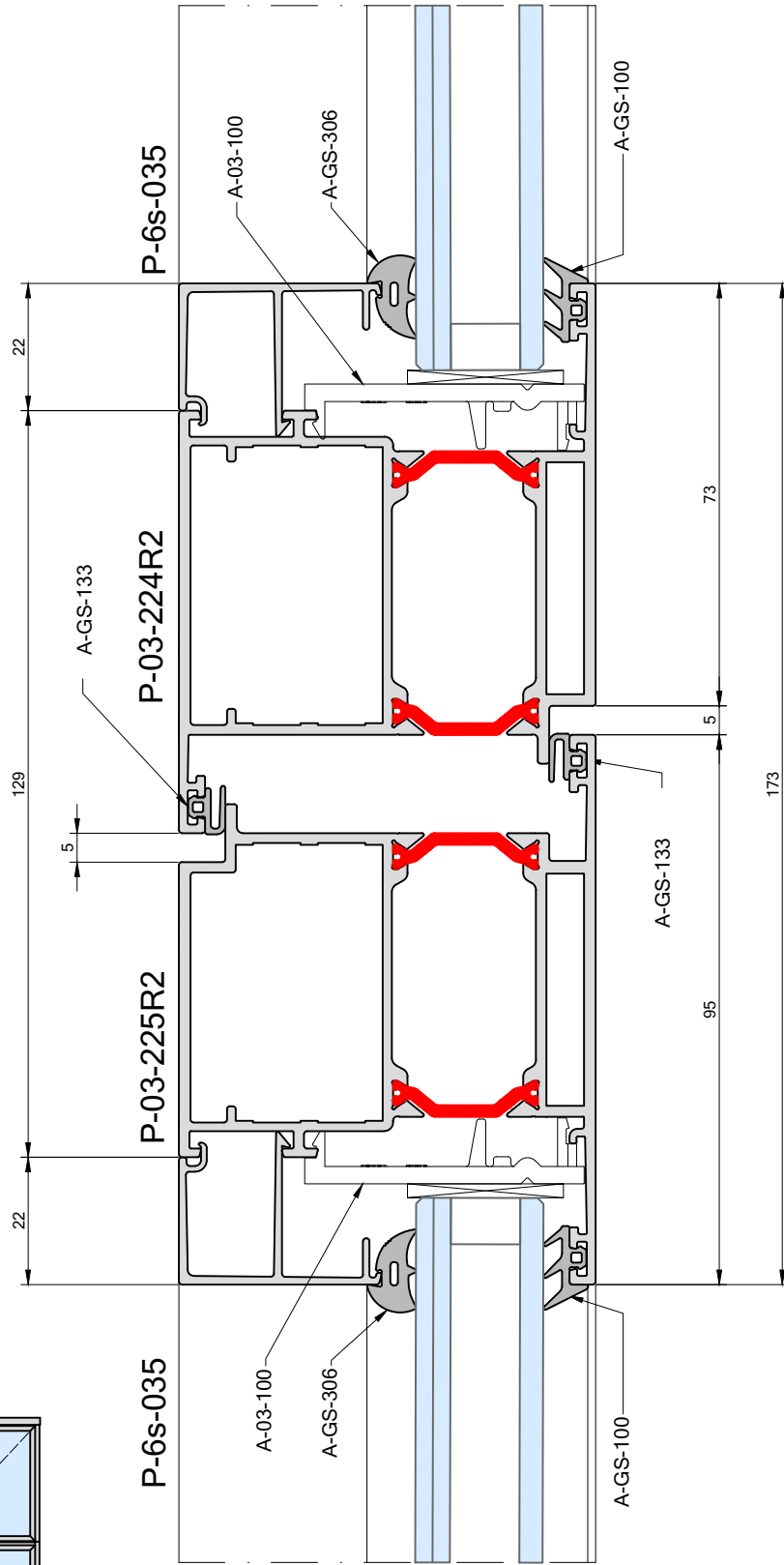
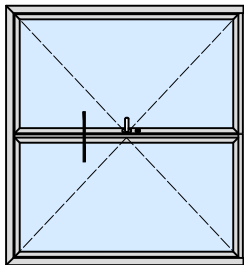
TYPICAL DETAIL

10a



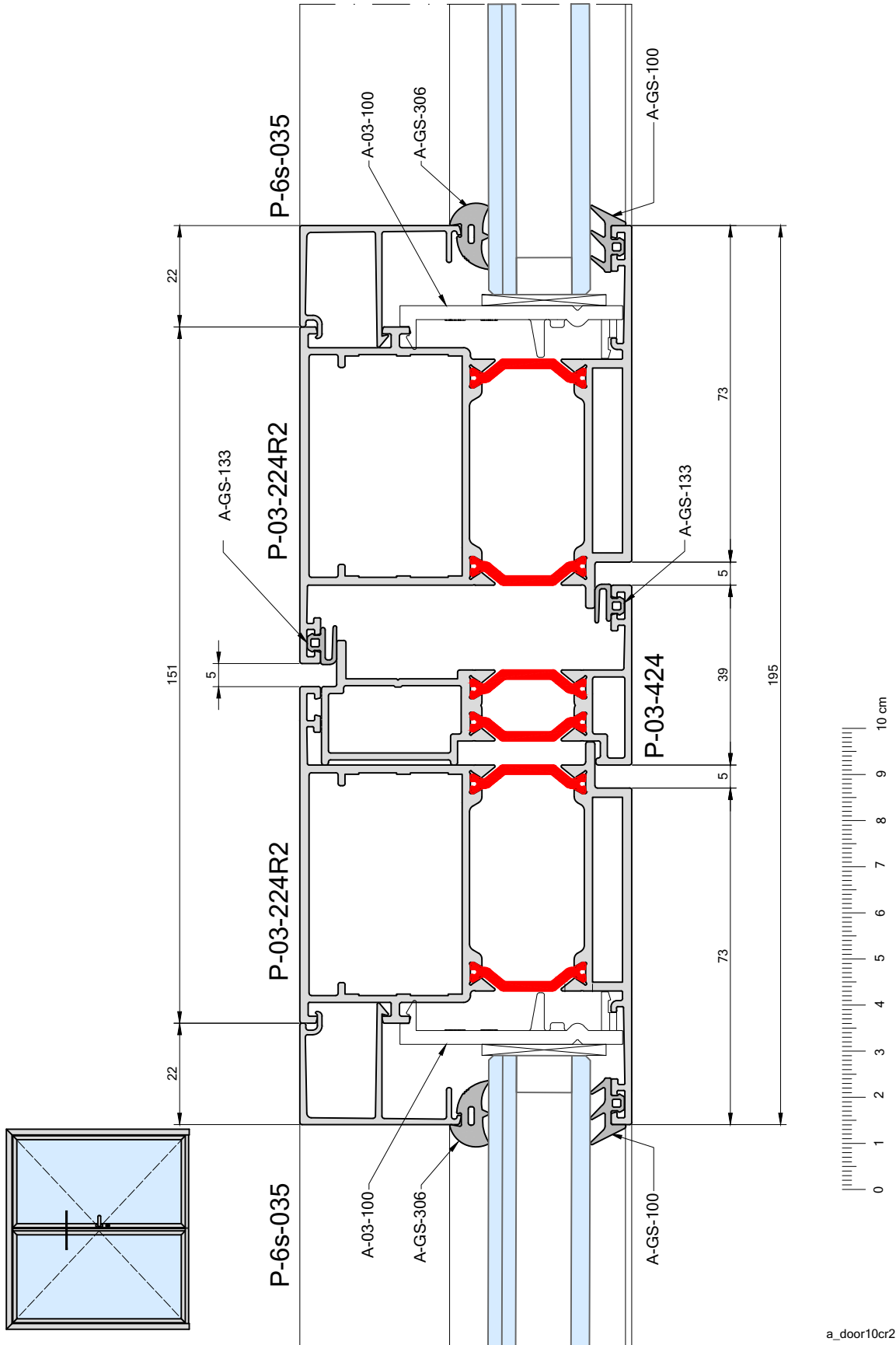
a_door10

> 10b



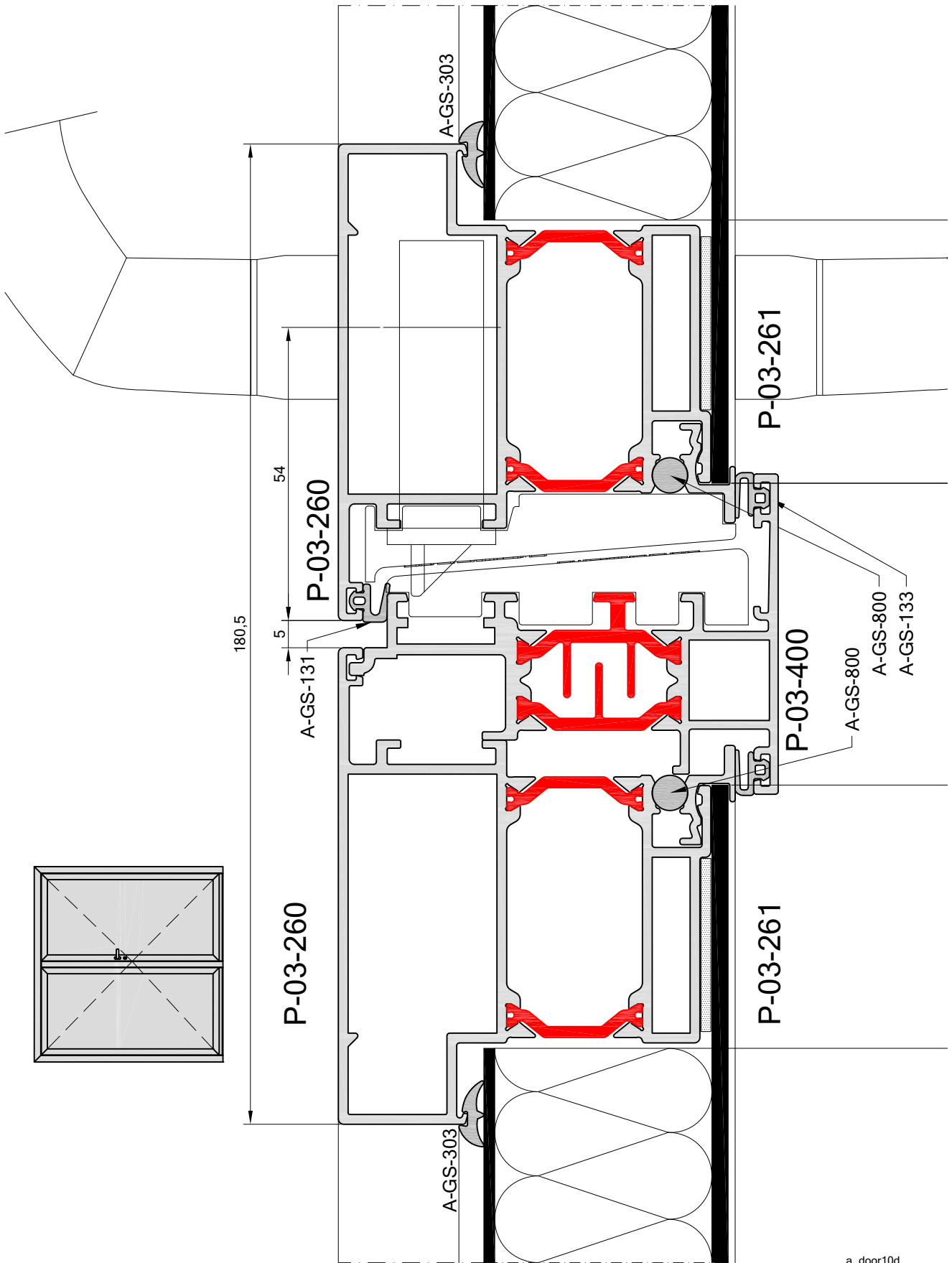
a_door10br2

➤ 10c



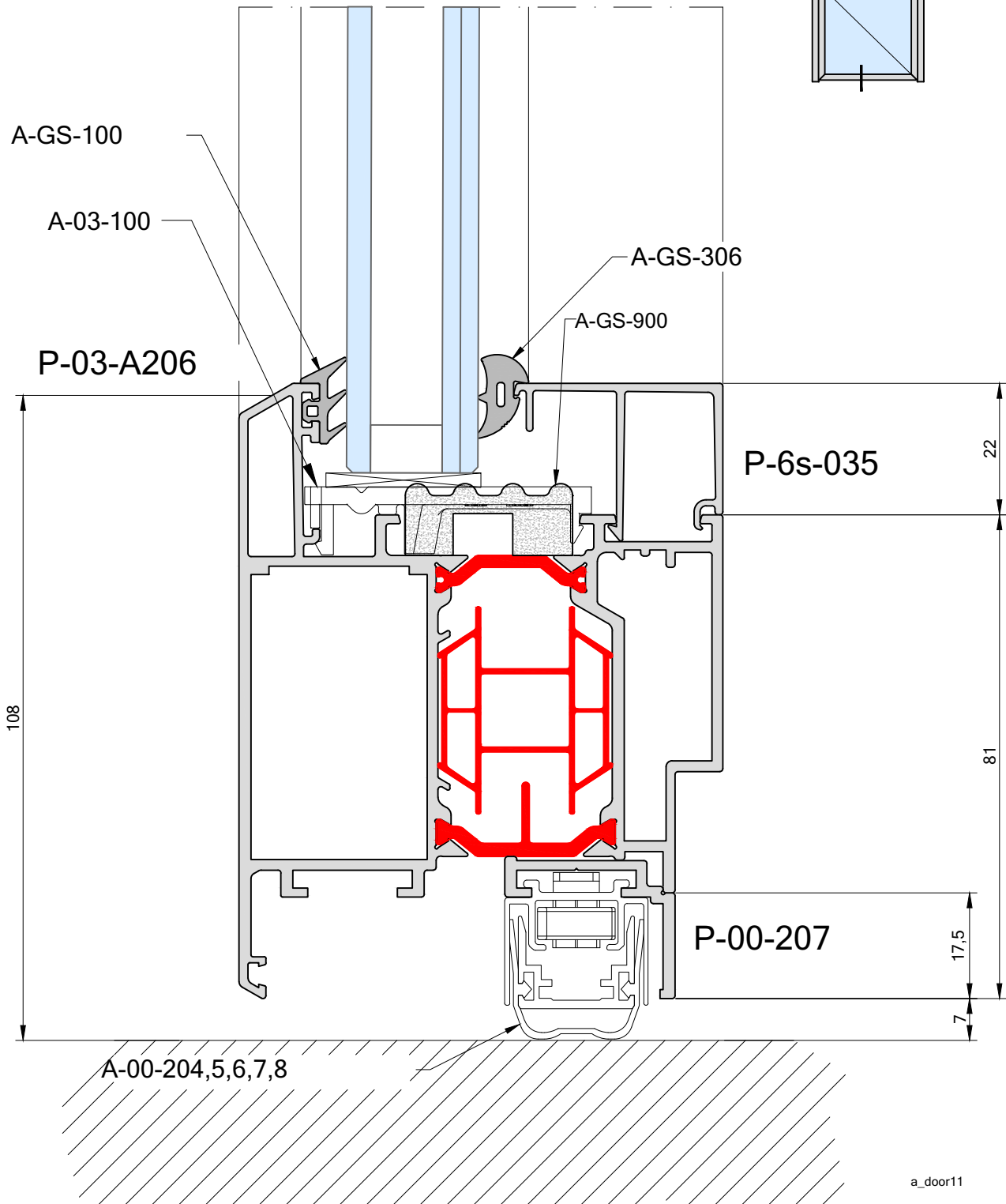
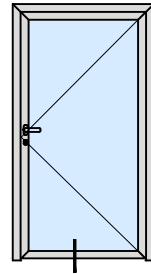
a_door10cr2

➤ 10d

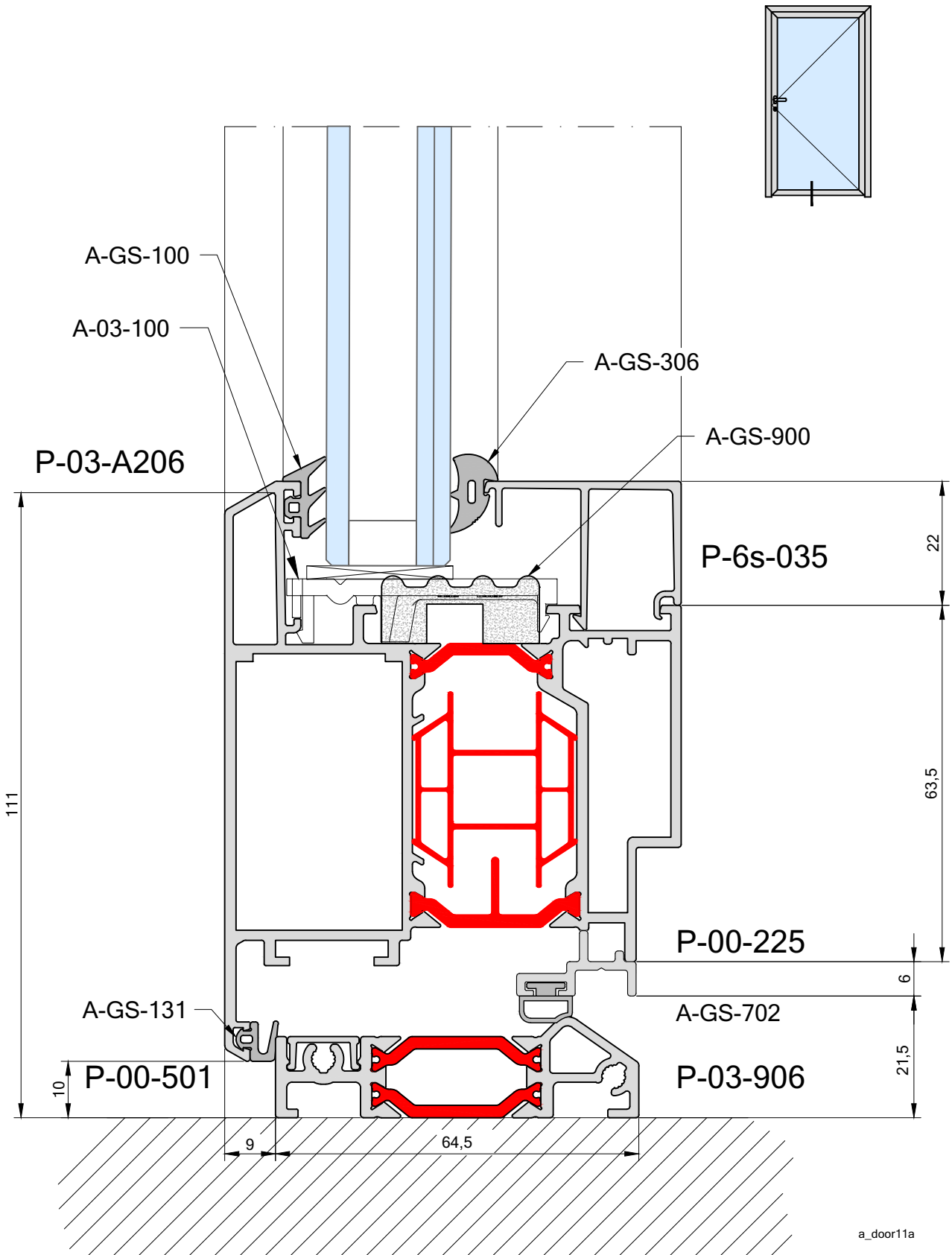


a door10d

› 11a



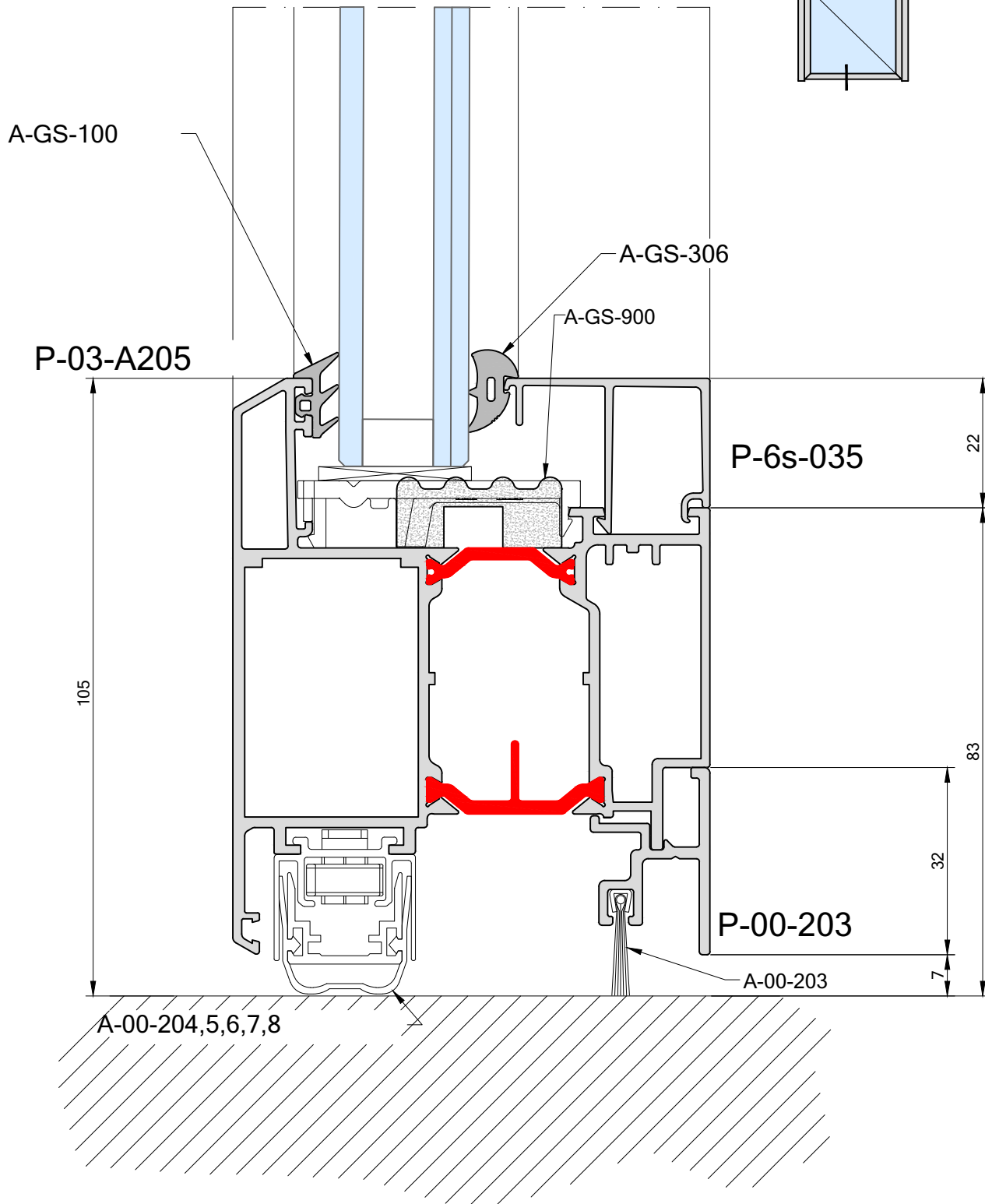
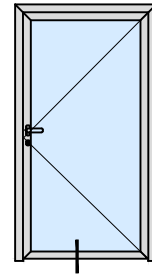
› 11a



a_door11a

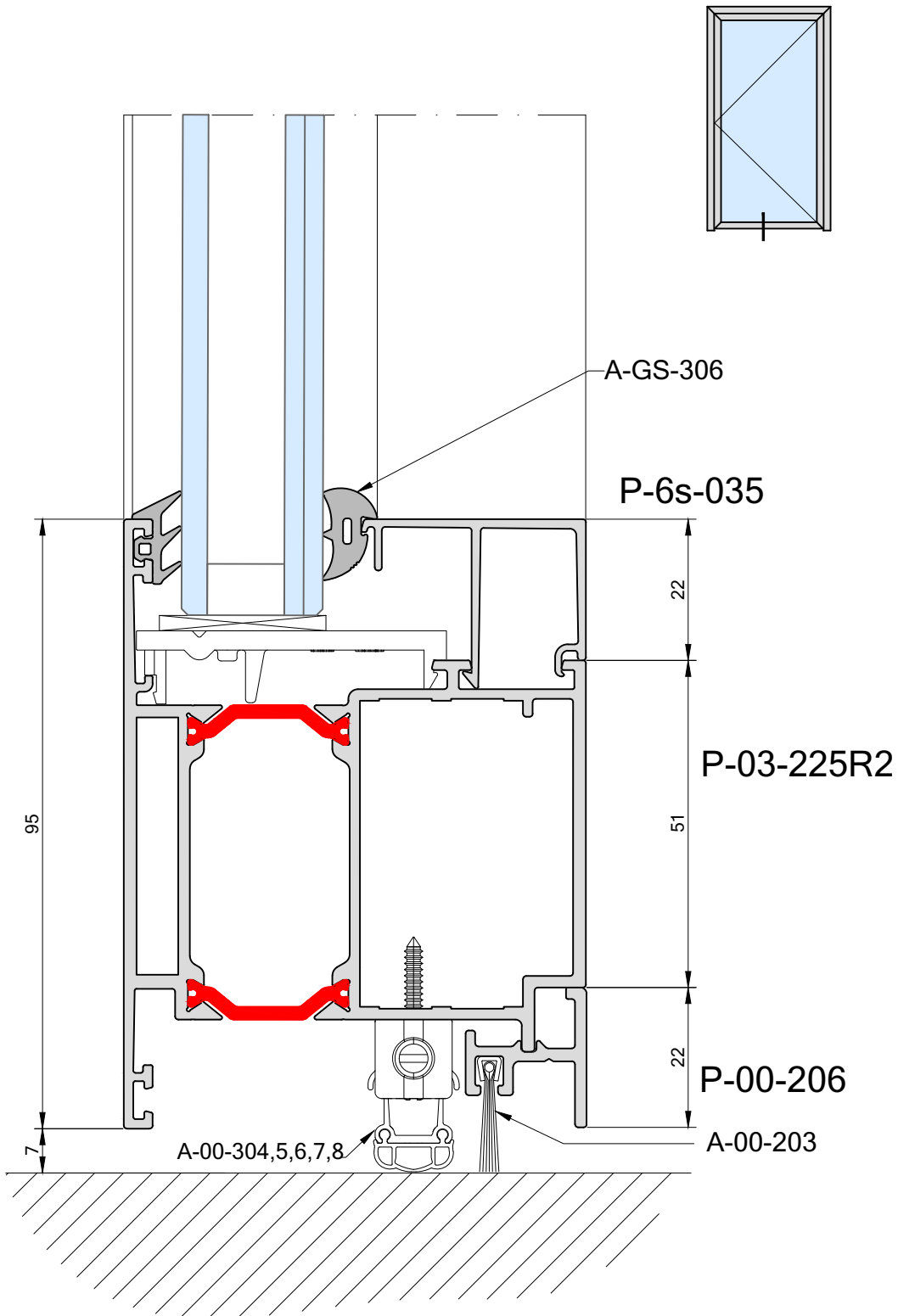
TYPICAL DETAIL

› 11b



a_door11b

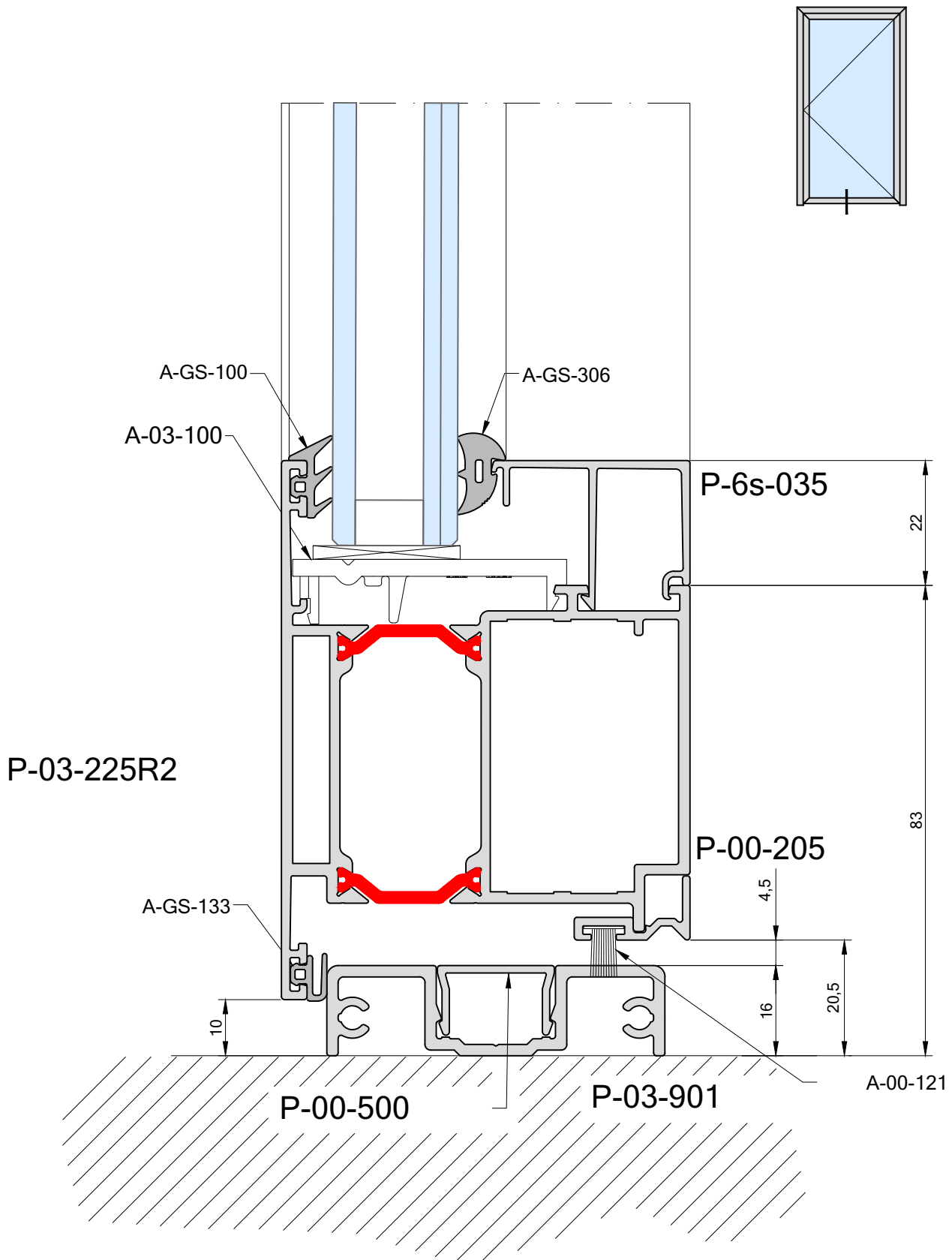
> 11c



TYPICAL DETAIL

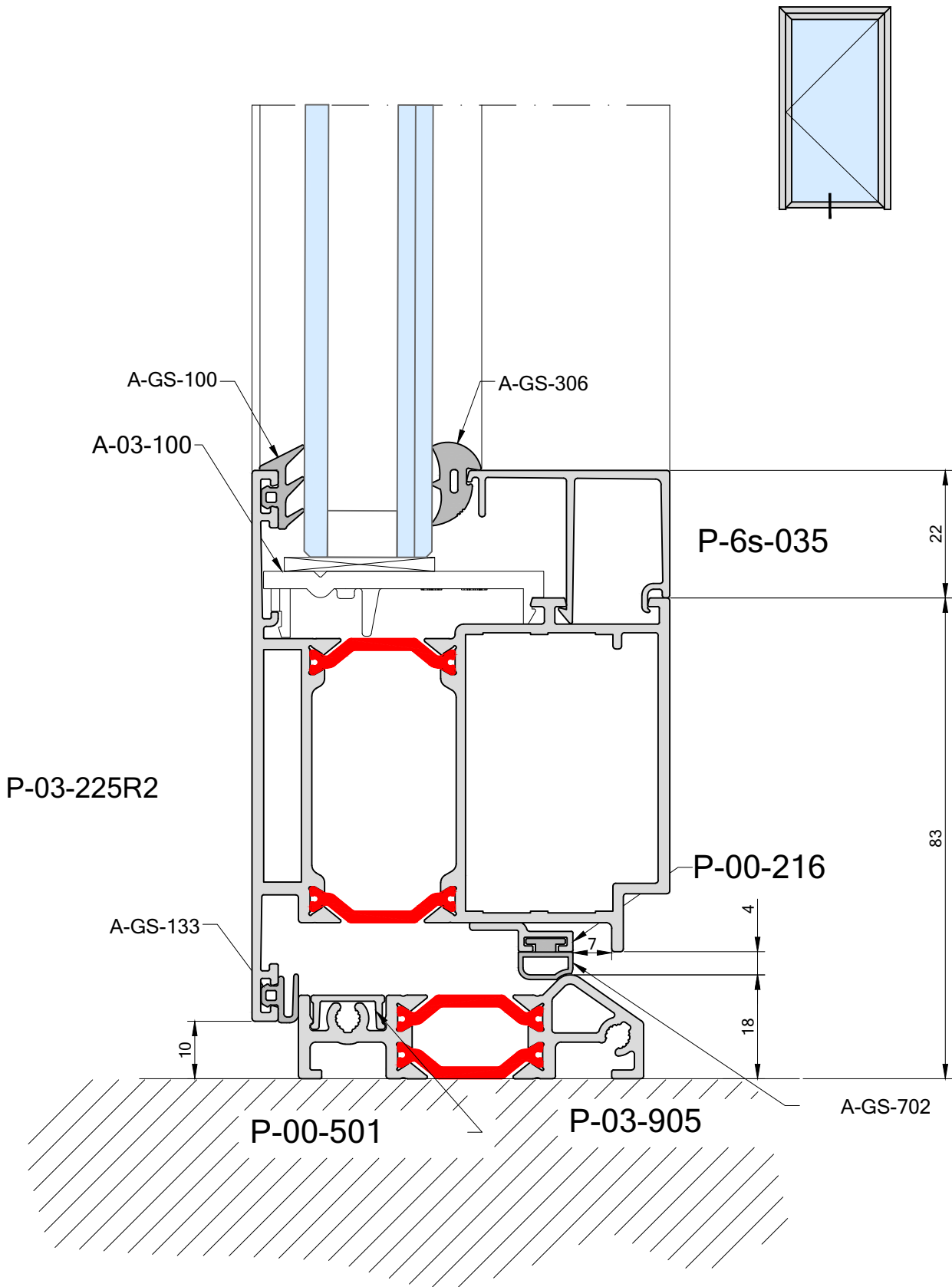
a_door11cr2

› 11d



a_door11dr2

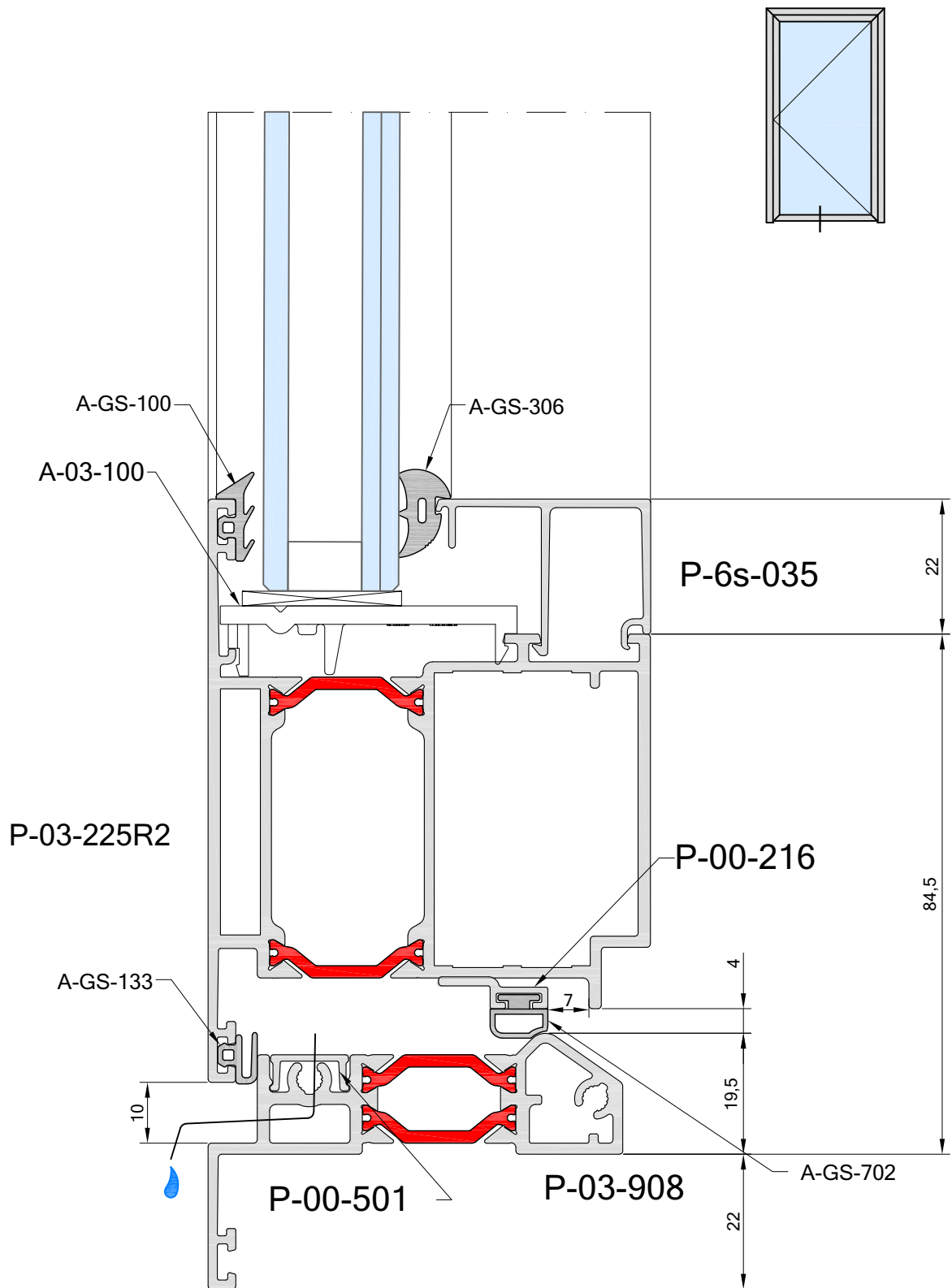
➤ 11d-bis



a_door11d-bisr2

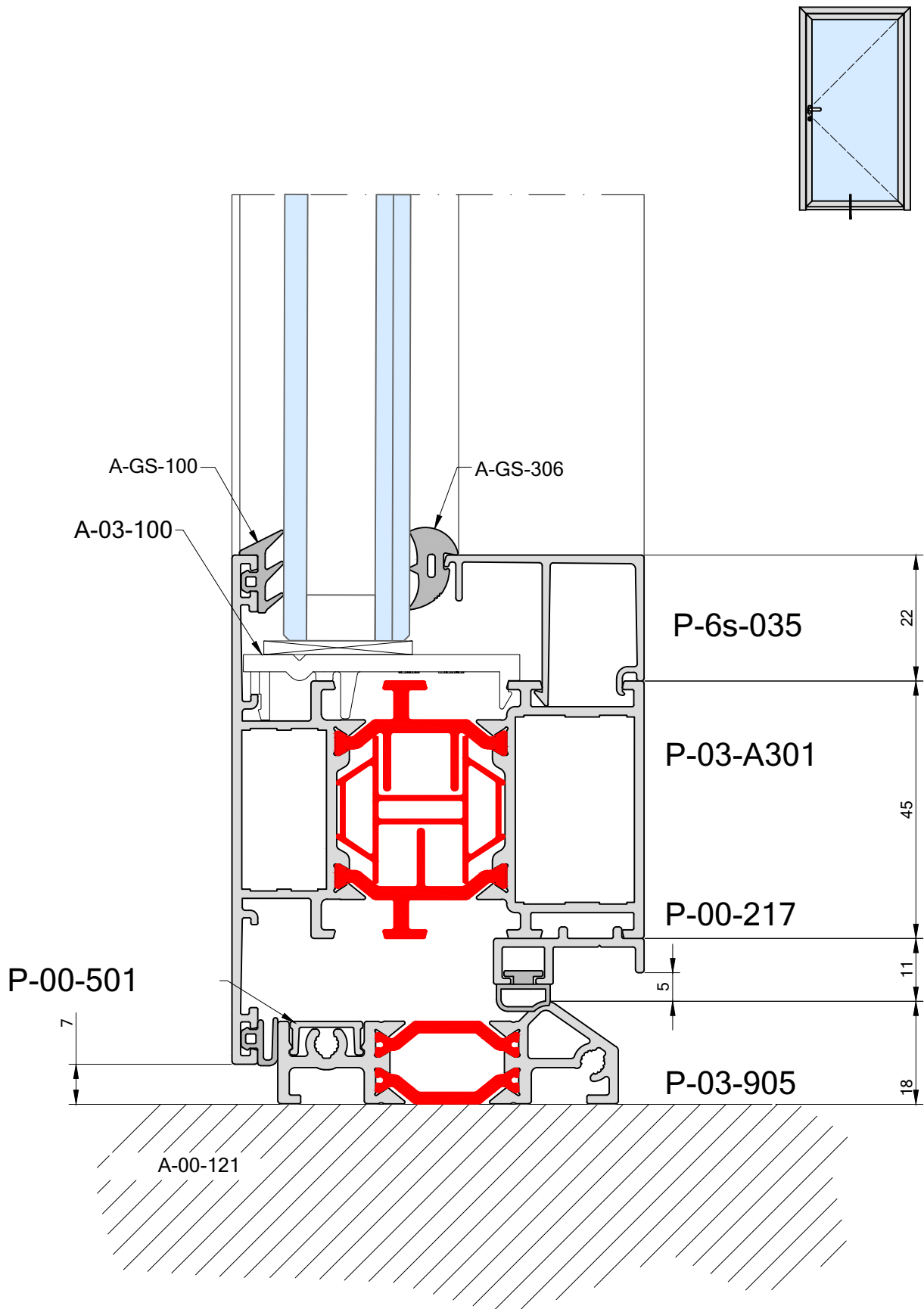
TYPICAL DETAIL

› 11d-bis



a_door11d-bisr2nl

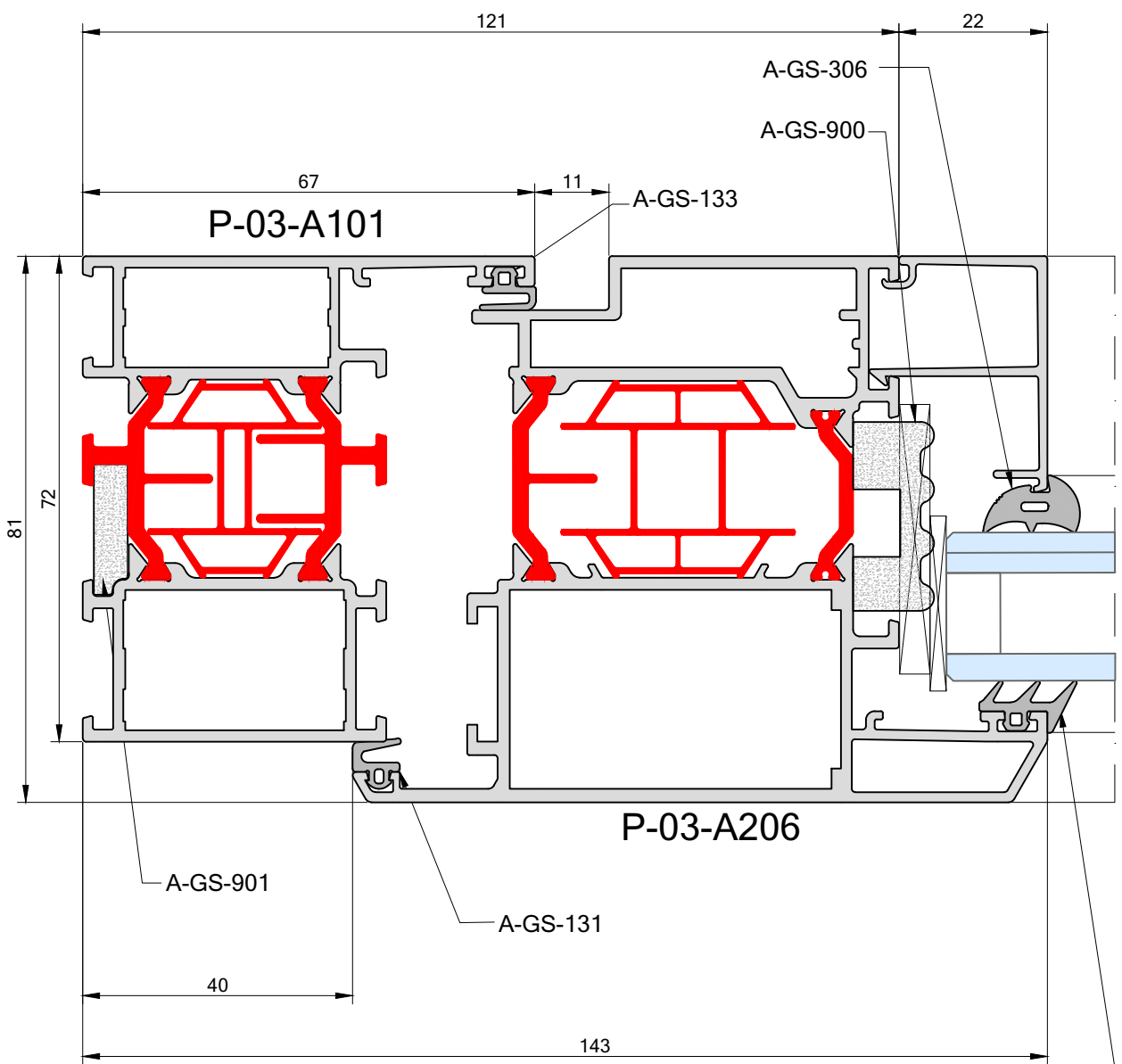
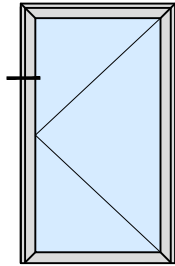
› 11e



a_door11e

TYPICAL DETAIL

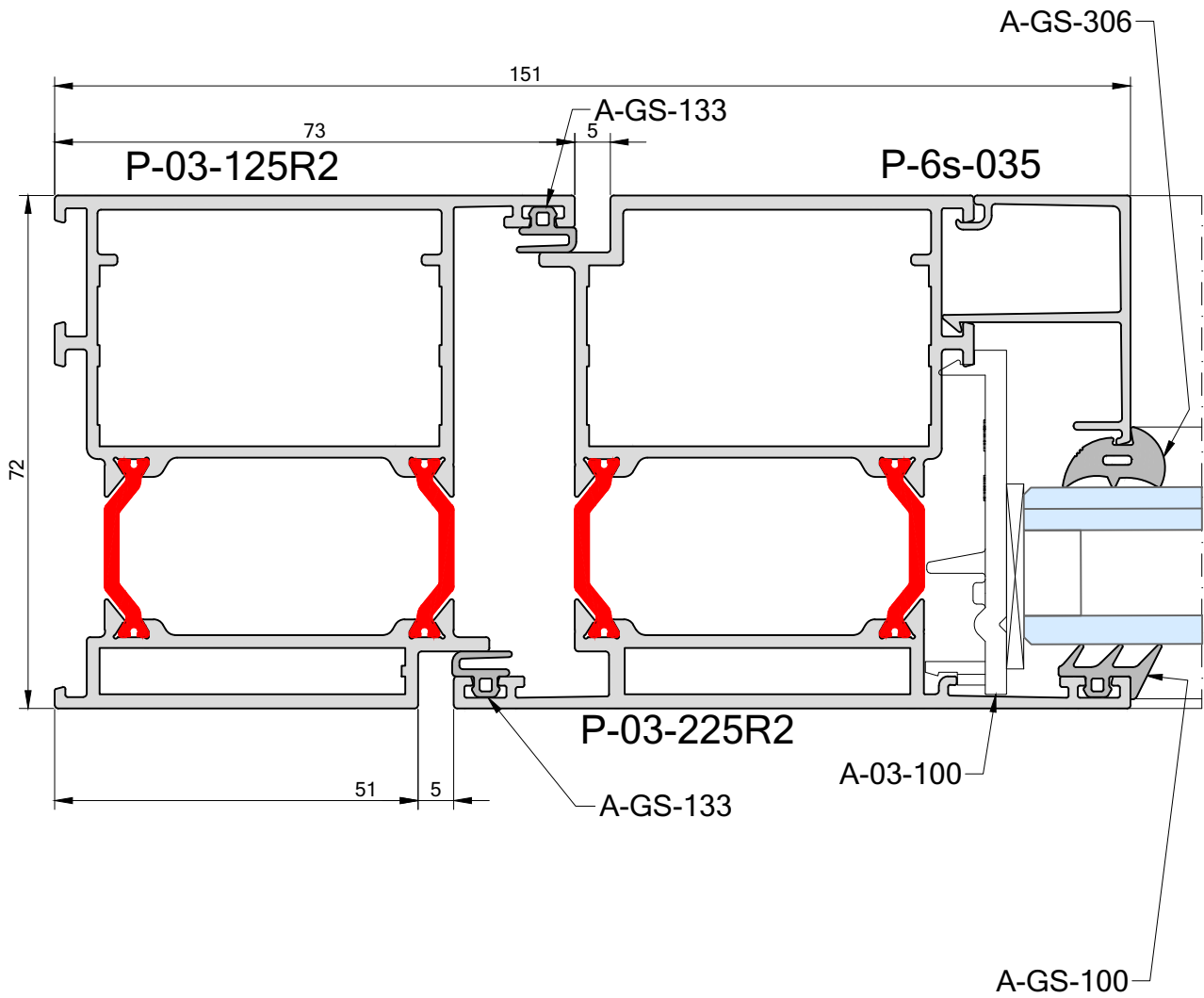
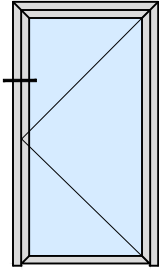
› 12a



A-GS-100

a_door12

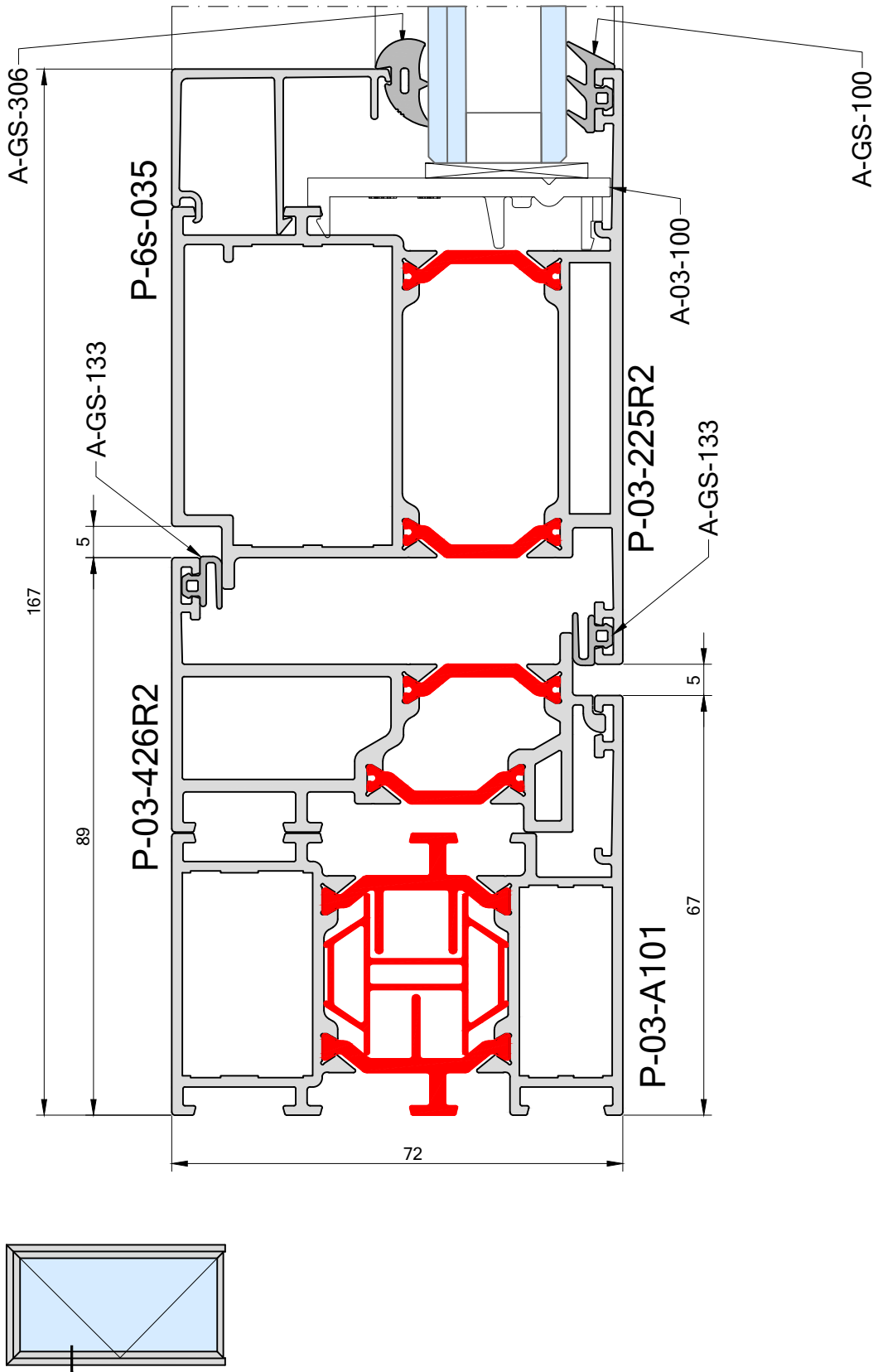
➤ 12b



a_door12br2

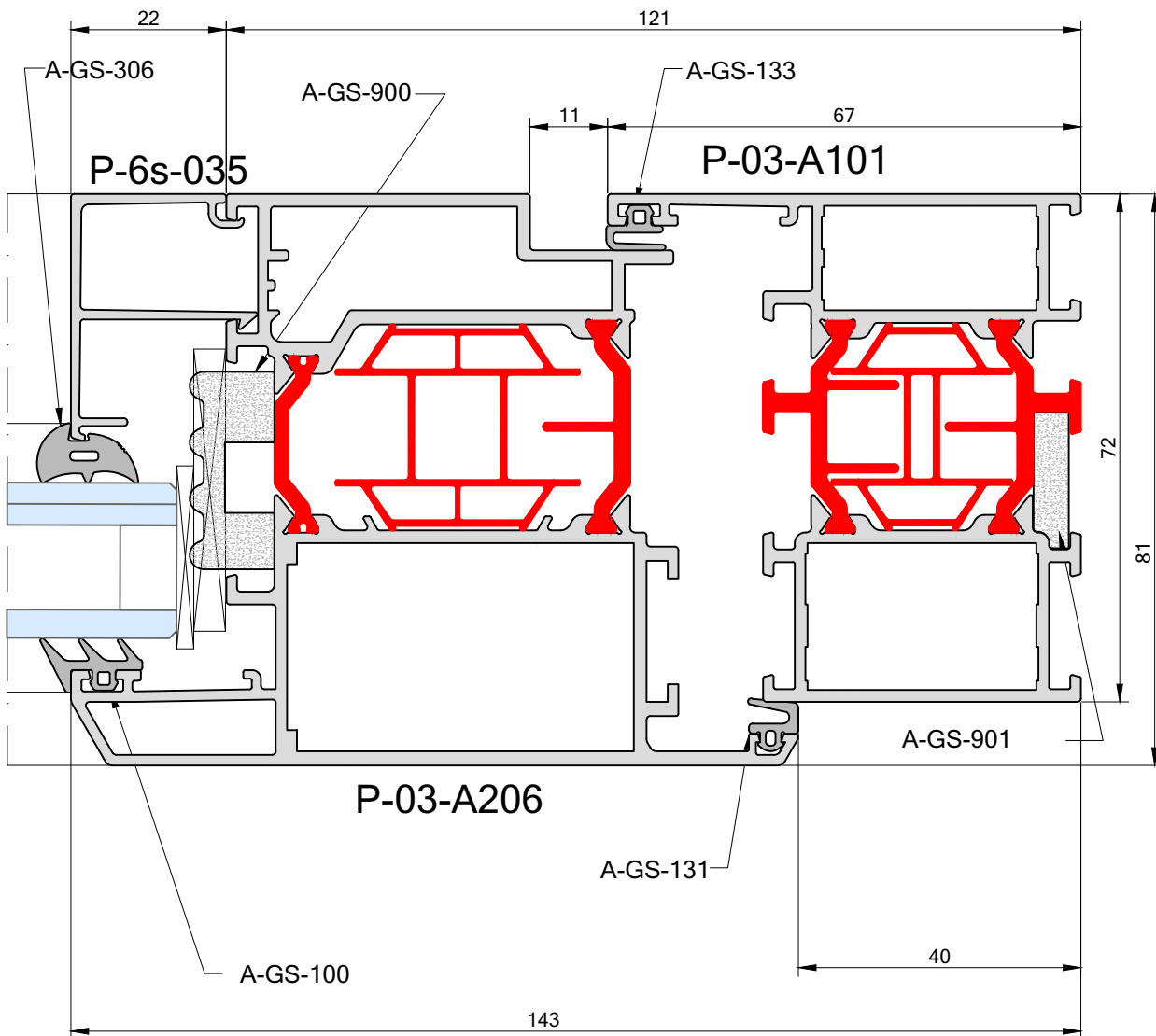
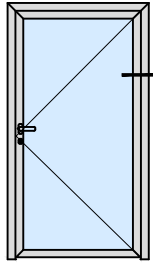
TYPICAL DETAIL

12c



a_door12cr2

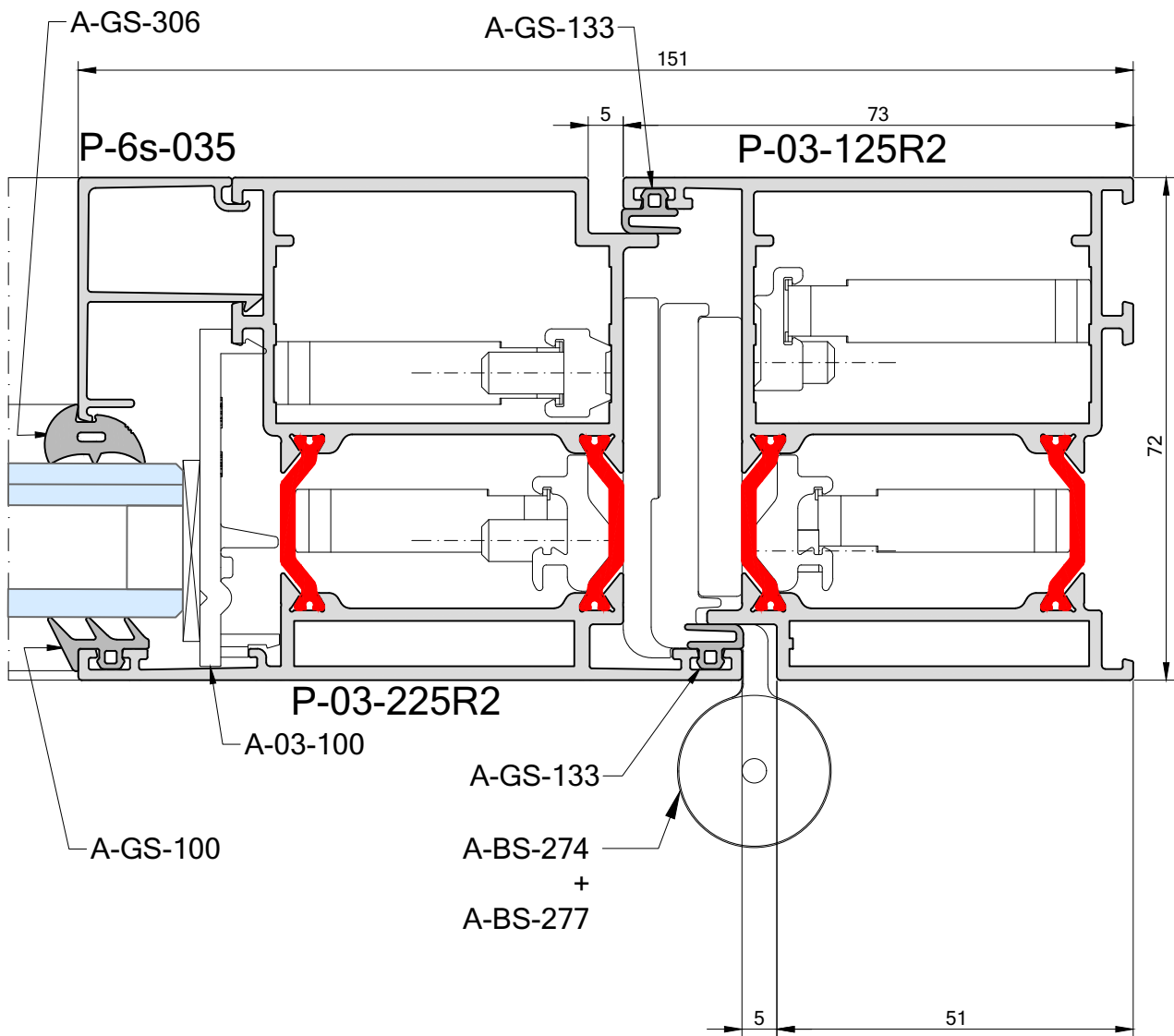
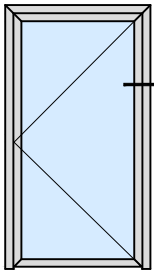
➤ 13a



a_door13

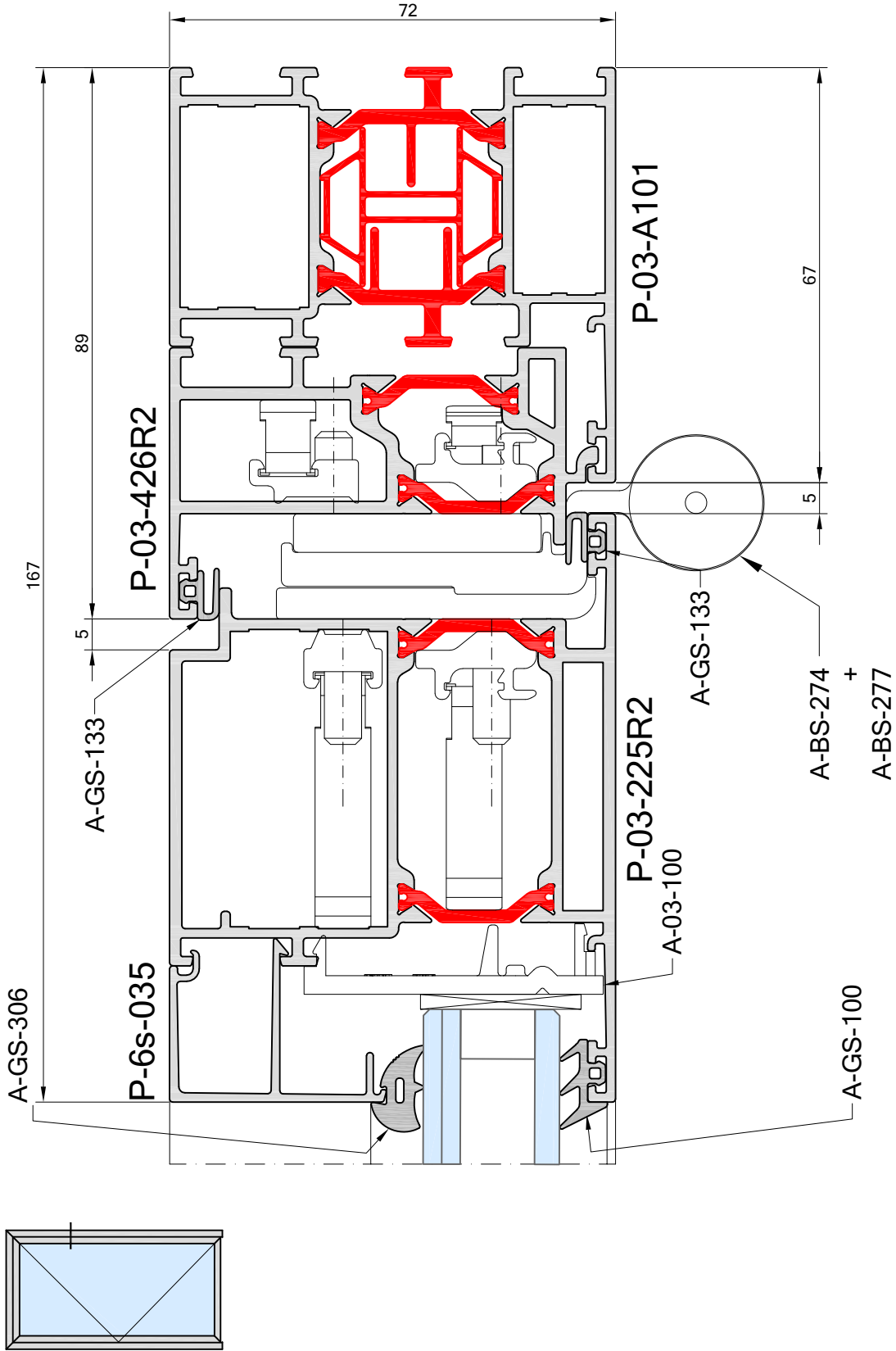
TYPICAL DETAIL

› 13b



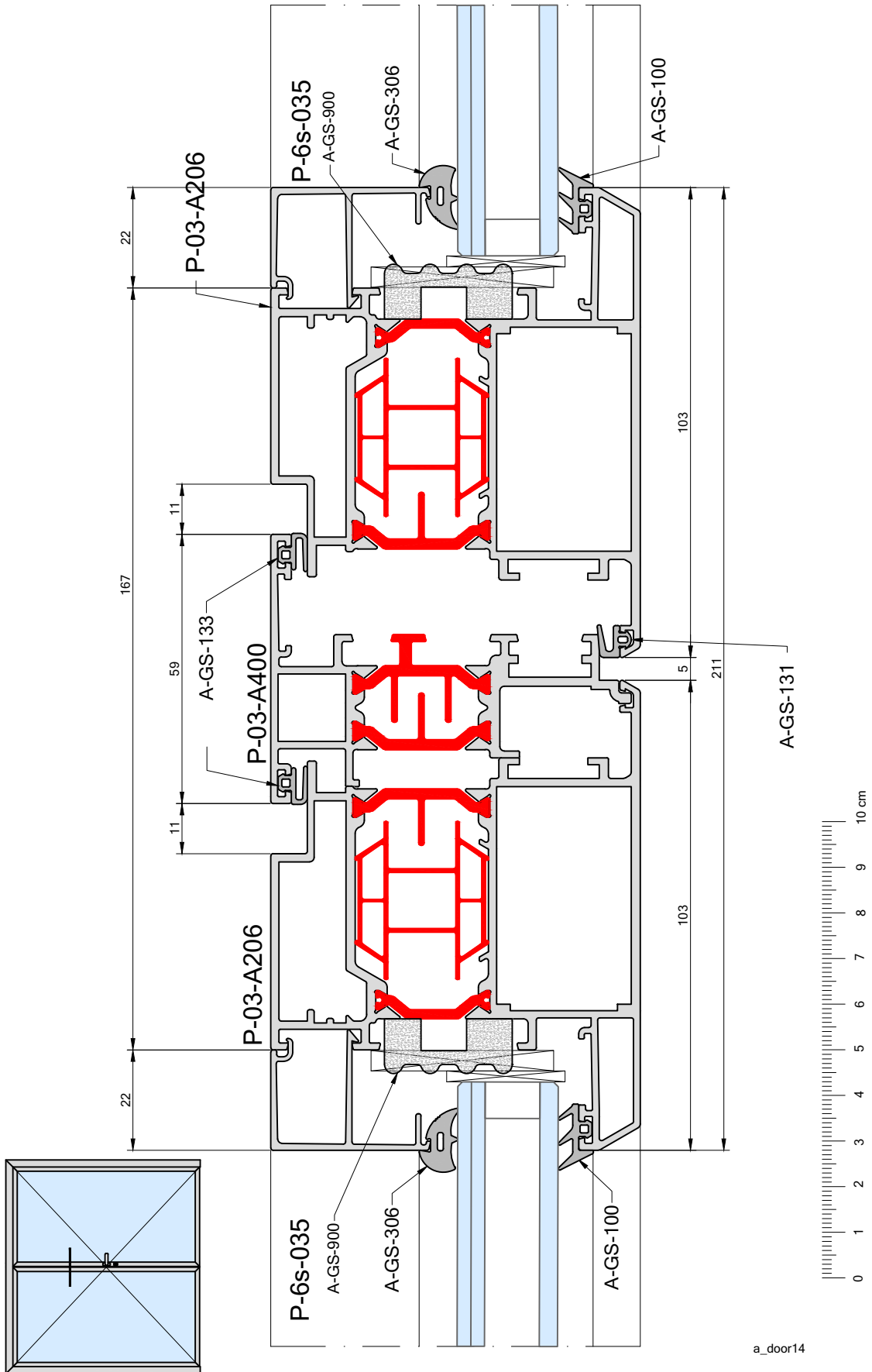
a_door13br2

> 13c

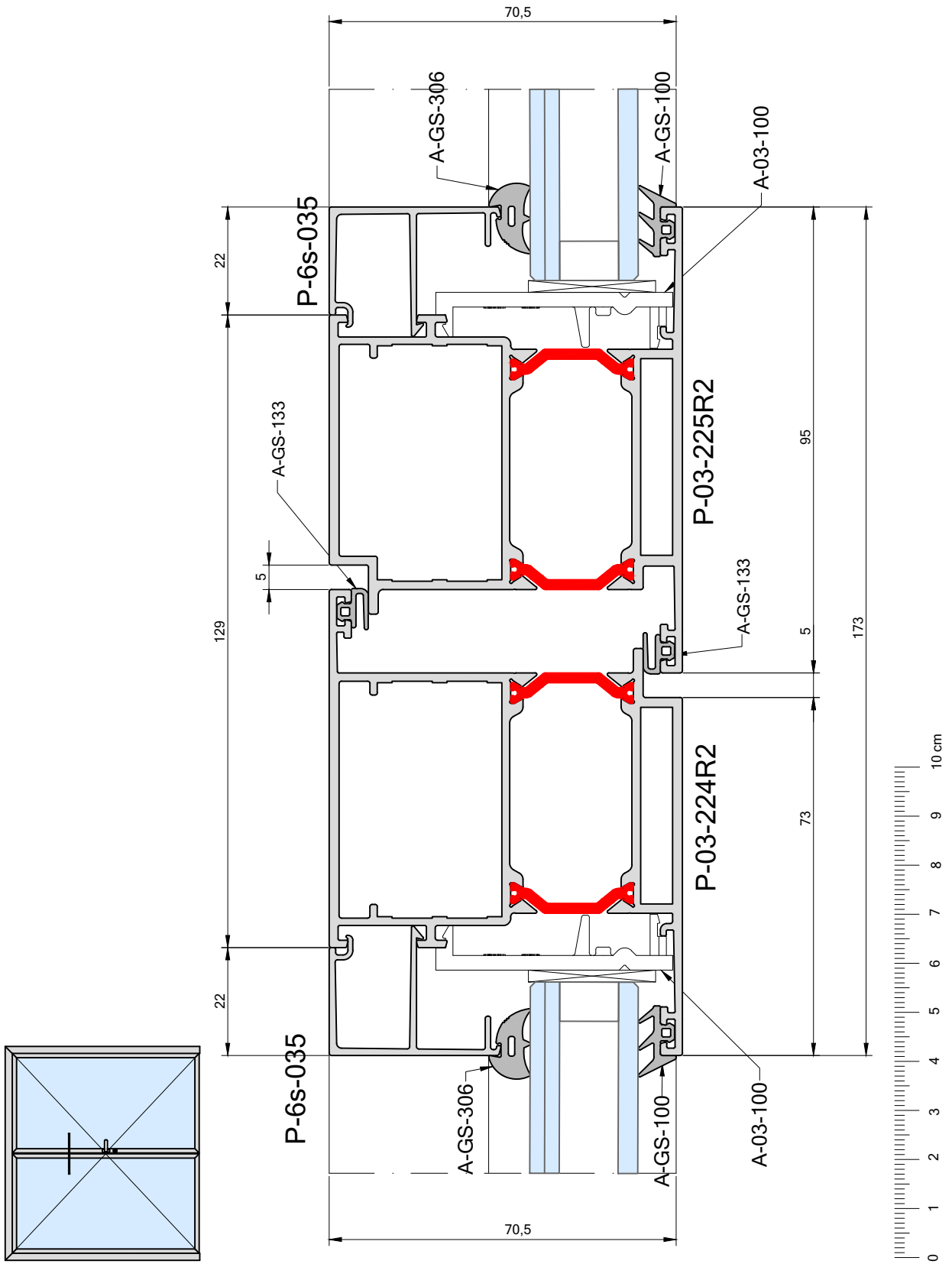


a_door13cr2

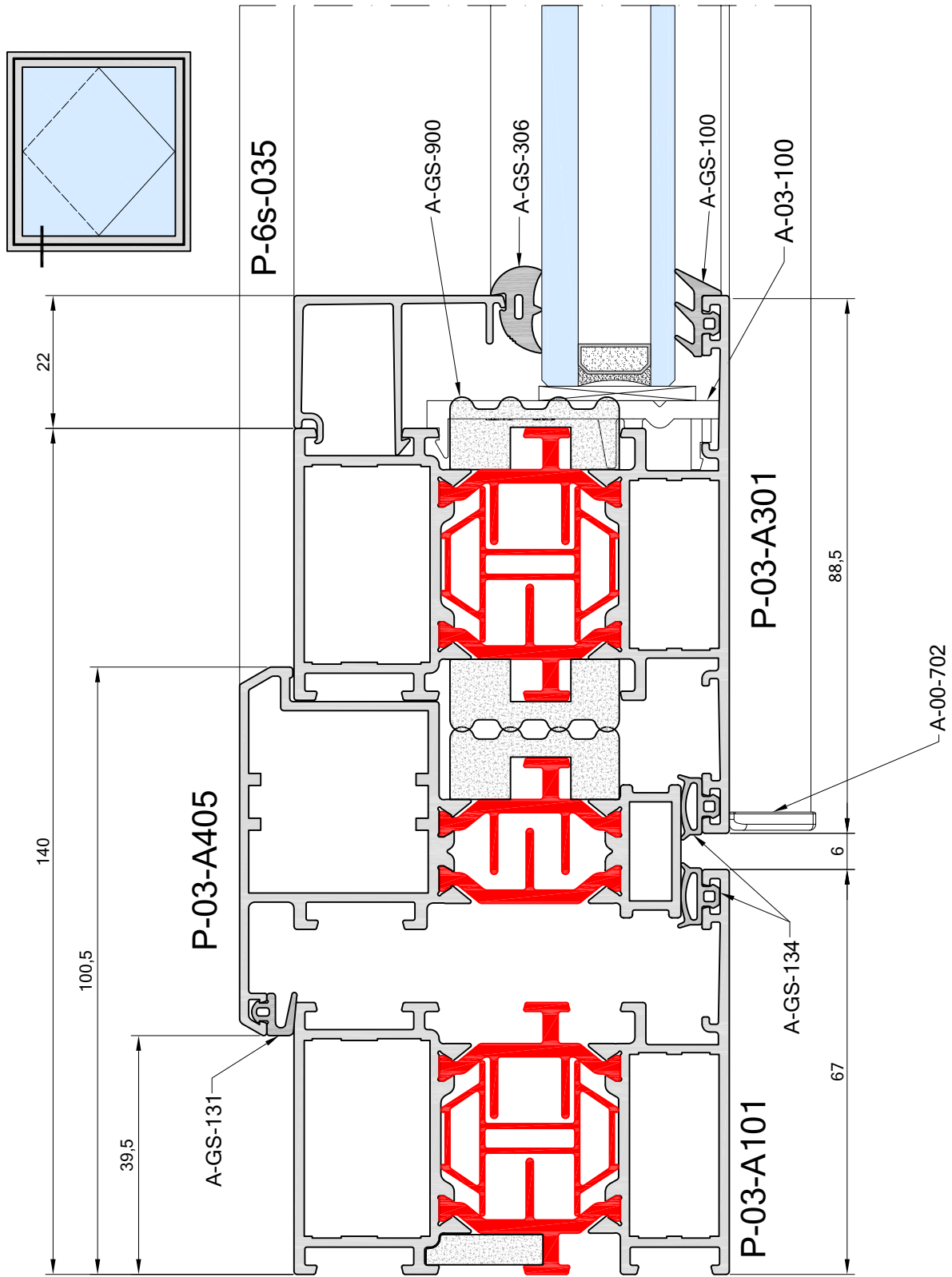
14a



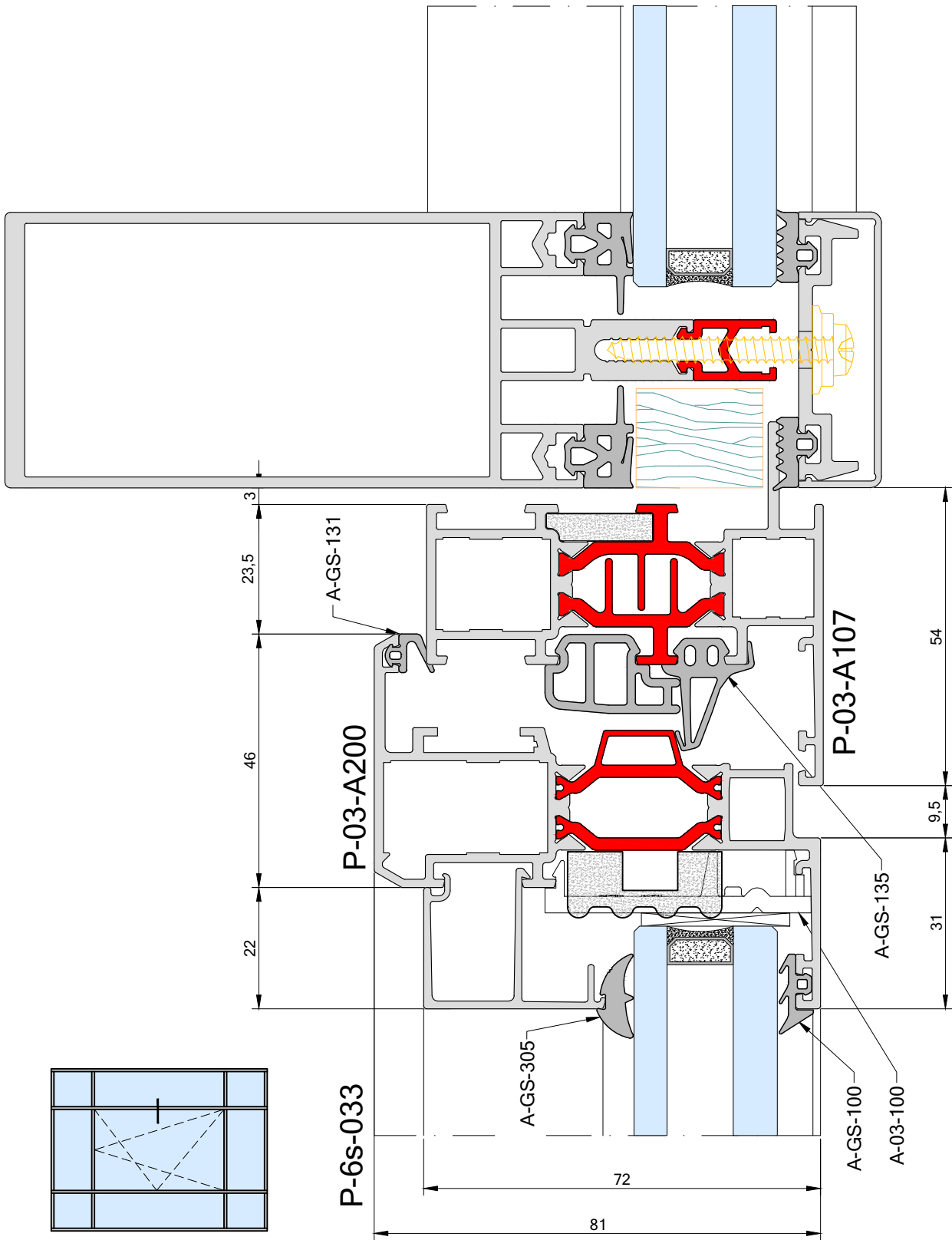
➤ 14b



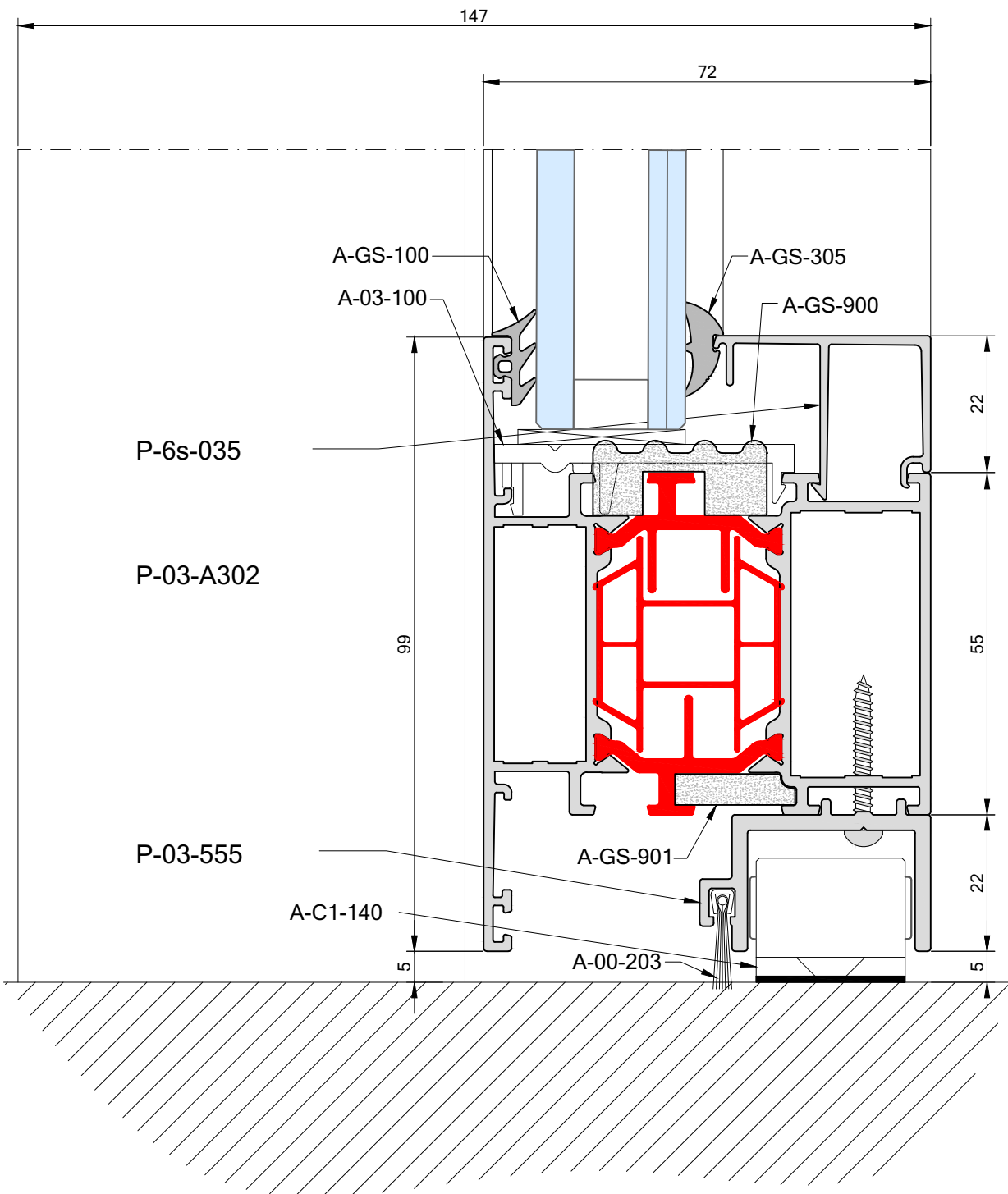
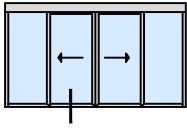
a_door14br2



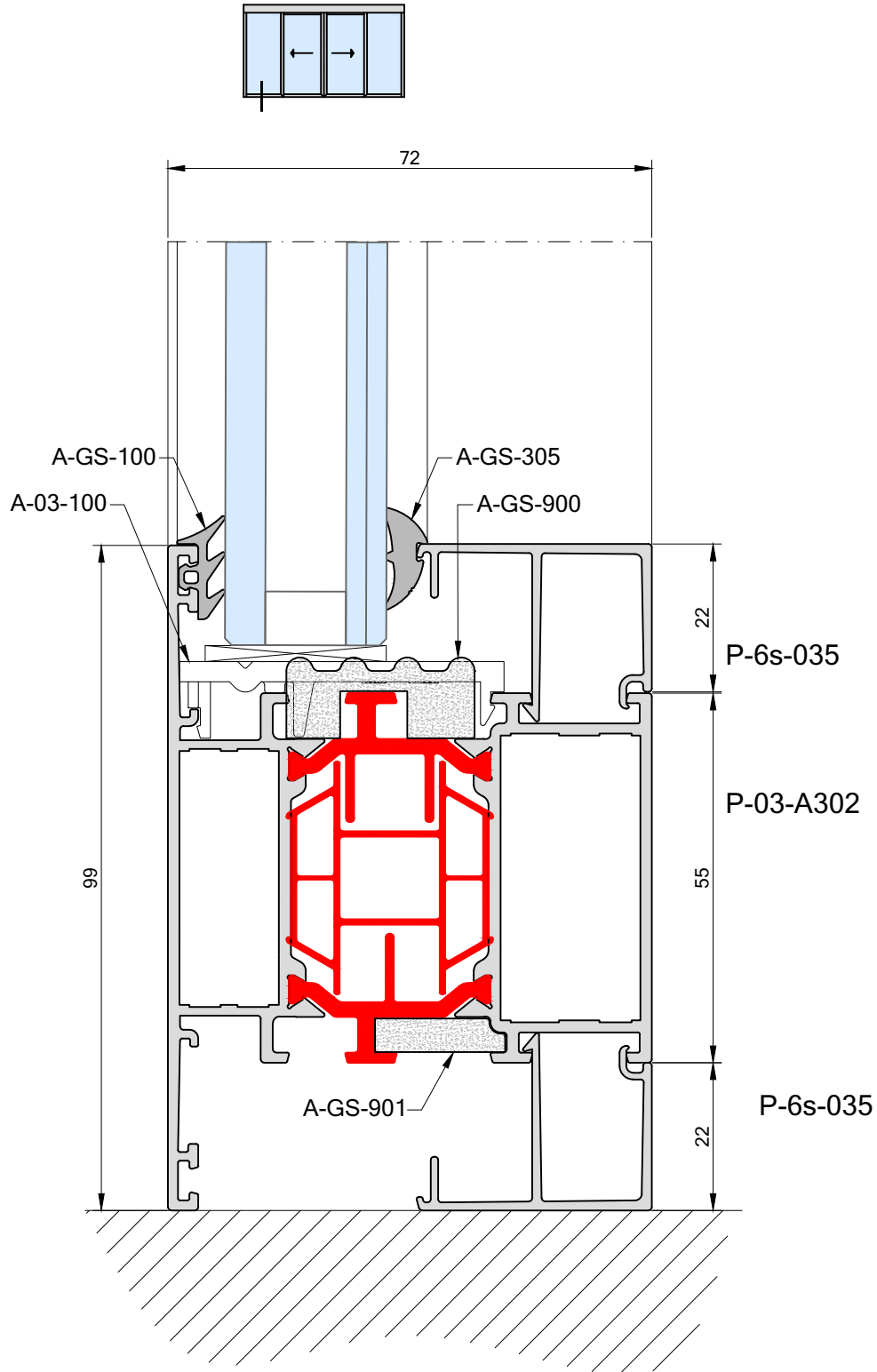
a_door15



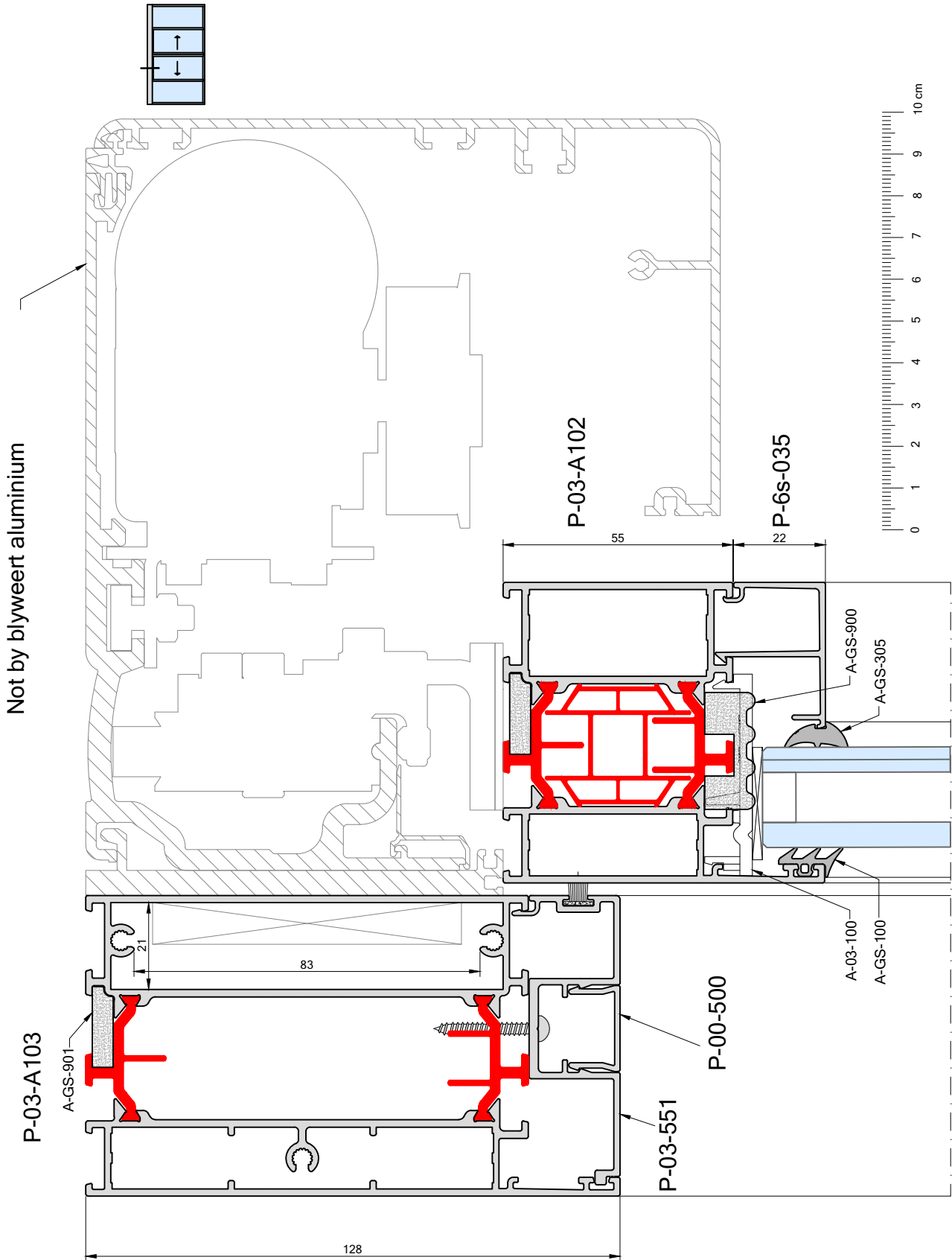
a_door17



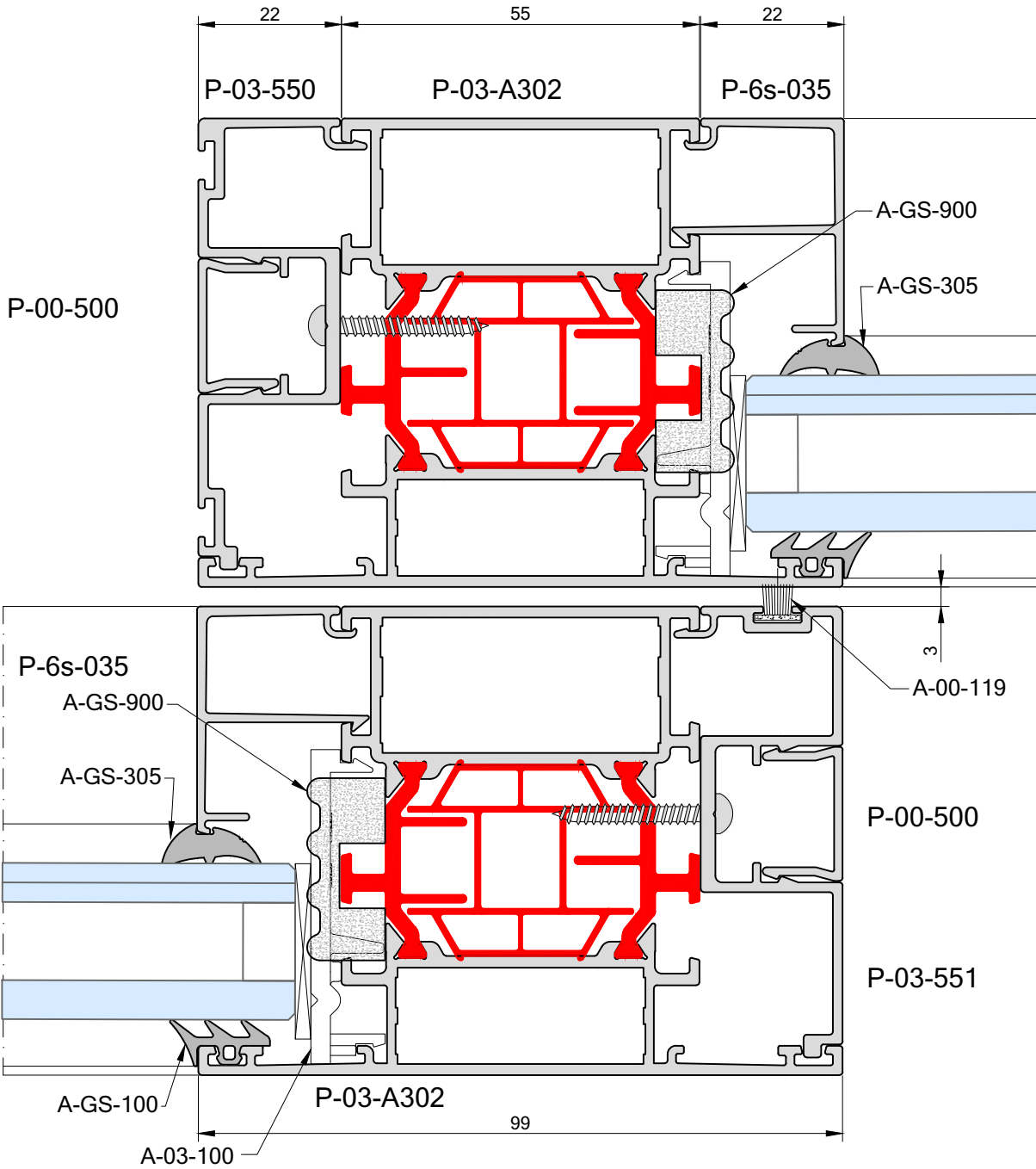
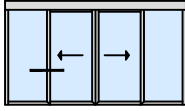
a_door25



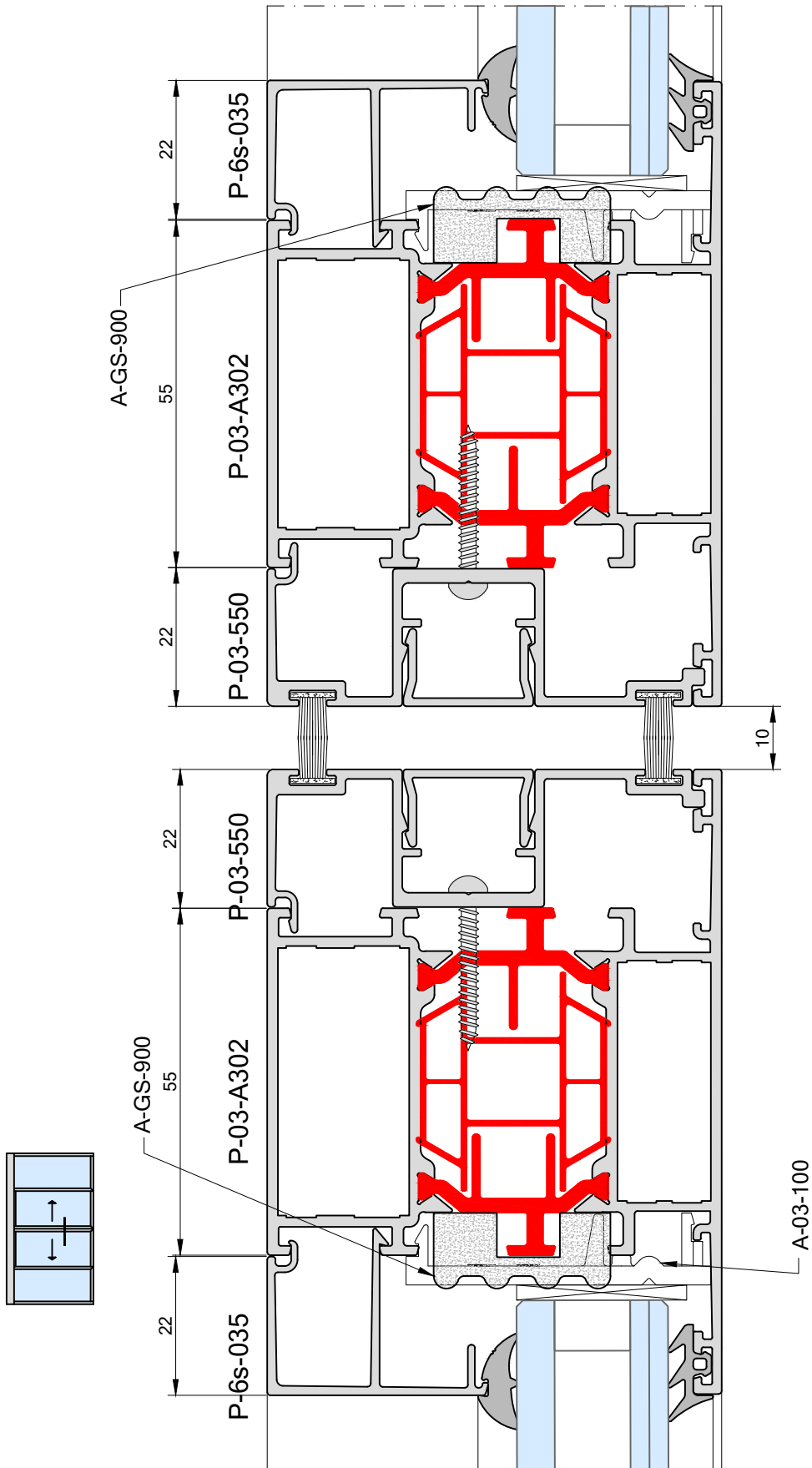
a_door26



a_door27

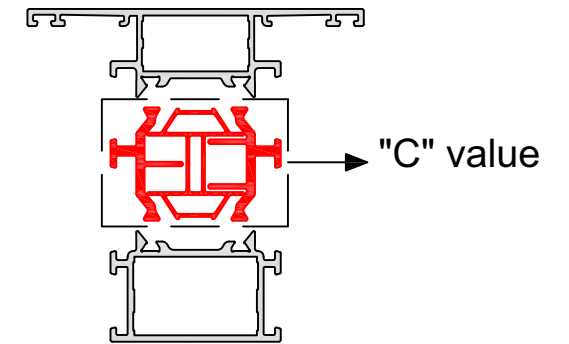


a_door28

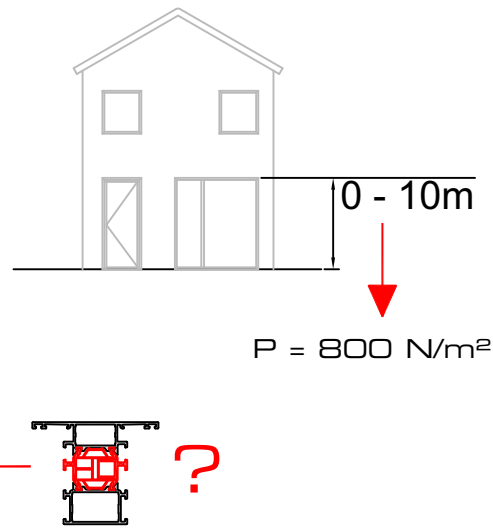
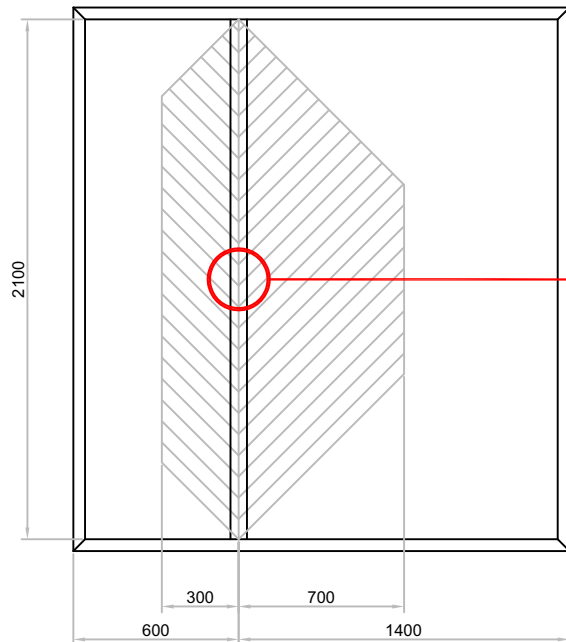


a_door29

Sterkteberekening in functie van "C"-waarde Calcul statique en fonction du valeur "C" Static calculation according to "C" value



Rekenvoorbeeld Exemple de calcul Calculation example



Benodigd traagheidsmoment
Moment d'inertie nécessaire
Required moment of inertia

$$P = 800 \text{ N/m}^2$$

$$f_{max} = L/225 < 12\text{mm}$$

L (mm)	x / y (mm)	300	400	500	600	700	800	900	1000	1100	1200	1300	1400	1500
1000	0,63	0,87	1,02	1,07										
1100	0,84	1,18	1,43	1,55										
1200	1,11	1,57	1,92	2,15	2,22									
1300	1,42	2,02	2,51	2,86	3,04									
1400	1,78	2,56	3,21	3,70	4,01	4,12								
1500	2,20	3,18	4,02	4,69	5,16	5,39								
1600	2,67	3,89	4,95	5,83	6,48	6,89	7,02							
1700	3,22	4,69	6,01	7,13	8,00	8,60	8,91							
1800	3,83	5,60	7,21	8,60	9,73	10,56	11,07	11,25						
1900	4,51	6,62	8,55	10,25	11,67	12,77	13,53	13,91						
2000	5,27	7,75	10,04	12,09	13,84	15,26	16,29	16,93	17,14					
2100	6,11	9,00	11,69	14,13	16,25	18,02	19,38	20,31	20,78					
2200	7,04	10,38	13,52	16,38	18,92	21,08	22,81	24,07	24,84	25,10				
2300	8,05	11,89	15,52	18,86	21,85	24,45	26,59	28,23	29,35	29,91				
2400	9,15	13,54	17,70	21,56	25,06	28,14	30,74	32,81	34,32	35,24				
2500	10,36	15,34	20,08	24,51	28,56	32,17	35,28	37,83	39,78	41,10	41,77			
2600	11,66	17,28	22,66	27,71	32,36	36,55	40,22	43,30	45,74	47,52	48,60	48,96		
2700	13,07	19,38	25,44	31,17	36,48	41,30	45,58	49,24	52,23	54,52	56,06	56,84		
2800	15,12	22,45	29,50	36,19	42,44	48,15	53,27	57,73	61,46	64,42	66,56	67,86	68,30	
2900	17,41	25,86	34,02	41,79	49,08	55,81	61,88	67,24	71,82	75,55	78,39	80,31	81,27	
3000	19,95	29,65	39,04	48,02	56,47	64,32	71,47	77,85	83,38	88,00	91,65	94,29	95,89	96,43

$$I_x = 9.00 \text{ cm}^4 + 18.02 \text{ cm}^4 = 27.02 \text{ cm}^4$$

Traagheidsmomenten in functie van "C"-waarde
Moments d'inertie en fonction du valeur "C"
Moments of inertia according to "C" value

	1000	1100	1200	1300	1400	1500	1600	1700	1800	1900	2000	2100	2200	2300	2400	2500	2600	2700	2800	2900	3000
P-03-A300	13,35	14,49	15,70	16,83	17,84	18,83	19,75	20,57	21,42	22,17	22,87	23,50	24,13	24,71	25,22	25,64	26,16	26,58	26,97	27,38	27,68
P-03-A301	15,15	16,59	18,08	19,39	20,85	22,12	23,37	24,54	25,63	26,67	27,63	28,48	29,40	30,15	30,94	31,67	32,29	32,88	33,48	33,94	34,51
P-03-A302	16,17	17,71	19,31	20,70	22,25	23,61	24,95	26,20	27,36	28,47	29,50	30,41	31,38	32,19	33,03	33,80	34,47	35,10	35,74	36,23	36,84
P-03-A303	20,99	23,09	24,82	26,87	28,72	30,86	32,54	34,42	36,21	37,99	39,66	41,35	42,87	44,50	45,83	47,23	48,54	49,75	51,02	52,05	53,26
P-03-A304	25,23	27,75	29,84	32,29	34,52	37,09	39,11	41,37	43,52	45,66	47,67	49,70	51,53	53,48	55,09	56,76	58,35	59,79	61,32	62,57	64,02
P-03-A305	47,07	49,89	52,57	55,07	57,59	59,78	62,05	64,02	65,95	67,78	69,33	70,61	72,25	73,43	74,76	75,78	76,93	78,14	78,81	79,55	80,43
P-03-A306	51,41	54,49	57,23	60,15	62,81	65,29	67,99	70,43	72,68	75,06	76,89	78,66	80,62	82,26	83,91	85,34	86,81	88,42	89,36	90,48	91,60
P-03-A310	13,81	15,12	16,34	17,54	18,69	19,75	20,81	21,68	22,68	23,48	24,33	25,14	25,76	26,52	27,01	27,55	28,09	28,59	29,03	29,42	29,85
P-03-A311	15,50	16,98	18,50	19,84	21,33	22,64	23,91	25,12	26,23	27,29	28,28	29,15	30,08	30,85	31,66	32,40	33,04	33,64	34,25	34,73	35,32
P-03-A312	16,48	18,13	19,58	21,09	22,60	24,06	25,44	26,70	28,06	29,17	30,44	31,48	32,58	33,62	34,49	35,27	36,20	36,91	37,72	38,56	39,07
P-03-A315	47,82	50,69	53,41	55,95	58,51	60,73	63,04	65,04	67,00	68,86	70,44	71,73	73,40	74,60	75,95	76,99	78,16	79,38	80,06	80,82	81,71
P-03-A320	17,60	19,27	20,82	22,35	23,81	25,16	26,51	27,63	28,90	29,91	30,99	32,03	32,82	33,79	34,41	35,11	35,79	36,43	36,99	37,48	38,04

L > 3000mm
gebruik Ix -> "profilen"
utilise Ix -> "profilés"
use Ix -> "profiles"

Benodigd traagheidsmoment
Moment d'inertie nécessaire
Required moment of inertia

$P = 800 \text{ N/m}^2$

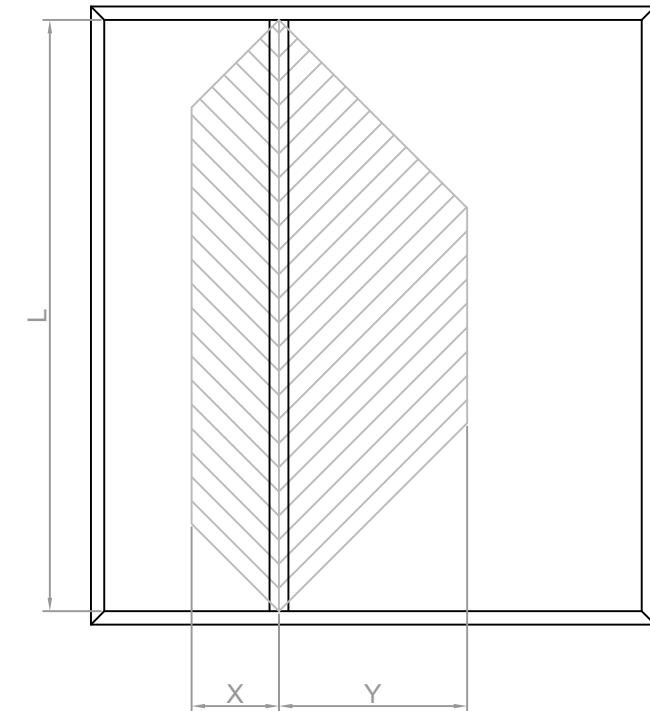
$f_{max} = L/225 < 12\text{mm}$

L (mm)	x / y (mm)													
	200	300	400	500	600	700	800	900	1000	1100	1200	1300	1400	1500
1000	0,63	0,87	1,02	1,07										
1100	0,84	1,18	1,43	1,55										
1200	1,11	1,57	1,92	2,15	2,22									
1300	1,42	2,02	2,51	2,86	3,04									
1400	1,78	2,56	3,21	3,70	4,01	4,12								
1500	2,20	3,18	4,02	4,69	5,16	5,39								
1600	2,67	3,89	4,95	5,83	6,48	6,89	7,02							
1700	3,22	4,69	6,01	7,13	8,00	8,60	8,91							
1800	3,83	5,60	7,21	8,60	9,73	10,56	11,07	11,25						
1900	4,51	6,62	8,55	10,25	11,67	12,77	13,53	13,91						
2000	5,27	7,75	10,04	12,09	13,84	15,26	16,29	16,93	17,14					
2100	6,11	9,00	11,69	14,13	16,25	18,02	19,38	20,31	20,78					
2200	7,04	10,38	13,52	16,38	18,92	21,08	22,81	24,07	24,84	25,10				
2300	8,05	11,89	15,52	18,86	21,85	24,45	26,59	28,23	29,35	29,91				
2400	9,15	13,54	17,70	21,56	25,06	28,14	30,74	32,81	34,32	35,24	35,55			
2500	10,36	15,34	20,08	24,51	28,56	32,17	35,28	37,83	39,78	41,10	41,77			
2600	11,66	17,28	22,66	27,71	32,36	36,55	40,22	43,30	45,74	47,52	48,60	48,96		
2700	13,07	19,38	25,44	31,17	36,48	41,30	45,58	49,24	52,23	54,52	56,06	56,84		
2800	15,12	22,45	29,50	36,19	42,44	48,15	53,27	57,73	61,46	64,42	66,56	67,86	68,30	
2900	17,41	25,86	34,02	41,79	49,08	55,81	61,88	67,24	71,82	75,55	78,39	80,31	81,27	
3000	19,95	29,65	39,04	48,02	56,47	64,32	71,47	77,85	83,38	88,00	91,65	94,29	95,89	96,43

$P = 1200 \text{ N/m}^2$

$f_{max} = L/225 < 12\text{mm}$

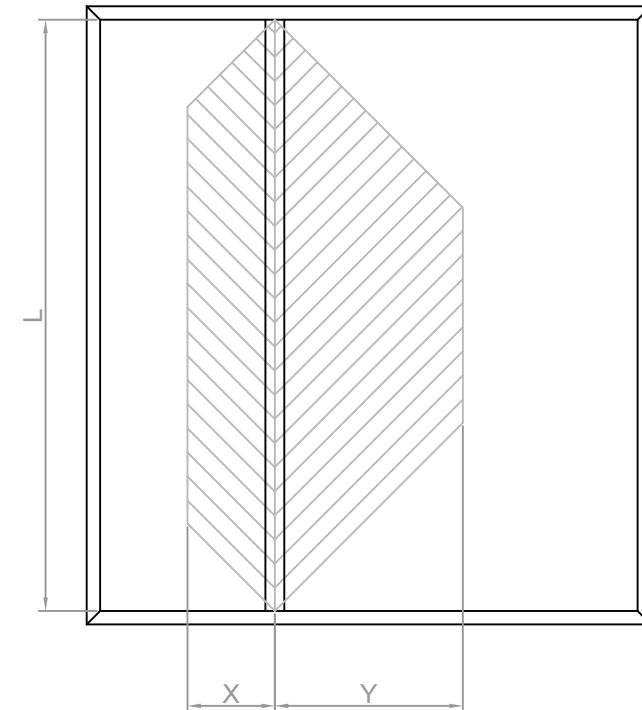
L (mm)	x / y (mm)													
	200	300	400	500	600	700	800	900	1000	1100	1200	1300	1400	1500
1000	0,94	1,30	1,53	1,61										
1100	1,27	1,77	2,14	2,33										
1200	1,66	2,35	2,88	3,22	3,33									
1300	2,12	3,03	3,77	4,29	4,56									
1400	2,67	3,84	4,82	5,56	6,02	6,17								
1500	3,29	4,76	6,03	7,04	7,73	8,09								
1600	4,01	5,83	7,43	8,74	9,72	10,33	10,53							
1700	4,83	7,04	9,01	10,69	12,00	12,90	13,37							
1800	5,74	8,40	10,81	12,89	14,59	15,84	16,61	16,87						
1900	6,77	9,93	12,82	15,37	17,50	19,16	20,30	20,87						
2000	7,91	11,62	15,06	18,13	20,76	22,88	24,44	25,39	25,71					
2100	9,17	13,50	17,54	21,19	24,38	27,03	29,07	30,46	31,17					
2200	10,55	15,57	20,27	24,57	28,38	31,62	34,21	36,10	37,26	37,65				
2300	12,07	17,84	23,27	28,29	32,78	36,67	39,88	42,35	44,02	44,87				
2400	13,73	20,31	26,55	32,35	37,60	42,21	46,11	49,22	51,48	52,86	53,32			
2500	15,53	23,00	30,12	36,77	42,84	48,26	52,91	56,74	59,67	61,65	62,65			
2600	17,49	25,92	33,98	41,56	48,55	54,83	60,33	64,94	68,62	71,28	72,90	73,44		
2700	19,60	29,07	38,17	46,75	54,72	61,96	68,37	73,86	78,35	81,78	84,10	85,26		
2800	22,68	33,67	44,25	54,29	63,65	72,23	79,91	86,59	92,19	96,63	99,84	101,79	102,44	
2900	26,11	38,80	51,04	62,69	73,62	83,71	92,83	100,86	107,72	113,32	117,59	120,46	121,91	
3000	29,92	44,48	58,57	72,02	84,71	96,48	107,21	116,78	125,07	132,00	137,48	141,44	143,84	144,64



Benodigd traagheidsmoment
Moment d'inertie nécessaire
Required moment of inertia

$P = 1600 \text{ N/m}^2$ $f_{\max} = L/225 < 12\text{mm}$

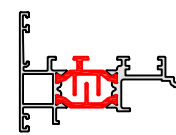
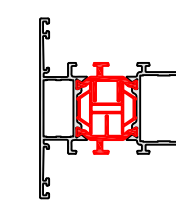
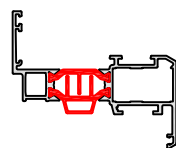
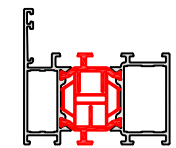
L (mm)	x / y (mm)													
	200	300	400	500	600	700	800	900	1000	1100	1200	1300	1400	1500
1000	1,25	1,73	2,04	2,14										
1100	1,69	2,37	2,85	3,11										
1200	2,21	3,13	3,84	4,29	4,44									
1300	2,83	4,05	5,03	5,72	6,08									
1400	3,56	5,11	6,42	7,41	8,02	8,23								
1500	4,39	6,35	8,04	9,38	10,31	10,79								
1600	5,35	7,77	9,90	11,66	12,96	13,77	14,04							
1700	6,44	9,38	12,02	14,25	16,00	17,21	17,82							
1800	7,66	11,20	14,41	17,19	19,45	21,12	22,15	22,49						
1900	9,02	13,24	17,09	20,49	23,34	25,55	27,06	27,83						
2000	10,54	15,50	20,08	24,17	27,68	30,51	32,59	33,86	34,29					
2100	12,22	18,00	23,39	28,26	32,51	36,04	38,76	40,62	41,56					
2200	14,07	20,76	27,03	32,77	37,84	42,15	45,61	48,14	49,68	50,20				
2300	16,10	23,78	31,03	37,72	43,71	48,89	53,17	56,46	58,70	59,82				
2400	18,31	27,08	35,40	43,13	50,13	56,28	61,48	65,62	68,64	70,48	71,09			
2500	20,71	30,67	40,16	49,02	57,13	64,34	70,55	75,65	79,56	82,20	83,54			
2600	23,32	34,56	45,31	55,42	64,73	73,11	80,43	86,59	91,49	95,04	97,20	97,92		
2700	26,13	38,76	50,89	62,34	72,96	82,61	91,15	98,47	104,46	109,04	112,13	113,69		
2800	30,24	44,90	59,00	72,38	84,87	96,31	106,55	115,46	122,92	128,84	133,12	135,72	136,59	
2900	34,82	51,73	68,05	83,59	98,17	111,61	123,77	134,48	143,63	151,10	156,78	160,62	162,55	
3000	39,89	59,31	78,09	96,03	112,94	128,64	142,95	155,71	166,77	176,00	183,31	188,59	191,79	192,86



$P = 2000 \text{ N/m}^2$ $f_{\max} = L/225 < 12\text{mm}$

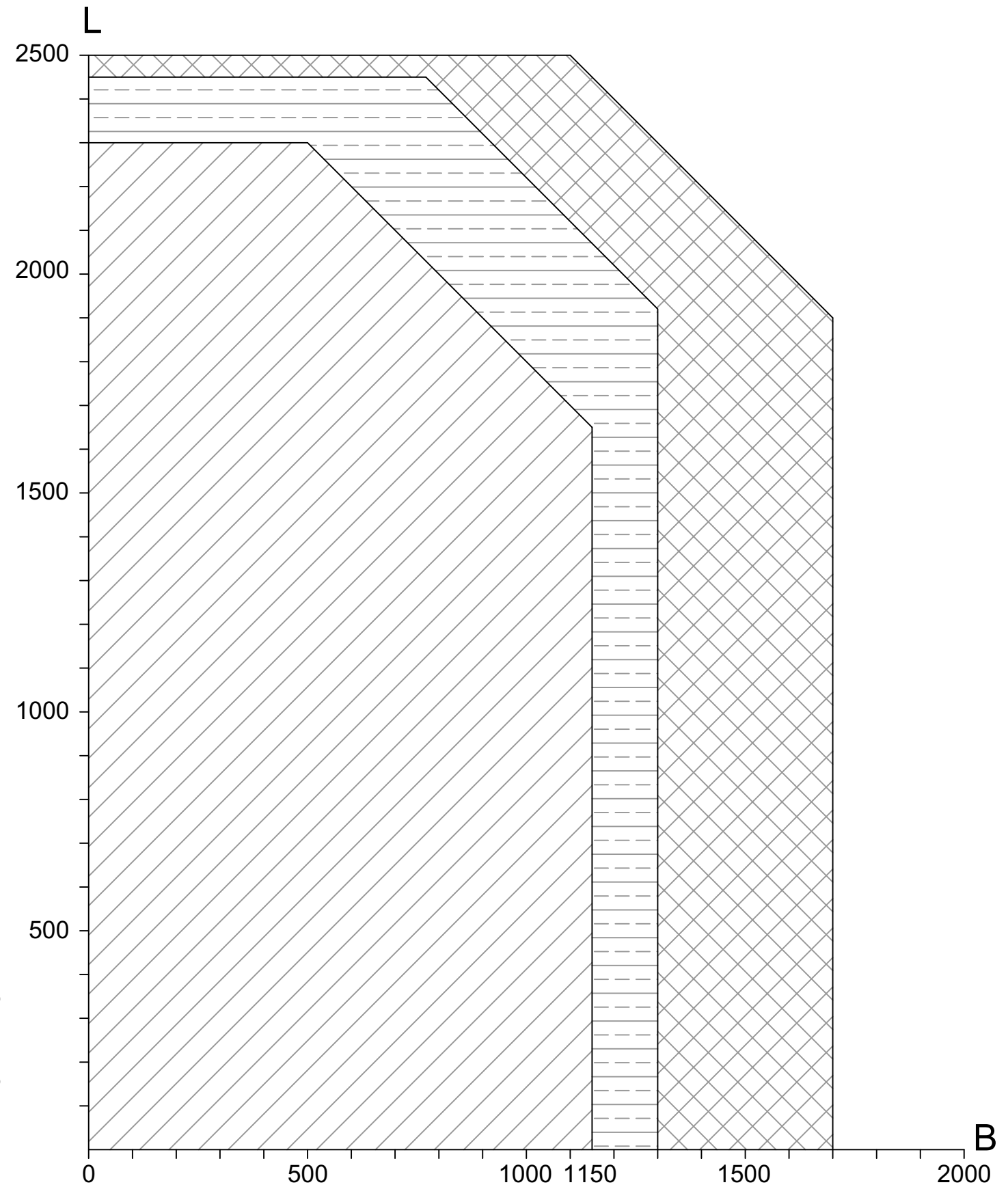
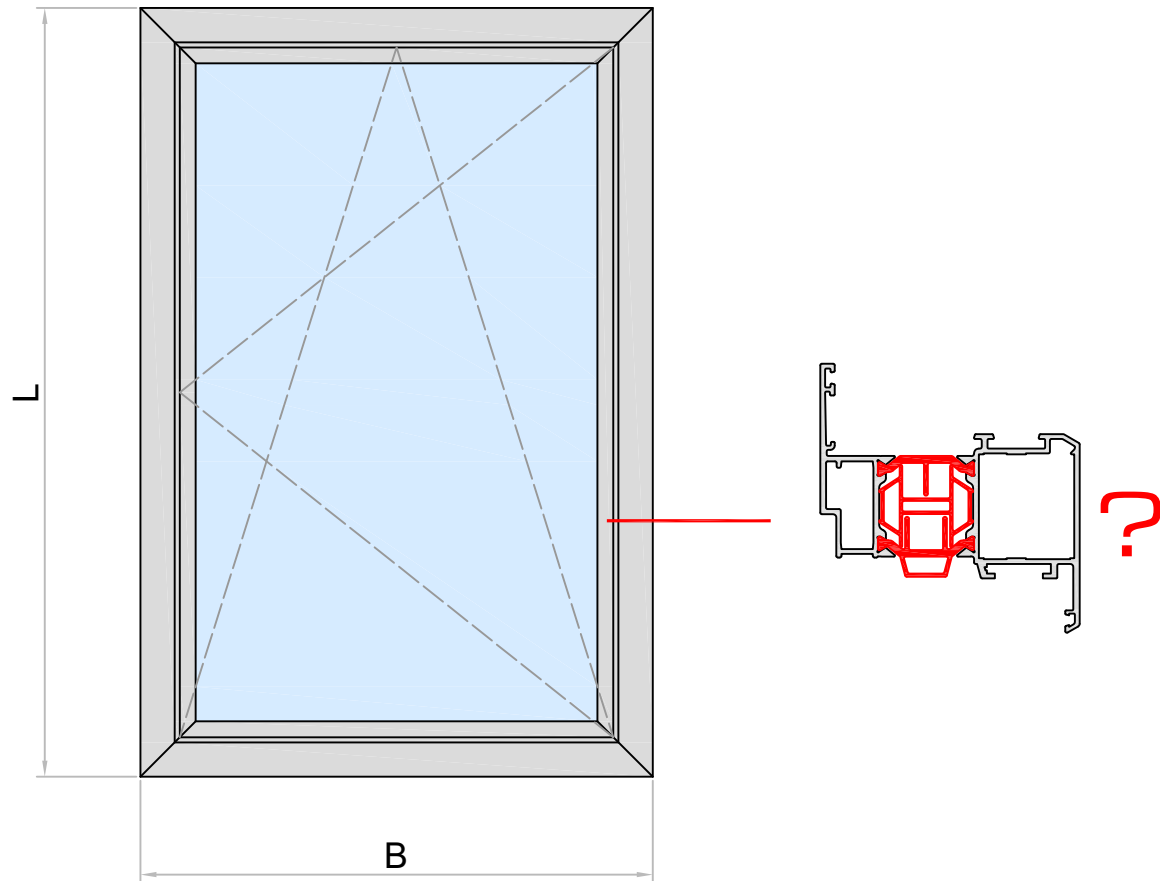
L (mm)	x / y (mm)													
	200	300	400	500	600	700	800	900	1000	1100	1200	1300	1400	1500
1000	1,57	2,16	2,55	2,68										
1100	2,11	2,96	3,56	3,88										
1200	2,77	3,92	4,80	5,36	5,55									
1300	3,54	5,06	6,28	7,15	7,59									
1400	4,44	6,39	8,03	9,26	10,03	10,29								
1500	5,49	7,94	10,05	11,73	12,89	13,49								
1600	6,69	9,72	12,38	14,57	16,20	17,21	17,55							
1700	8,04	11,73	15,02	17,81	20,00	21,51	22,28							
1800	9,57	14,00	18,01	21,49	24,31	26,40	27,69	28,12						
1900	11,28	16,54	21,37	25,61	29,17	31,94	33,83	34,79						
2000	13,18	19,37	25,10	30,22	34,60	38,14	40,73	42,32	42,86					
2100	15,28	22,50	29,23	35,32	40,64	45,05	48,45	50,77	51,95					
2200	17,59	25,95	33,79	40,96	47,30	52,69	57,02	60,17	62,10	62,75				
2300	20,12	29,73	38,79	47,14	54,63	61,12	66,47	70,58	73,37	74,78				
2400	22,89	33,85	44,25	53,91	62,66	70,35	76,85	82,03	85,80	88,10	88,87			
2500	25,89	38,34	50,19	61,28	71,41	80,43	88,19	94,57	99,45	102,75	104,42			
2600	29,15	43,20	56,64	69,27	80,91	91,39	100,54	108,24	114,36	118,80	121,50	122,40		
2700	32,66	48,46	63,61	77,92	91,20	103,26	113,94	123,09	130,58	136,30	140,16	142,11		
2800	37,80	56,12	73,75	90,48	106,09	120,38	133,18	144,32	153,65	161,05	166,40	169,65	170,74	
2900	43,52	64,66	85,06	104,48	122,71	139,51	154,71	168,10	179,54	188,87	195,98	200,77	203,18	
3000	49,87	74,13	97,61	120,04	141,18	160,80	178,69	194,63	208,46	220,00	229,13	235,74	239,73	241,07

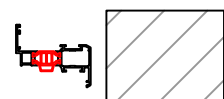
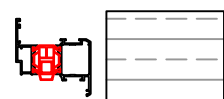
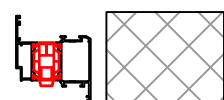
Traagheidsmomenten in functie van "C"-waarde
 Moments d'inertie en fonction du valeur "C"
 Moments of inertia according to "C" value



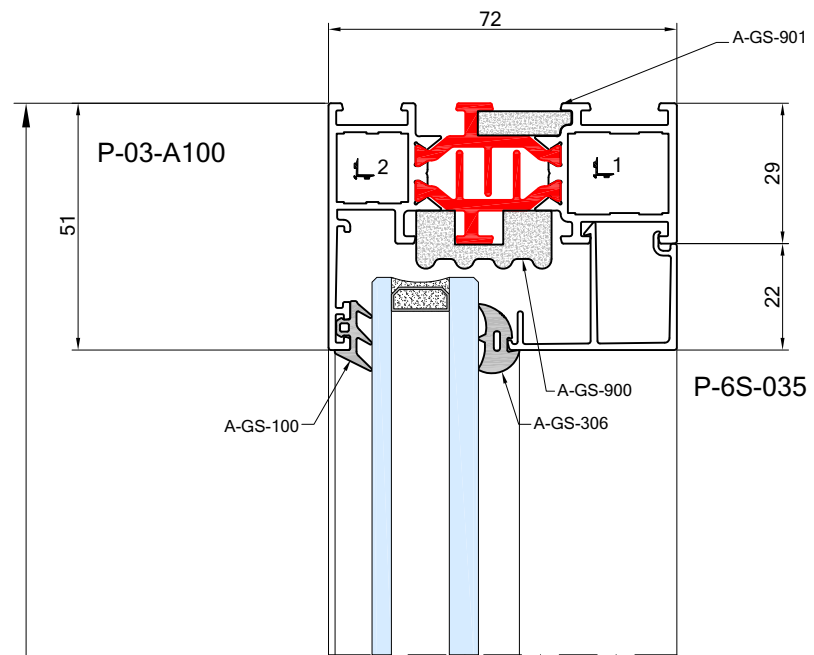
	1000	1100	1200	1300	1400	1500	1600	1700	1800	1900	2000	2100	2200	2300	2400	2500	2600	2700	2800	2900	3000
P-03-A100	12,7	13,9	15,0	16,1	17,0	18,0	18,8	19,6	20,3	21,0	21,6	22,2	22,7	23,2	23,6	24,0	24,4	24,7	25,0	25,3	25,6
P-03-A101	14,5	15,9	17,3	18,6	19,8	21,0	22,1	23,1	24,1	25,0	25,8	26,6	27,3	27,9	28,6	29,1	29,6	30,1	30,6	31,0	31,4
P-03-A102	15,6	17,1	18,6	20,0	21,4	22,7	23,9	25,1	26,2	27,2	28,2	29,1	29,9	30,7	31,4	32,1	32,7	33,3	33,8	34,3	34,8
P-03-A103	20,7	22,6	24,6	26,6	28,6	30,6	32,5	34,4	36,2	37,9	39,6	41,2	42,7	44,2	45,6	46,9	48,2	49,4	50,5	51,5	52,6
P-03-A104	13,7	15,1	16,3	17,5	18,7	19,7	20,7	21,6	22,5	23,3	24,0	24,7	25,3	25,9	26,5	26,9	27,4	27,8	28,2	28,6	28,9
P-03-A108	24,4	26,4	28,3	30,2	32,1	33,8	35,5	37,1	38,5	39,9	41,2	42,4	43,5	44,6	45,6	46,5	47,3	48,1	48,8	49,5	50,2
P-03-A109	51,0	54,0	57,0	59,9	62,7	65,5	68,0	70,5	72,8	75,0	77,0	79,0	80,8	82,4	84,0	85,5	86,9	88,2	89,4	90,5	91,6
P-03-A110	64,3	67,9	71,5	75,0	78,4	81,7	84,9	87,9	90,8	93,5	96,0	98,4	100,7	102,8	104,8	106,6	108,4	110,0	111,5	113,0	114,3
P-03-A115	59,7	63,1	66,4	69,6	72,7	75,7	78,4	81,0	83,5	85,8	87,9	89,9	91,7	93,4	95,0	96,5	97,9	99,2	100,4	101,5	102,5
P-03-A116	12,7	13,9	15,0	16,1	17,1	18,0	18,8	19,6	20,4	21,0	21,6	22,2	22,7	23,2	23,6	24,0	24,4	24,7	25,0	25,3	25,6
P-03-A117	12,5	13,7	14,8	15,9	16,9	17,8	18,7	19,5	20,2	20,9	21,5	22,1	22,6	23,1	23,5	23,9	24,3	24,6	25,0	25,2	25,5
P-03-A118	14,4	15,8	17,2	18,5	19,7	20,9	22,0	23,0	24,0	24,9	25,7	26,5	27,2	27,9	28,5	29,0	29,6	30,1	30,5	30,9	31,3
P-03-A123	20,6	22,6	24,5	26,5	28,4	30,4	32,2	34,1	35,8	37,5	39,2	40,7	42,2	43,6	45,0	46,3	47,5	48,6	49,7	50,8	51,7
P-03-A200	17,9	19,5	21,0	22,3	23,6	24,8	25,9	27,0	27,9	28,8	29,6	30,3	31,0	31,6	32,2	32,7	33,2	33,6	34,0	34,4	34,8
P-03-A201	20,7	22,6	24,3	26,0	27,7	29,2	30,6	32,0	33,3	34,5	35,6	36,6	37,5	38,4	39,2	40,0	40,7	41,4	42,0	42,5	43,1
P-03-A202	22,2	24,2	26,1	27,9	29,7	31,4	33,0	34,6	36,0	37,4	38,6	39,8	40,9	41,9	42,9	43,8	44,6	45,4	46,1	46,8	47,4
P-03-A210	18,3	19,8	21,3	22,7	24,0	25,3	26,4	27,5	28,4	29,3	30,2	30,9	31,6	32,2	32,8	33,4	33,9	34,3	34,8	35,1	35,5
P-03-A211	21,0	22,9	24,7	26,4	28,0	29,6	31,1	32,5	33,8	35,0	36,1	37,2	38,2	39,1	39,9	40,7	41,4	42,1	42,7	43,3	43,8
P-03-A212	22,5	24,5	26,4	28,3	30,1	31,8	33,5	35,0	36,5	37,9	39,2	40,4	41,5	42,5	43,5	44,4	45,3	46,1	46,8	47,5	48,2
P-03-A230B	19,5	21,2	22,8	24,4	25,9	27,3	28,6	29,8	30,9	32,0	33,0	33,9	34,7	35,5	36,2	36,8	37,4	38,0	38,5	39,0	39,5
P-03-A231B	21,5	23,4	25,3	27,0	28,7	30,4	31,9	33,4	34,7	36,0	37,2	38,3	39,4	40,3	41,2	42,1	42,9	43,6	44,3	44,9	45,5
P-03-A240B	19,8	21,6	23,2	24,8	26,4	27,8	29,1	30,4	31,6	32,6	33,6	34,6	35,4	36,2	37,0	37,7	38,3	38,9	39,4	39,9	40,4
P-03-A241B	21,9	23,8	25,7	27,5	29,2	30,9	32,5	33,9	35,4	36,7	37,9	39,0	40,1	41,1	42,0	42,9	43,7	44,5	45,2	45,8	46,4
P-03-A300	13,6	15,0	16,3	17,5	18,6	19,7	20,7	21,6	22,5	23,3	24,0	24,7	25,3	25,9	26,4	26,9	27,3	27,7	28,1	28,5	28,8
P-03-A301	15,4	17,0	18,5	19,9	21,3	22,6	23,8	25,0	26,1	27,1	28,1	28,9	29,8	30,5	31,2	31,9	32,5	33,1	33,6	34,1	34,6
P-03-A302	16,5	18,1	19,7	21,3	22,8	24,2	25,6	26,9	28,1	29,3	30,3	31,4	32,3	33,2	34,0	34,8	35,5	36,2	36,8	37,4	37,9
P-03-A303	21,2	23,3	25,3	27,4	29,4	31,4	33,4	35,3	37,1	38,9	40,6	42,3	43,8	45,3	46,7	48,1	49,3	50,6	51,7	52,8	53,8
P-03-A304	25,5	27,7	30,0	32,4	34,8	37,2	39,6	42,0	44,3	46,6	48,8	51,0	53,1	55,1	57,1	59,0	60,8	62,5	64,2	65,8	67,3
P-03-A305	47,4	50,2	52,9	55,6	58,1	60,5	62,8	64,9	66,9	68,8	70,5	72,2	73,7	75,1	76,4	77,6	78,7	79,8	80,8	81,7	82,5
P-03-A306	51,7	54,7	57,7	60,7	63,5	66,2	68,9	71,4	73,8	76,0	78,1	80,1	82,0	83,8	85,4	87,0	88,4	89,8	91,0	92,2	93,3
P-03-A309	13,6	15,0	16,3	17,5	18,7	19,8	20,8	21,8	22,6	23,5	24,2	24,9	25,6	26,2	26,7	27,3	27,7	28,2	28,6	29,0	29,3
P-03-A310	14,1	15,6	17,0	18,3	19,5	20,7	21,8	22,9	23,8	24,7	25,5	26,3	27,0	27,6	28,2	28,8	29,3	29,8	30,2	30,6	31,0
P-03-A311	15,8	17,4	19,0	20,5	22,0	23,4	24,7	26,0	27,2	28,3	29,3	30,3	31,2	32,0	32,8	33,6	34,2	34,9	35,5	36,0	36,5
P-03-A312	16,8	18,5	20,2	21,8	23,4	24,9	26,4	27,8	29,1	30,3	31,5	32,6	33,6	34,6	35,5	36,3	37,1	37,8	38,5	39,1	39,7
P-03-A315	48,2	51,0	53,7	56,4	58,9	61,4	63,6	65,8	67,8	69,7	71,4	73,1	74,6	76,0	77,3	78,5	79,6	80,7	81,7	82,6	83,4
P-03-A319	15,5	17,0	18,5	20,0	21,4	22,7	24,0	25,2	26,4	27,4	28,4	29,4	30,2	31,0	31,8	32,5	33,1	33,8	34,3	34,9	35,4
P-03-A320	17,9	19,6	21,3	22,8	24,3	25,7	27,0	28,3	29,4	30,5	31,5	32,4	33,2	34,0	34,7	35,4	36,0	36,6	37,2	37,7	38,1
P-03-A321	20,4	22,3	24,2	26,0	27,7	29,4	31,0	32,5	33,9	35,2	36,4	37,6	38,7	39,7	40,6	41,5	42,3	43,1	43,8	44,5	45,1
P-03-A332	98,3	103,0	107,7	112,4	117,1	121,6	126,0	130,3	134,4	138,4	142,1	145,7	149,1	152,3	155,4	158,3	161,0	163,6	166,0	168,3	170,4
P-03-A400	12,6	13,8	14,9	15,9	16,9	17,8	18,7	19,5	20,2	20,8	21,5	22,0	22,5	23,0	23,5	23,9	24,2	24,6	24,9	25,2	25,5
P-03-A430B	13,6	14,9	16,1	17,3	18,3	19,4	20,3	21,2	22,0	22,7	23,4	24,0	24,6	25,1	25,6	26,1	26,5	26,9	27,2	27,6	27,9

Toepassingsbereik
 Limites d' utilisations
 Scope



- 
P-03-A200, P-03-A210, P-03-A230B, P-03-A240B
- 
P-03-A201, P-03-A211, P-03-A231B, P-03-A241B
- 
P-03-A202, P-03-A212

> vast raam
 fenetre fixe
 fixed window



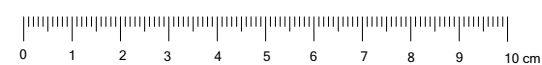
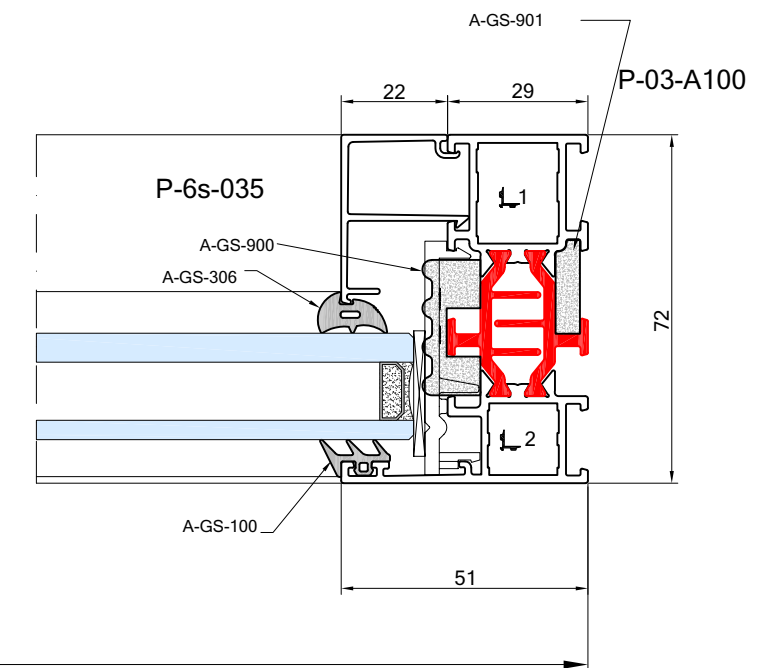
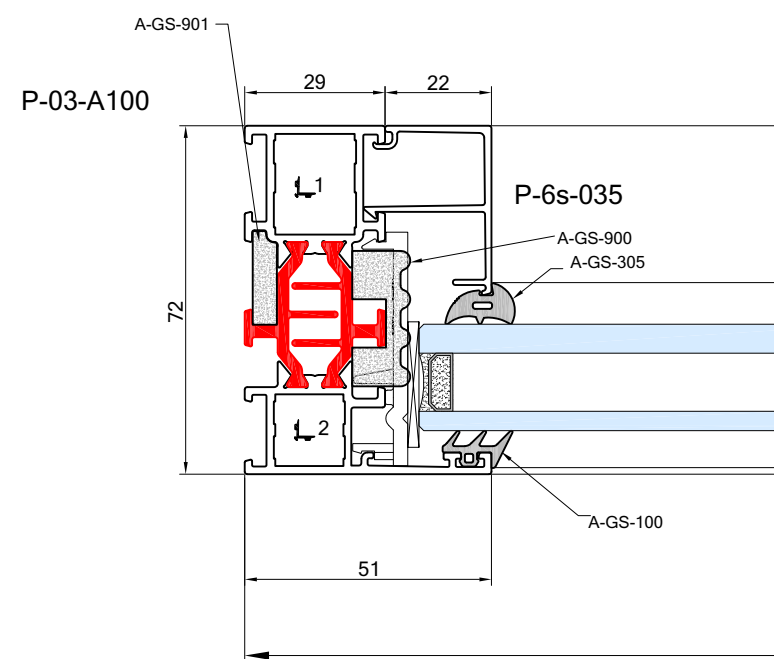
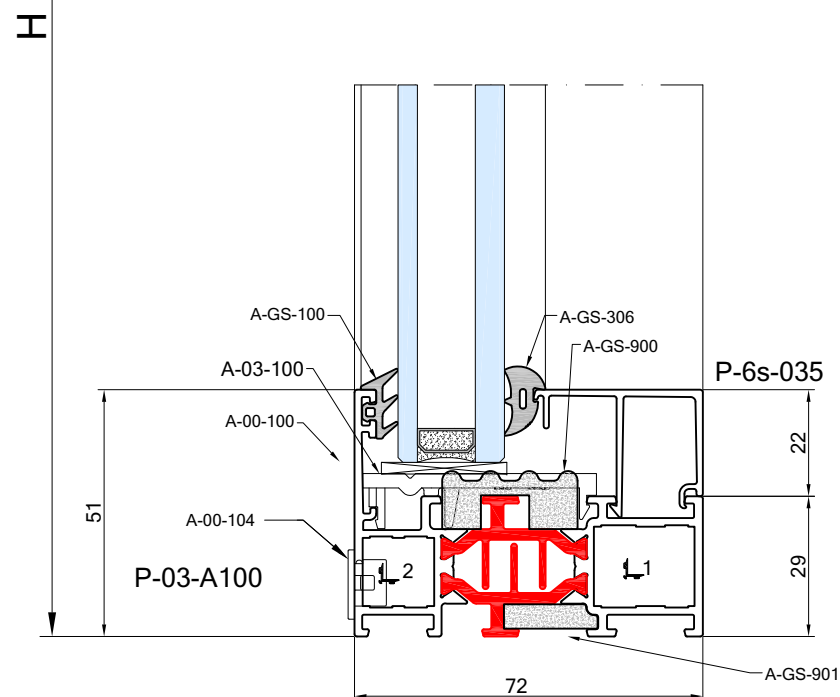
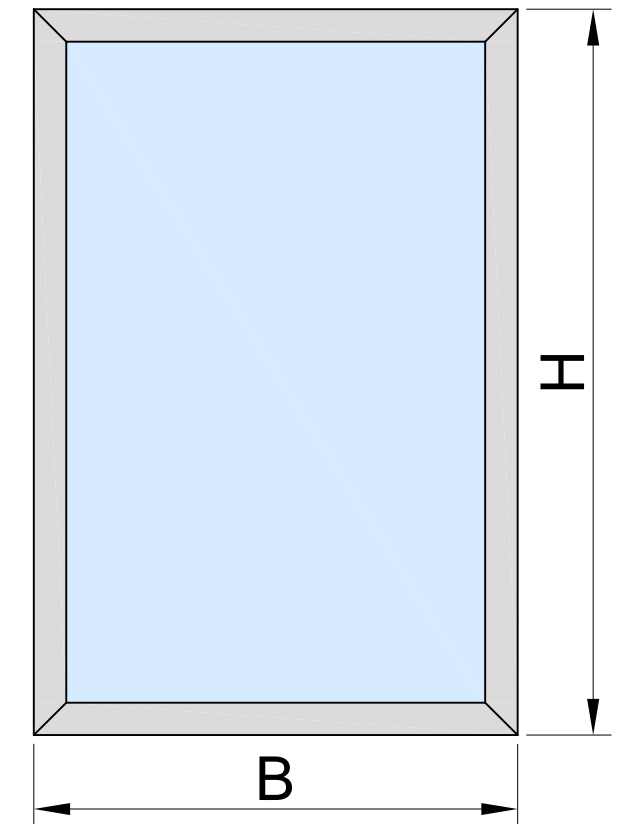
		B	#	H	#
P-03-A100		B	2	H	2
P-6s-035		B - 58	2	H - 102	2

	max. 900
A-00-104	
A-00-105	4
A-03-100	4

	P	S	#
1	A-PH-1621	A-SH-1621	4
2	A-PH-1415	A-SH-1415	4

A-GS-100	2B + 2H
A-GS-306	2B + 2H
A-GS-900	2B + 2H
A-GS-901	2B + 2H

	B	H
	B - 72	H - 72

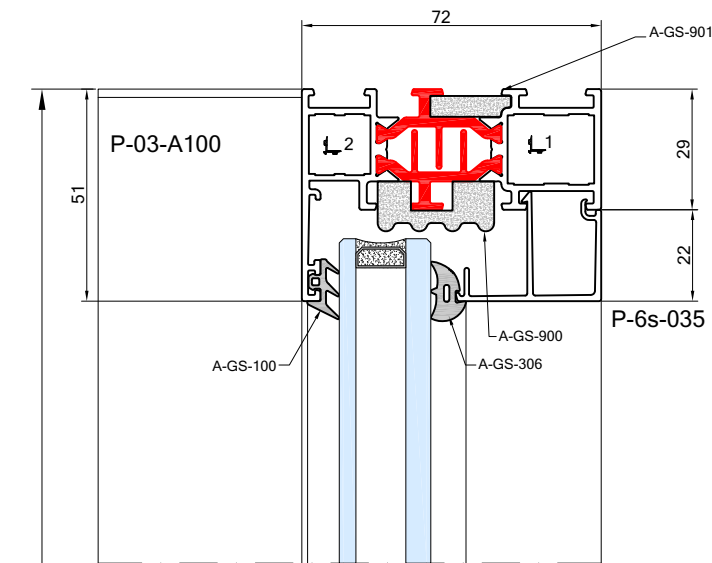
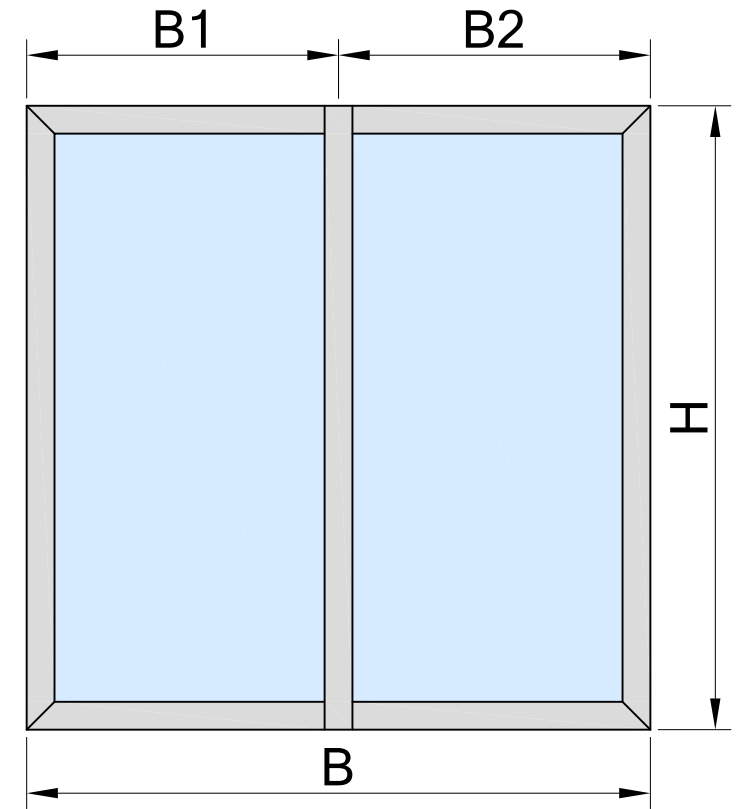


a_tr_enkel



vast raam met tussenstijl
 châssis fixe avec traverse
 fixed window with mullion

		B	#	H	#
P-03-A100		B	2	H	2
P-6s-035		B1 - 43.5	2	H - 102	2
P-6s-035		B2 - 43.5	2	H - 102	2
P-03-A305		-	-	H - 4	1

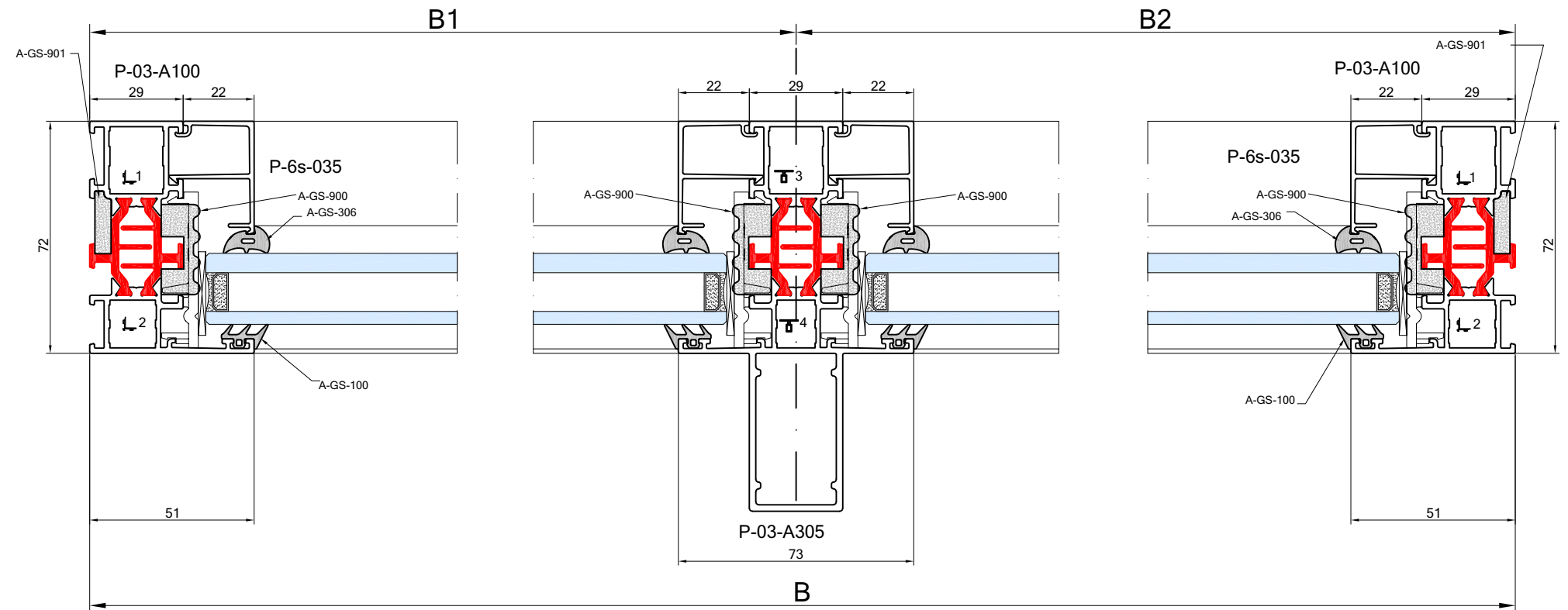
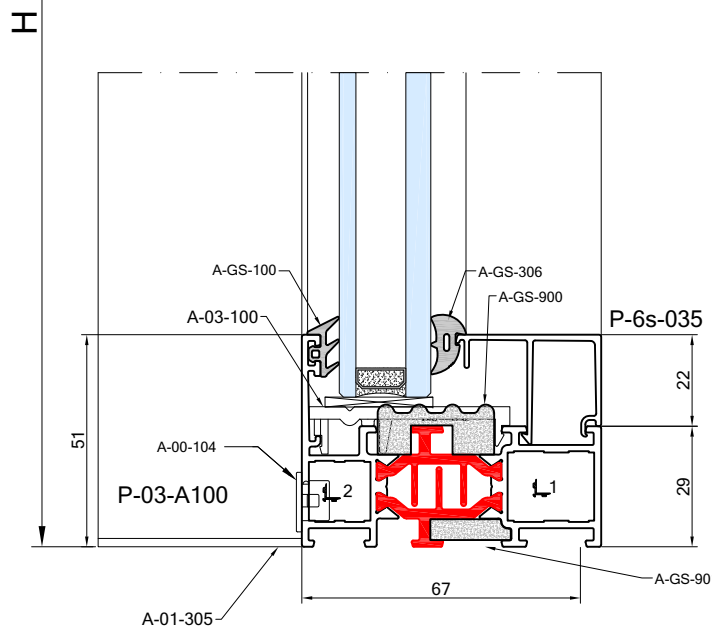


				#
A-00-104				
A-00-105				4
A-00-106				4
A-03-100				8
A-03-301				2
A-01-305				2

				#
1	A-PH-1621	A-SH-1621	-	4
2	A-PH-1415	A-SH-1415	-	4
3	-	-	A-TV-001	2
4	-	-	A-TV-064	2

A-GS-100	2B + 2H
A-GS-306	2B + 2H
A-GS-900	2B + 2H
A-GS-901	2B + 2H

	B	H
	B1 - 57.5	H - 72
	B2 - 57.5	H - 72



a_tr_dubbel_vast-305



vast raam met tussenstijl
 châssis fixe avec traverse
 fixed window with transom

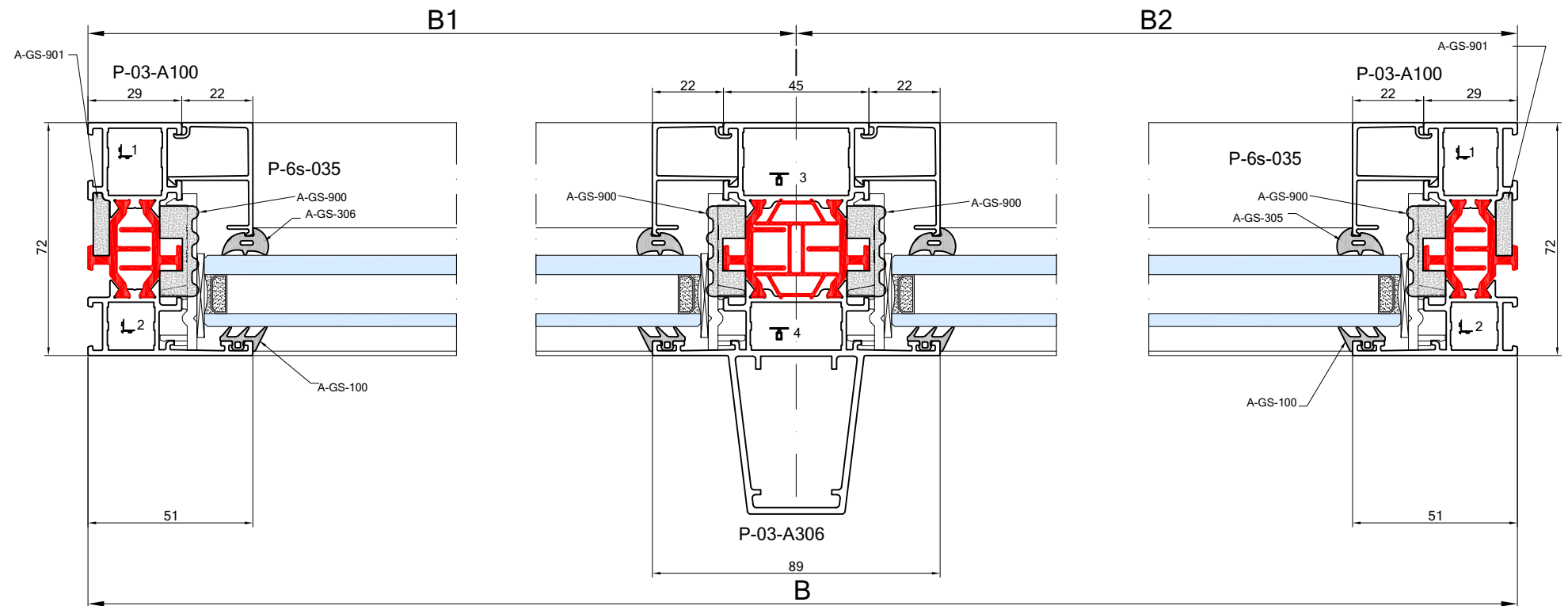
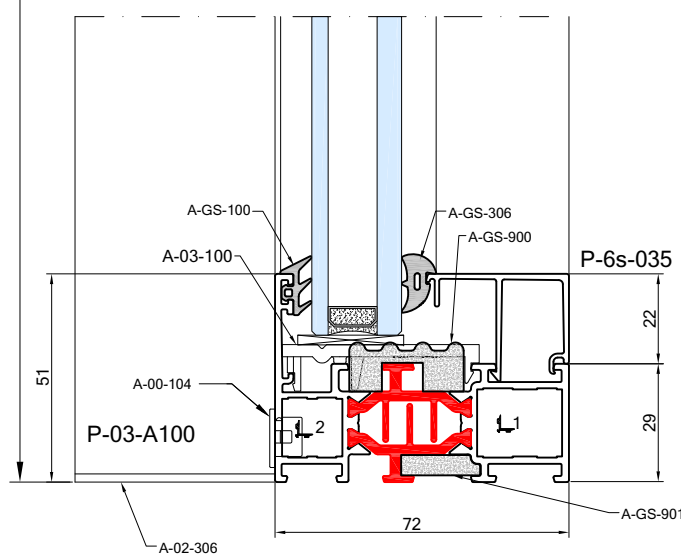
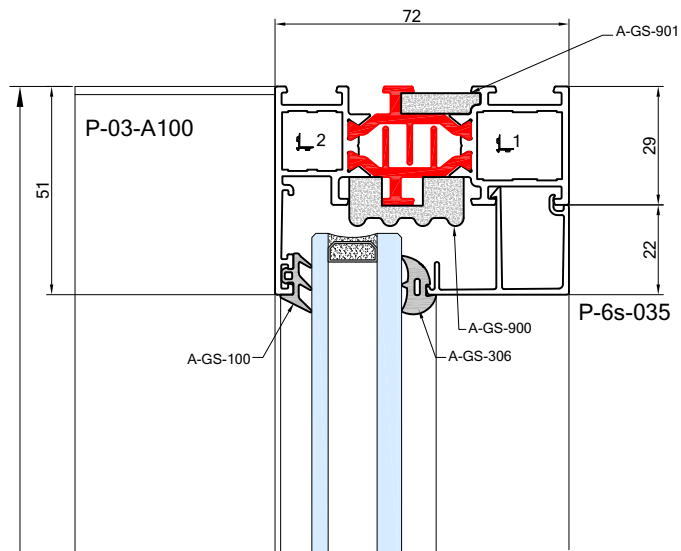
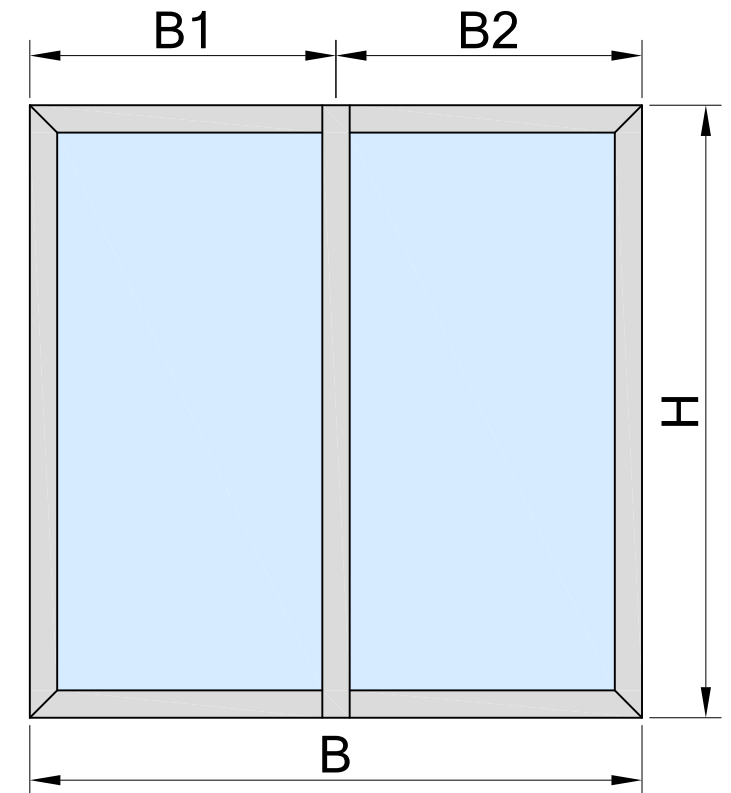
		B	#	H	#
P-03-A100		B	2	H	2
P-6s-035		B1 - 51,5	2	H - 102	2
P-6s-035		B2 - 51,5	2	H - 102	2
P-03-A306		-	-	H - 4	1

		max. 900
A-00-104		
A-00-105		4
A-00-106		4
A-03-100		8
A-02-306		1
A-03-301		2

				#
1	A-PH-1621	A-SH-1621	-	4
2	A-PH-1415	A-SH-1415	-	4
3	-	-	A-TV-002	2
4	-	-	A-TV-065	2

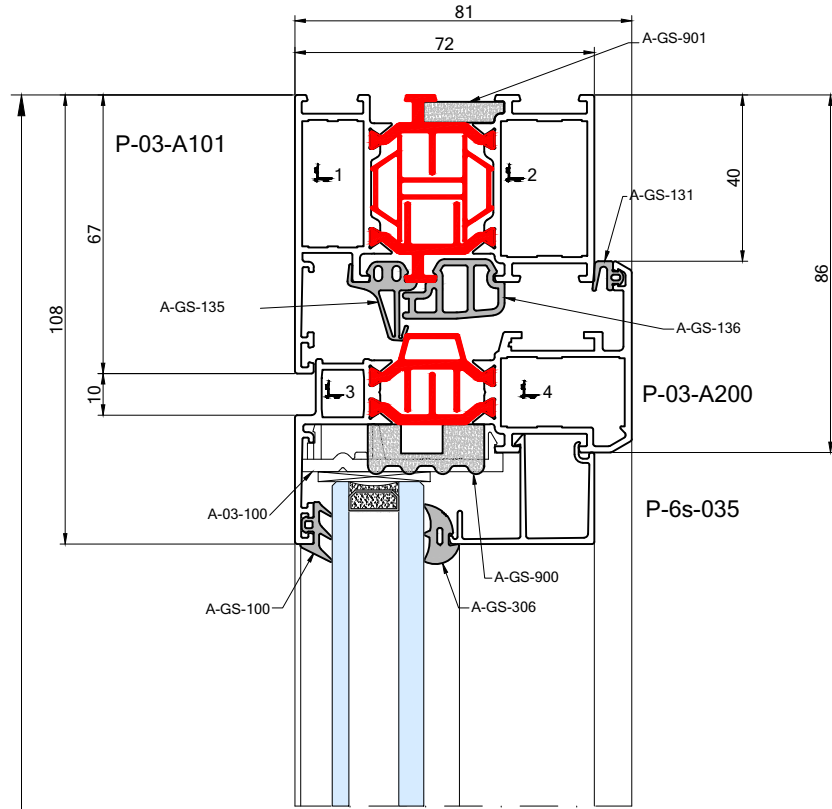
A-GS-100	2B + 2H
A-GS-306	2B + 2H
A-GS-900	2B + 2H
A-GS-901	2B + 2H

	B	H
	B1 - 65,5	H - 72
	B2 - 65,5	H - 72



a_tr_dubbel_vast_306

kipraam
fenetre basculante
tilt window



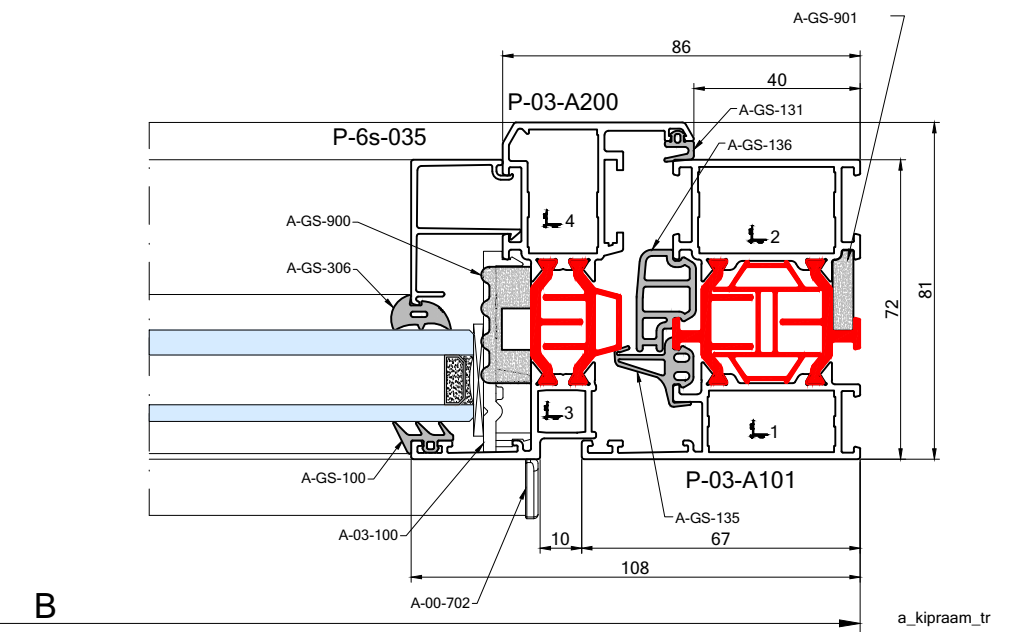
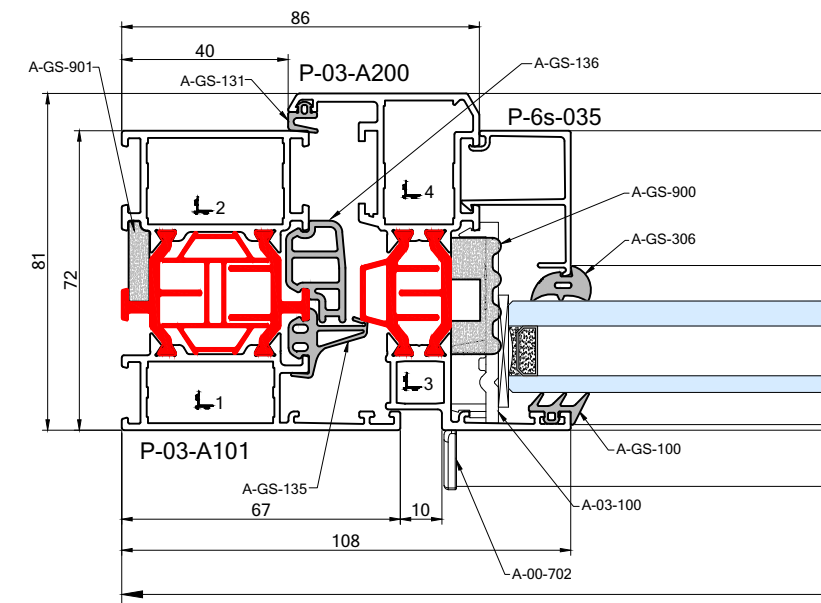
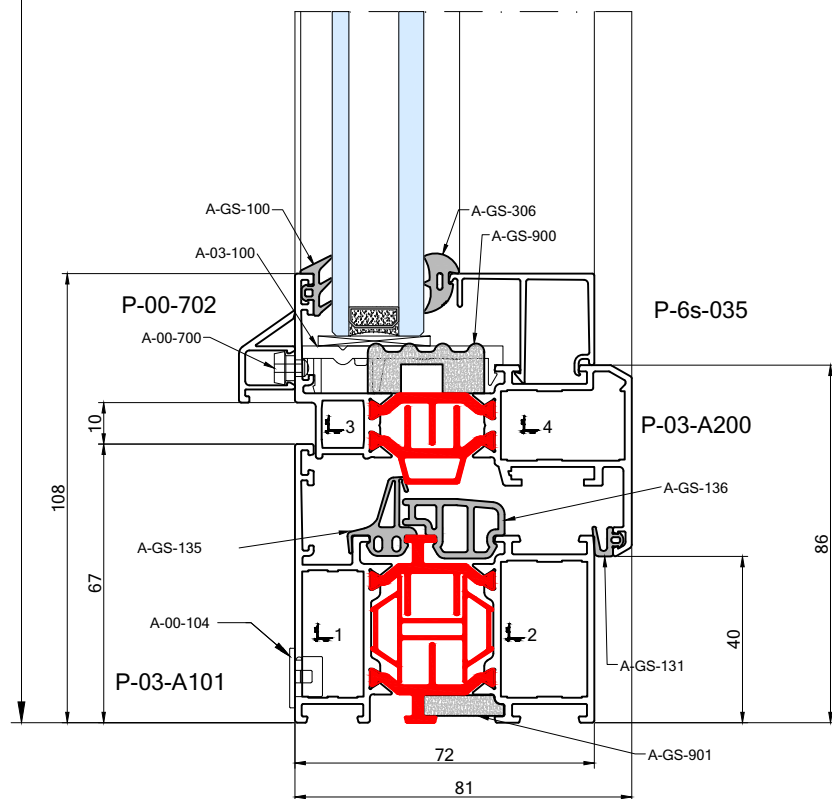
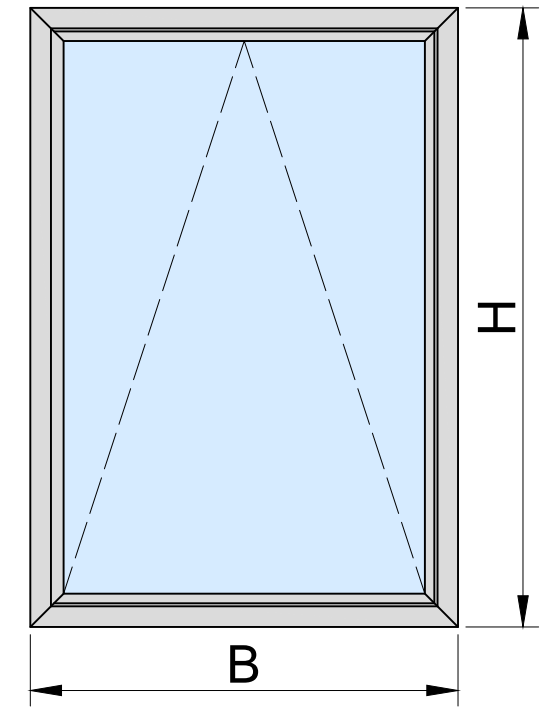
		B	#	H	#
P-03-A101		B	2	H	2
P-03-A200		B - 80	2	H - 80	2
P-6s-035		B - 172	2	H - 216	2
P-00-702		B - 160	1	-	-

	max. 900
A-00-104	
A-00-105	8
A-03-100	8
A-00-700	= B/250
A-00-702	1

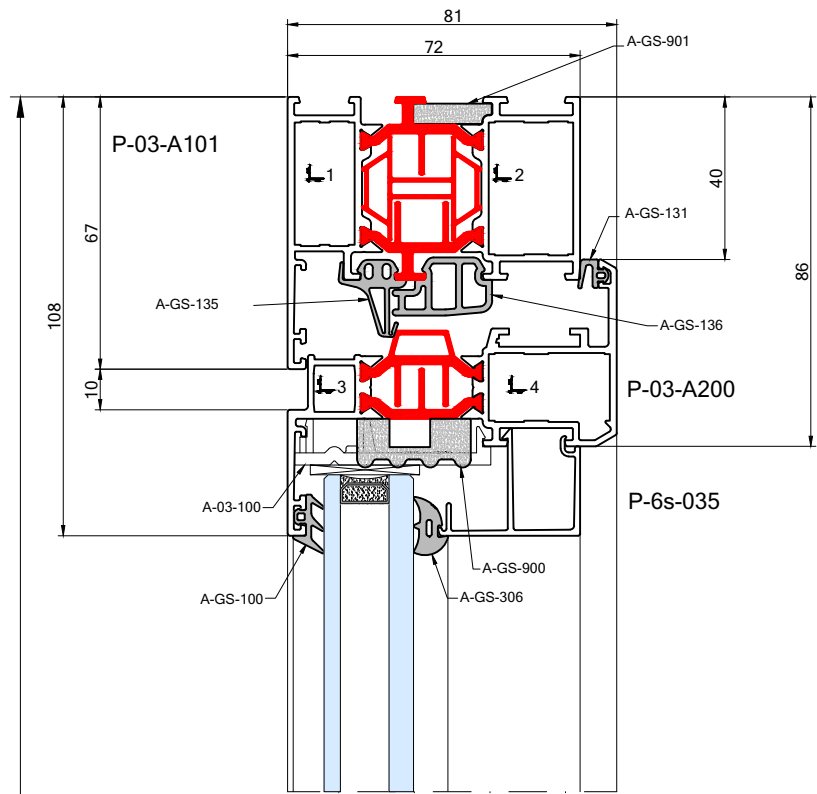
	P	S	#
1	A-PH-3015	A-SH-3015	4
2	A-PH-3221	A-SH-3221	4
3	A-PH-1110	A-SH-1110	4
4	A-PH-1630	A-SH-1630	4

A-GS-131	2B + 2H
A-GS-135	2B + 2H
A-GS-136	2B + 2H
A-GS-100	2B + 2H
A-GS-306	2B + 2H
A-GS-900	2B + 2H
A-GS-901	2B + 2H

	B	H
	B - 186	H - 186



draaikip
fenetre oscillo battante
tilt and turn window

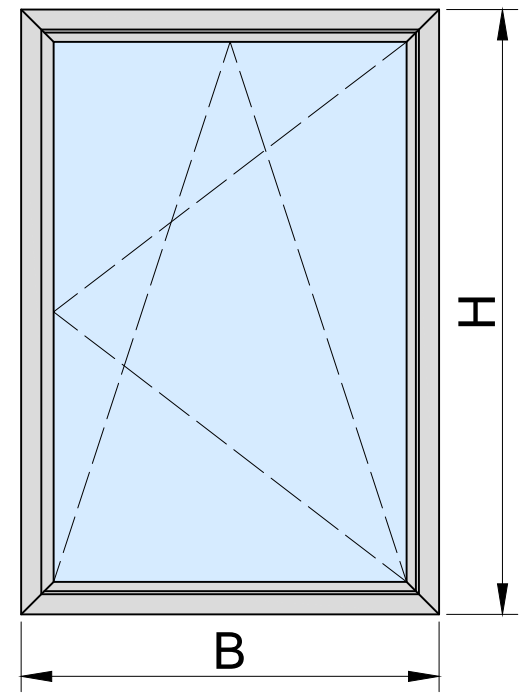
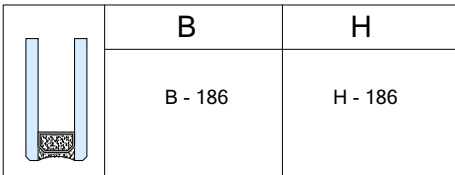


		B	#	H	#
P-03-A101		B	2	H	2
P-03-A200		B - 80	2	H - 80	2
P-6s-035		B - 172	2	H - 216	2
P-00-702		B - 160	1	-	-

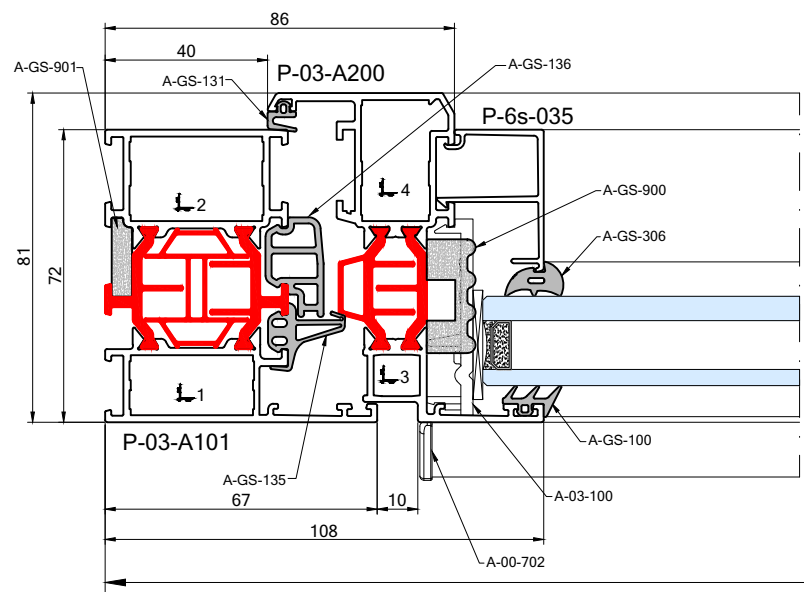
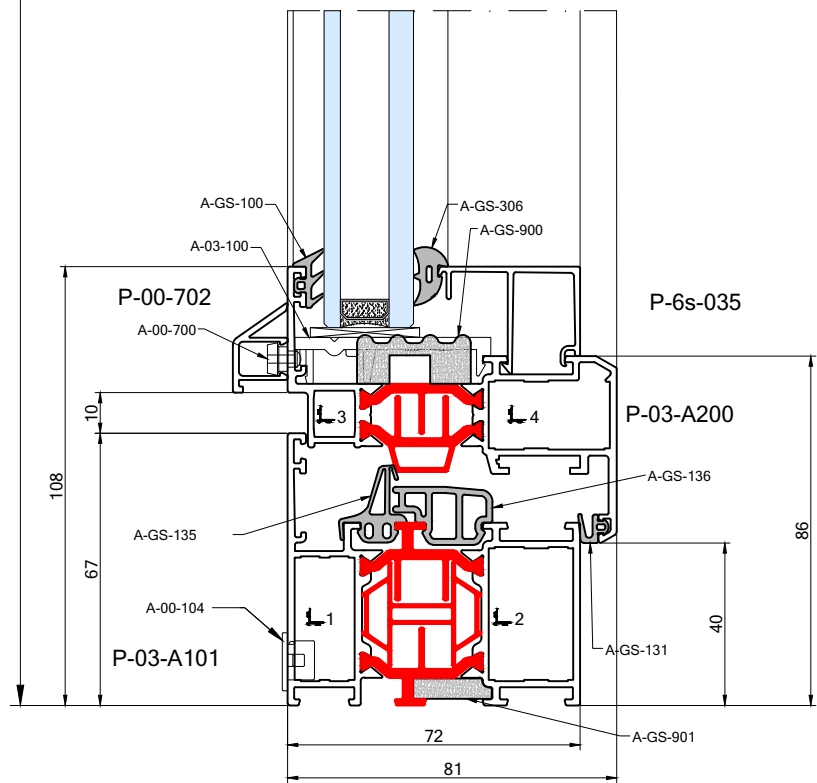
A-00-104		max. 900
A-00-105		8
A-03-100		6
A-00-700		= B/250
A-00-702		1

	P	S	#
1	A-PH-3015	A-SH-3015	4
2	A-PH-3221	A-SH-3221	4
3	A-PH-1110	A-SH-1110	4
4	A-PH-1630	A-SH-1630	4

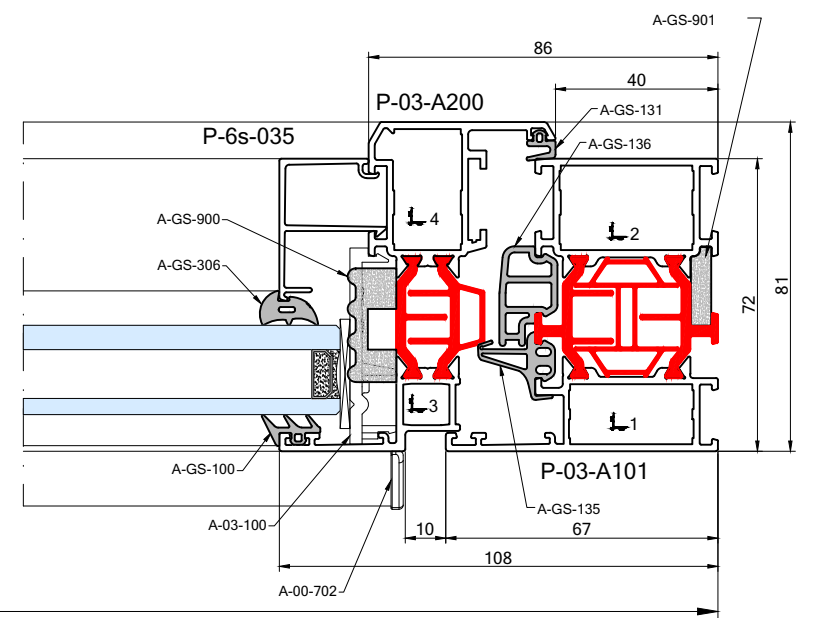
A-GS-131	2B + 2H
A-GS-135	2B + 2H
A-GS-136	2B + 2H
A-GS-100	2B + 2H
A-GS-306	2B + 2H
A-GS-900	2B + 2H
A-GS-901	2B + 2H



H

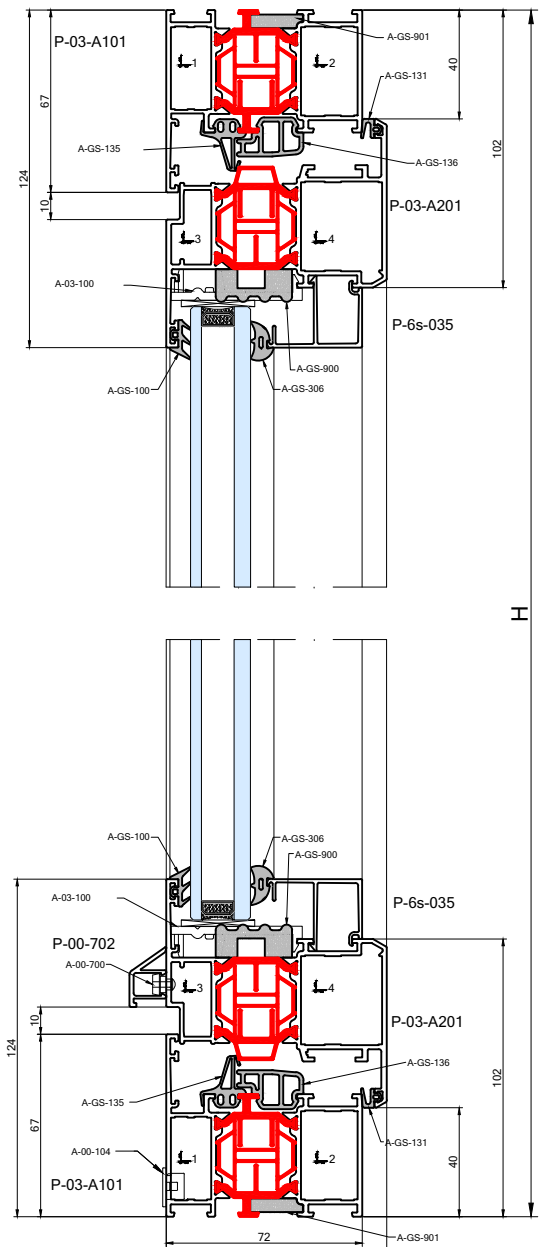
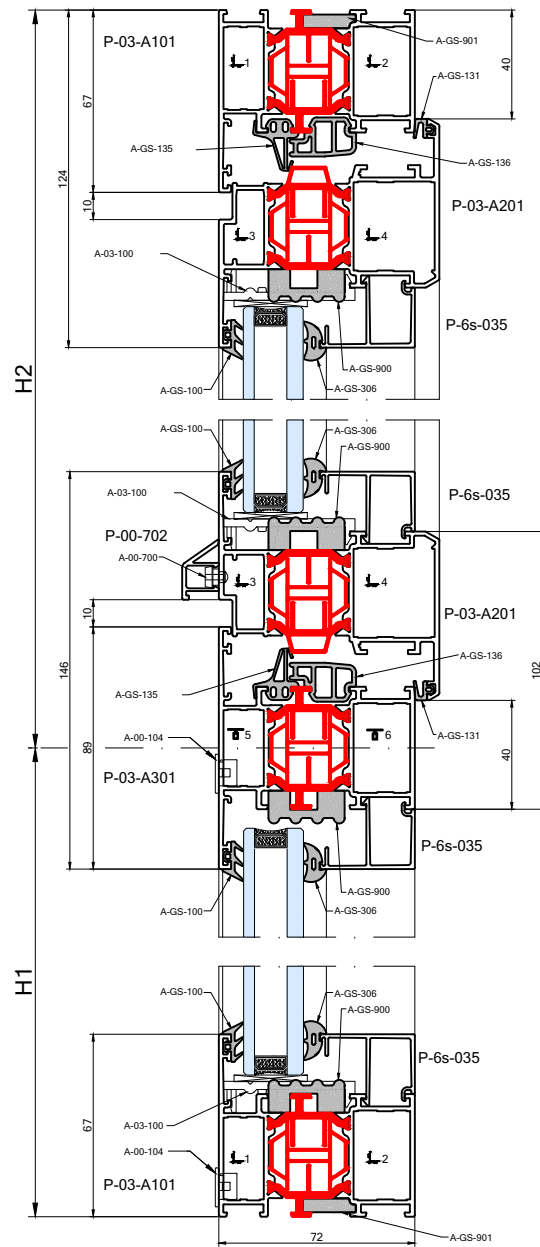


B



a_draaikip_tr

samengesteld raam
fenetre composé
complex window

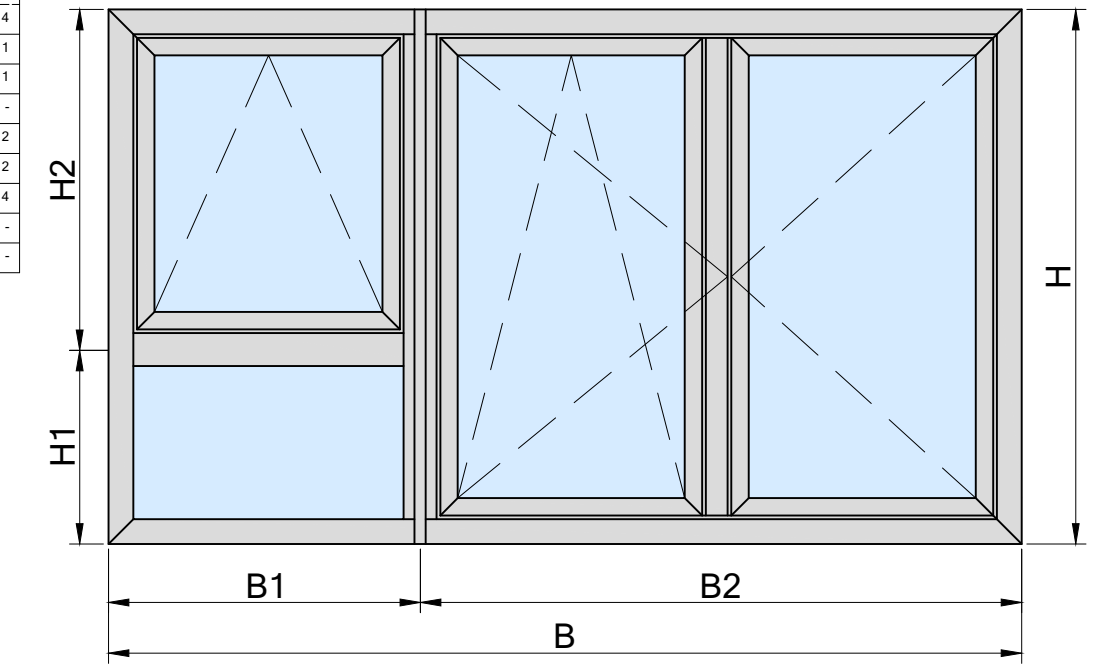


		B	#	H	#
P-03-A101		B	2	H	2
P-03-A201		B1 - 57.5	2	H2 - 57.5	2
P-03-A400		(B2-57.5)/2 - 2.5	4	H - 80	4
P-03-A306		-	-	H - 4	1
P-03-A301		B1 - 67.5	1	-	-
P-6s-035		B1 - 67.5	2	H1 - 111.5	2
		B1 - 181.5	2	H2 - 225.5	2
		(B2 - 57.5)/2 - 126.5	4	H - 248	4
P-00-702		B1 - 137.5	1	-	-
		(B2 - 57.5)/2 - 82.5	2	-	-

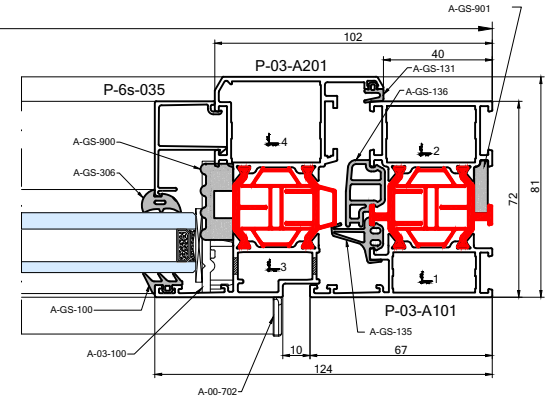
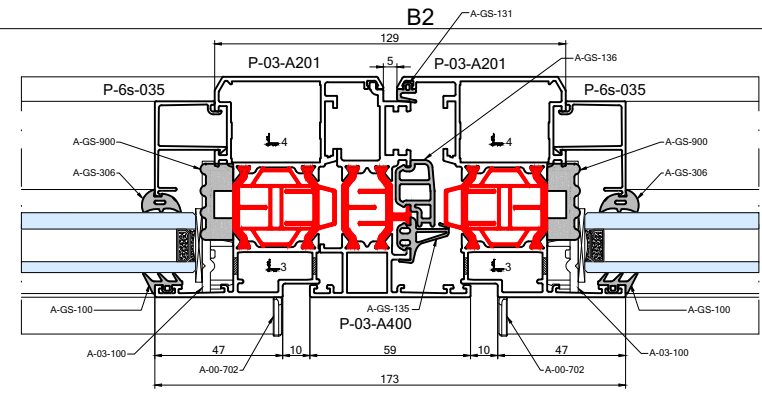
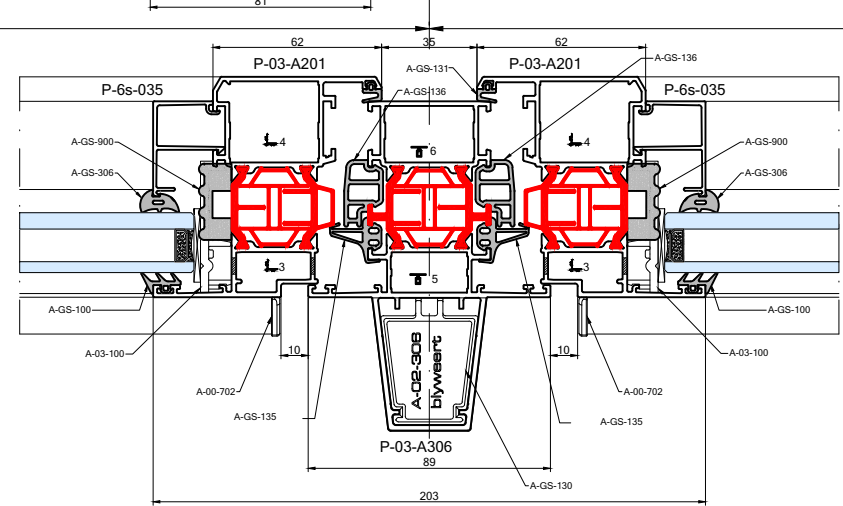
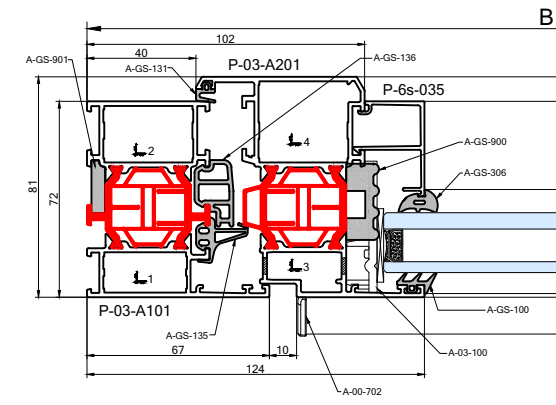
	max. 900
A-00-104	16
A-00-105	8
A-00-106	20
A-03-100	= B/250
A-00-702	3
A-03-200	1
A-03-301	4
A-02-306	2

	P	S	T	#
1	A-PH-3015	A-SH-3015	-	4
2	A-PH-3221	A-SH-3221	-	4
3	A-PH-2710	A-SH-2710	-	12
4	A-PH-3230	A-SH-3230	-	12
5	-	-	A-TV-002	2
6	-	-	A-TV-065	2

	B	H
	B1 - 82	H1 - 82
	B1 - 196	H2 - 196
	(B2 - 57.5)/2 - 141	H - 218

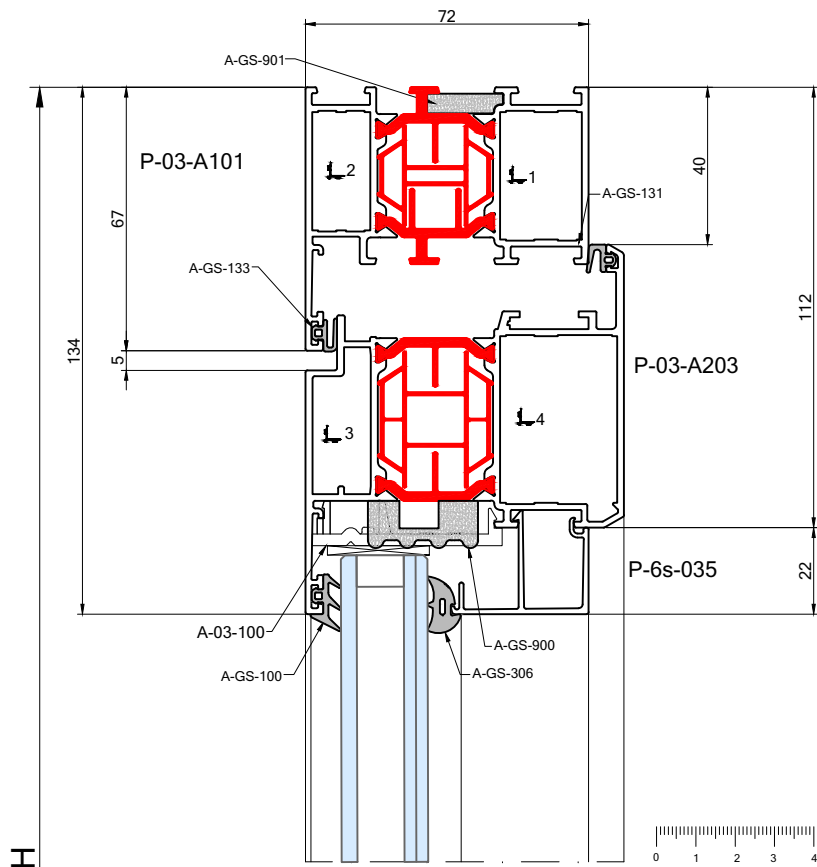


A-GS-131	2B2 + 3H 2(B1 + H2)
A-GS-135	2B2 + 3H 2(B1 + H2)
A-GS-136	2B2 + 3H 2(B1 + H2)
A-GS-100	2B2 + 4H 2(B1 + H2)
A-GS-306	2B2 + 4H 2(B1 + H2)
A-GS-900	2B2 + 4H 2(B1 + H2)
A-GS-901	2B + 2H



a_samengesteld_tr

enkele deur naar binnen draaiend
 porte simple ouvrant interieur
 single door inside opening



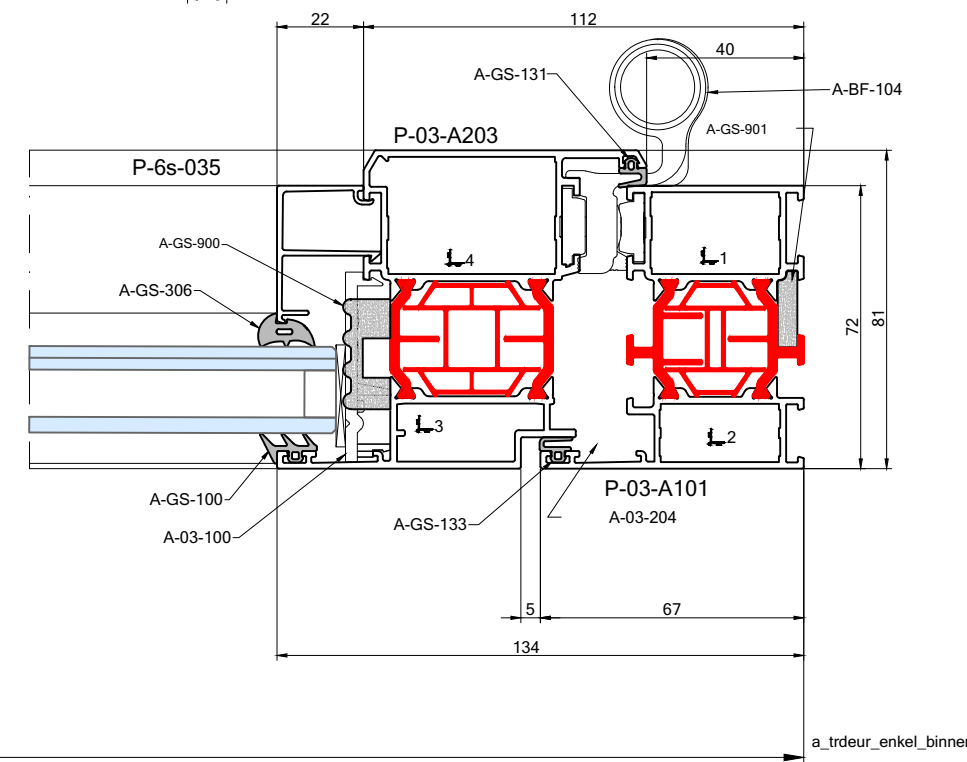
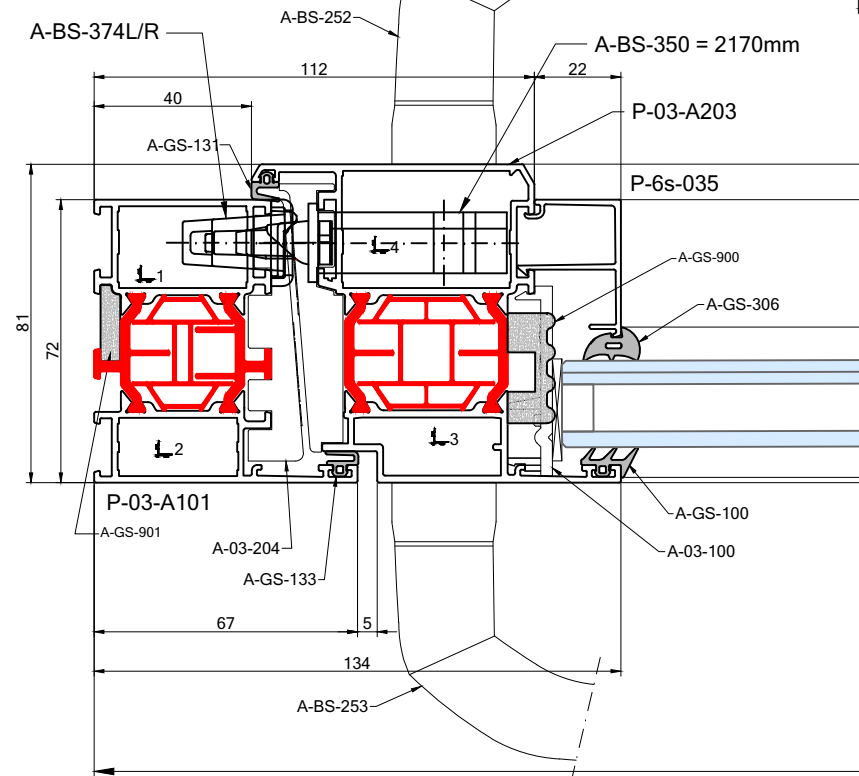
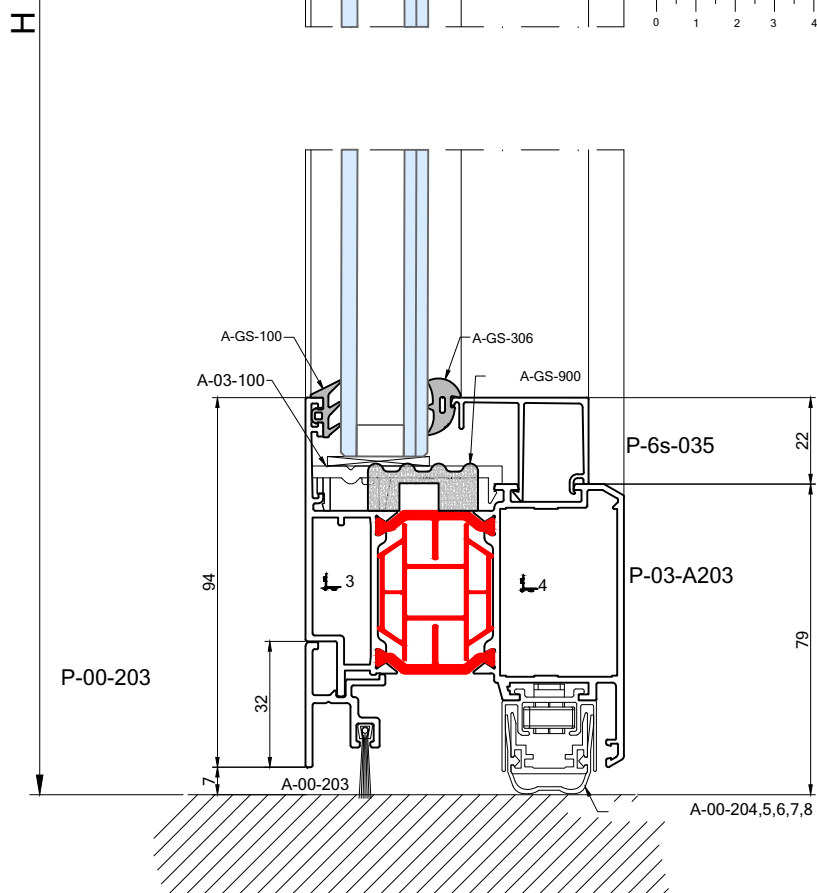
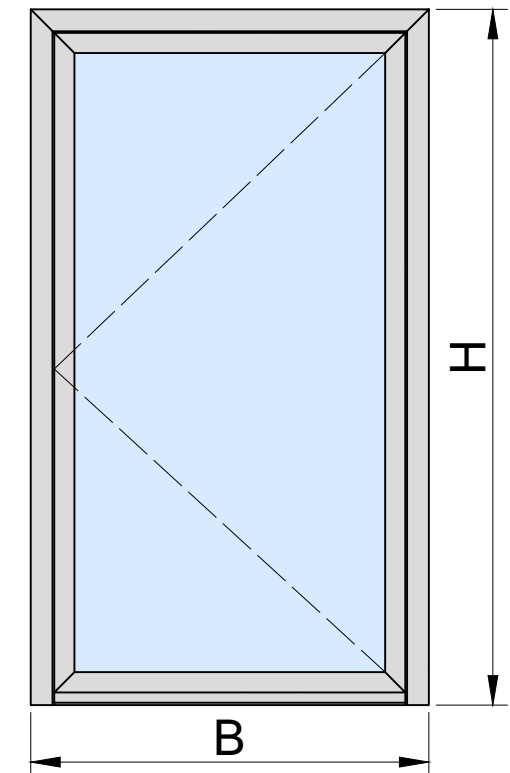
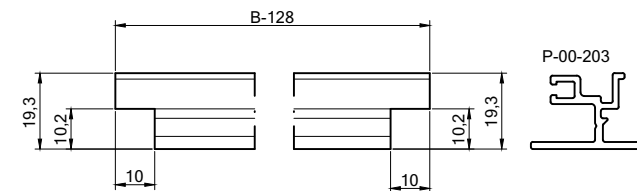
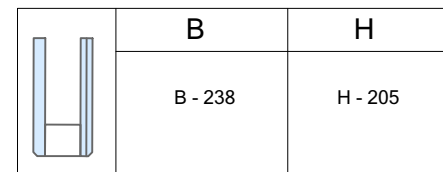
		B	#	H	#
P-03-A101		B	1	-	-
P-03-A101		-	-	H	1
P-03-A203		B - 80	2	H - 47	2
P-6s-035		B - 224	2	H - 235	2
P-00-203		B - 128	1	-	-
A-00-204,5,6,7,8		B - 123	1	-	-

	#
A-00-105	6
A-00-710	1
A-03-100	4
A-03-204	1

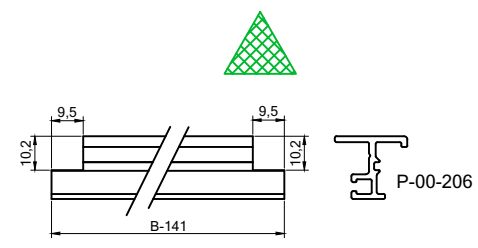
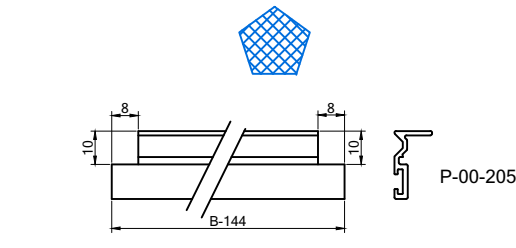
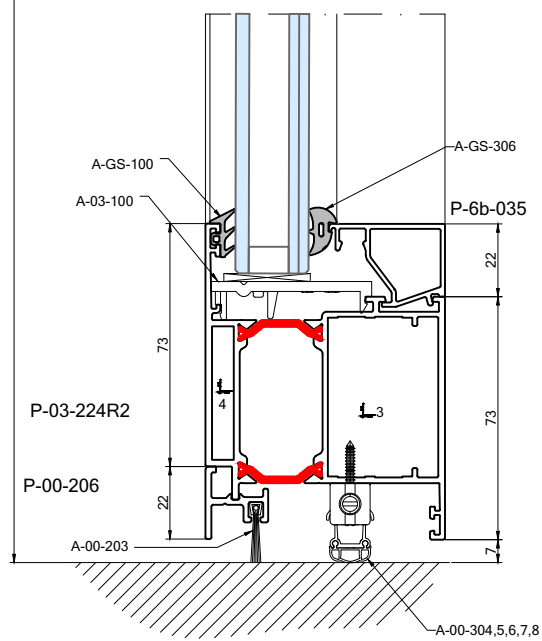
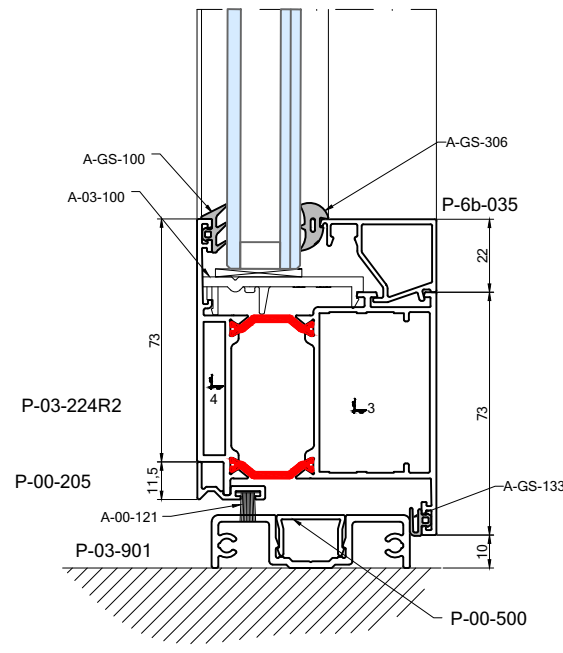
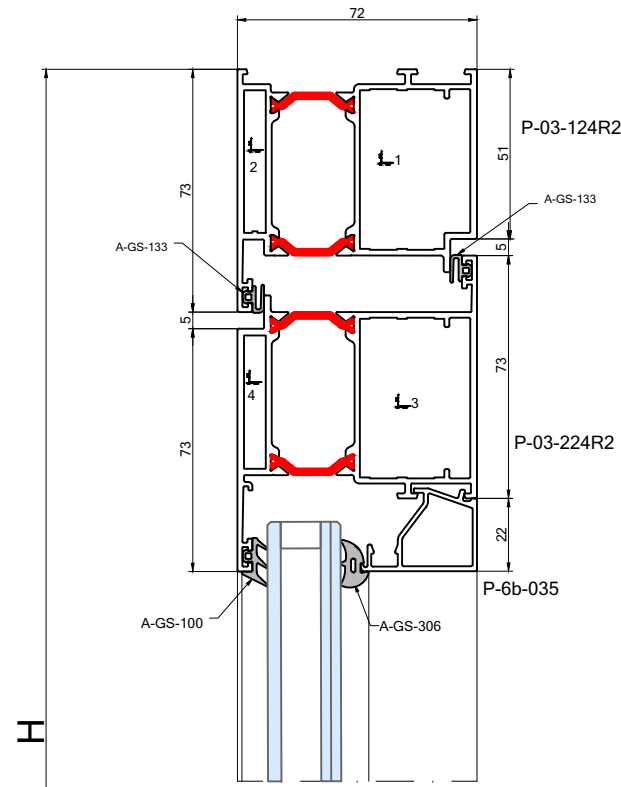
	P	S	#
1	A-PH-3221	A-SH-3221	2
2	A-PH-3015	A-SH-3015	2
3	A-PH-3706		4
4	A-PH-4230	A-SH-4230	4

	#
A-BS-252	1
A-BS-253	1
A-BS-350	1
A-BS-374L/R	1
A-BF-104	3

A-GS-131	B + 2H
A-GS-133	B + 2H
A-GS-100	2B + 2H
A-GS-306	2B + 2H
A-GS-900	2B + 2H
A-GS-901	1B + 2H
A-00-203	B - 148



vlakke enkele deur naar binnen draaiend
 plat de porte simple ouvrant intérieur
 flat single door inside opening



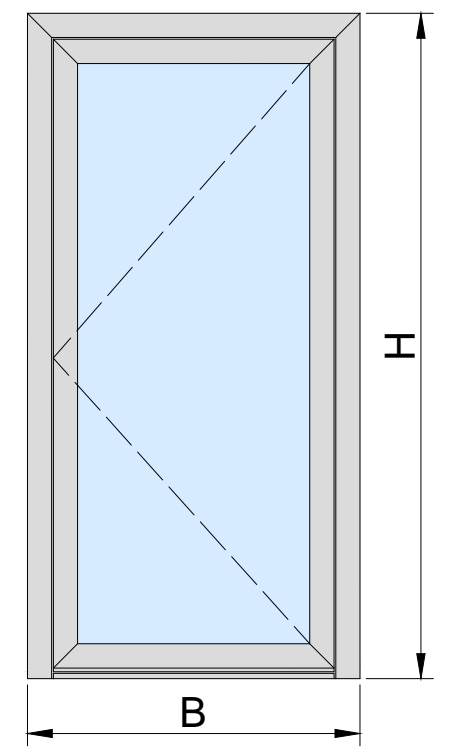
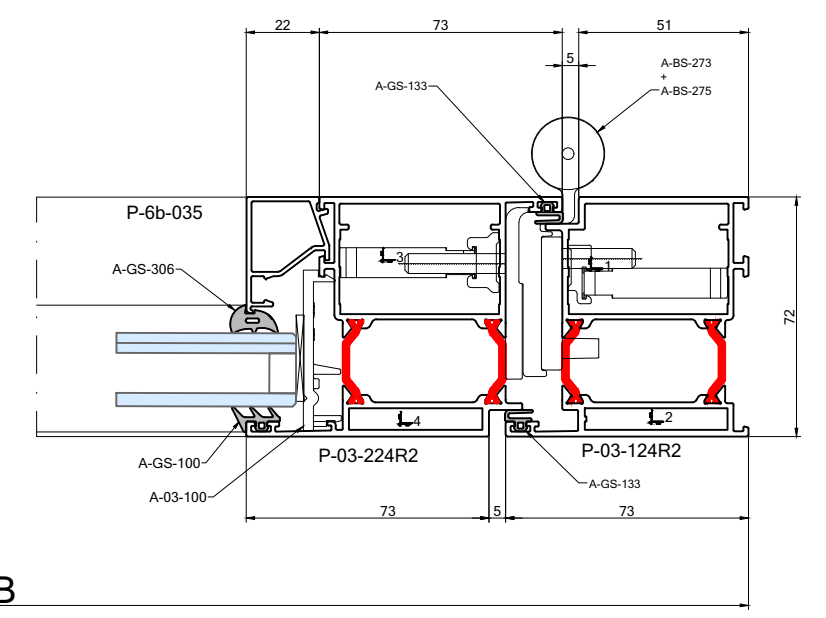
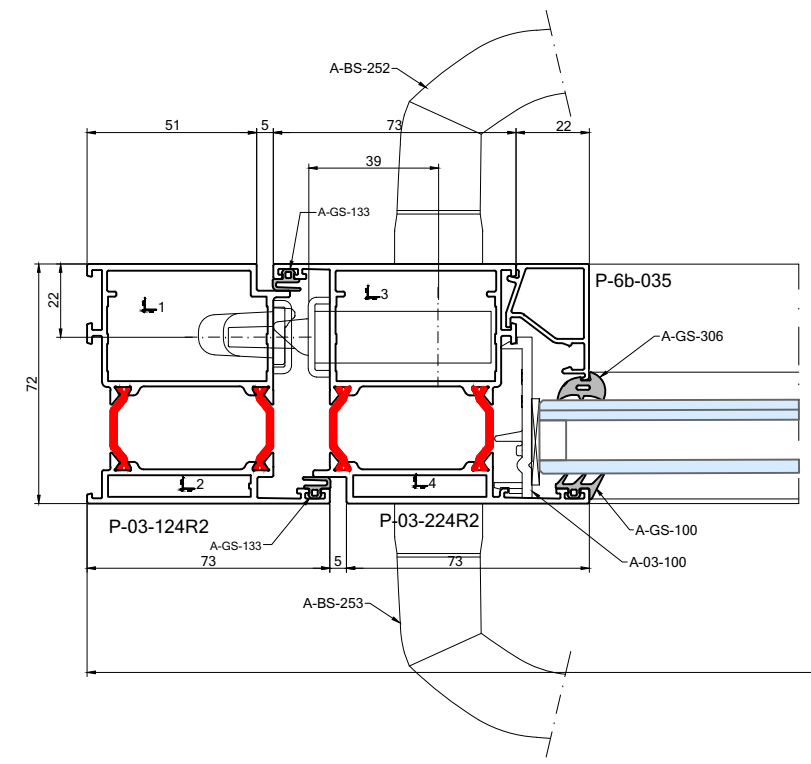
		B	#	H	#
P-03-124R2		B	1	-	-
P-03-124R2		-	-	H	1
P-03-224R2		B - 112	2	▲ H - 63	2
				● H - 66	2
P-03-901		B - 122	1	-	-
P-00-500		B - 122	1	-	-
P-00-206		B - 141	1	-	-
P-00-205		B - 144	1	-	-
P-6b-035		B - 258	2	▲ H - 253	2
				● H - 255	2
A-00-304,5,6,7,8		B - 147	1	-	-

	#
A-00-105	4
A-00-210	1
A-00-211	1
A-03-100	4
A-03-260	2
A-03-901	2

	P	S	#
1	A-PH-4725	A-SH-4724	2
2	A-PH-4006	-	2
3	A-PH-4725	A-SH-4725	4
4	A-PH-4006	-	4

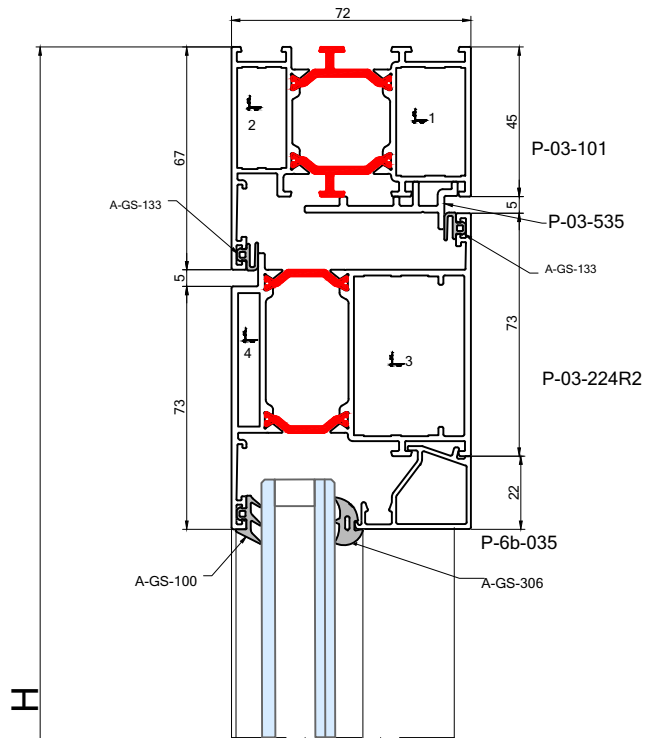
	#
A-BS-252	1
A-BS-253	1
A-BS-359	1
A-BS-374L/R	1
A-BS-273	2
A-BS-275	2

	B	H
A-GS-100	2B + 2H	
A-GS-133	3B + 4H	
A-GS-306	2B + 2H	
A-00-203	B - 150	▲ H - 223
A-00-121	B - 150	● H - 226



trolband_enkel_binnen

vlakke enkele deur naar binnen draaiend
 plat de porte simple ouvrant intérieur
 flat single door inside opening



		B	#	H	#
P-03-101		B	1	-	-
P-03-101		-	-	H	1
P-03-224R2		B - 100	2	▲ H - 57	2
				● H - 60	2
P-03-535		B - 81.5	1	-	-
P-03-535		-	-	H - 40.8	2
● P-03-901		B - 96	1	-	-
● P-00-500		B - 96	1	-	-
● P-00-205		B - 132	1	-	-
▲ P-00-206		B - 129	1	-	-
P-6b-035		B - 246	2	▲ H - 247	2
				● H - 250	2
▲ A-00-304,5,6,7,8		B - 135	1	-	-

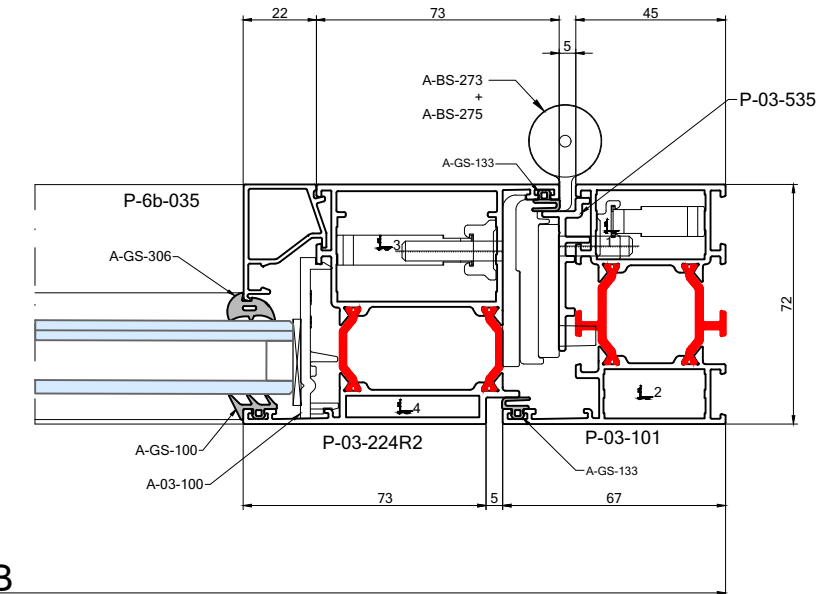
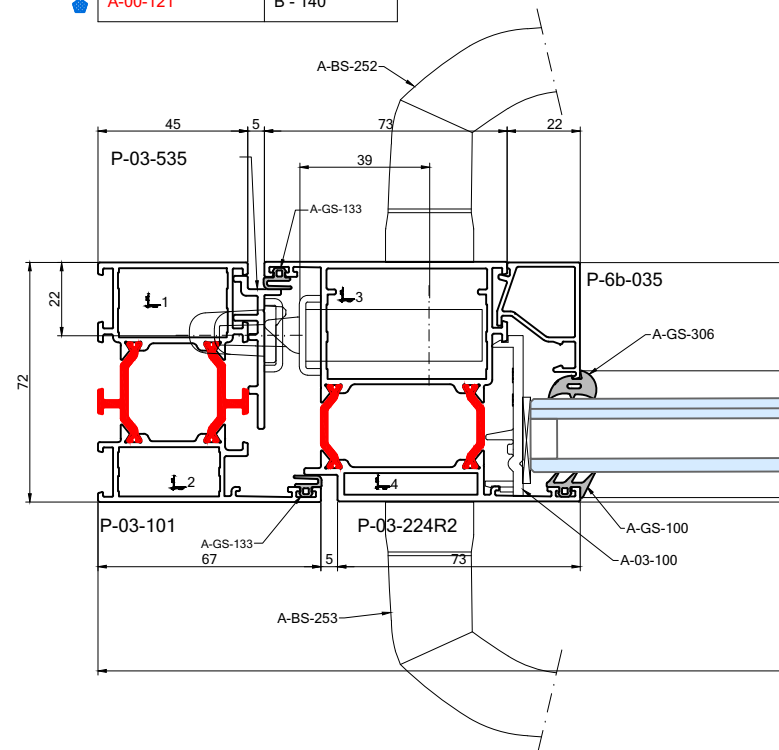
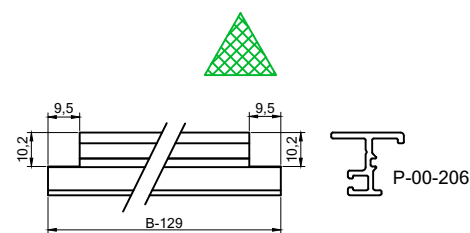
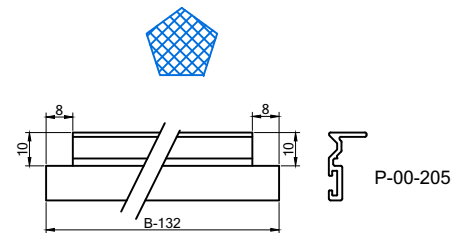
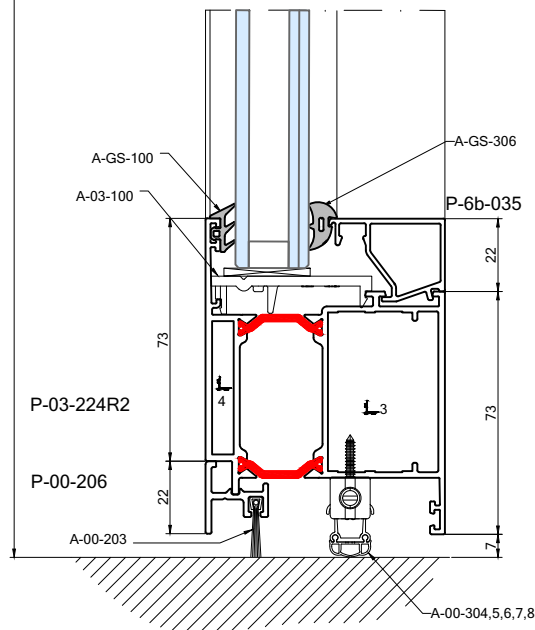
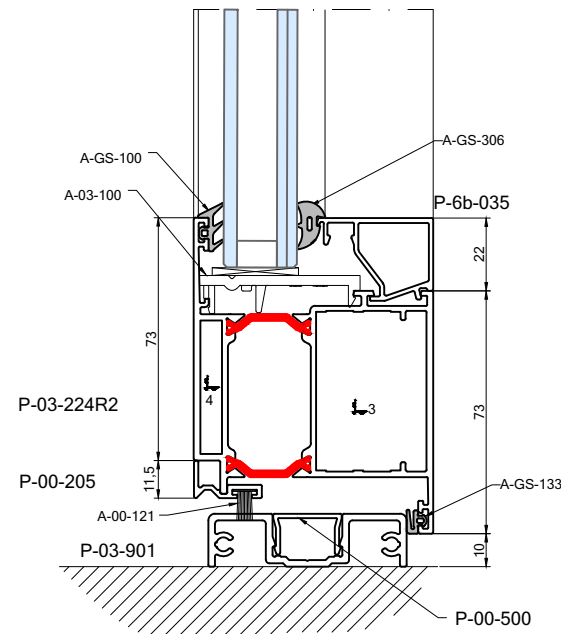
	#
A-00-105	4
● A-00-210	1
▲ A-00-211	1
A-03-100	4
▲ A-03-260	2
● A-03-901	2

	#
1 A-PH-3221	2
2 A-PH-3015	2
3 A-PH-4725	4
4 A-PH-4006	4

	#
A-BS-252	1
A-BS-253	1
A-BS-359	1
A-BS-374L/R	1
A-BS-273	2
A-BS-275	2

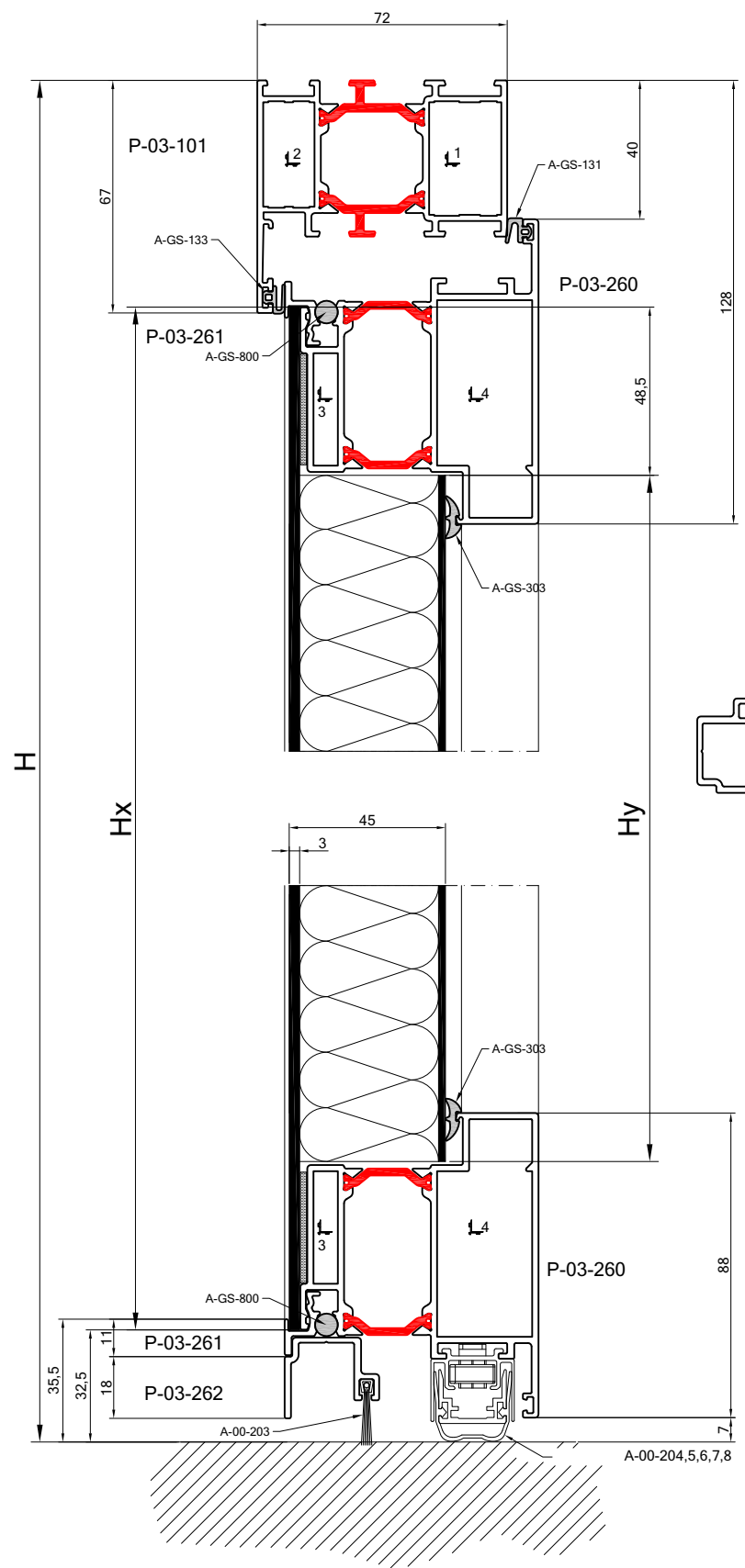
	#
A-GS-133	3B + 4H
A-GS-100	2B + 2H
A-GS-306	2B + 2H
▲ A-00-203	B - 140
● A-00-121	B - 140

	B	H
	B - 260	▲ H - 217
		● H - 220



trolband_enkel_binnen_vleugel

enkele paneel deur naar binnen draaiend
 porte de panneau simple ouvrant intérieur
 single panel door inside opening



		B	#	H	#
P-03-101		B	1	-	-
P-03-101		-	-	H	1
P-03-260		B - 80	2	H - 47	2
P-03-261		B - 116	2	H - 83	2
P-03-262		B - 116	1	-	-
A-00-204,5,6,7,8		B - 127	1	-	-

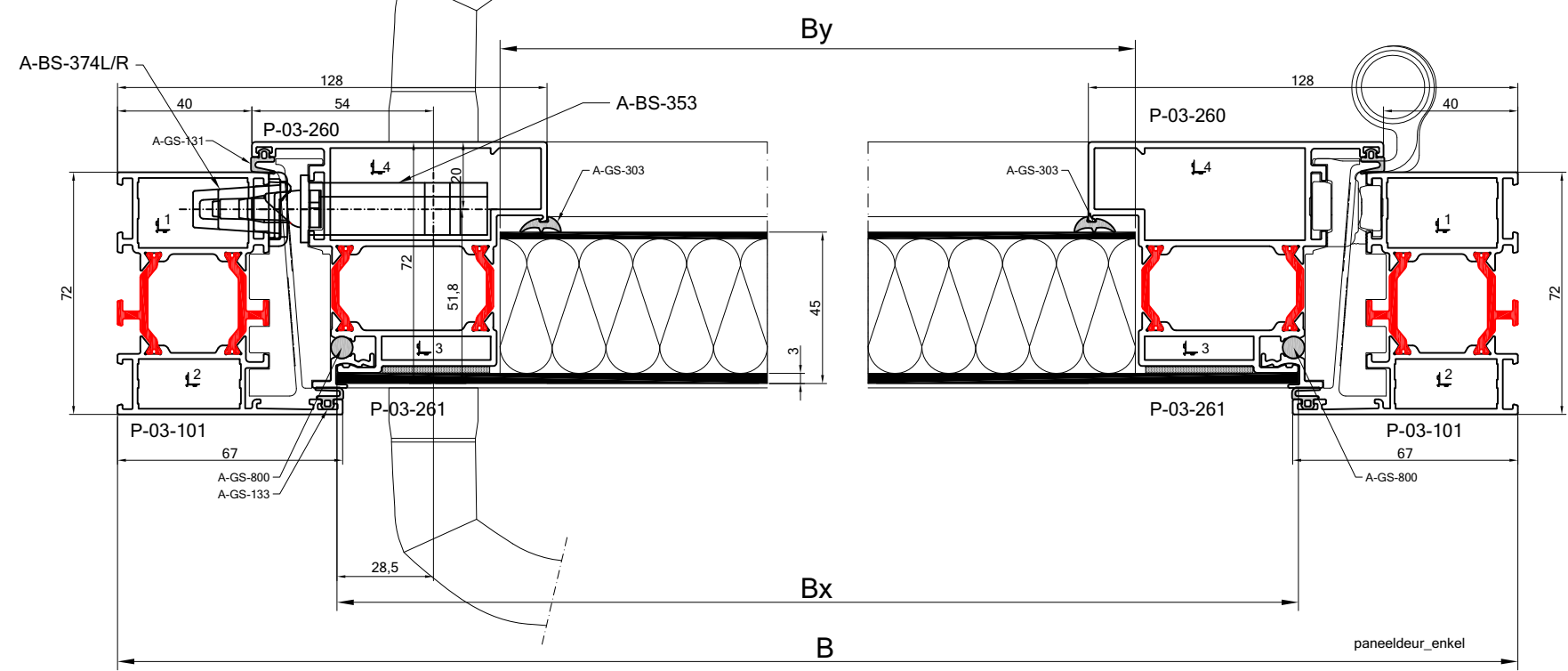
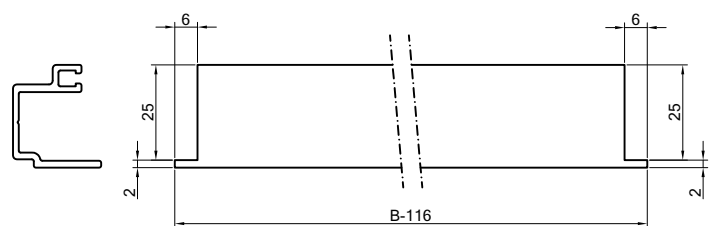
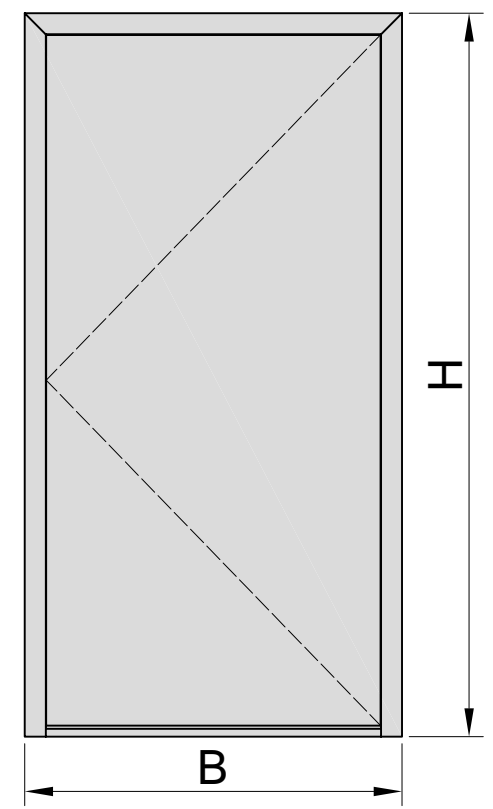
	#
A-00-105	2
A-03-204	1

	B + 2H
A-GS-131	B + 2H
A-GS-133	B + 2H
A-GS-303	2B + 2H
A-GS-800	2B + 2H
A-00-203	B - 127

	P	S	#
1	A-PH-3221	A-SH-3221	2
2	A-PH-3015	A-SH-3015	2
3	A-PH-3207		4
4	A-PH-4727	A-SH-4727	4

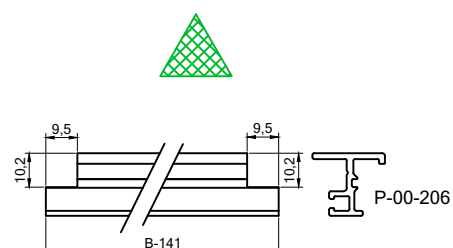
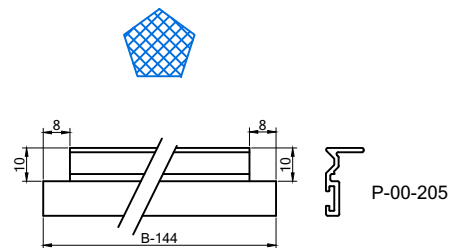
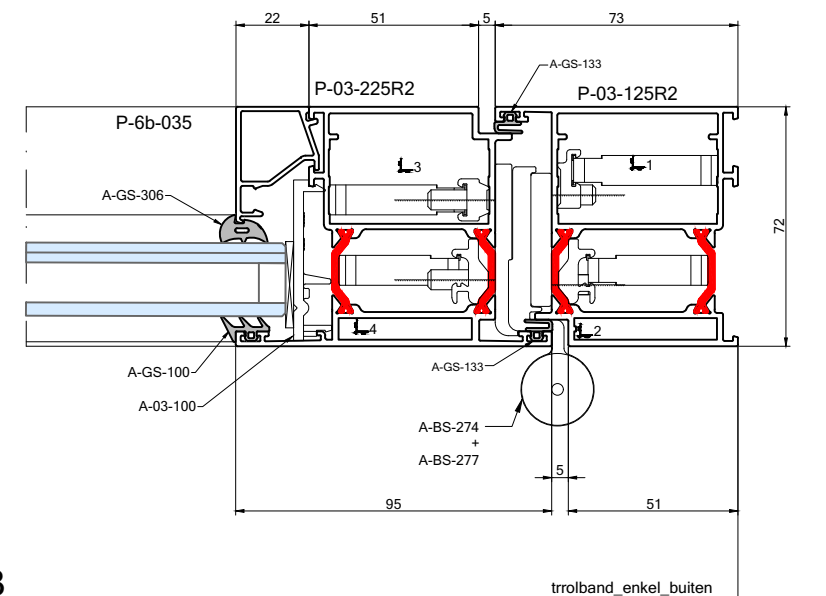
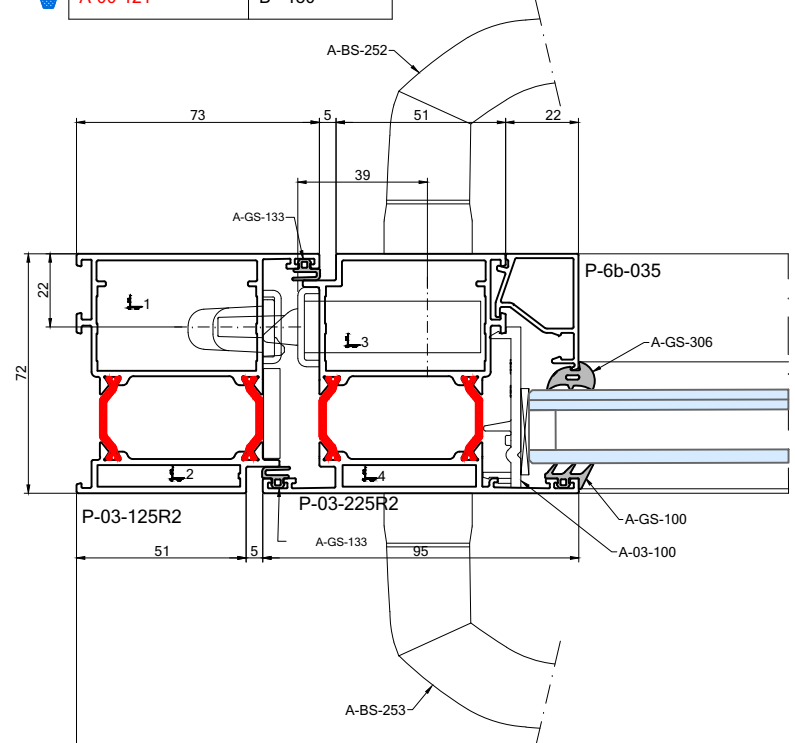
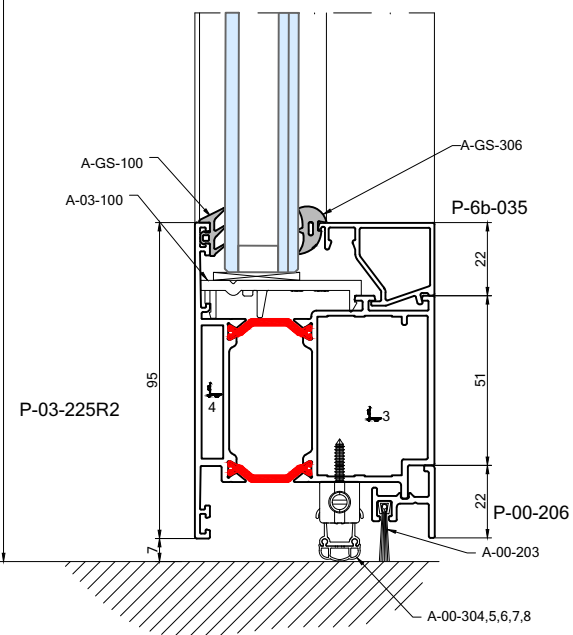
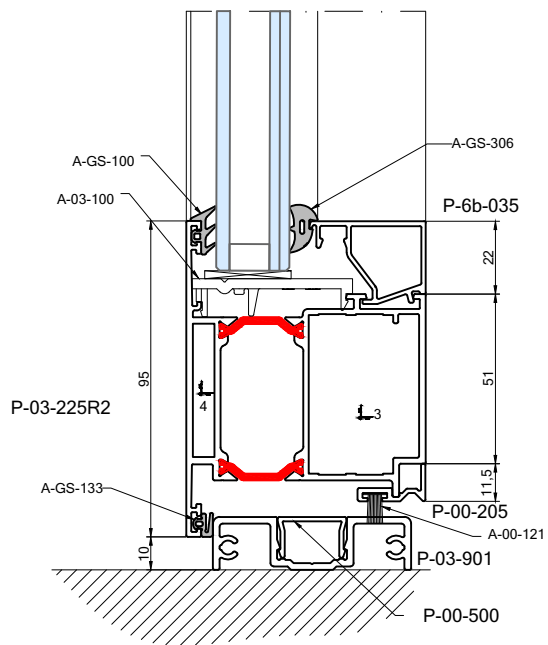
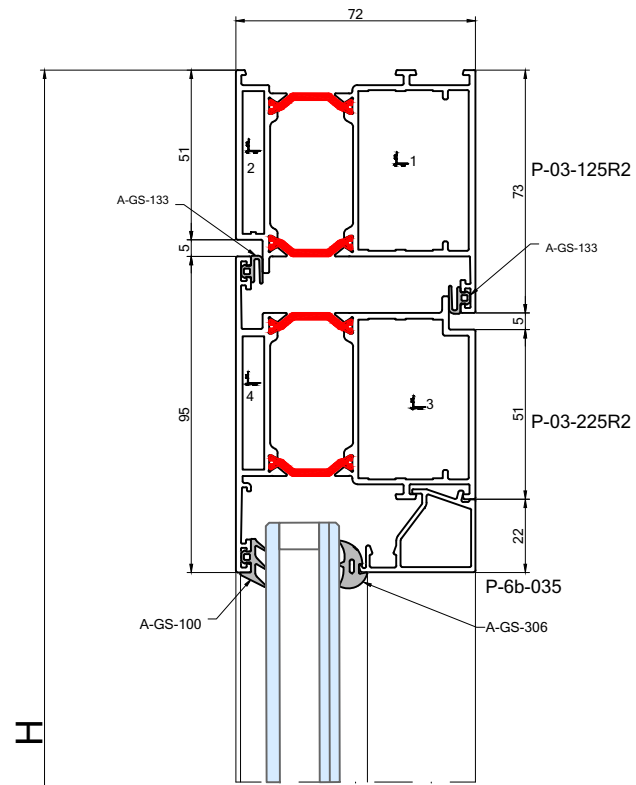
	B	H
Bx	B - 130,5	Hx = H - 97,5
By	B - 227,5	Hy = H - 194,5

	#
A-BS-252	1
A-BS-253	1
A-BS-353	1
A-BS-374L/R	1
A-BF-104	3





vlakke enkele deur naar buiten draaiend
 plat de porte simple ouvrant extérieur
 flat single door outside opening



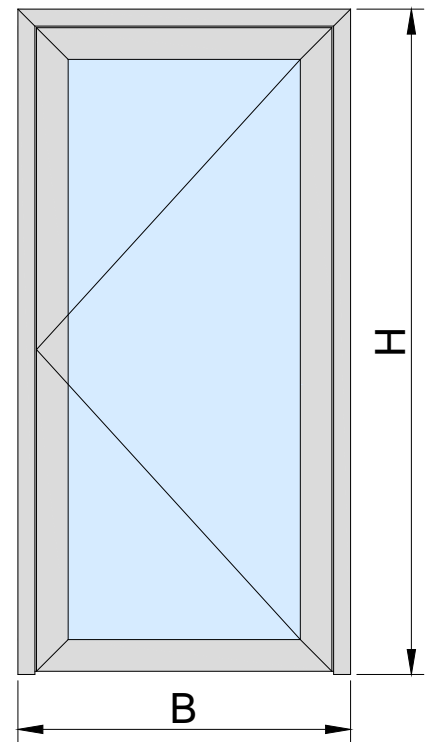
		B	#	H	#
P-03-125R2		B	1	-	-
P-03-125R2		-	-	H	1
P-03-225R2		B - 112	2	▲ H - 63	2
				● H - 66	2
● P-03-901		B - 122	1	-	-
● P-00-500		B - 122	1	-	-
● P-00-205		B - 144	1	-	-
▲ P-00-206		B - 141	1	-	-
P-6b-035		B - 258	2	▲ H - 253	2
				● H - 256	2
▲ A-00-304,5,6,7,8		B - 147	1	-	-

	#
A-00-105	4
● A-00-210	1
▲ A-00-211	1
A-03-100	4
▲ A-03-260	2
● A-03-901	2
A-03-242R2	1

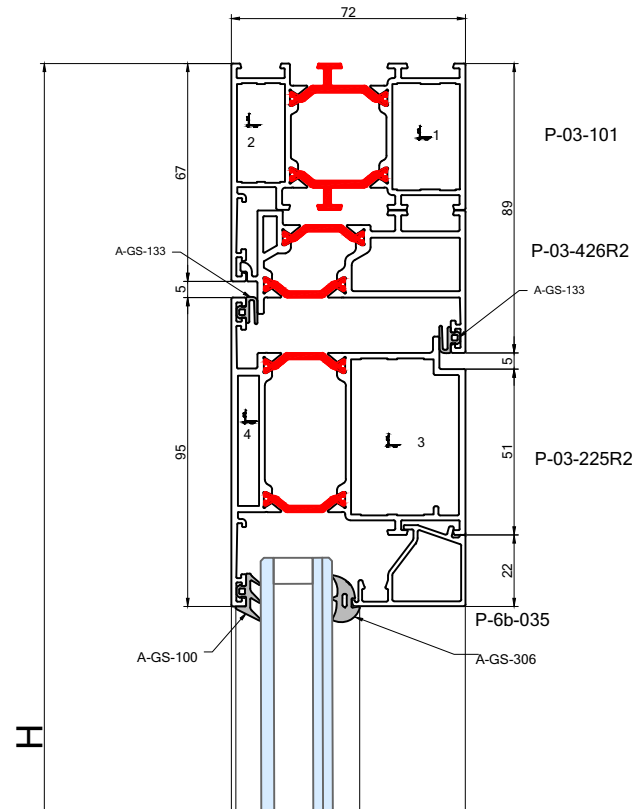
	P	S	#
1	A-PH-4725	A-SH-4724	2
2	A-PH-4006	-	2
3	A-PH-4725	A-SH-4725	4
4	A-PH-4006	-	4

	#
A-BS-252	1
A-BS-253	1
A-BS-359	1
A-BS-374L/R	1
A-BS-274	2
A-BS-277	2

	B	H
A-GS-100	2B + 2H	
A-GS-133	3B + 4H	
A-GS-306	2B + 2H	
▲ A-00-203	B - 150	▲ H - 223
● A-00-121	B - 150	● H - 226



vlakke enkele deur naar buiten draaiend
 plat de porte simple ouvrant extérieur
 flat single door outside opening



		B	#	H	#
P-03-101		B	1	-	-
P-03-101		-	-	H	1
P-03-225R2		B - 144	2	▲ H - 79	2
P-03-426R2		B - 90	1	● H - 82	2
P-03-426R2		-	-	H - 45	2
P-03-901		B - 154	1	-	-
P-00-500		B - 154	1	-	-
P-00-205		B - 176	1	-	-
P-00-206		B - 173	1	-	-
P-6b-035		B - 290	2	▲ H - 269	2
A-00-304,5,6,7,8		B - 179	1	● H - 272	2

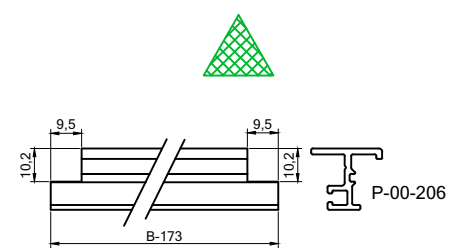
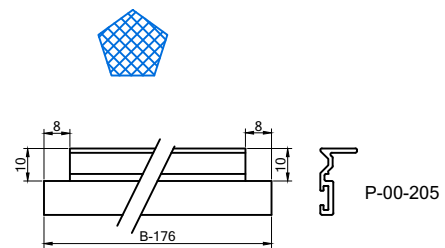
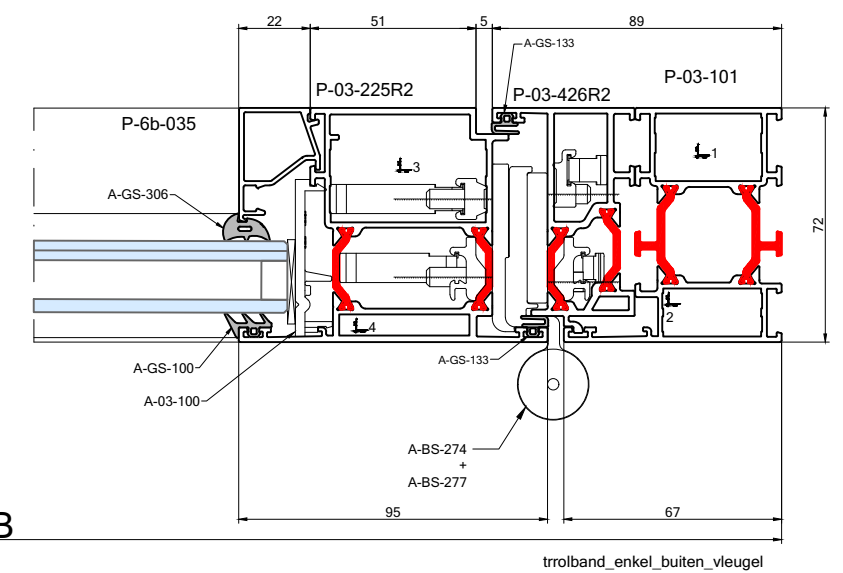
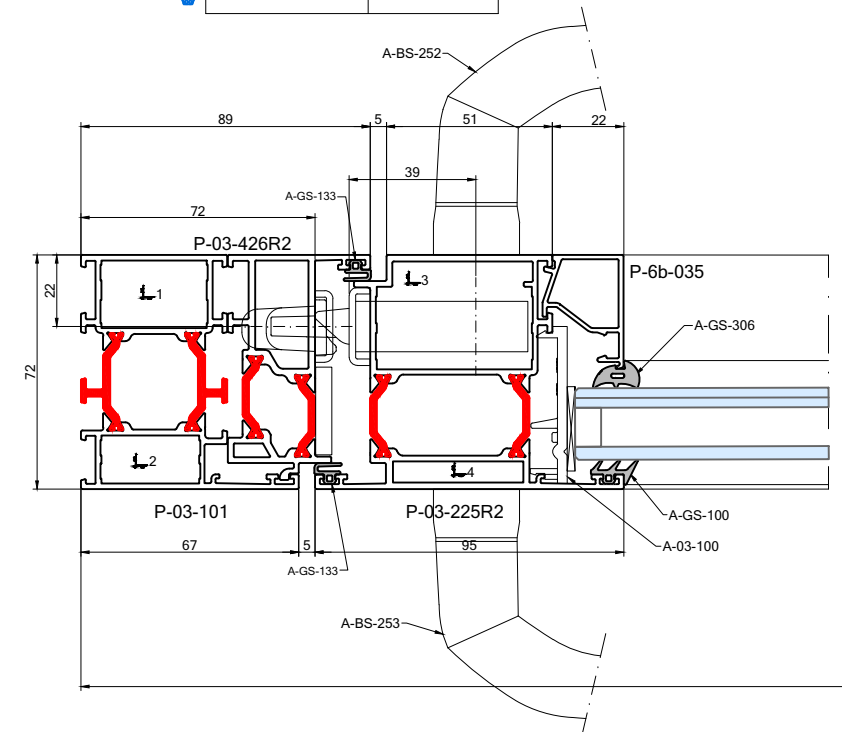
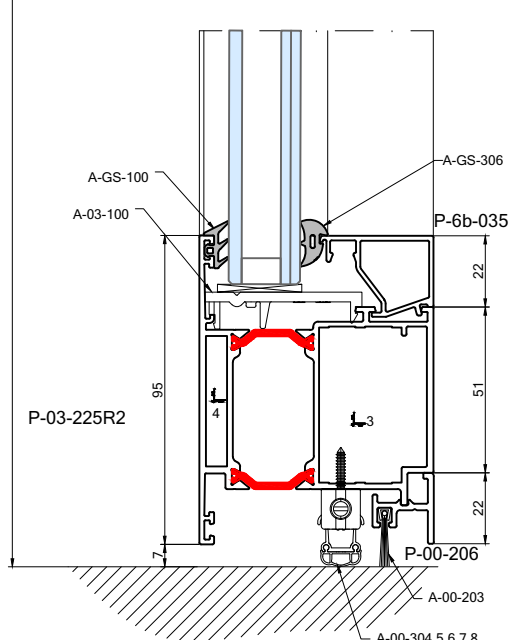
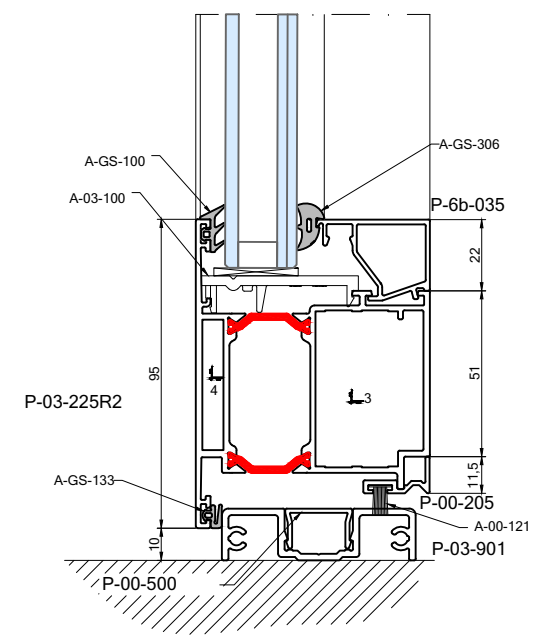
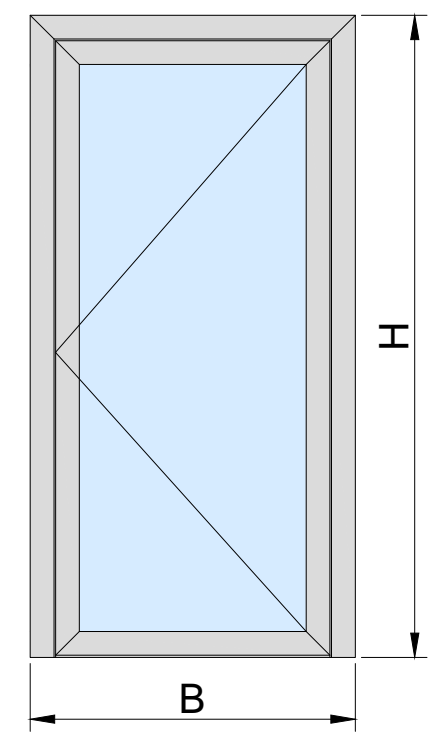
	#
A-00-105	4
A-00-210	1
A-00-211	1
A-03-100	4
A-03-260	2
A-03-901	2
A-03-242R2	1

	P	S	#
1	A-PH-3221	A-SH-3221	2
2	A-PH-3015	A-SH-3015	2
3	A-PH-4725	A-SH-4725	4
4	A-PH-4006	-	4

	#
A-BS-252	1
A-BS-253	1
A-BS-359	1
A-BS-374L/R	1
A-BS-274	2
A-BS-277	2

	#
A-GS-133	3B + 4H
A-GS-100	2B + 2H
A-GS-306	2B + 2H
A-00-203	B - 180
A-00-121	B - 180

	B	H
B - 304	▲ H - 239	● H - 242

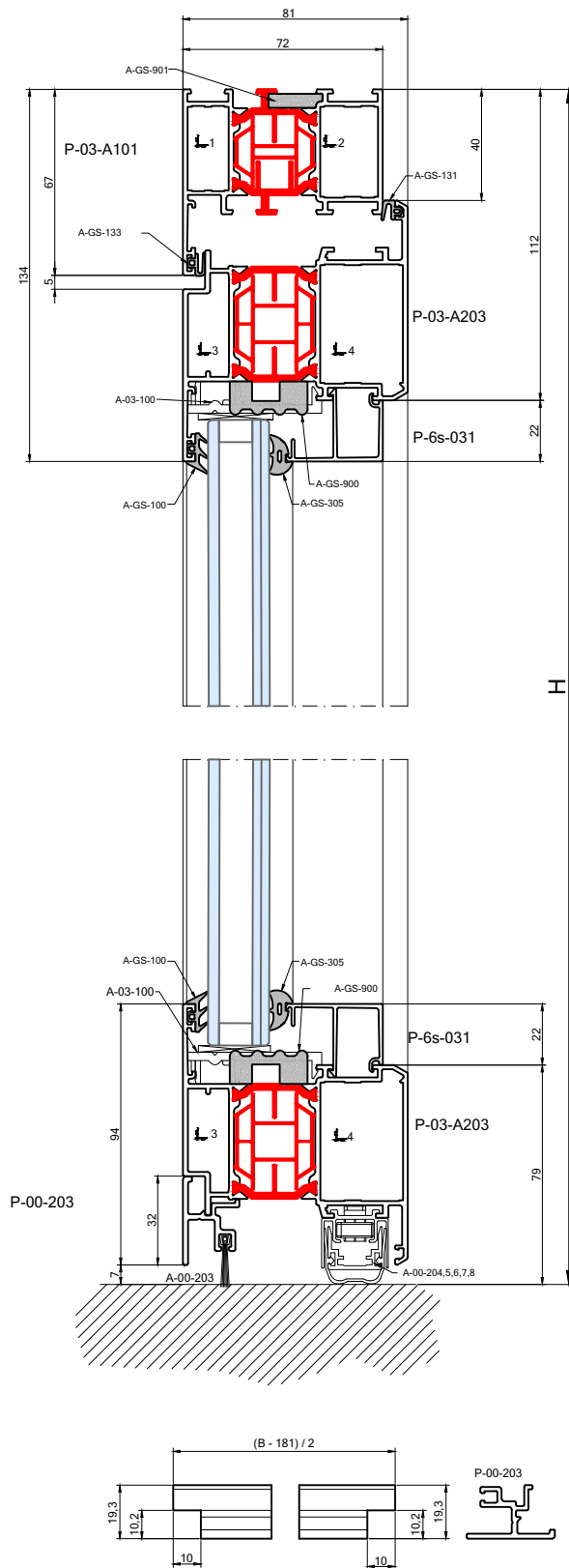


trolband_enkel_buiten_vleugel

CUTTING LIST



dubbele deur naar binnen draaiend
 porte double ouvrant interieur
 double door inside opening



		B	#	H	#
P-03-A101		B	1	-	-
P-03-A101		-	-	H	1
P-03-A203		(B - 85) / 2	4	H - 47	4
P-03-A400		-	-	H - 81	1
P-6s-035		(B - 373) / 2	4	H - 235	4
P-00-203		(B - 181) / 2	2	-	-
A-00-204,5,6,7,8		(B - 171) / 2	2	-	-

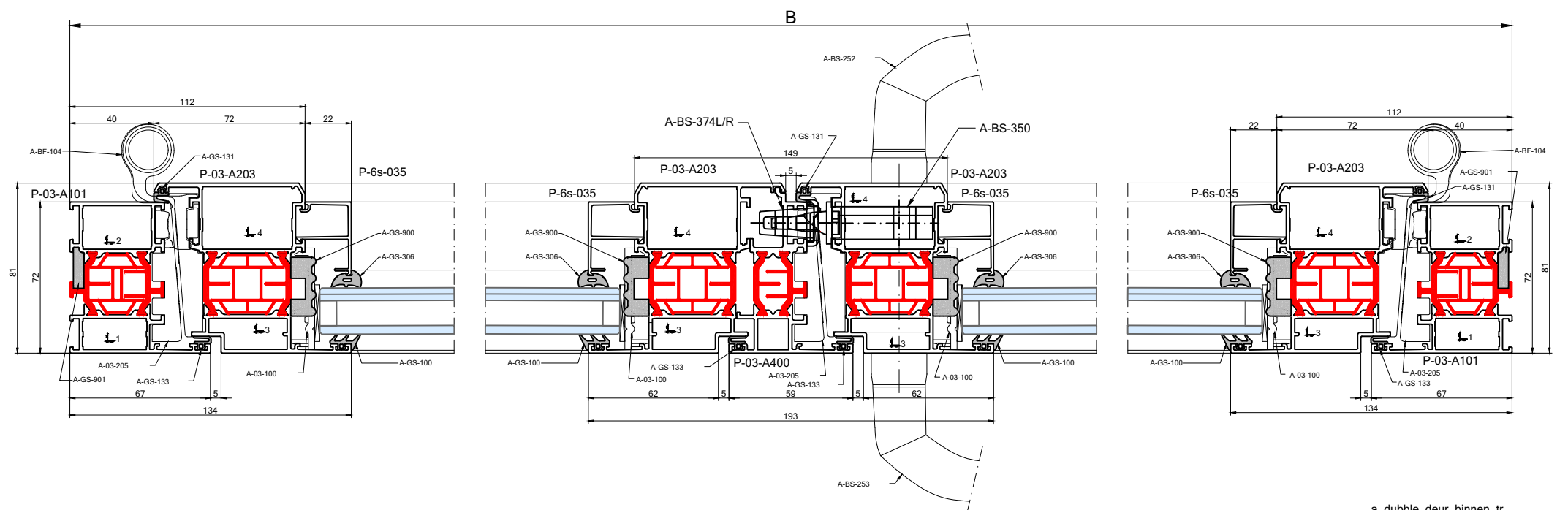
	#
A-00-105	10
A-00-710	2
A-03-100	8
A-03-203	1
A-03-205	1

	P	S	#
1	A-PH-3015	A-SH-3015	2
2	A-PH-3221	A-SH-3221	2
3	A-PH-3706		8
4	A-PH-4230	A-SH-4230	8

	#
A-BS-252	1
A-BS-253	1
A-BS-260	2
A-BS-261	1
A-BS-262	1
A-BS-350	1
A-BS-374L/R	1
A-BF-104	6

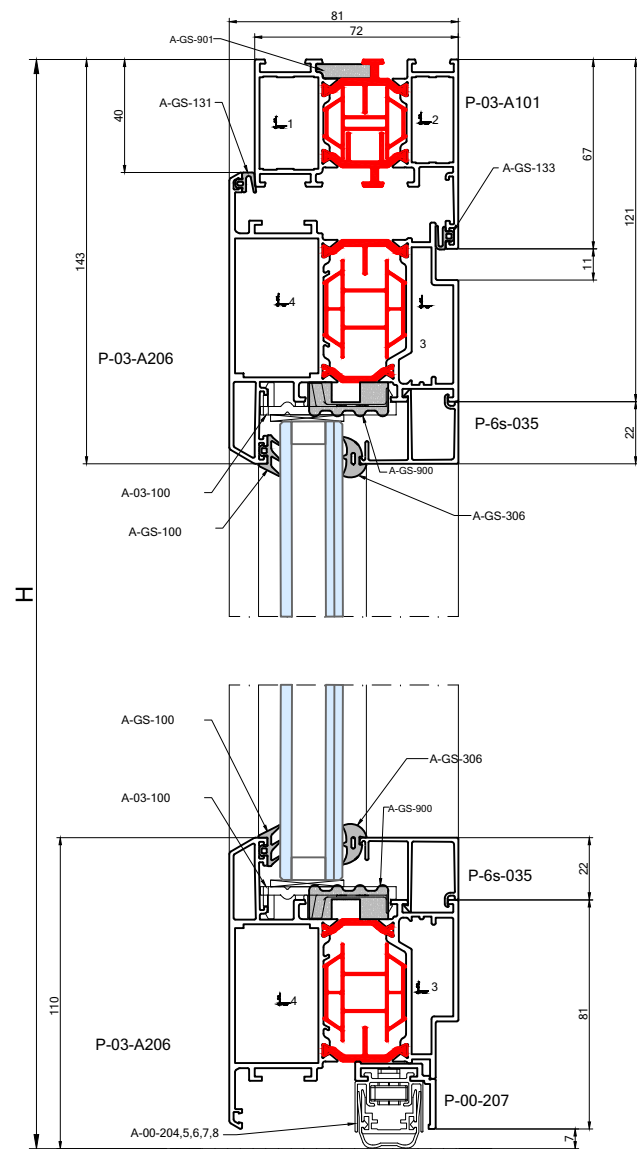
A-GS-131	B + 3
A-GS-133	B + 4H
A-GS-100	2B + 4H
A-GS-306	2B + 4H
A-GS-900	2B + 4H
A-GS-901	1B + 2H
A-00-203	(B + 15) / 2
A-00-203	(B - 153) / 2

	B	H
	(B - 401) / 2	H - 205
	(B - 401) / 2	H - 205



a_dubbele_deur_binnen_tr

dubbele deur naar buiten draaiend
 porte double ouvrant exterieur
 double door outside opening



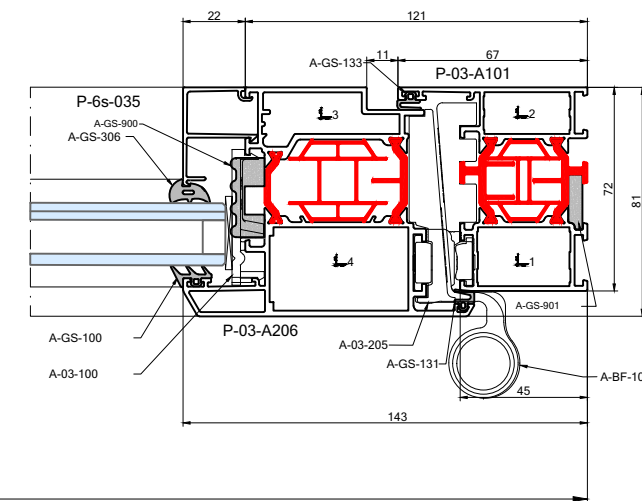
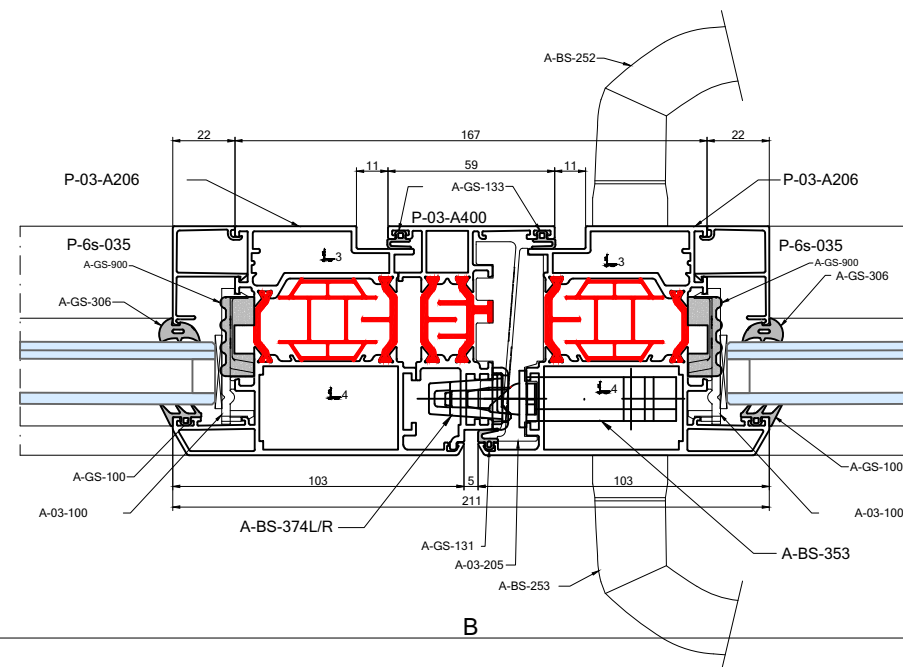
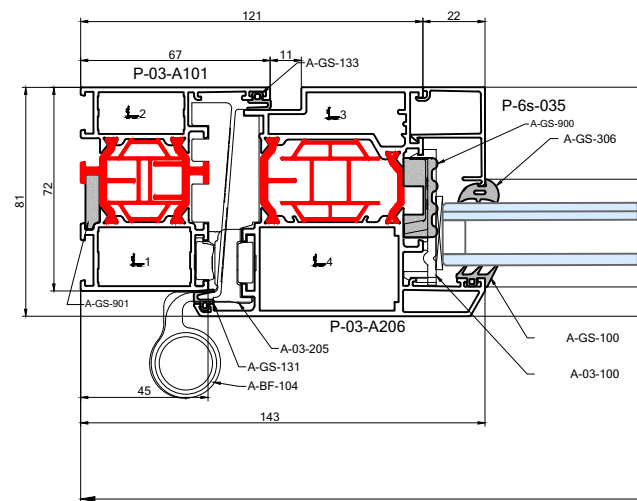
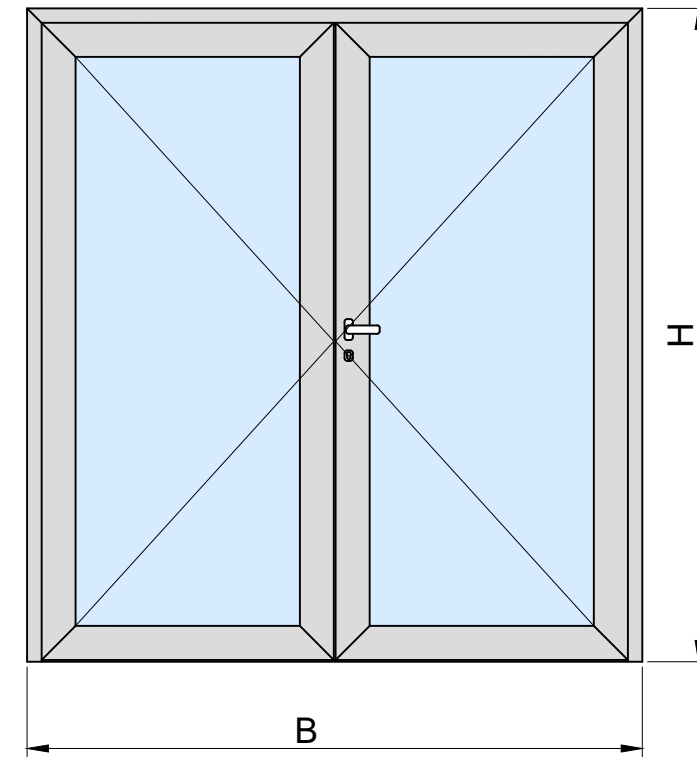
		B	#	H	#
P-03-A101		B	1	-	-
P-03-A101		-	-	H	1
P-03-A206		(B - 85) / 2	4	H - 47	4
P-03-A400		-	-	H - 81	1
P-6s-035		(B - 409) / 2	4	H - 253	4
P-00-207		(B - 156) / 2	2	-	-
A-00-204,5,6,7,8		(B - 171) / 2	2	-	-

	#	P	S	#	
A-00-105	10				
A-03-100	8	1	A-PH-3015	A-SH-3015	2
A-03-203	1	2	A-PH-3221	A-SH-3221	2
A-03-205	1	3	A-PH-4707		8
		4	A-PH-4730	A-SH-4730	8

	B	H
	(B - 437) / 2	H - 223
	(B - 437) / 2	H - 223

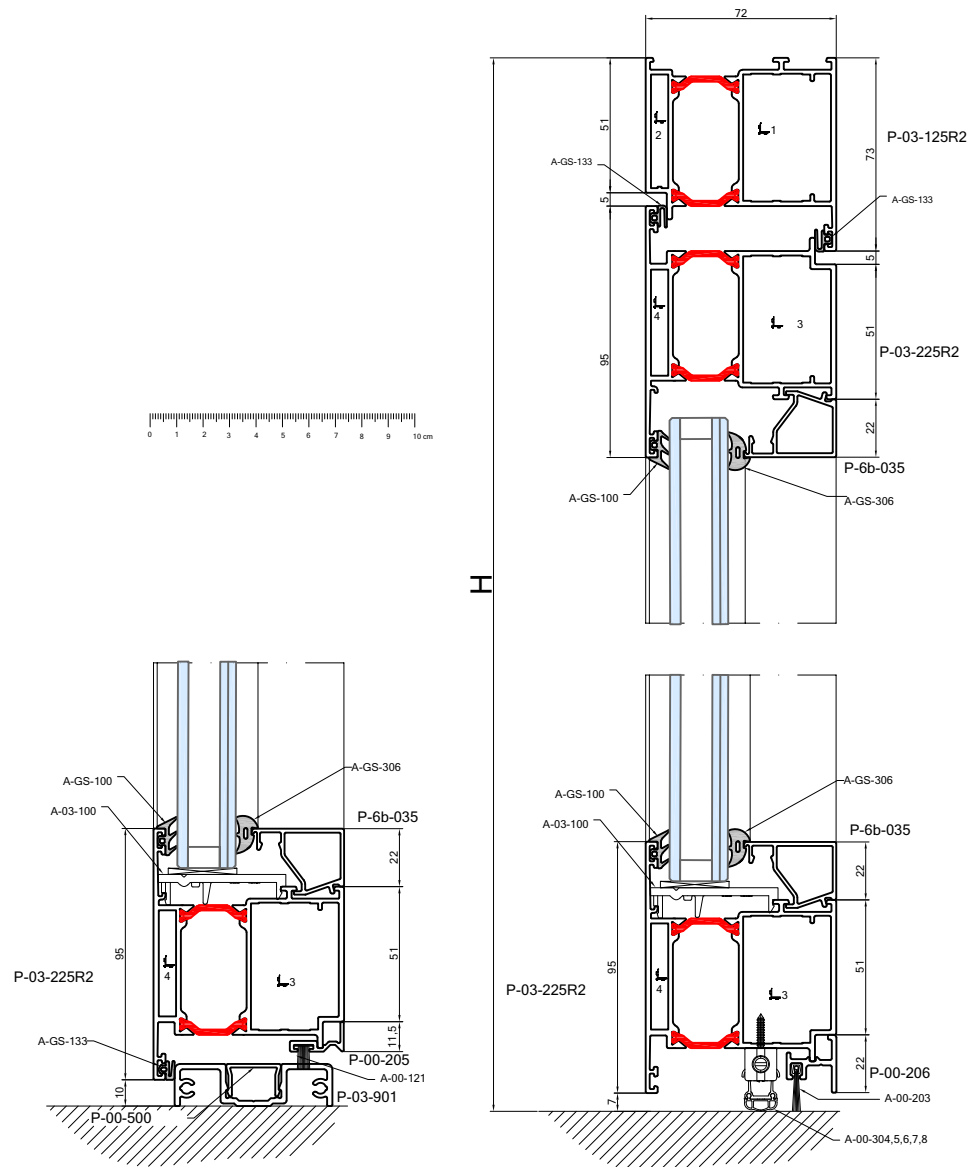
	#
A-BS-252	2
A-BS-253	2
A-BS-260	2
A-BS-261	1
A-BS-262	1
A-BS-353	1
A-BS-374L/R	1
A-BF-104	6

A-GS-131	B + 3H
A-GS-133	B + 4H
A-GS-100	2B + 4H
A-GS-306	2B + 4H
A-GS-900	2B + 4H
A-GS-901	B + 2H



a_dubbele_deur_buiten_tr

vlakke dubbele deur naar buiten draaiend
 plat de porte double ouvrant extérieur
 flat double door outside opening



		B	#	H	#
P-03-125R2		B	1	-	-
P-03-125R2		-	-	H	1
P-03-225R2		(B - 95) / 2	4	▲ H - 63	3
P-03-224R2		-	-	▲ H - 63	1
P-03-901		B - 122	1	● H - 66	3
P-00-500		B - 122	1	-	-
P-00-205		(B - 160) / 2	1	-	-
P-00-206		(B - 131) / 2	1	-	-
P-00-206		(B - 153) / 2	1	-	-
P-00-206		(B - 128) / 2	1	-	-
P-6b-035		(B - 387) / 2	4	▲ H - 253	4
P-6b-035		(B - 387) / 2	4	● H - 256	4
A-00-304,5,6,7,8		(B - 163) / 2	2	-	-

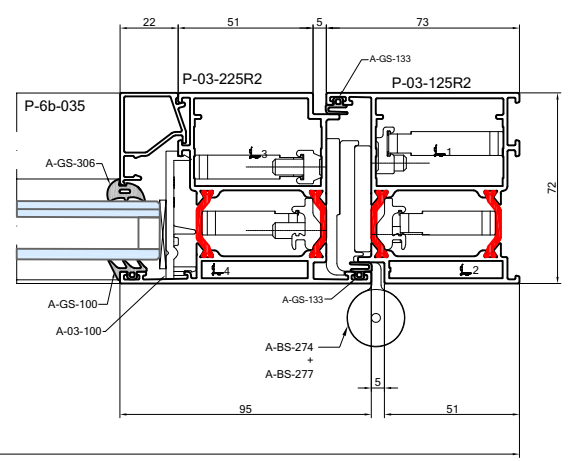
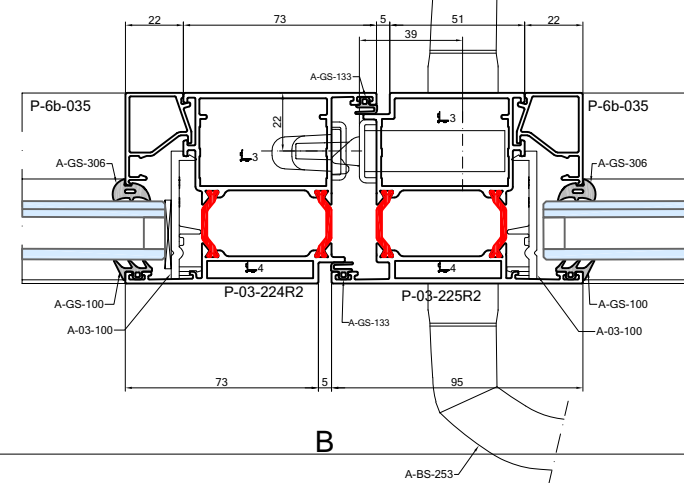
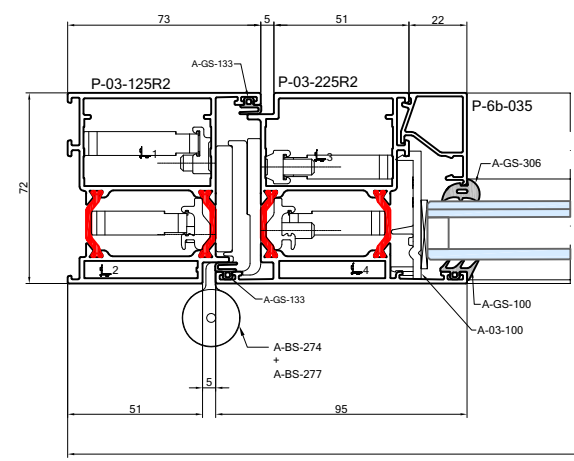
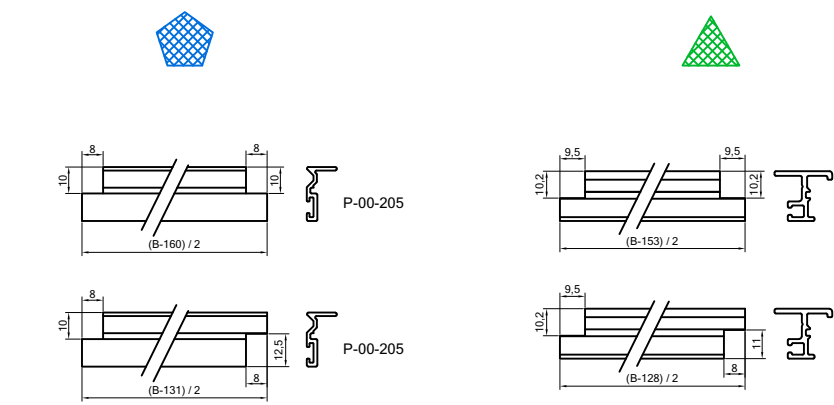
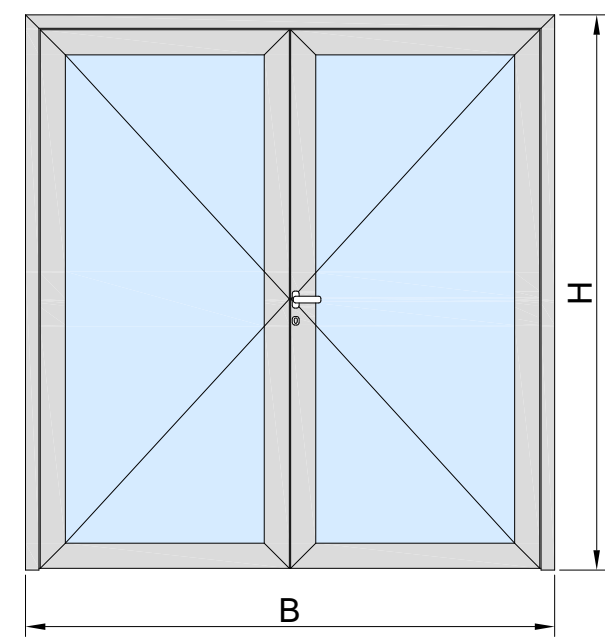
	#
A-00-105	8
● A-00-210	2
▲ A-00-211	2
A-03-100	8
▲ A-03-260	2
A-03-262	1
● A-03-901	2

	P	S	#
1	A-PH-4725	A-SH-4724	2
2	A-PH-4006	-	2
3	A-PH-4725	A-SH-4725	8
4	A-PH-4006	-	8

	#
A-BS-252	1
A-BS-253	1
A-BS-359	1
A-BS-374L/R	1
A-BS-274	4
A-BS-277	4
▲ A-BF-113	1
A-BF-115	2
▲ A-BS-261	1
● A-BS-261	2

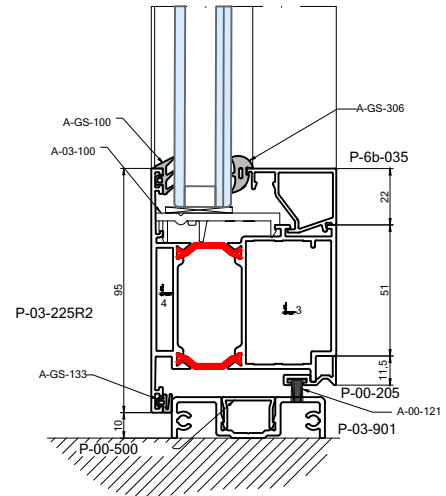
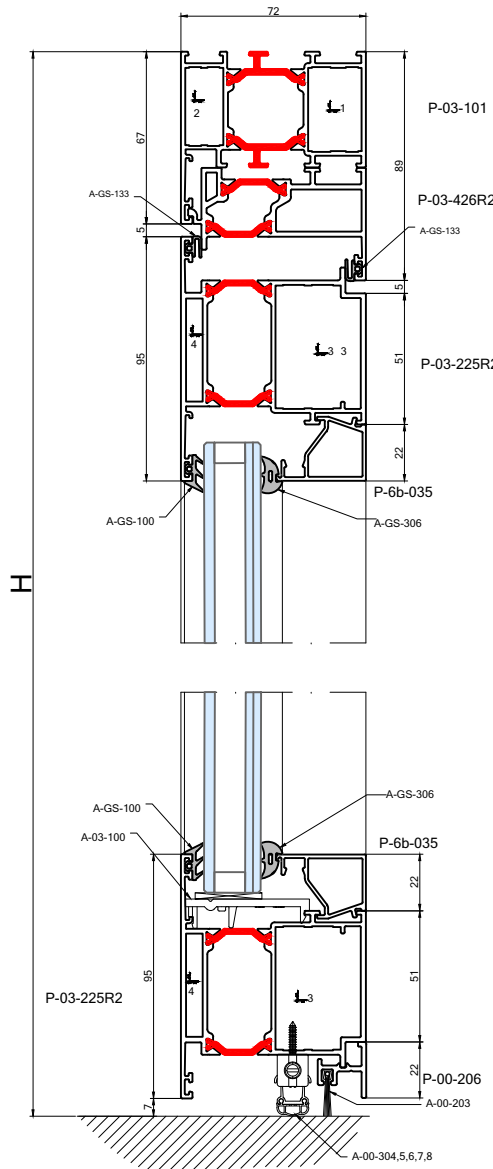
A-GS-100	2B + 4H
A-GS-133	3B + 6H
A-GS-306	2B + 4H
▲ A-00-203	(B - 193) / 2
● A-00-121	(B - 193) / 2

	B	H
	(B - 415) / 2	▲ H - 223
	(B - 415) / 2	● H - 226
	(B - 415) / 2	▲ H - 223
	(B - 415) / 2	● H - 226



trolband_dubbel_buiten

vlakke dubbele deur naar buiten draaiend
 plat de porte double ouvrant extérieur
 flat double door outside opening



		B	#	H	#
P-03-101		B	1	-	-
P-03-101		-	-	H	1
P-03-225R2		B - 149	4	▲ H - 79	4
P-03-425		-	-	● H - 82	4
P-03-426R2		-	-	▲ H - 103	1
P-03-426R2		B - 90	1	● H - 130	1
P-03-426R2		-	-	-	-
P-03-901		B - 154	1	-	-
P-00-500		B - 154	1	-	-
P-00-205		(B - 216) / 2	1	-	-
P-00-205		(B - 213) / 2	1	-	-
P-00-206		(B - 213) / 2	1	-	-
P-00-206		(B - 207) / 2	1	-	-
P-6b-035		(B - 441) / 2	4	▲ H - 269	4
P-6b-035		(B - 441) / 2	4	● H - 272	4
A-00-304,5,6,7,8		(B - 218) / 2	2	-	-

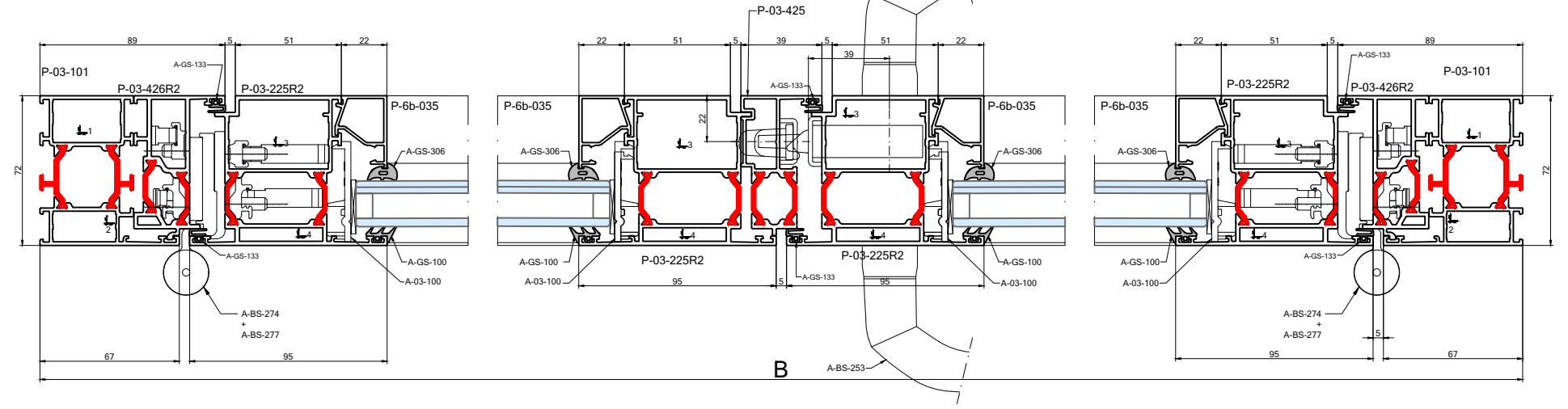
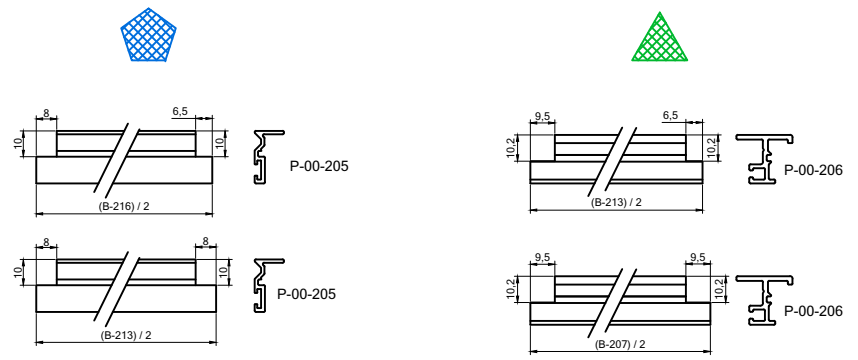
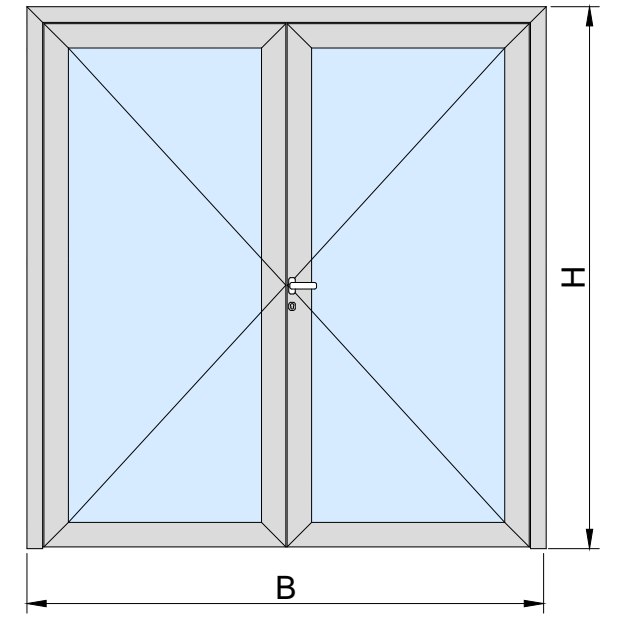
	#
A-00-105	10
● A-00-210	2
▲ A-00-211	2
A-03-100	8
▲ A-03-260	2
A-03-262	1
● A-03-901	2
A-03-225	1

	P	S	#
1	A-PH-3221	A-SH-3221	2
2	A-PH-3015	A-SH-3015	2
3	A-PH-4725	A-SH-4725	8
4	A-PH-4006	-	8

	#
A-BS-252	1
A-BS-253	1
A-BS-359	1
A-BS-384L/R	1
A-BS-274	4
A-BS-277	4
▲ A-BF-113	1
A-BF-115	2
▲ A-BS-261	1
● A-BS-261	2

	#
A-GS-100	2B + 4H
A-GS-133	3B + 6H
A-GS-306	2B + 4H
▲ A-00-203	(B - 225) / 2
● A-00-121	(B - 225) / 2

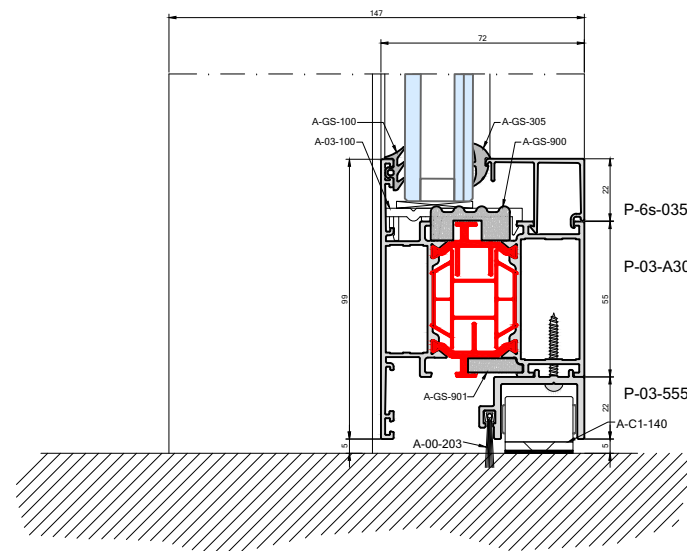
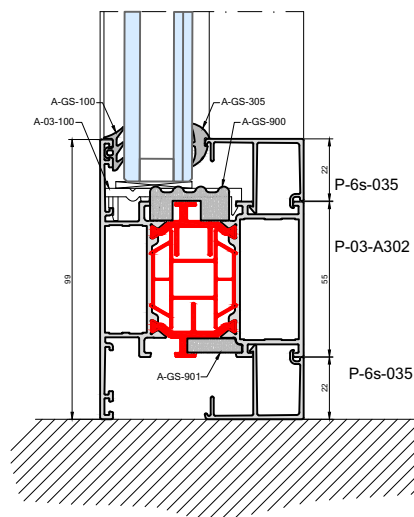
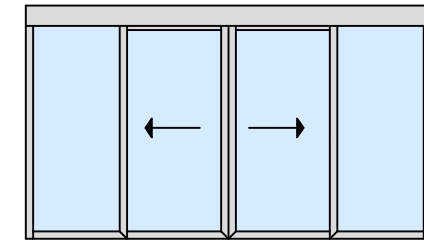
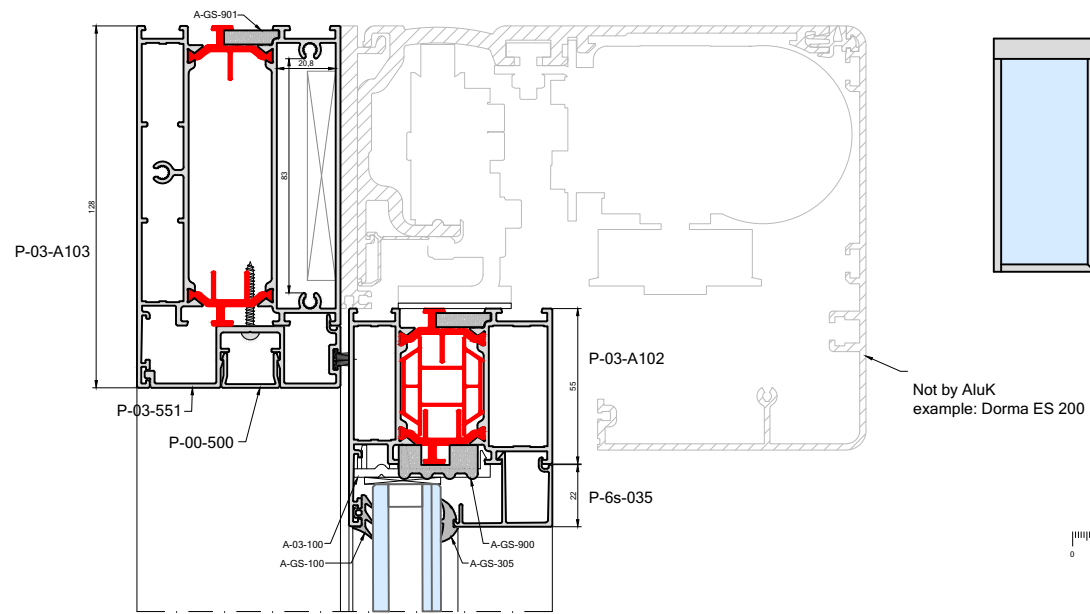
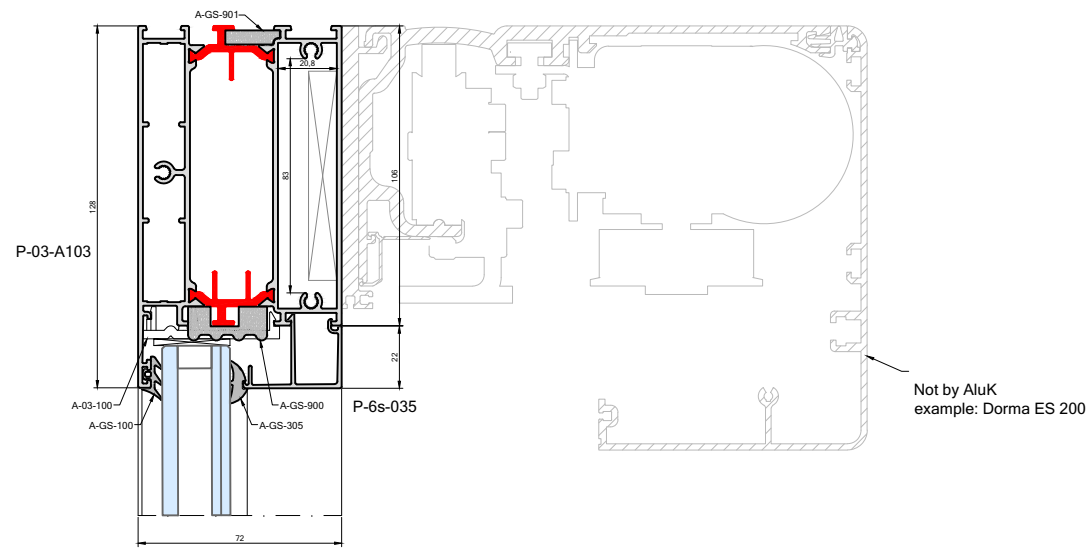
	B	H
(B - 469) / 2	▲ H - 239	● H - 242
(B - 469) / 2	▲ H - 239	● H - 242



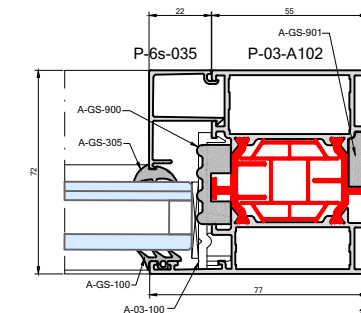
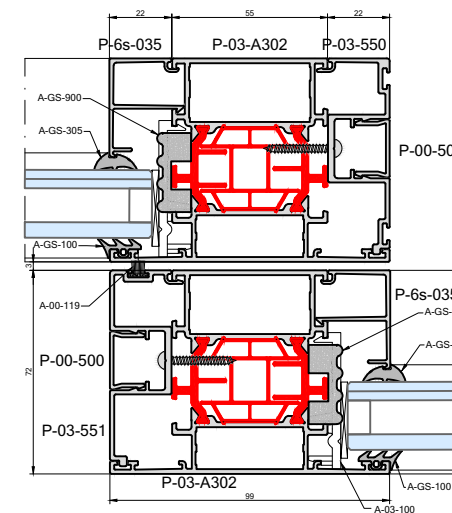
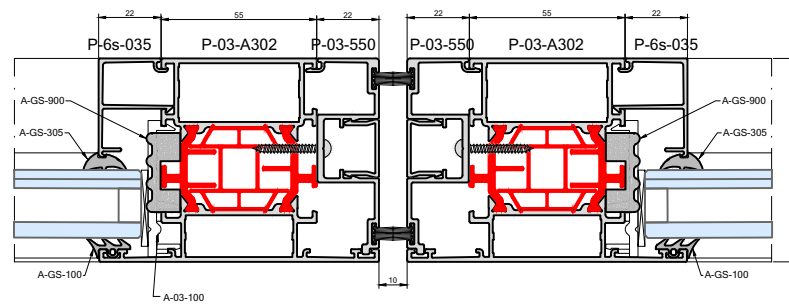
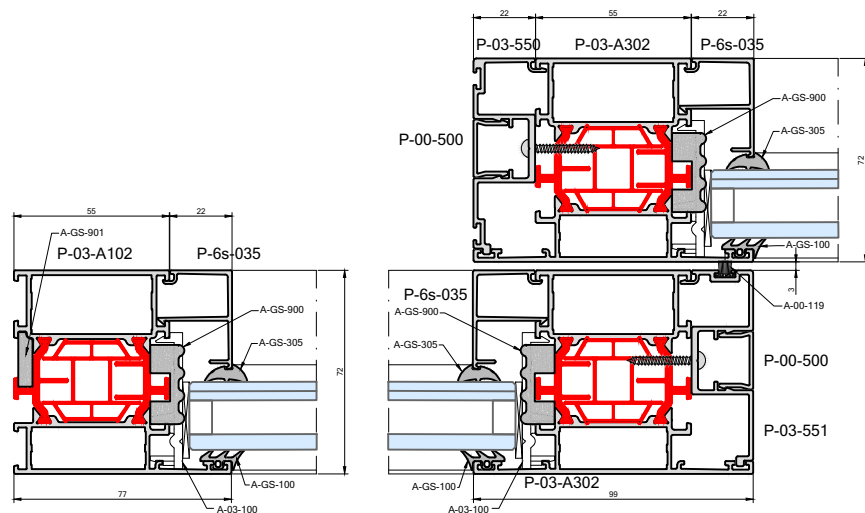
trolband_dubbel_buiten_vleugel



Automatische schuifdeur
 Porte coulissante automatic
 Automatic sliding door

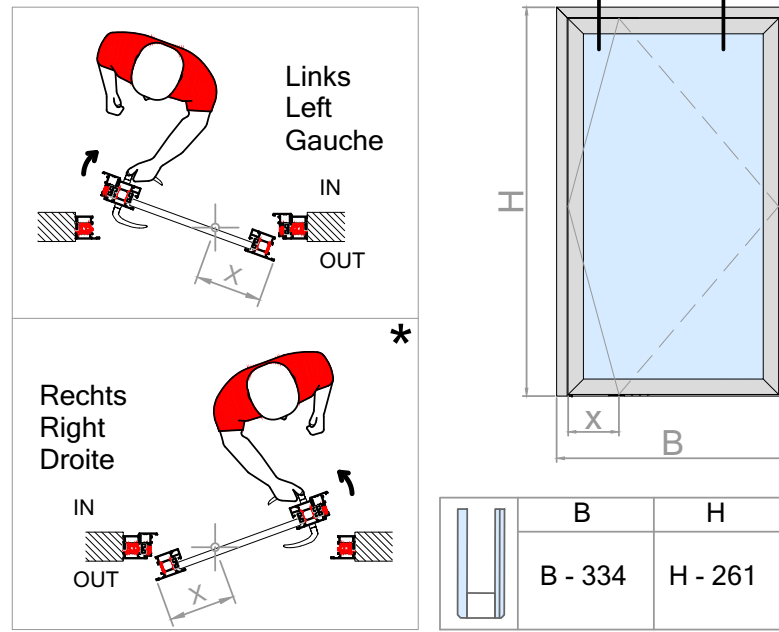


Example



a_automatischeur_tr

	#
A-03-100	4
A-00-105	10
A-03-249L/R *	1
A-BR-787900	1
A-BR-729727 / 729728*	1
A-BR-729733	2
A-BZ-001	1
A-BZ-002	1
A-BZ-003L/R *	1
A-BZ-004	1



		B	#
P-03-A102		B	1
		-	-
P-03-B302		B - 166	2
P-03-A405		-	-
P-03-A405		-	-
P-03-A405		B - X - 61,5	1
P-03-A405		X + 104,5	1
P-6S-031		B - 320	2
P-00-101		B - 210	1

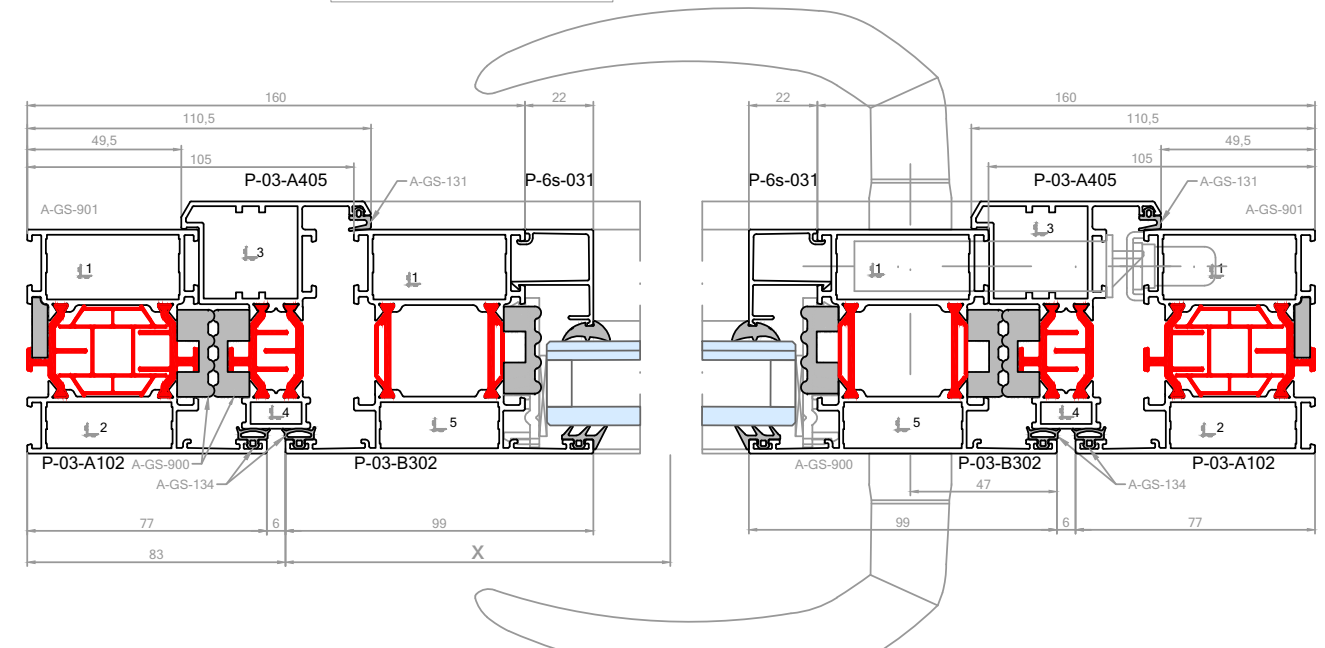
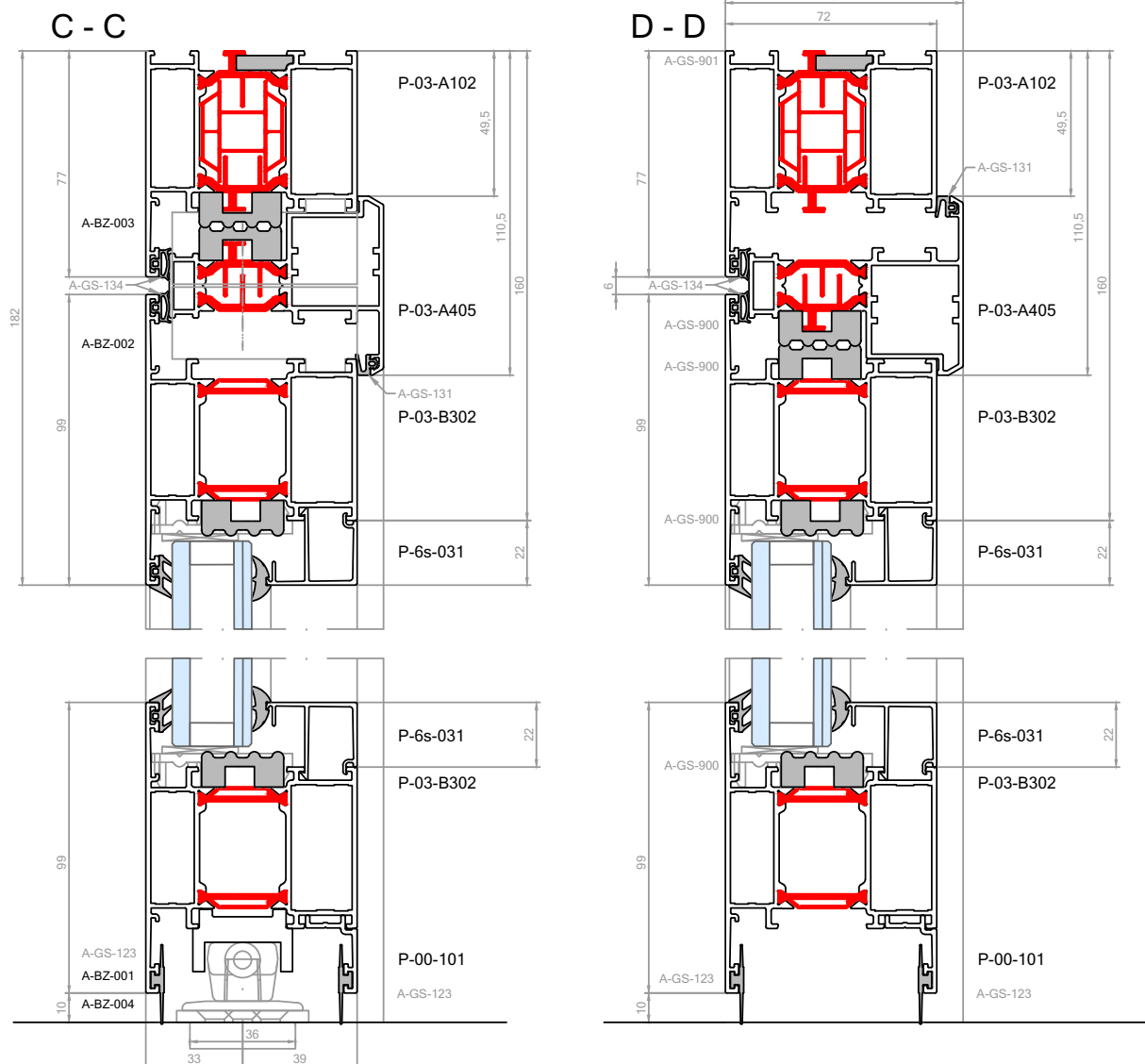
H	#
-	-
H	1
H - 93	2
H - 49.5	1
H - 59.5	1
-	-
-	-
H - 291	2
-	-

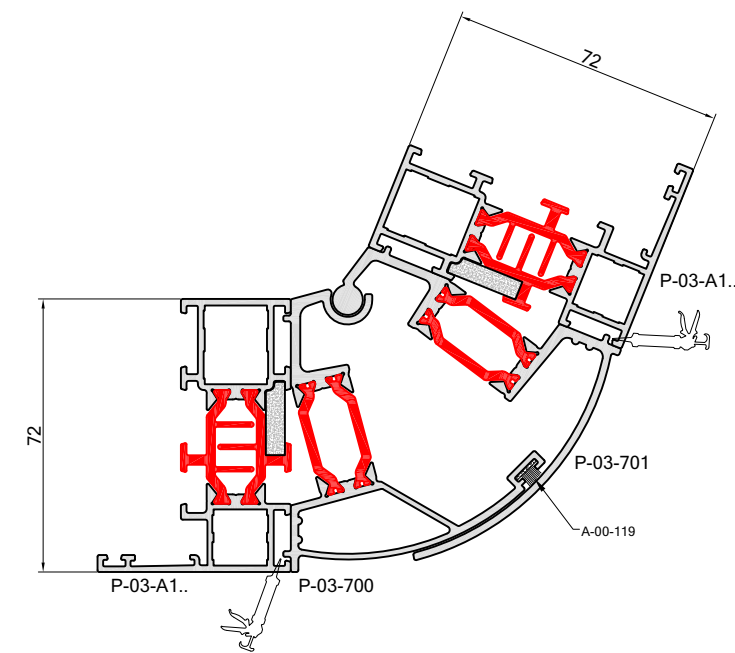
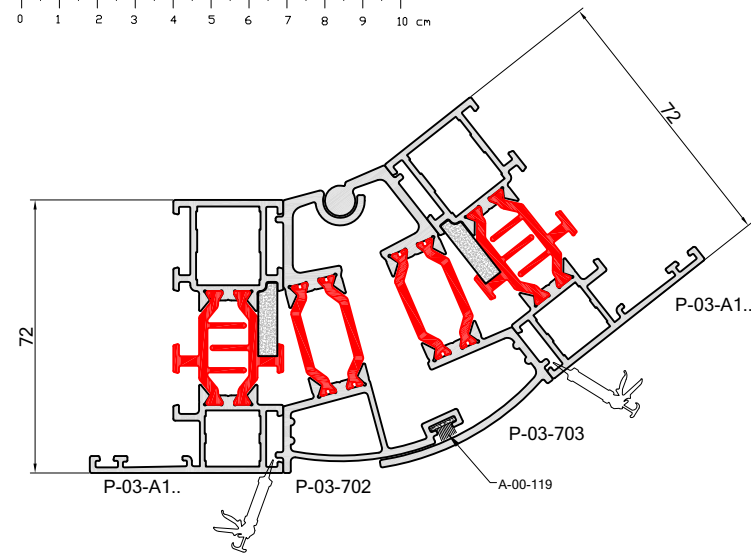
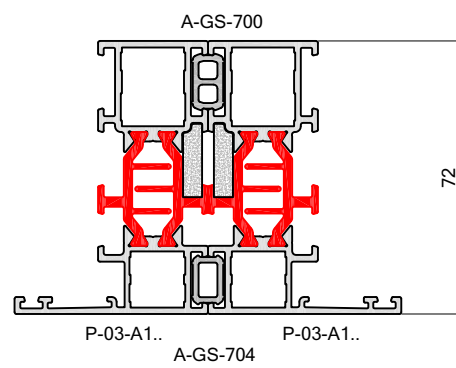
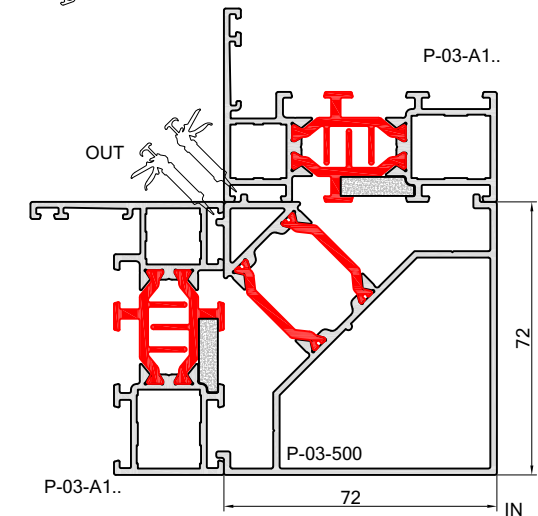
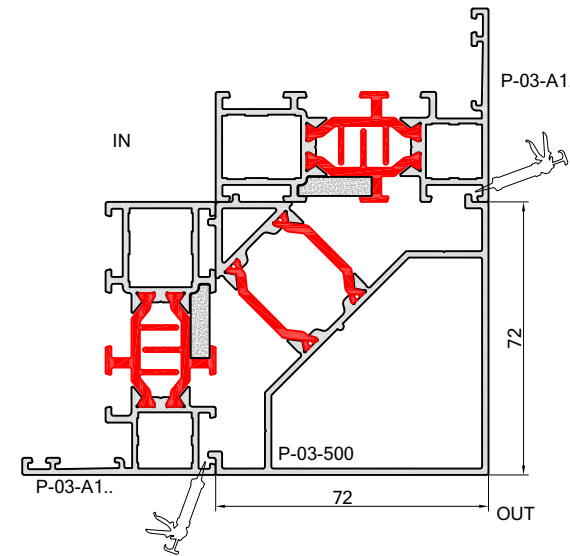
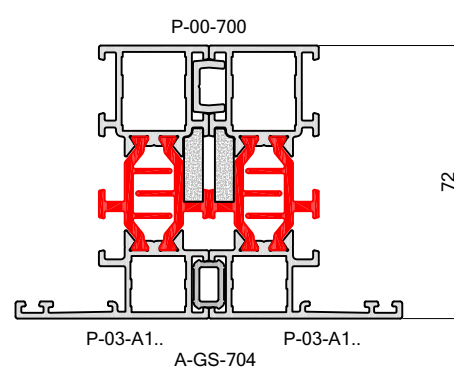
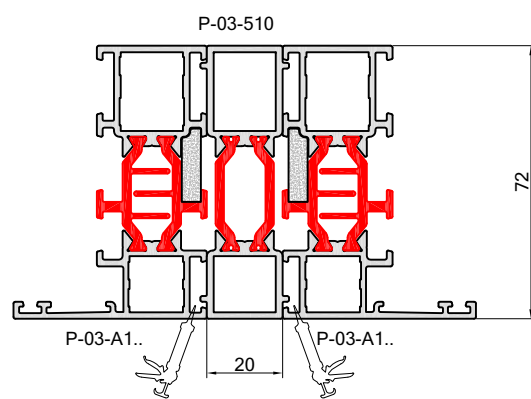
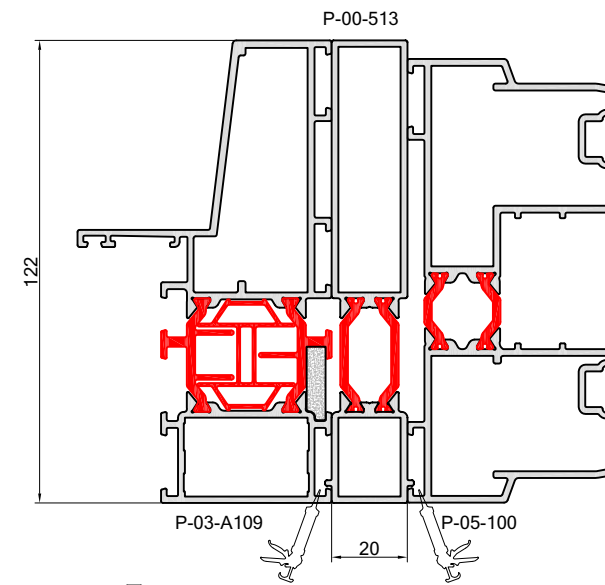
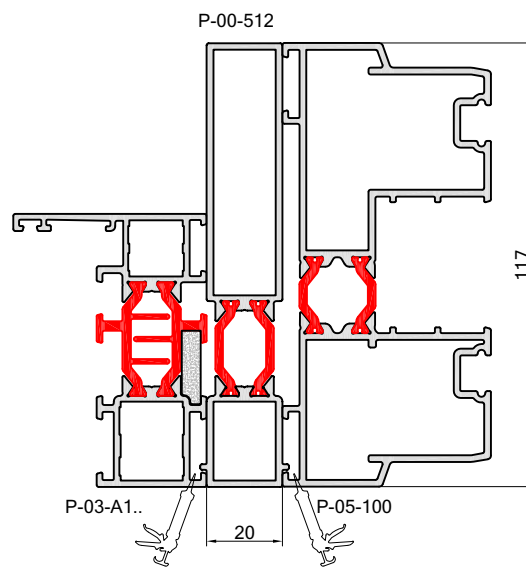
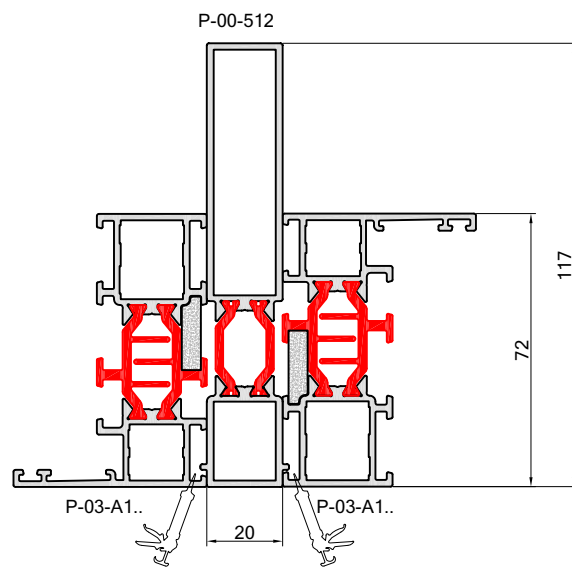
A-GS-123	2B
A-GS-134	2B + 4H
A-GS-131	1B + 2H
A-GS-100	2B + 2H
A-GS-305	2B + 2H
A-GS-900	4B + 6H
A-GS-901	1B + 2H

	P	S	#
1	A-PH-4221	A-SH-4221	6
2	A-PH-4015	A-SH-4015	2
3	A-PH-3025	A-SH-3025	2
4	A-PH-1607	-	4
5	A-PH-3715	-	4

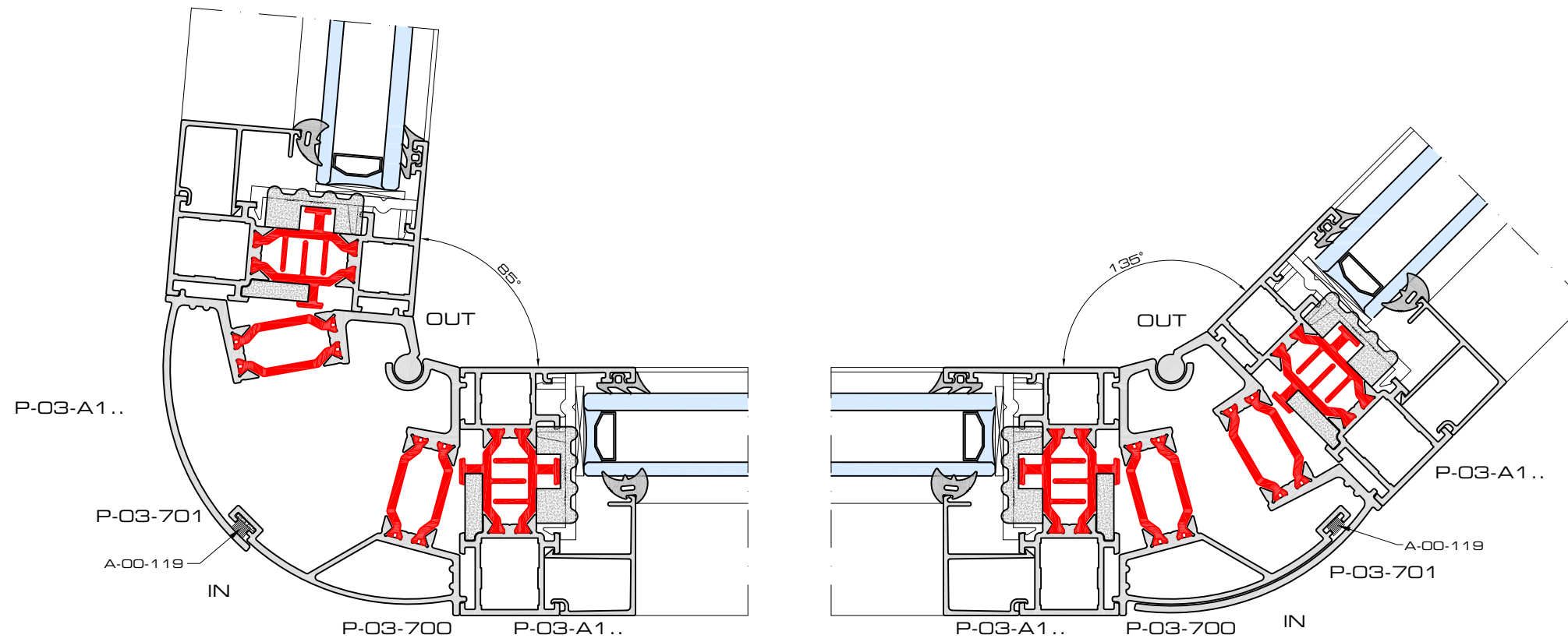
X = min 230mm

MAX. 300kg



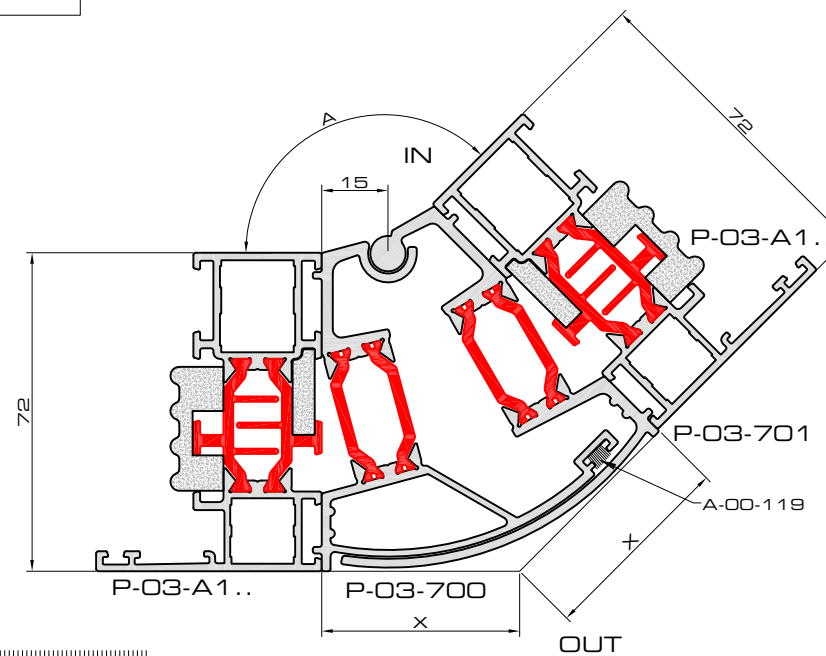
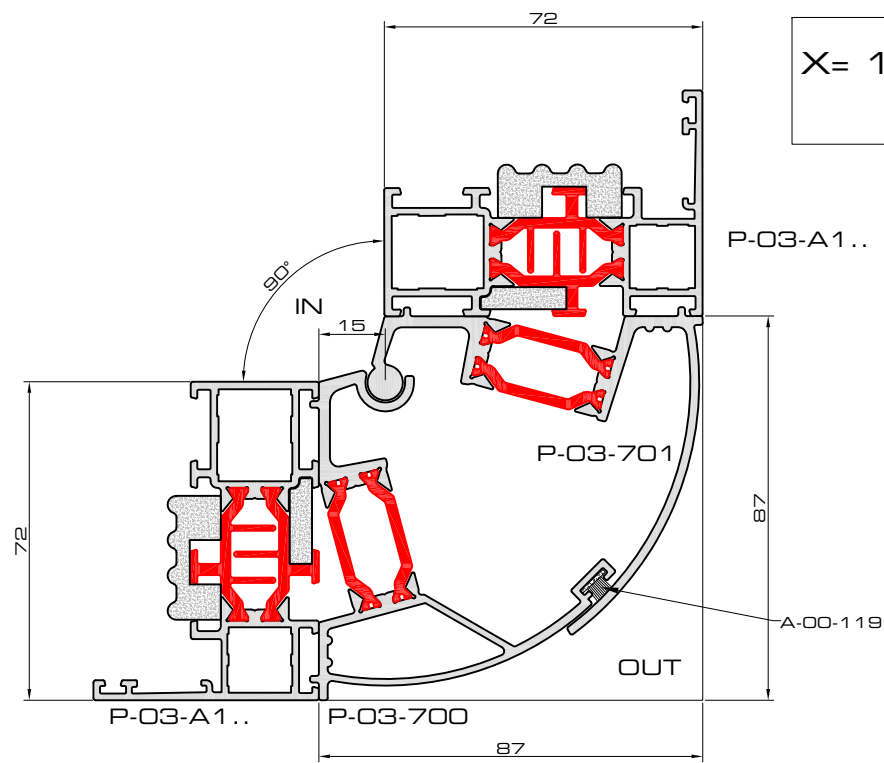


overzichttr

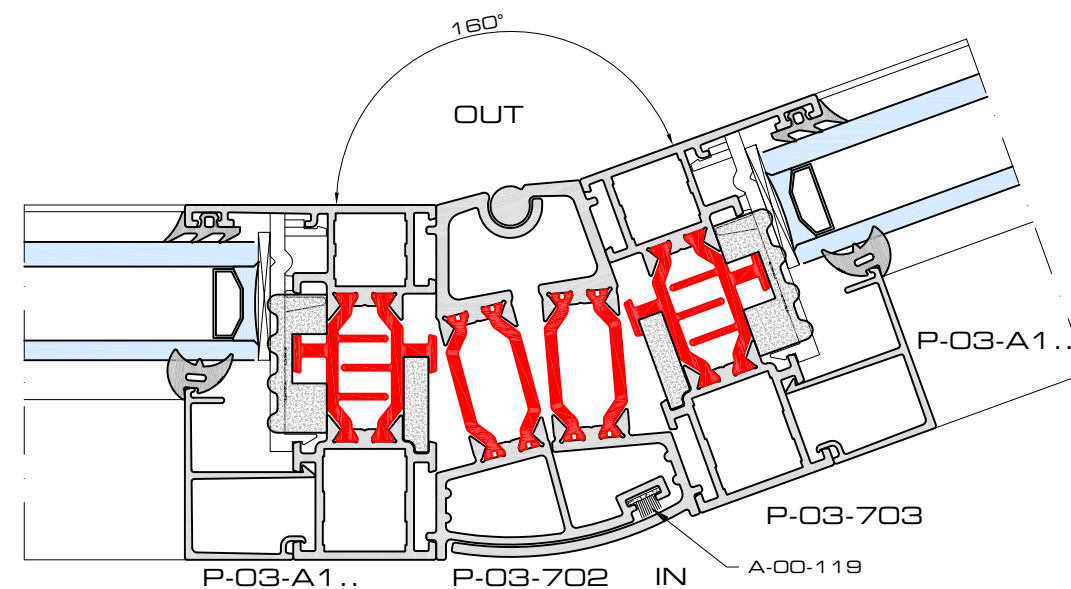
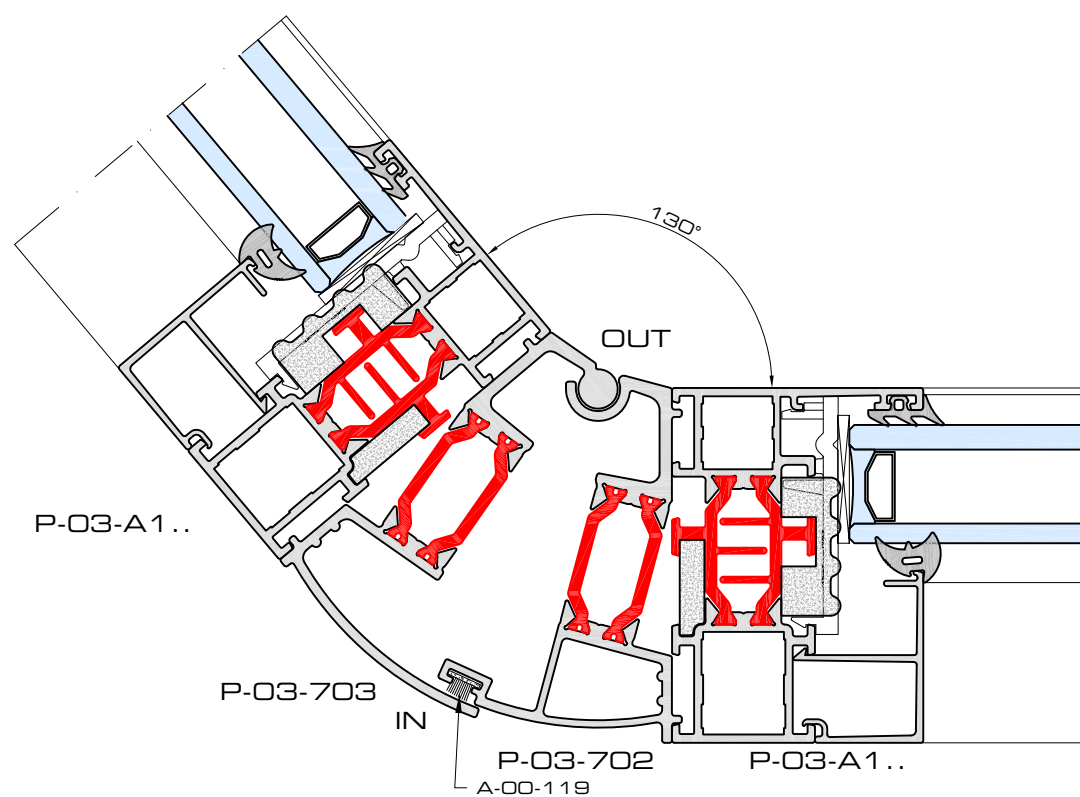


$85^\circ < A < 135^\circ$

$$X = 15 + \frac{72}{\tan \frac{A}{2}}$$

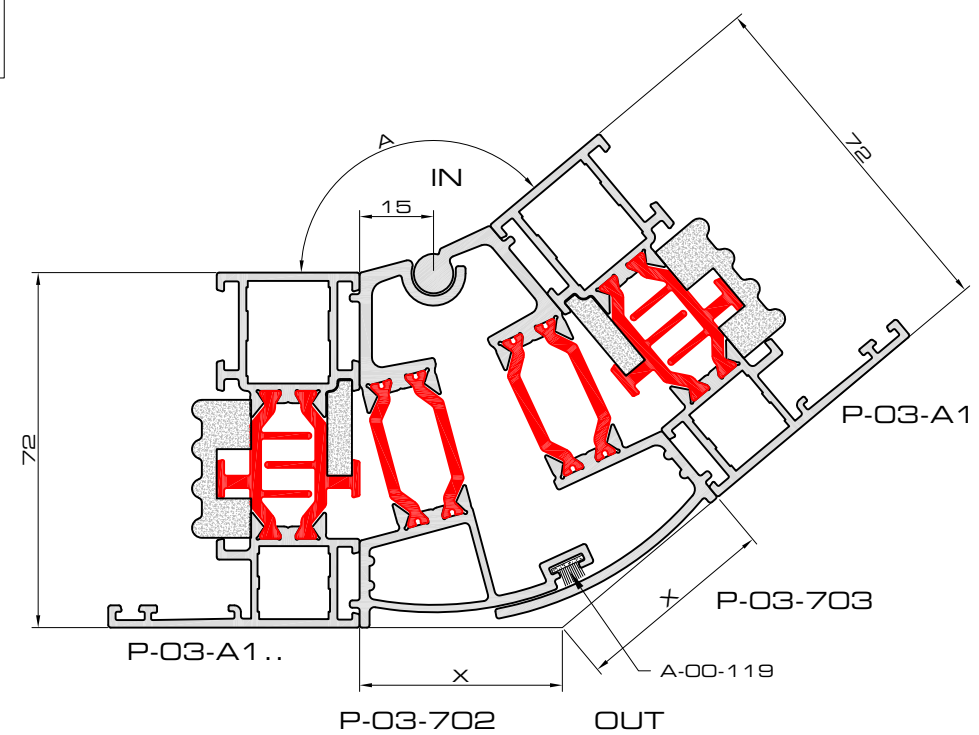
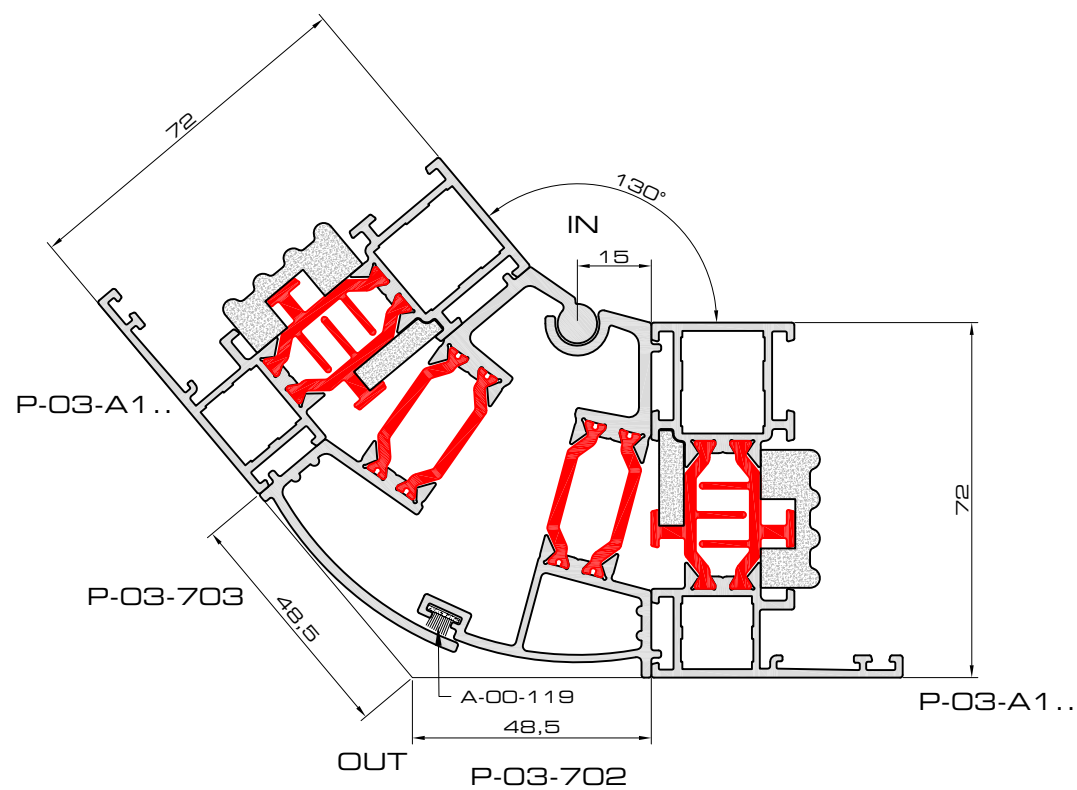


hoek80°tot135°

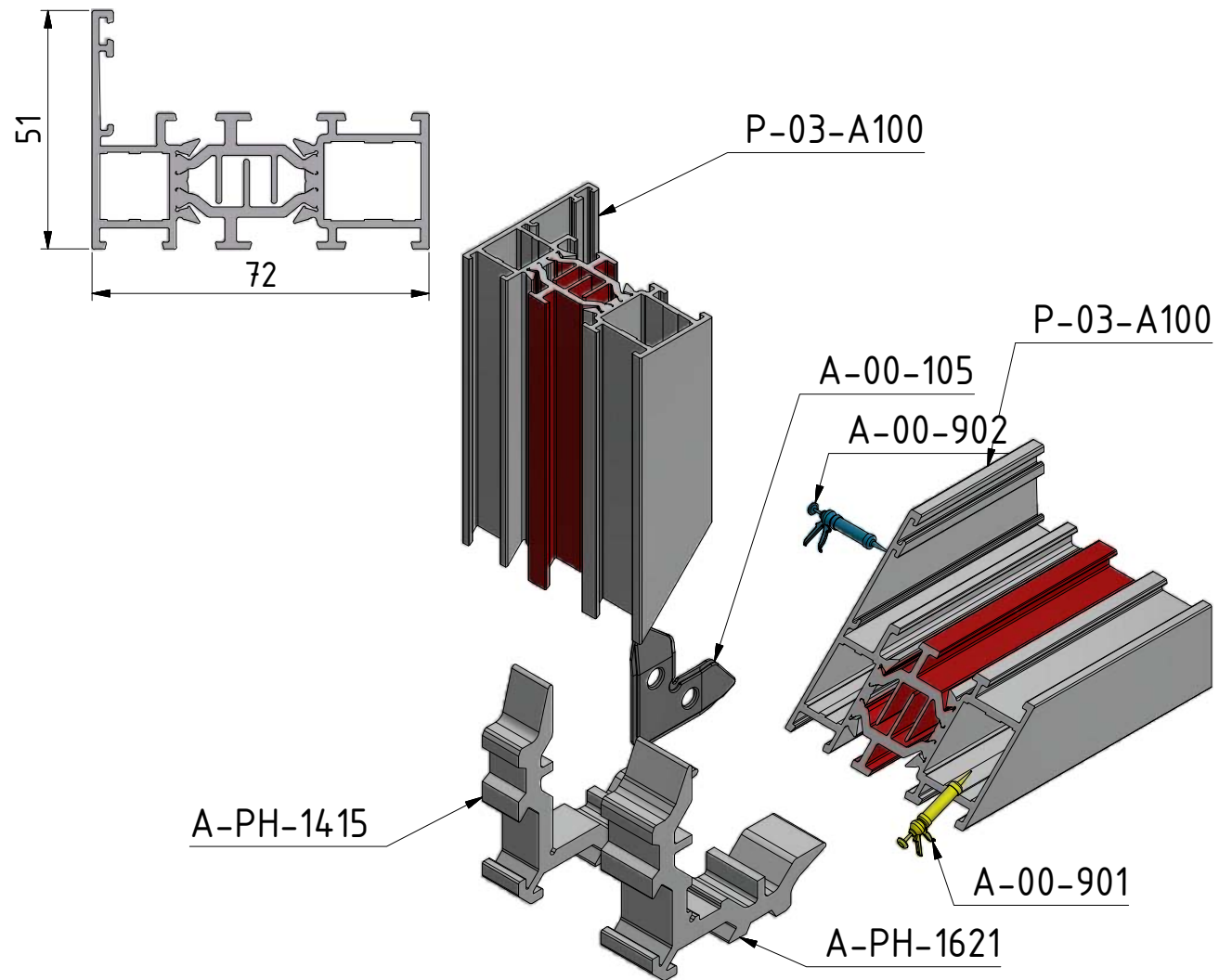
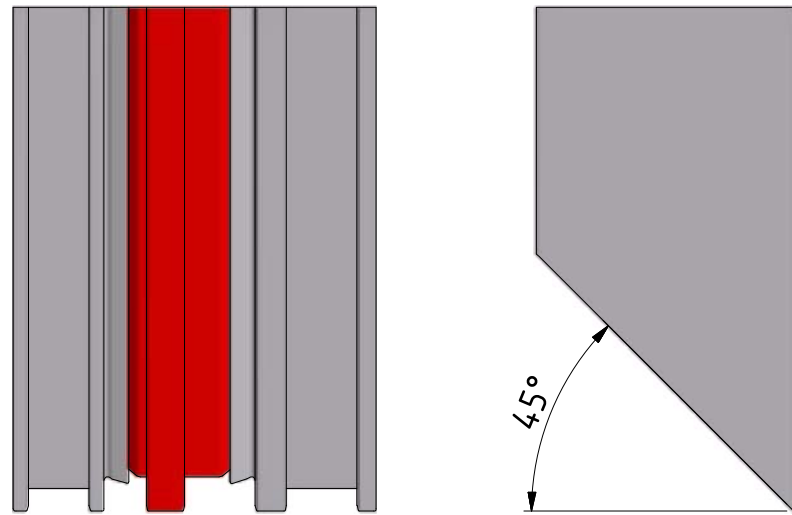


130° < A < 160°

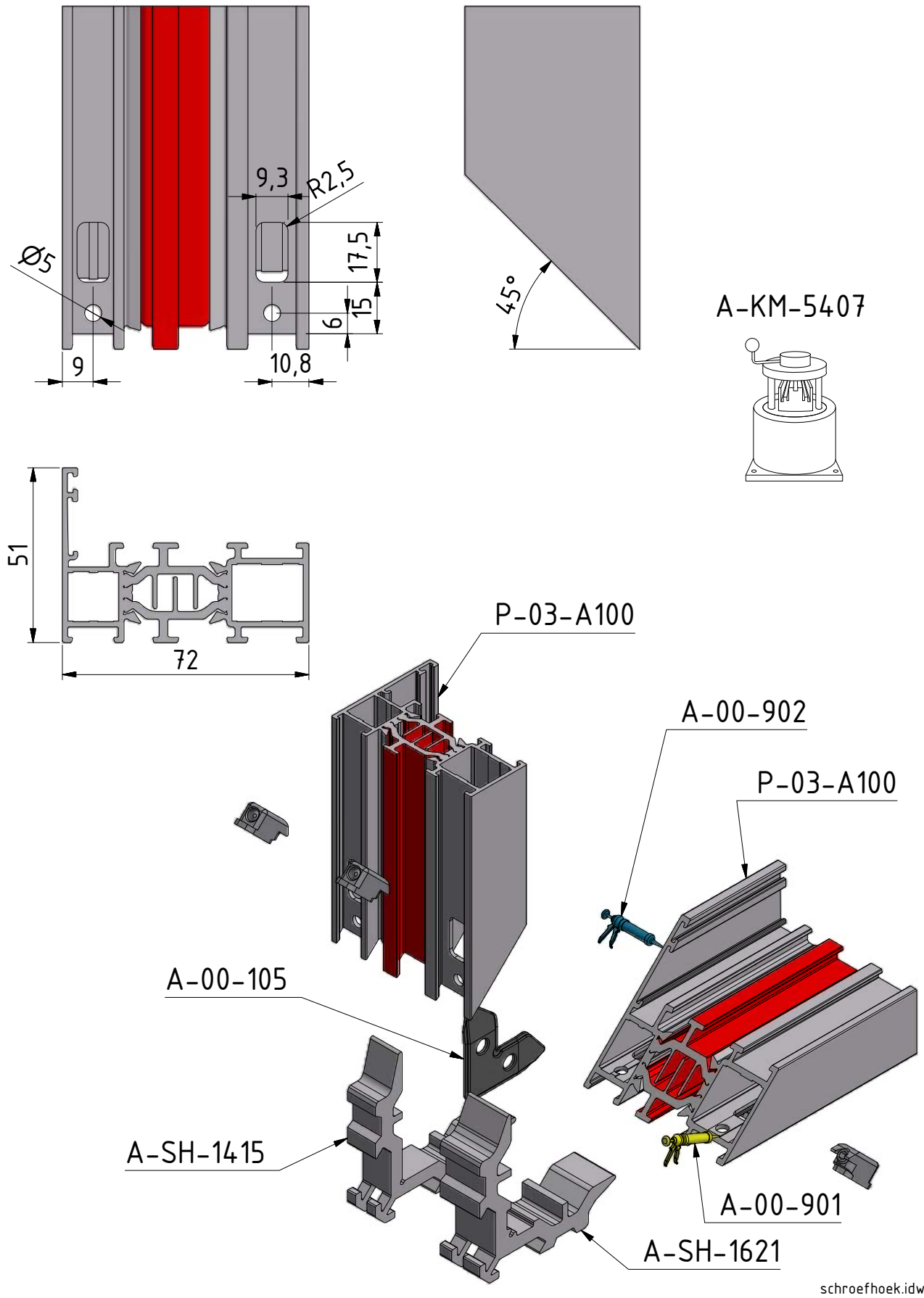
$$X = 15 + \frac{72}{\tan \frac{A}{2}}$$



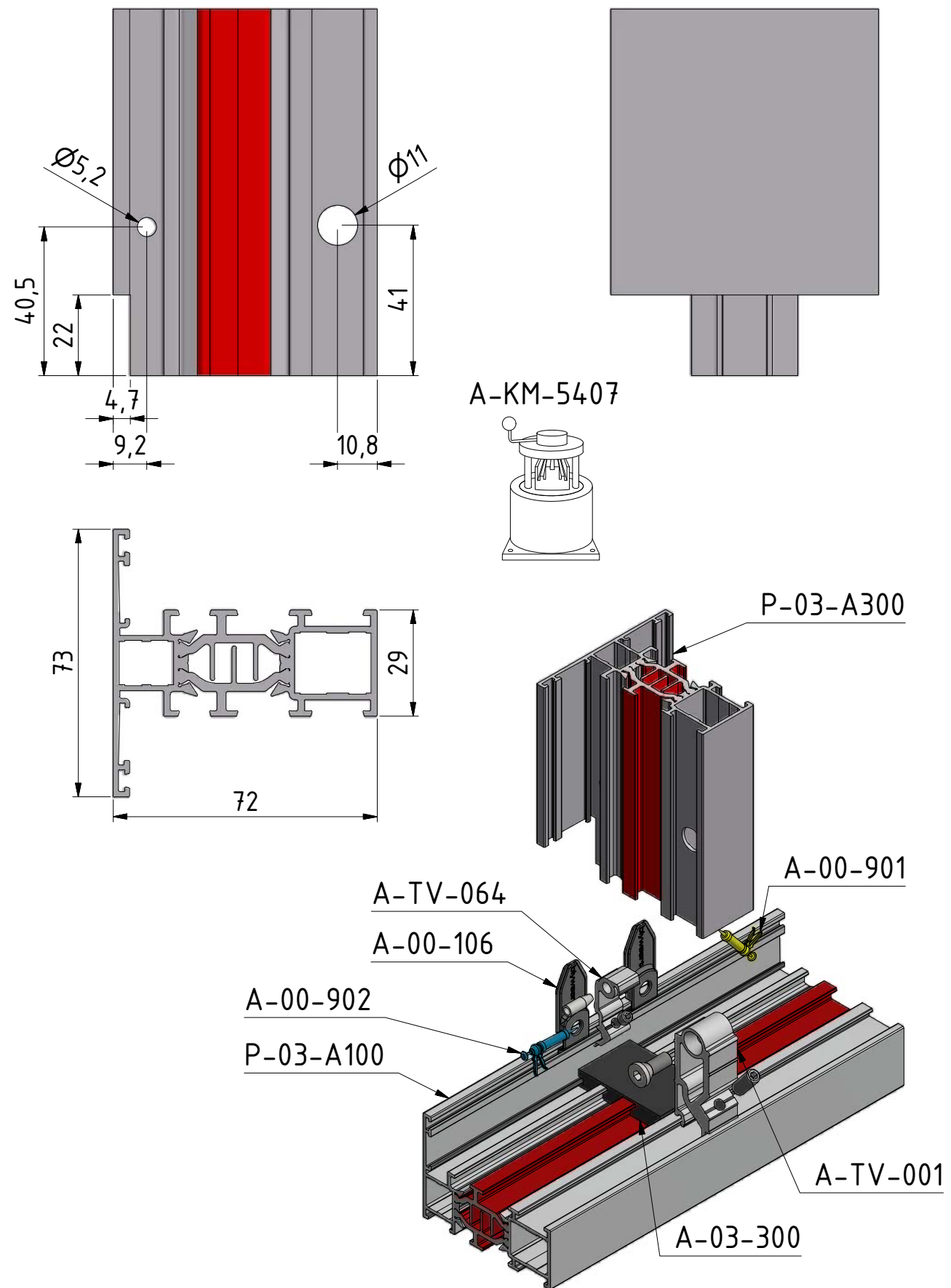
hoek 130° tot 160°



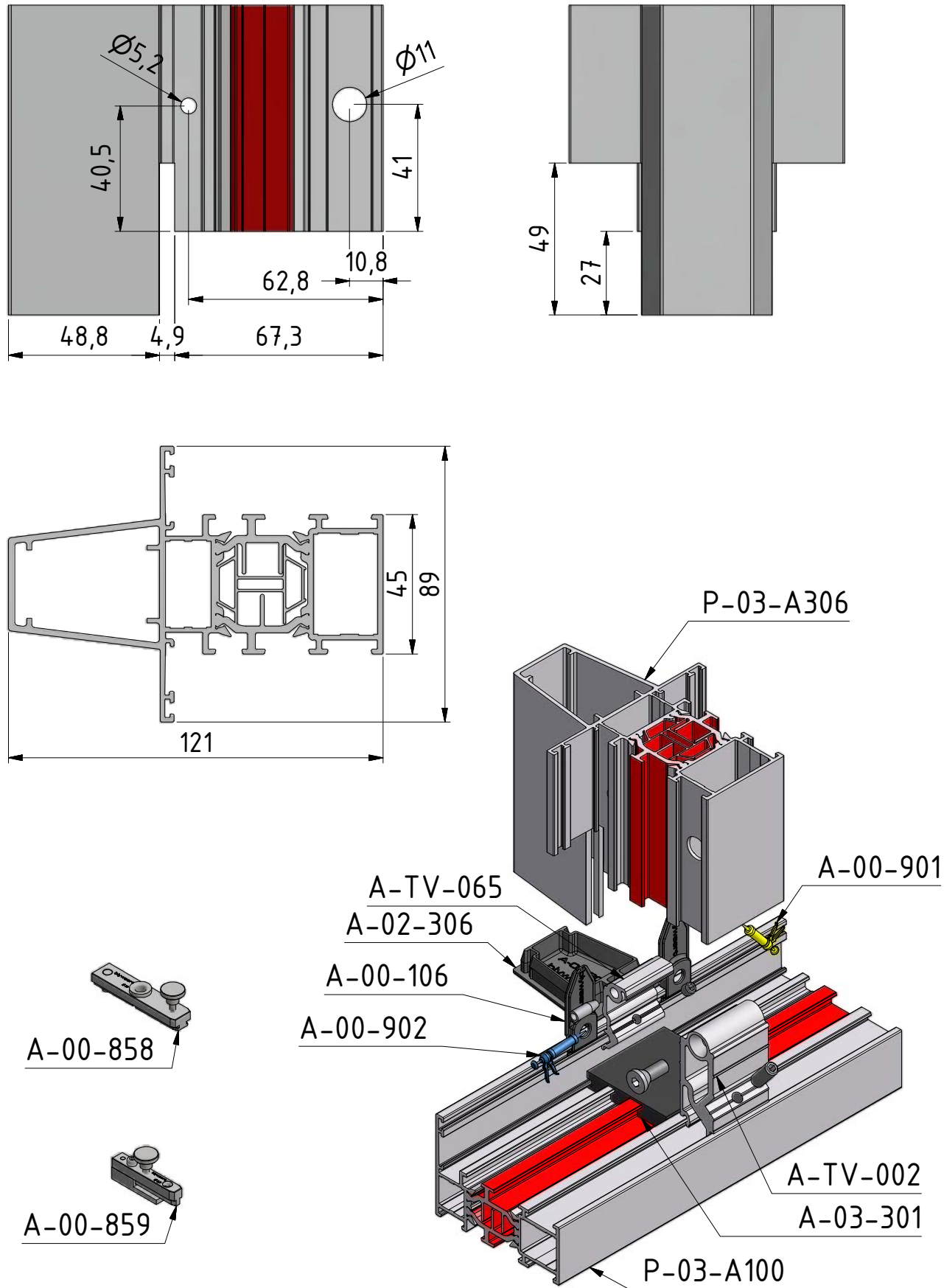
pershoek.idw



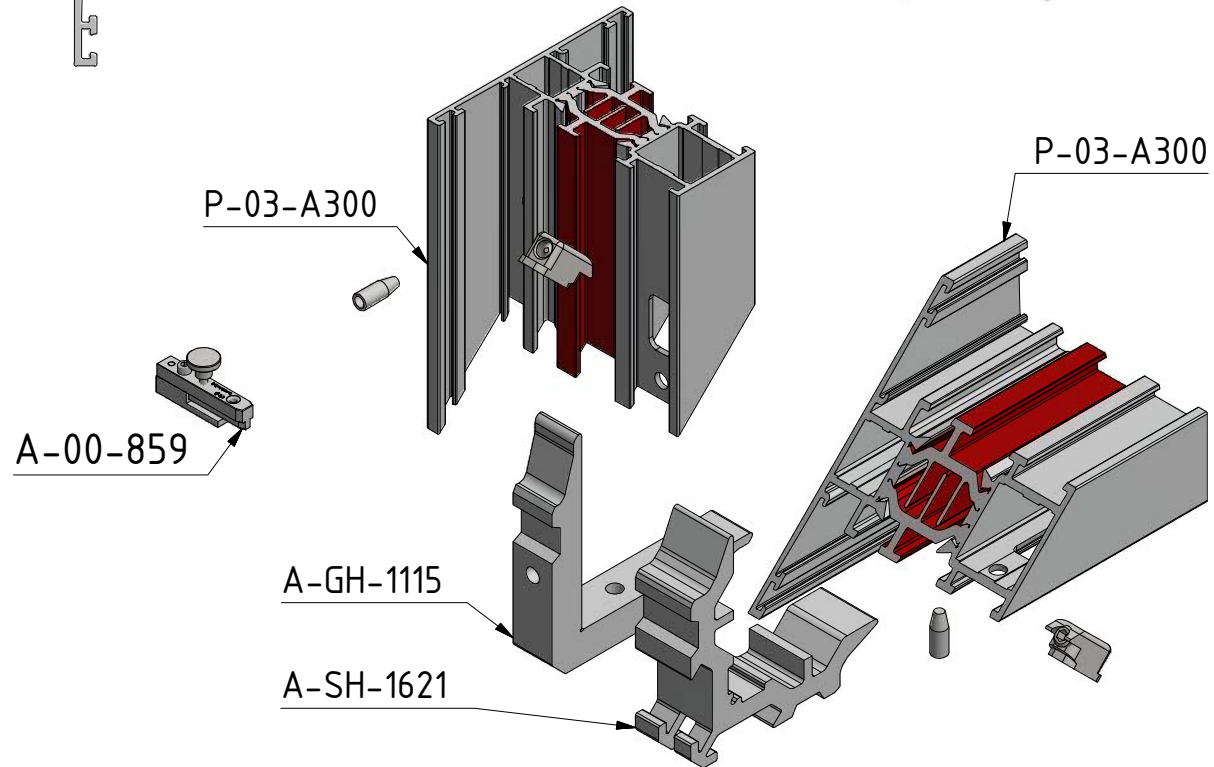
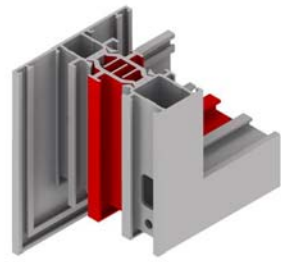
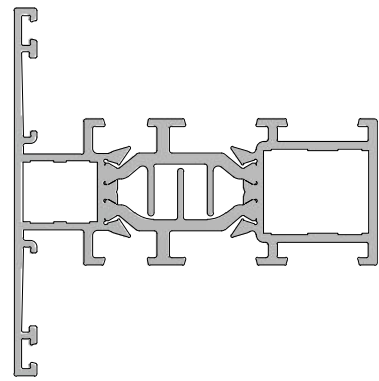
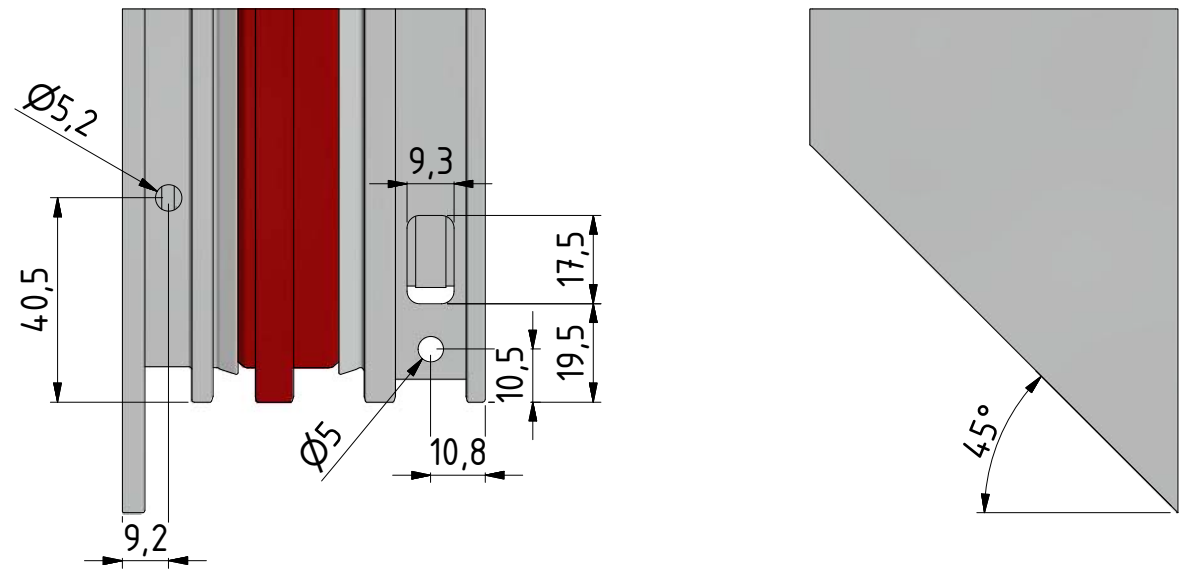
schroefhoek.idw



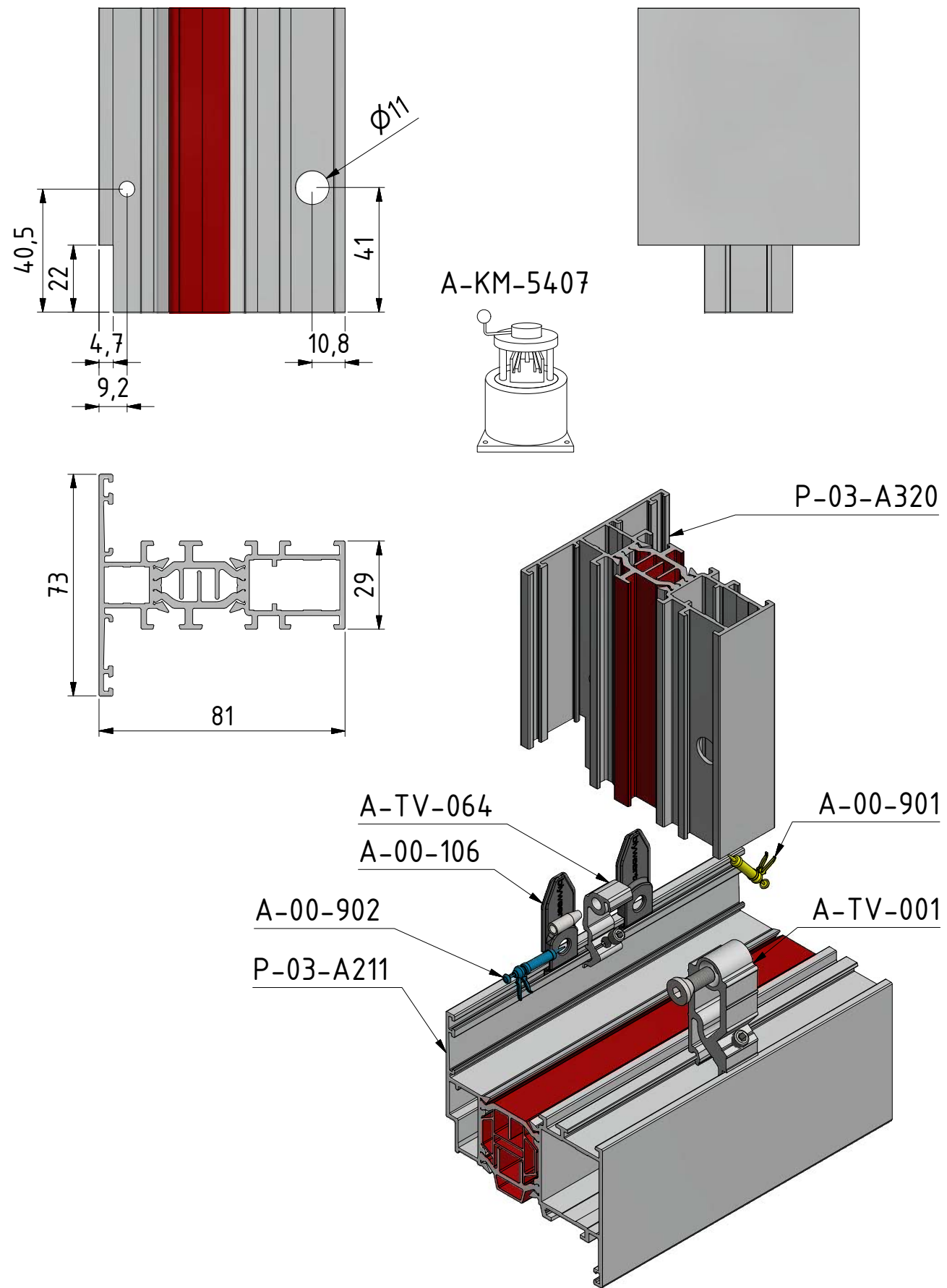
t-verbinding.idw



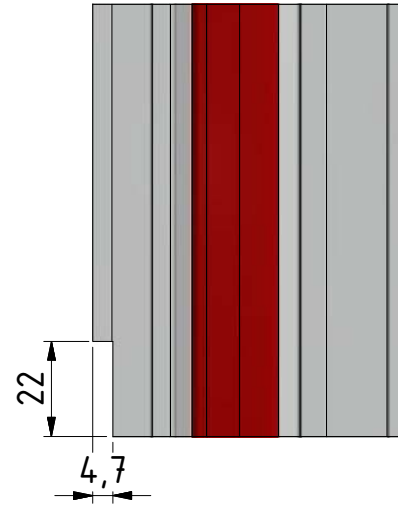
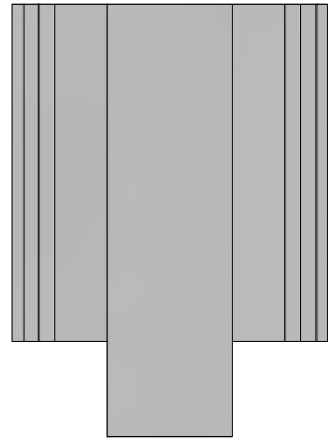
t-verbinding306.idw



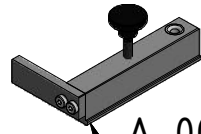
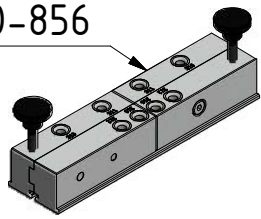
T-profiel_verstek.idw



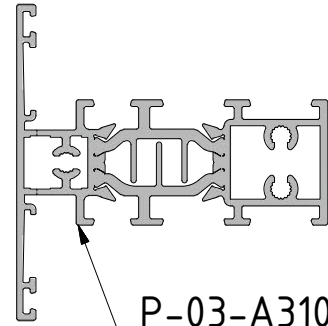
t-verbinding320.idw



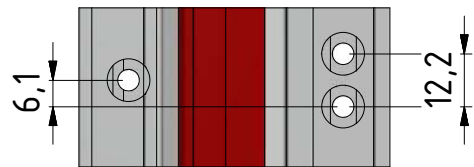
A-00-856



A-00-857

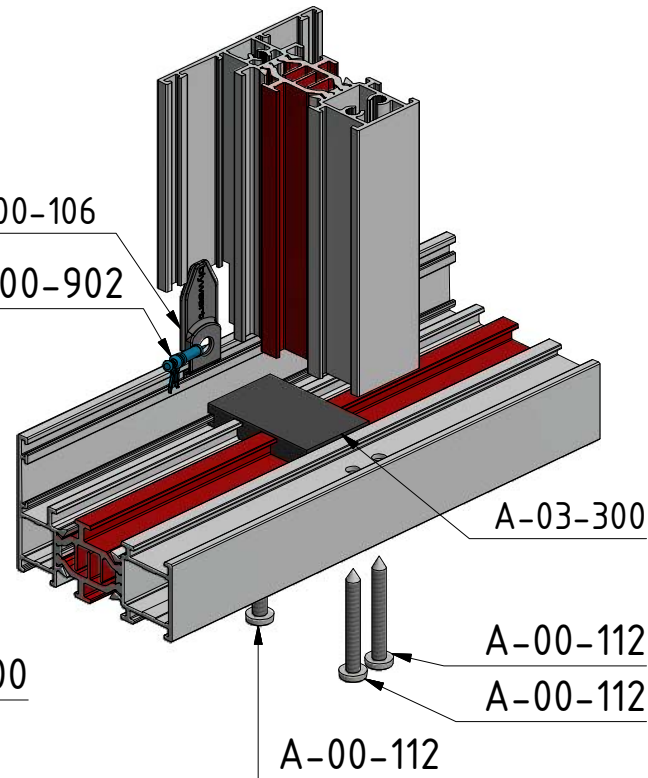


P-03-A310



A-00-106

A-00-902

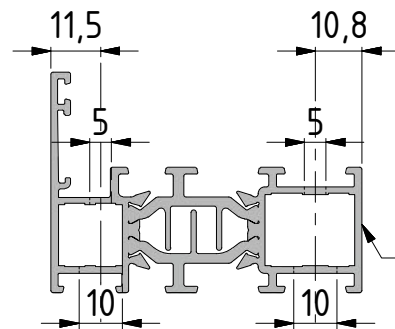


A-03-300

A-00-112

A-00-112

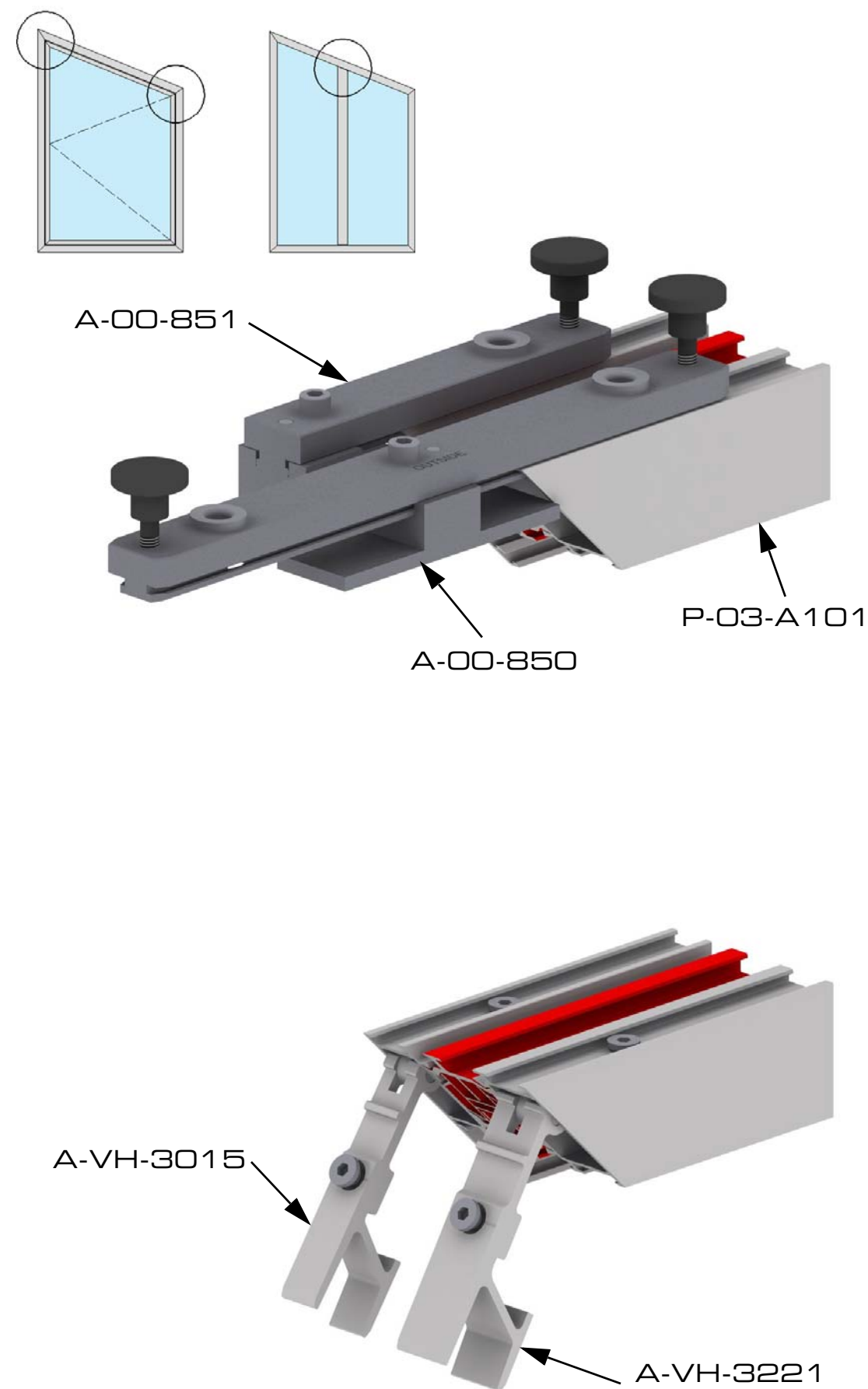
A-00-112

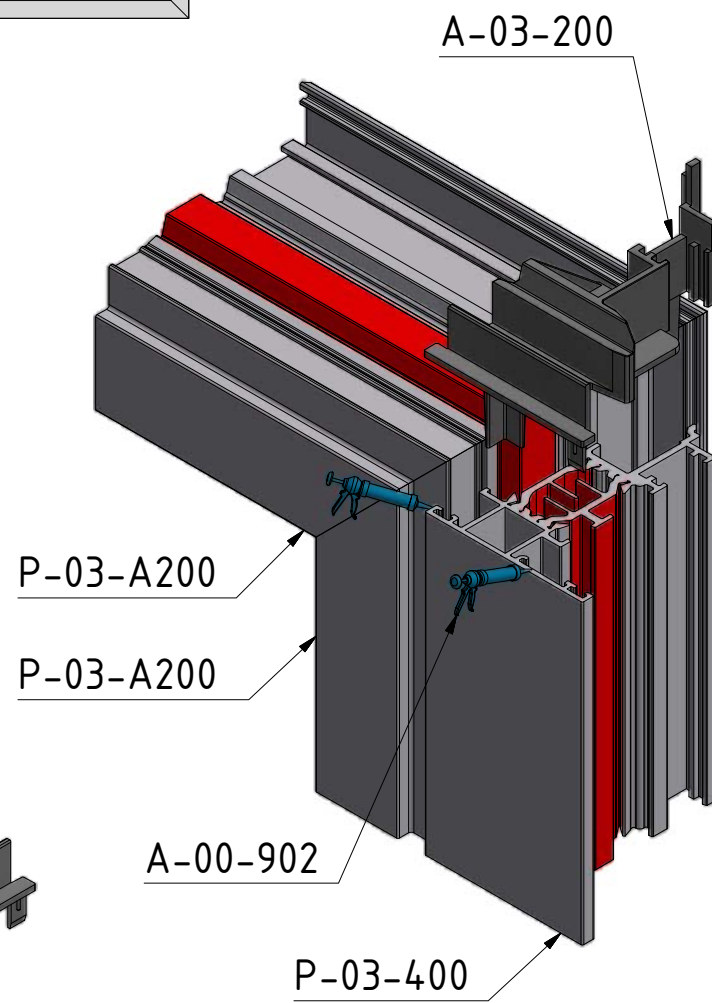
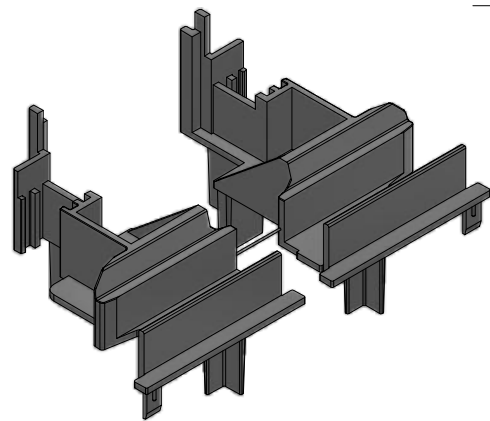
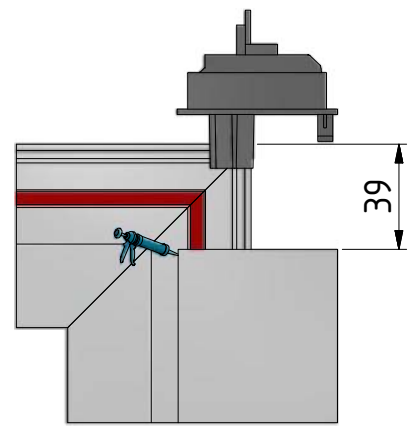
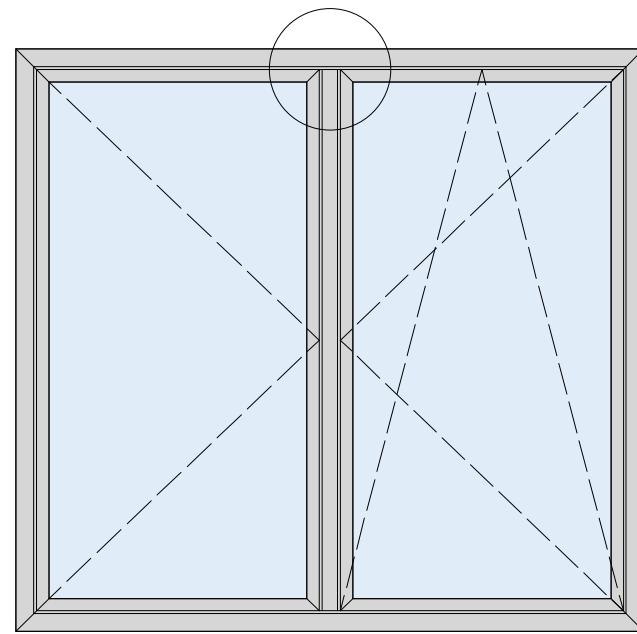


P-03-A100

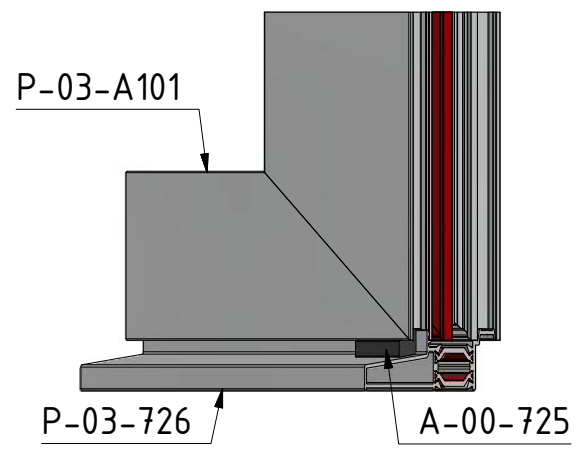
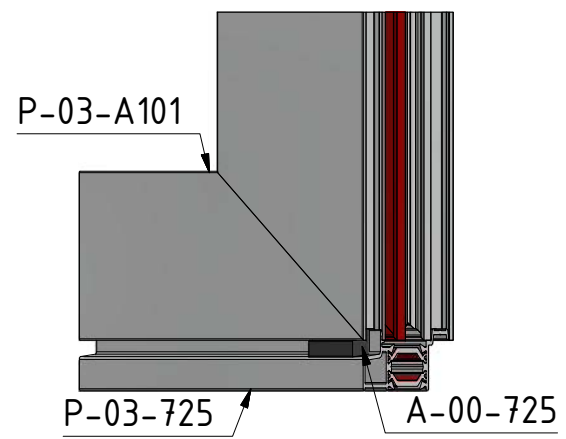
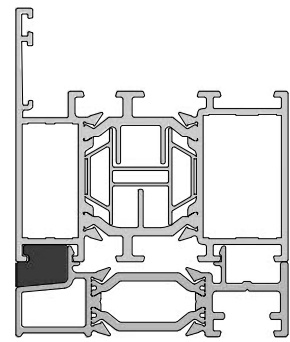
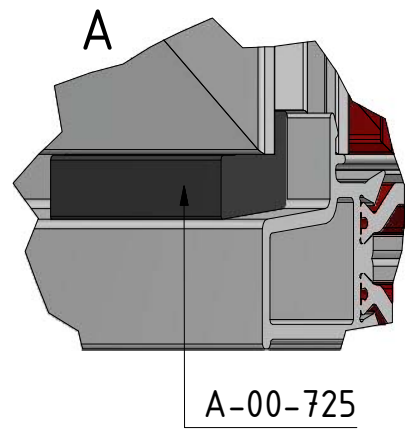
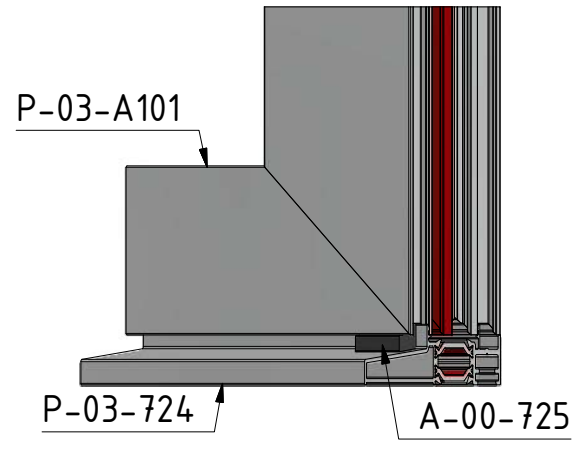
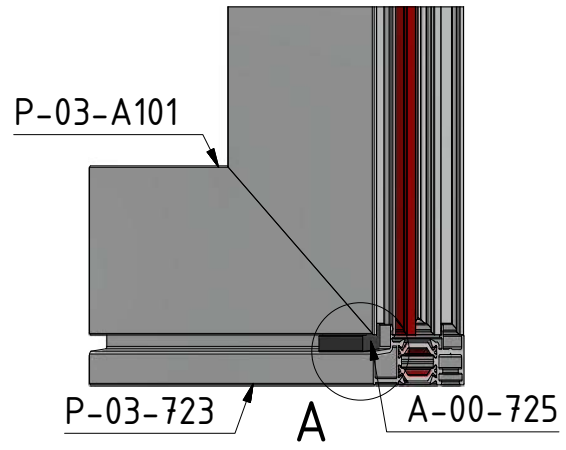
schroefverbinding.idw

P-03-A100		A-VH-1415		A-00-851	
		A-VH-1621		A-00-850	
P-03-A101		A-VH-3015		A-00-851	
		A-VH-3221		A-00-850	
P-03-A102		A-VH-4015		A-00-851	
		A-VH-4221		A-00-850	
P-03-A109		A-VH-1664		A-00-850	
		A-VH-3221		A-00-850	
P-03-A200		A-VH-1110		A-00-853	
		A-VH-1630		A-00-852	
P-03-A210		A-VH-1110		A-00-853	
		A-VH-1630		A-00-852	
P-03-A300		A-VT-1115		A-00-855	
		A-VT-1621		A-00-854	
P-03-A301		A-VT-2715L/R		A-00-855	
		A-VT-3221L/R		A-00-854	

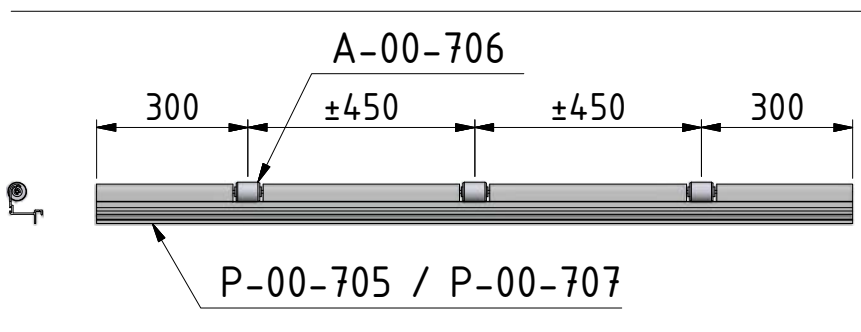
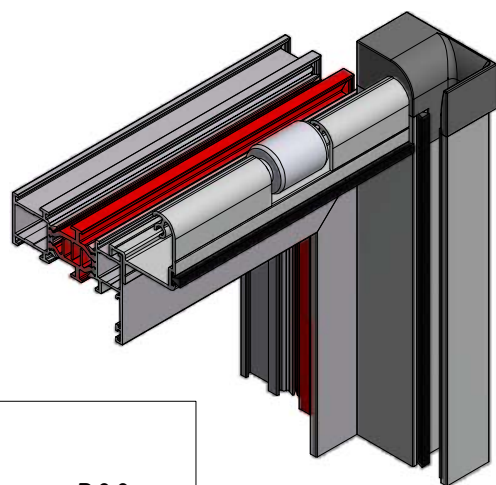
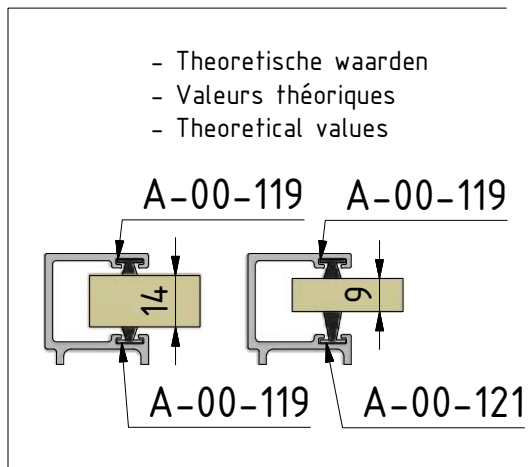
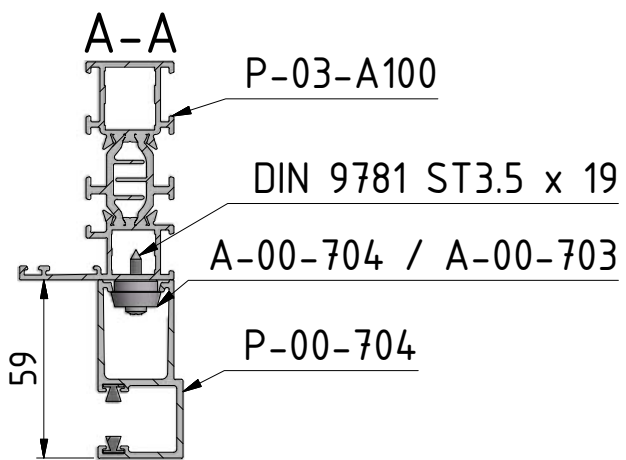
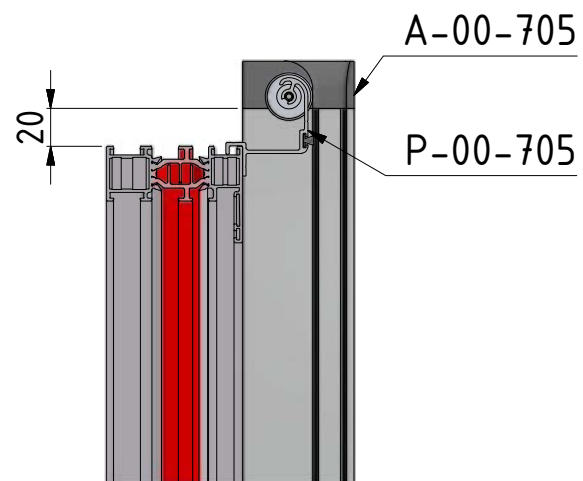
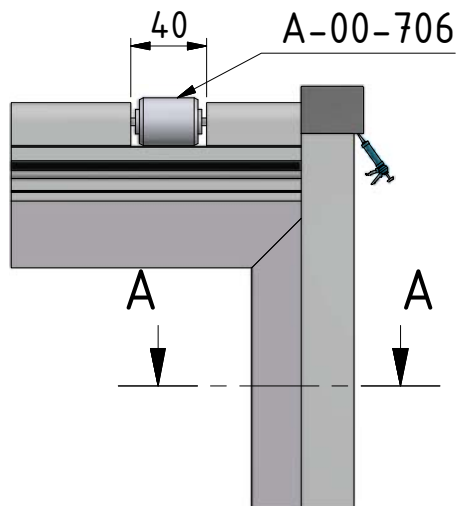




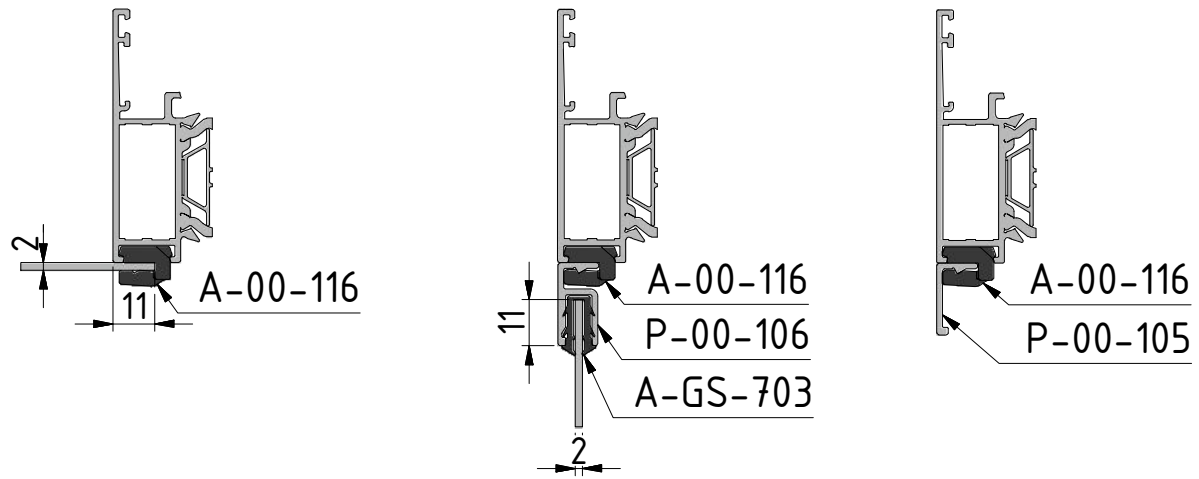
stolpeindstukTR.idw



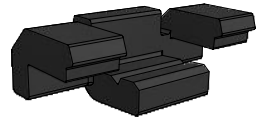
eindrubber.idw



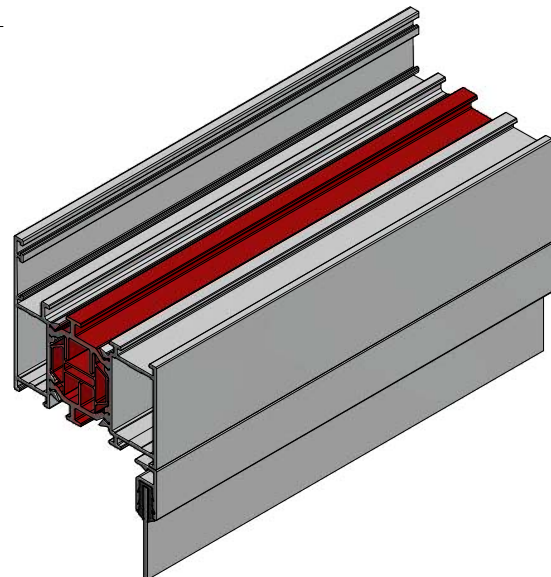
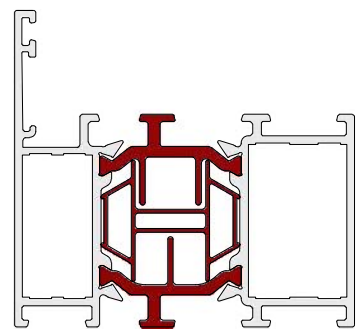
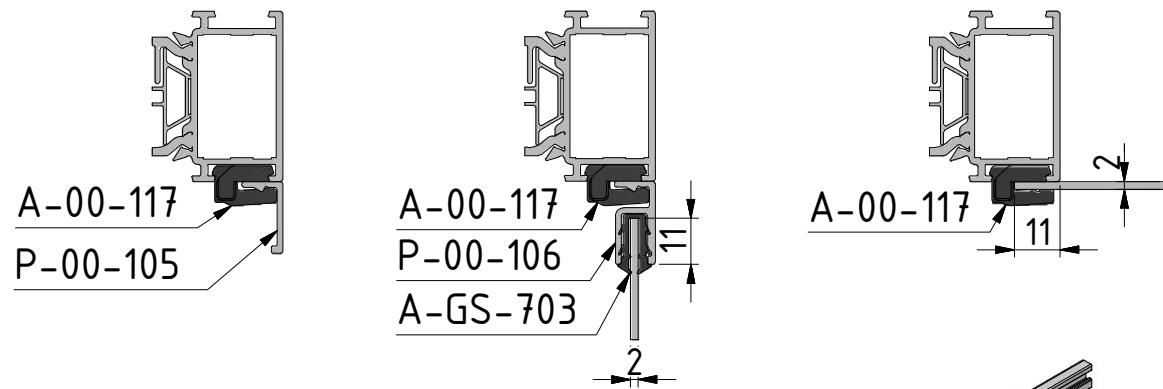
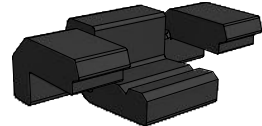
RolluikTR.idw



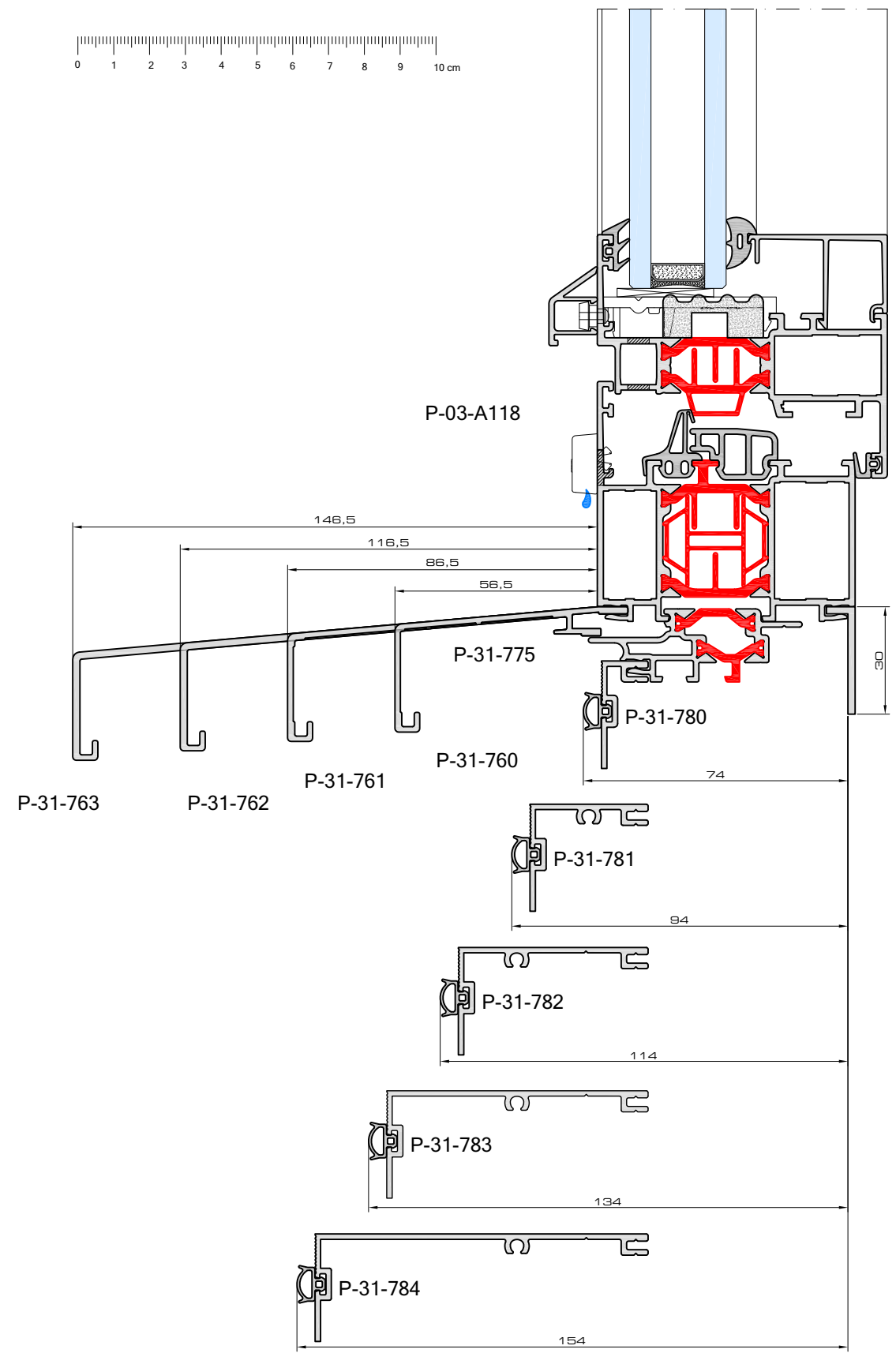
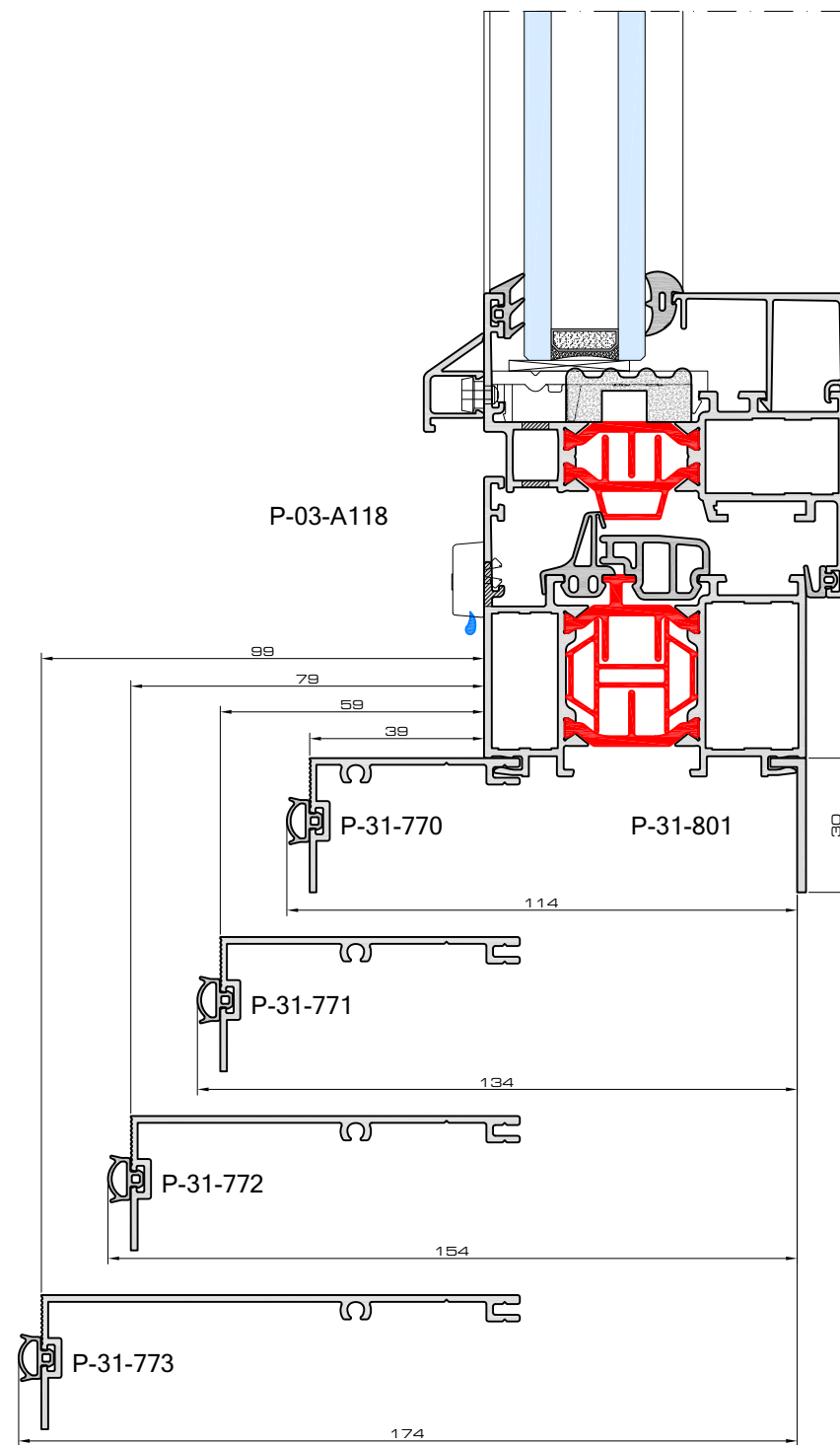
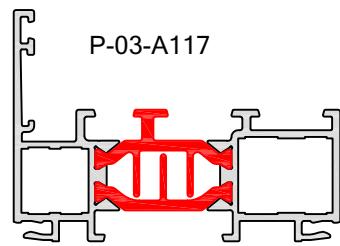
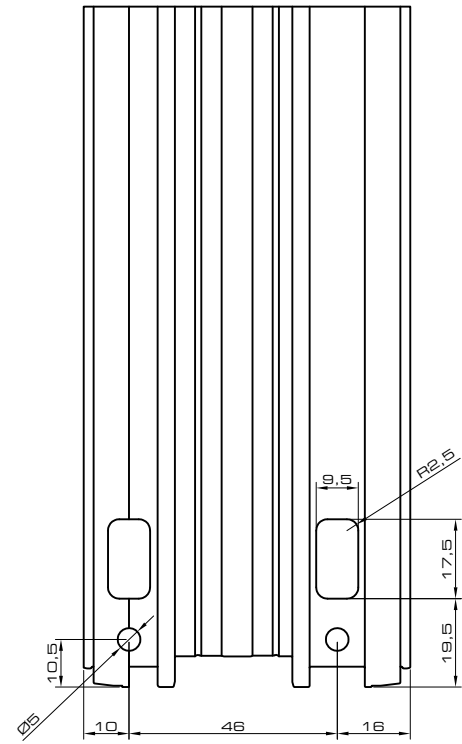
A-00-116



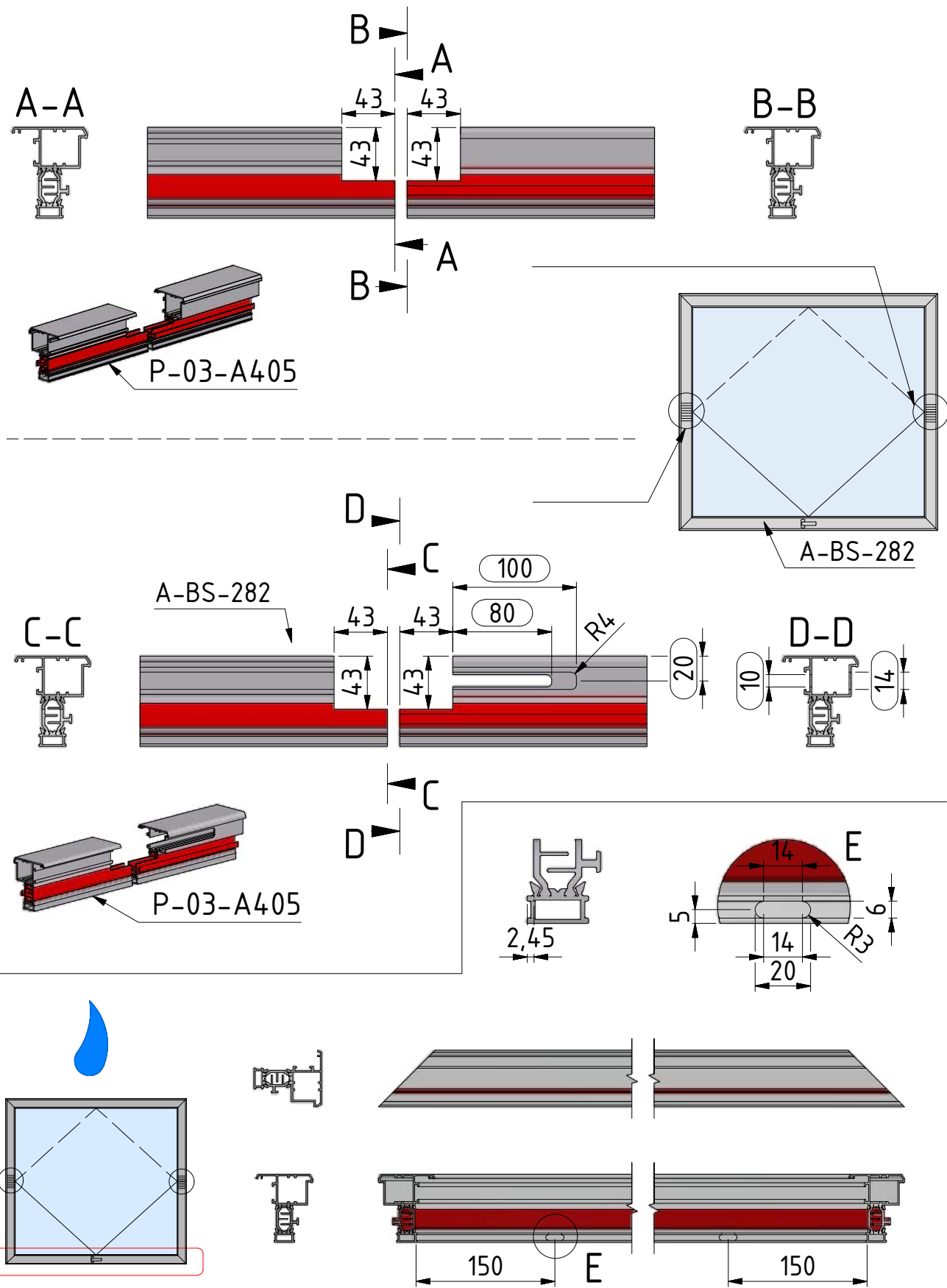
A-00-117



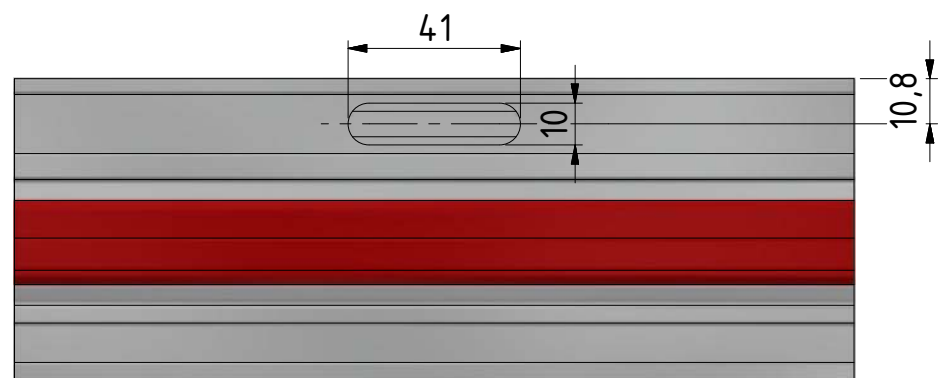
plaa houder.idw



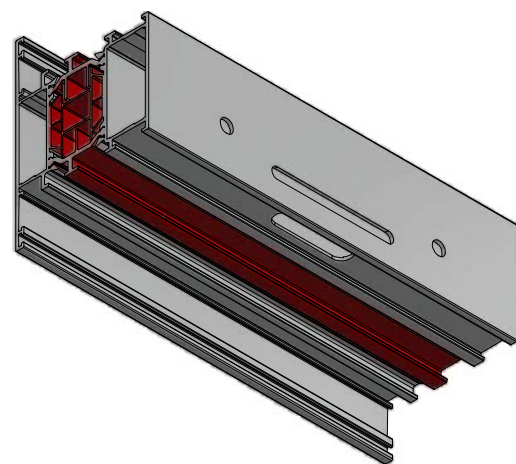
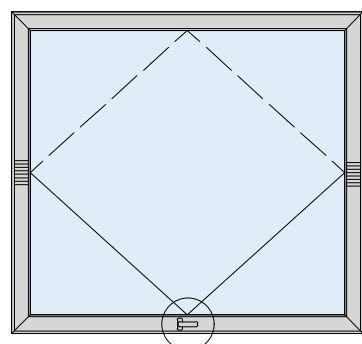
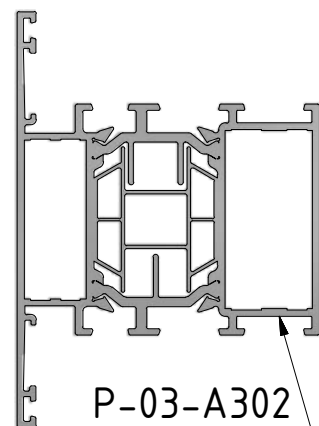
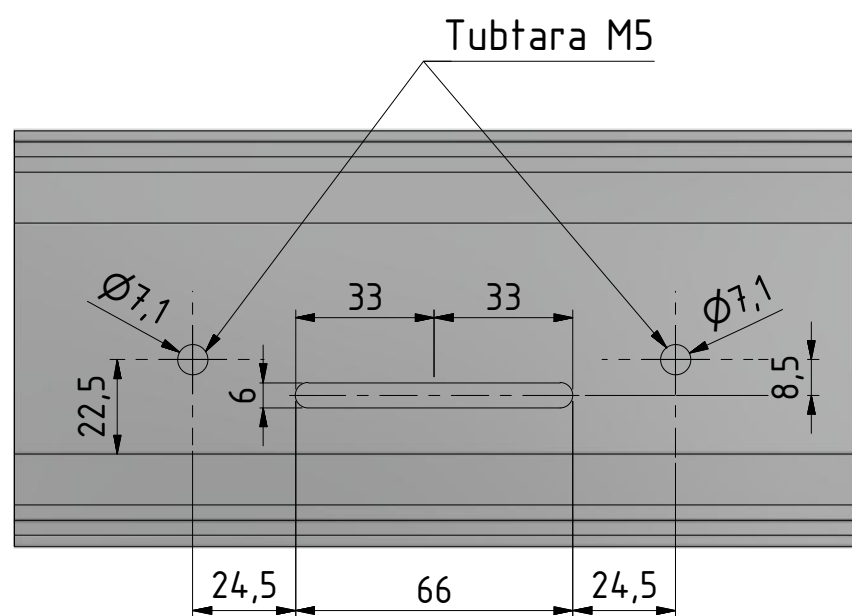
triton_france



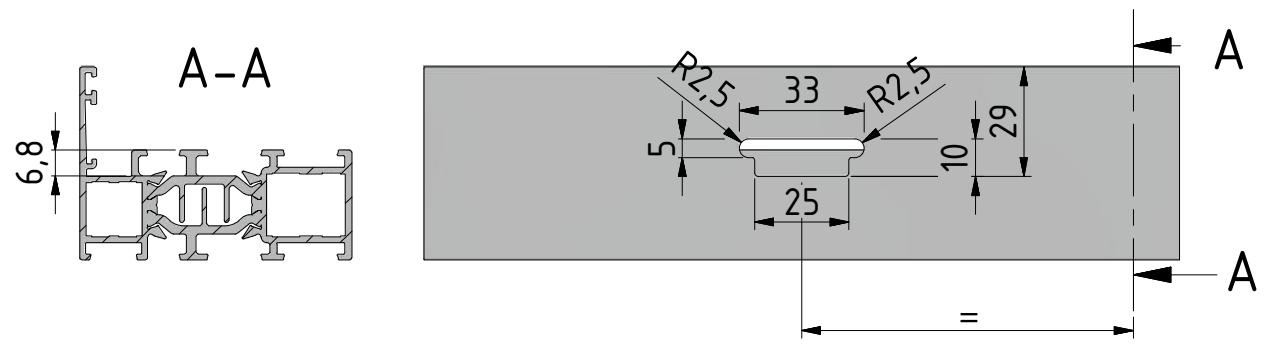
tuielraam.idw



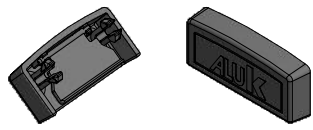
A-BS-280L
A-BS-280R



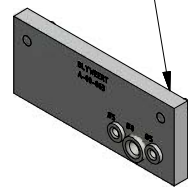
uit frezingP-03-302.idw



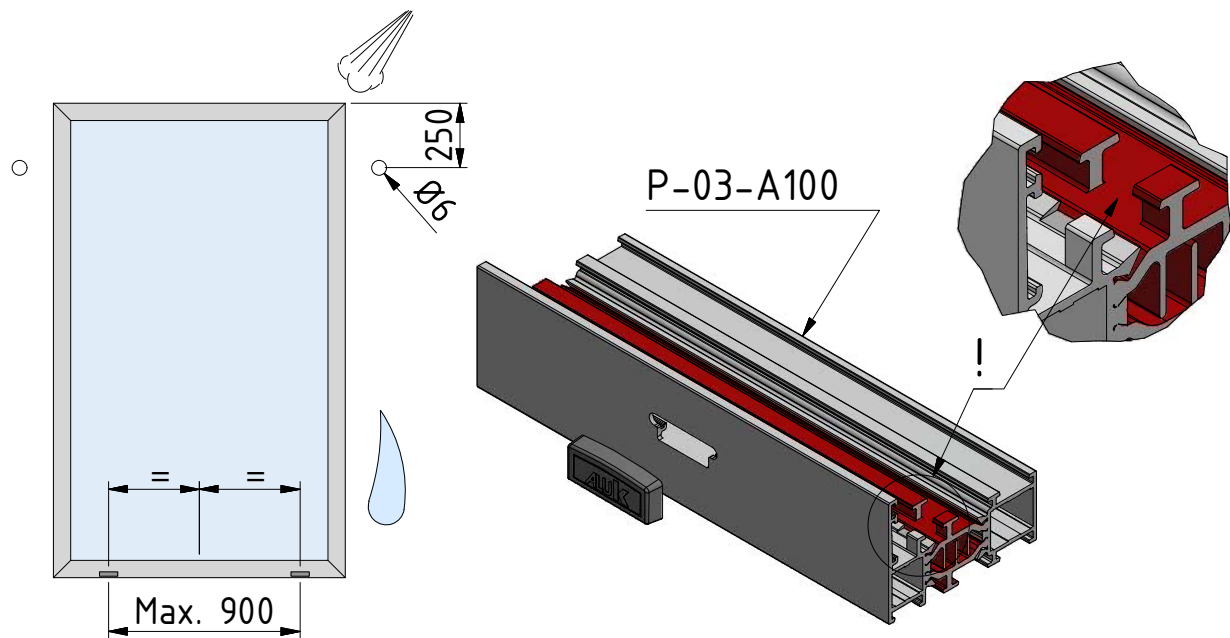
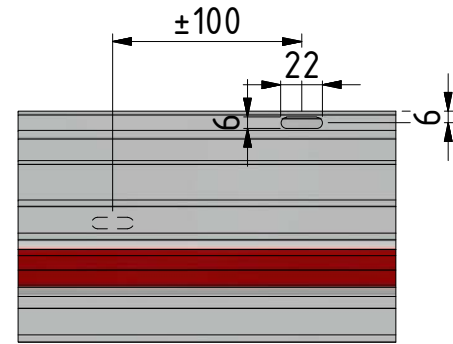
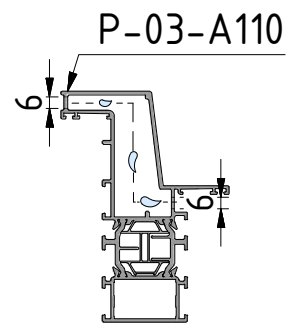
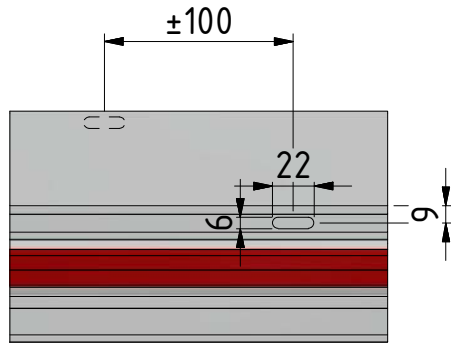
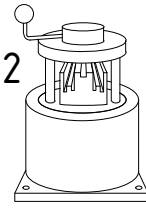
A-00-100



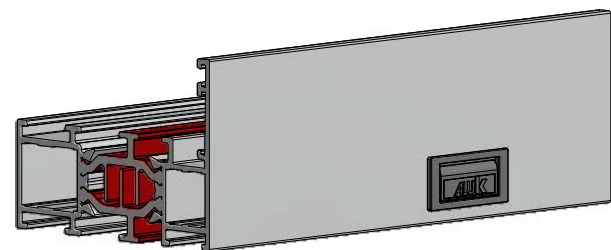
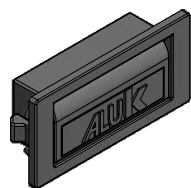
A-00-863



A-KM-5402



waterkapje.idw



A-00-104

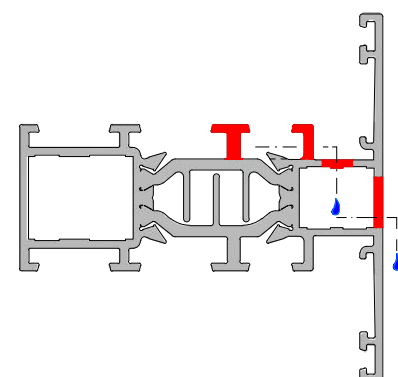
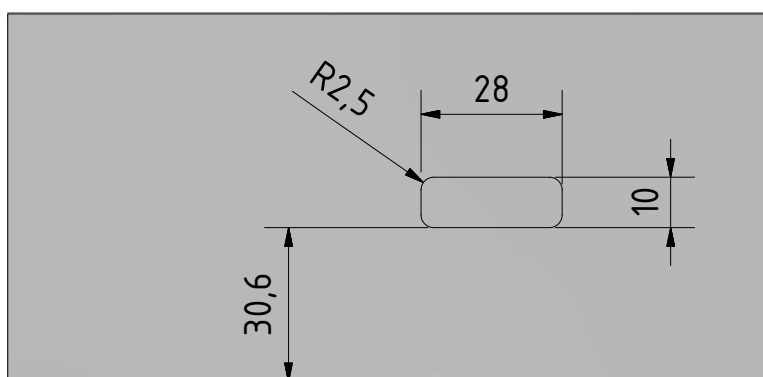
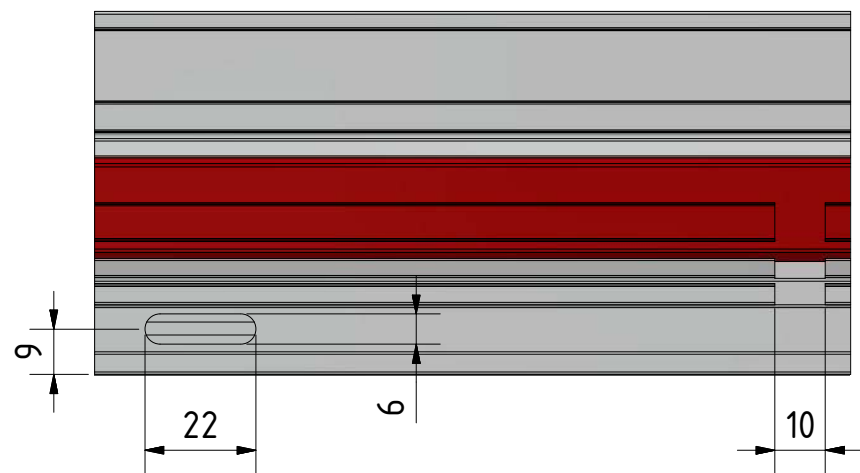
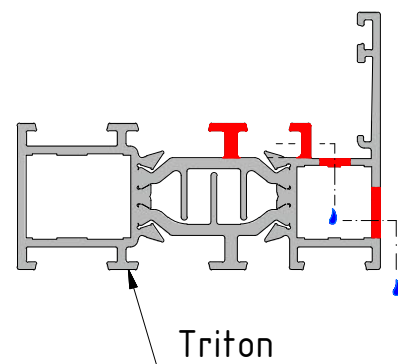
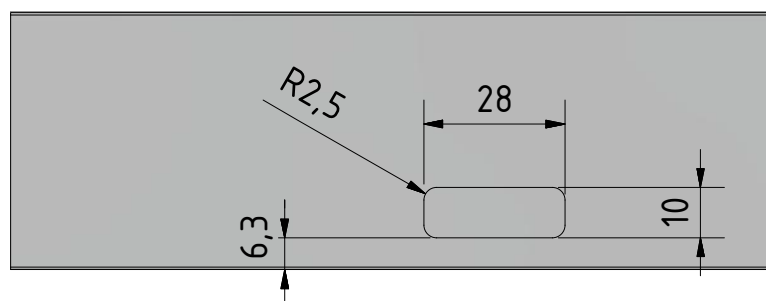
For all systems

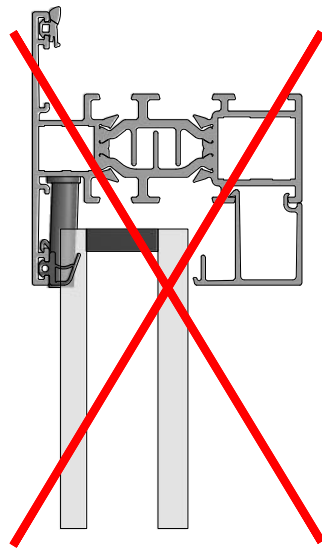
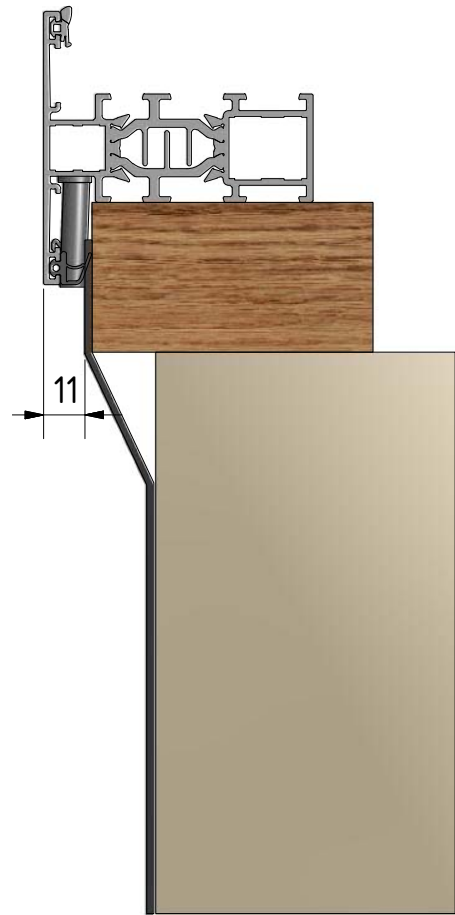
Venta , Oculito

Triton , Hermes , Themis

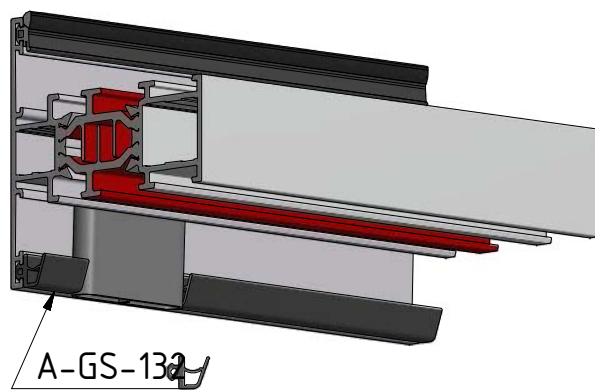
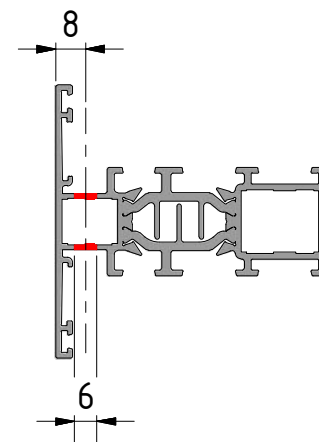
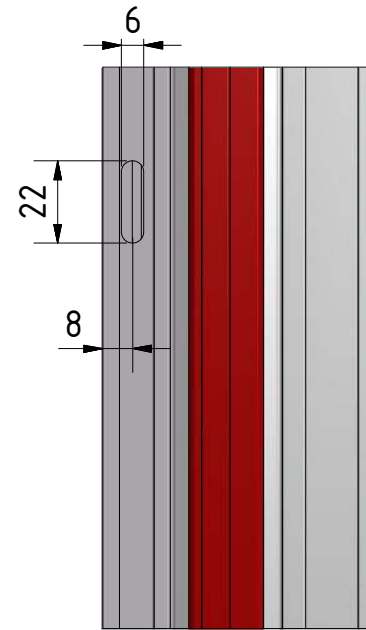
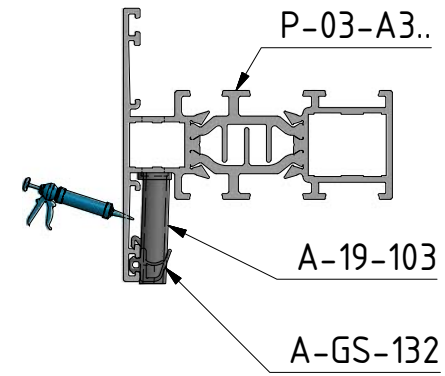
Notus , Hestia , Kolos

Harmonia

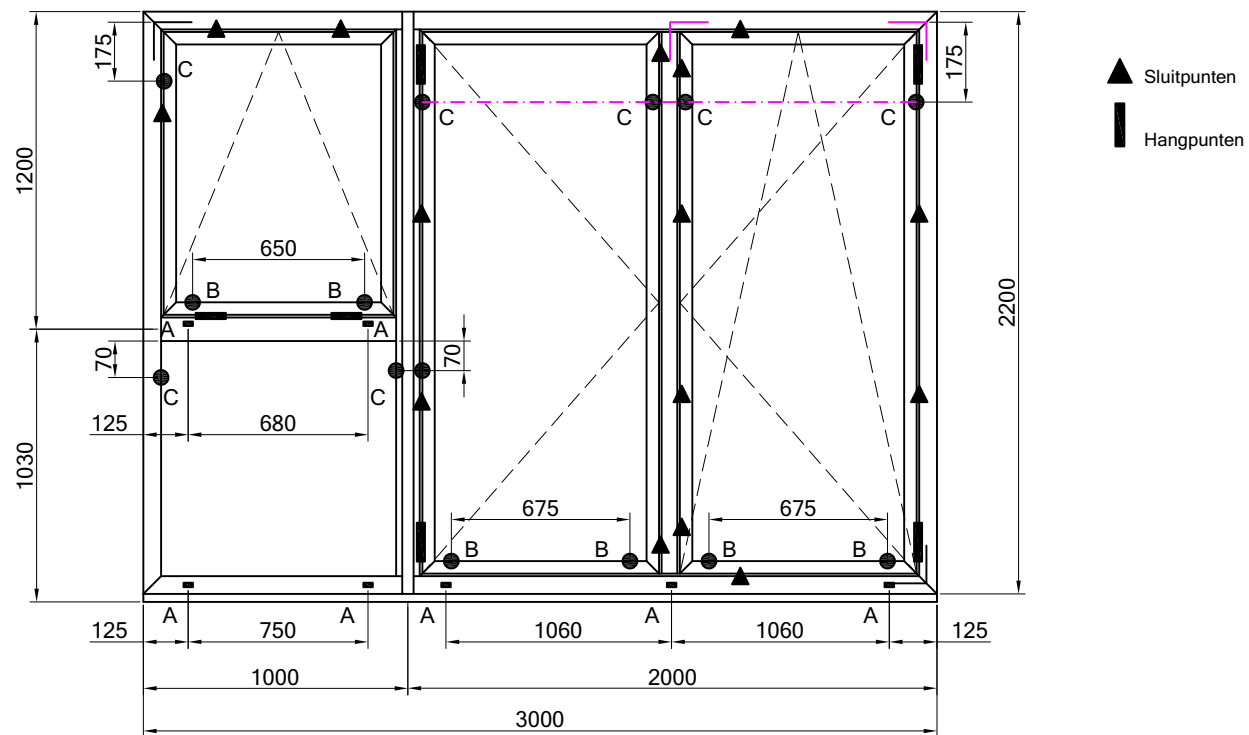




A-19-103



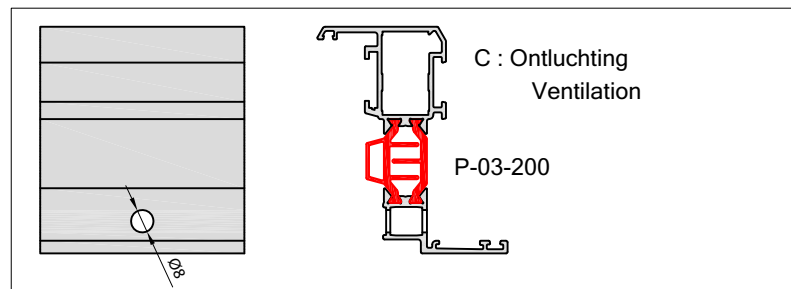
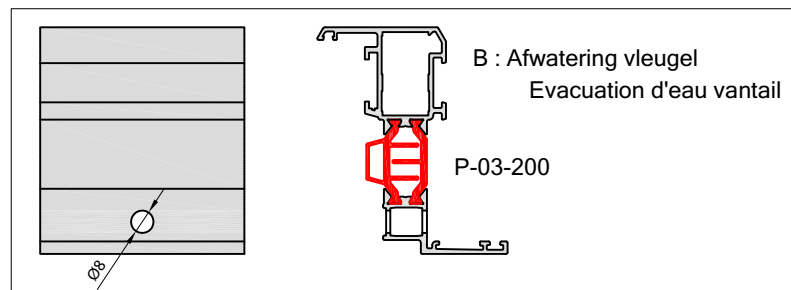
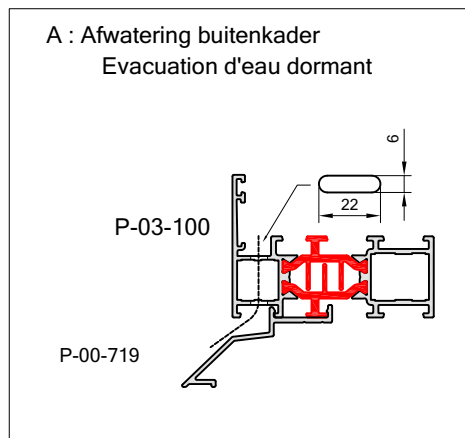
verdoken afwatering.idw



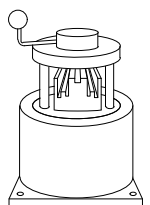
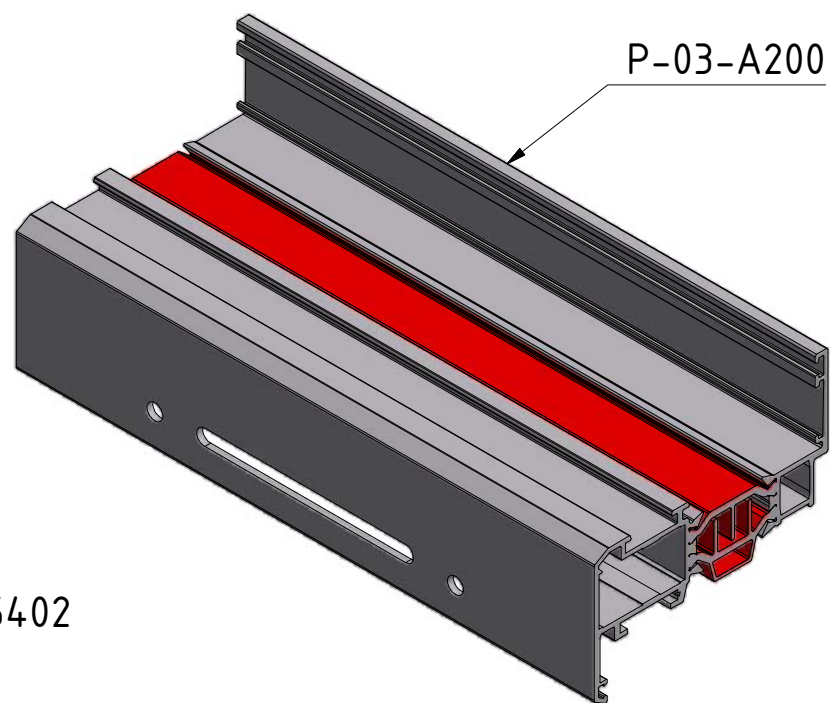
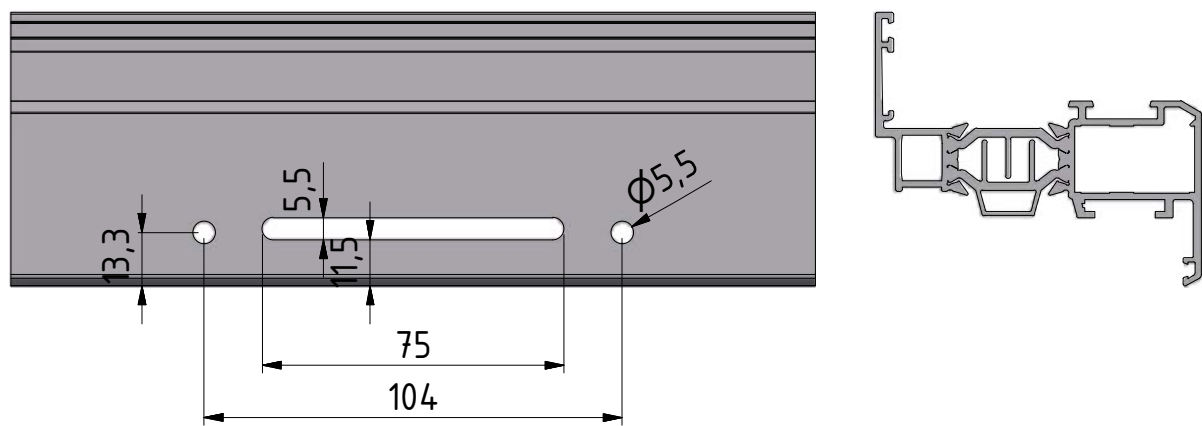
AIR PERMEABILITY EN 12207  class 4

WATER TIGHTNESS EN 12208  A750

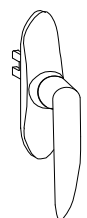
WIND RESISTANCE EN 12211  C3



trontwatering

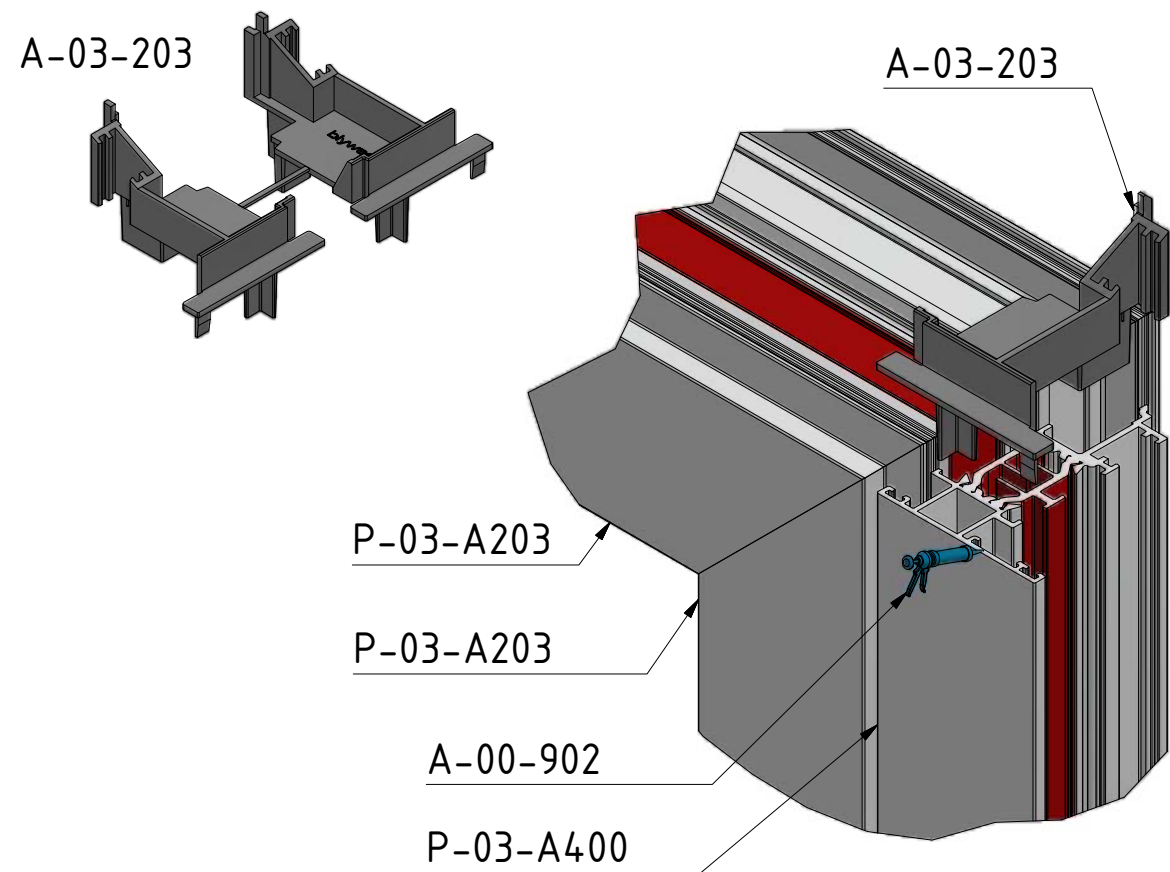
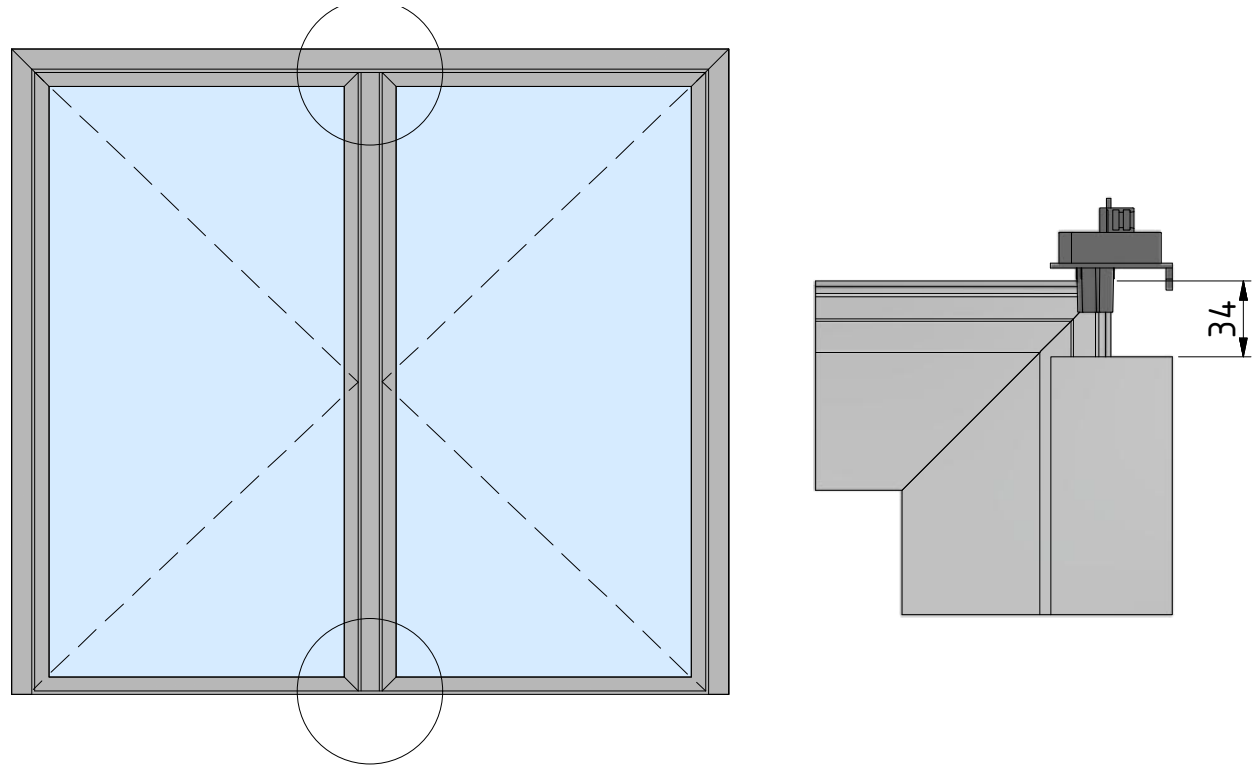


A-KM-5402

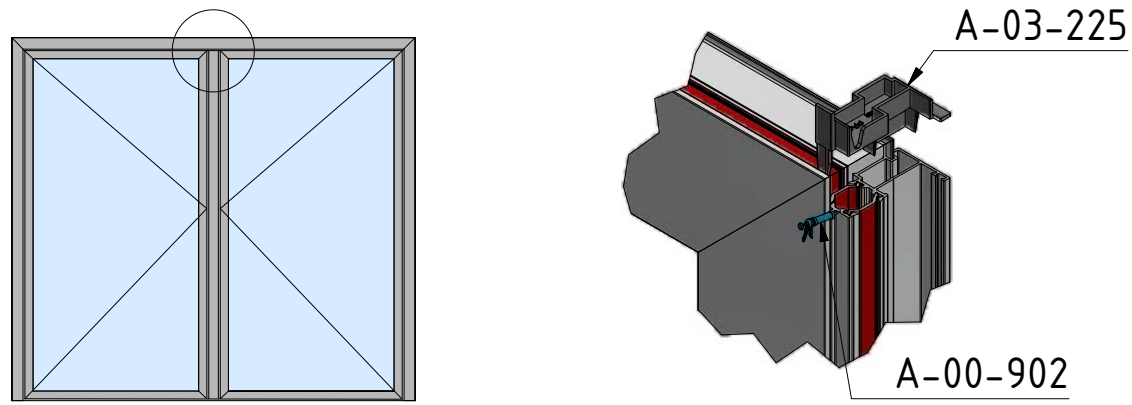
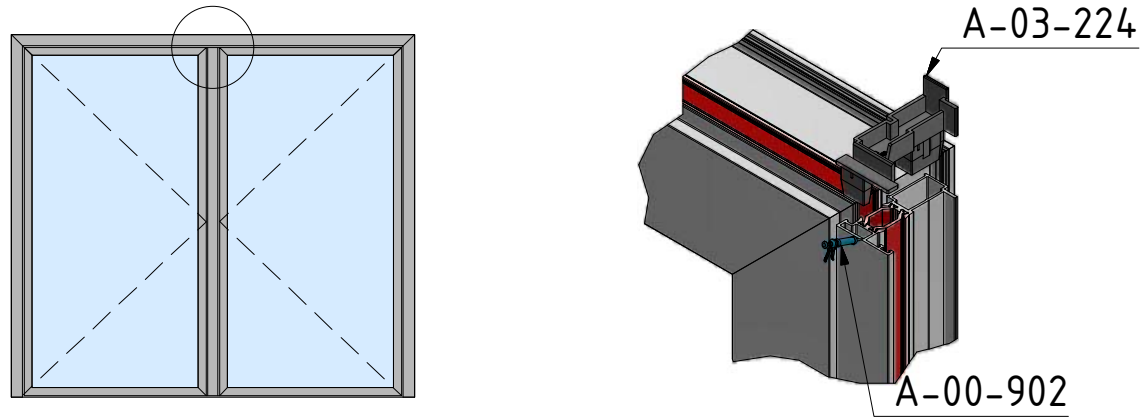
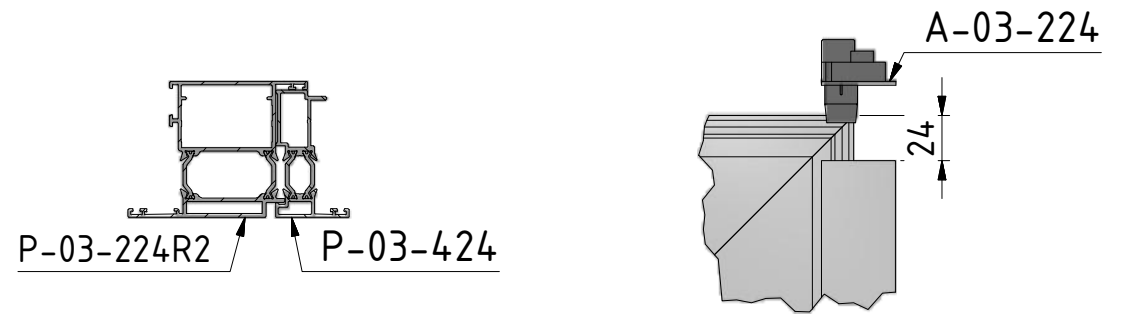


- | | |
|----------|----------|
| A-BS-023 | A-BF-004 |
| A-BS-024 | A-BF-005 |
| A-BS-084 | A-BF-006 |

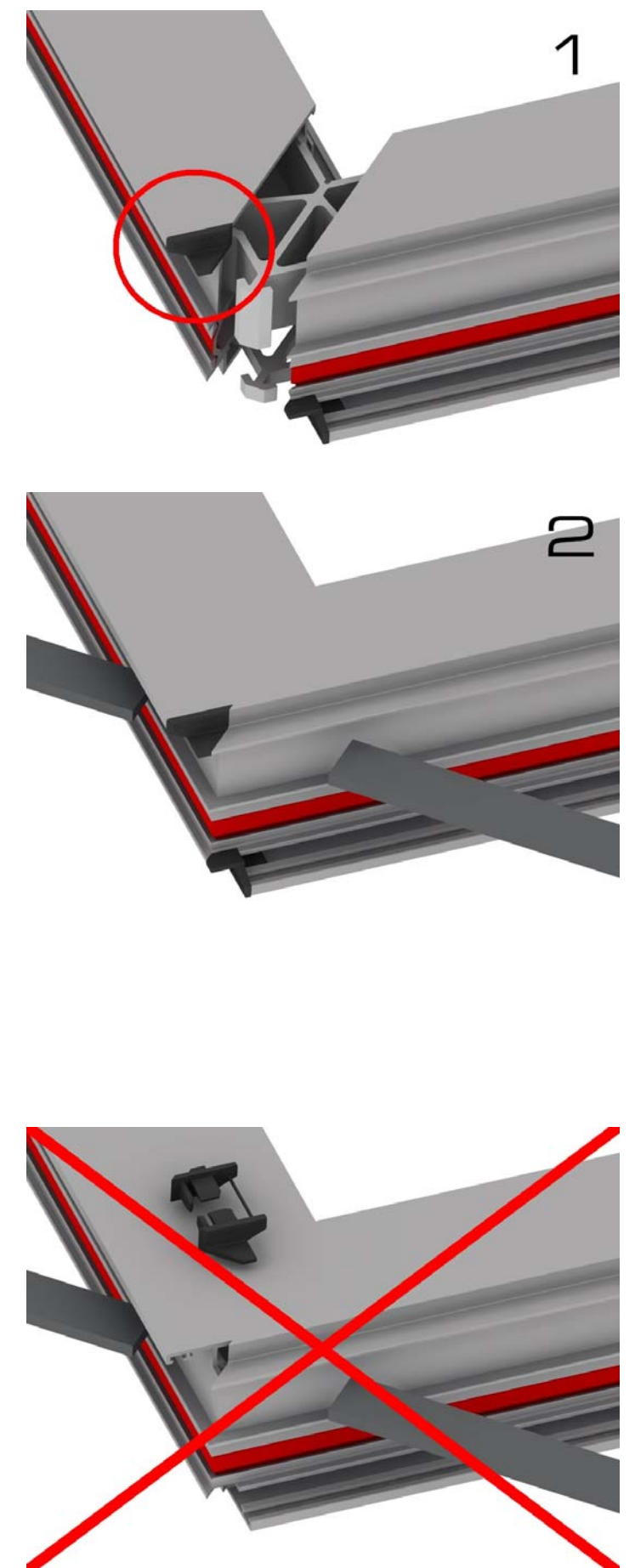
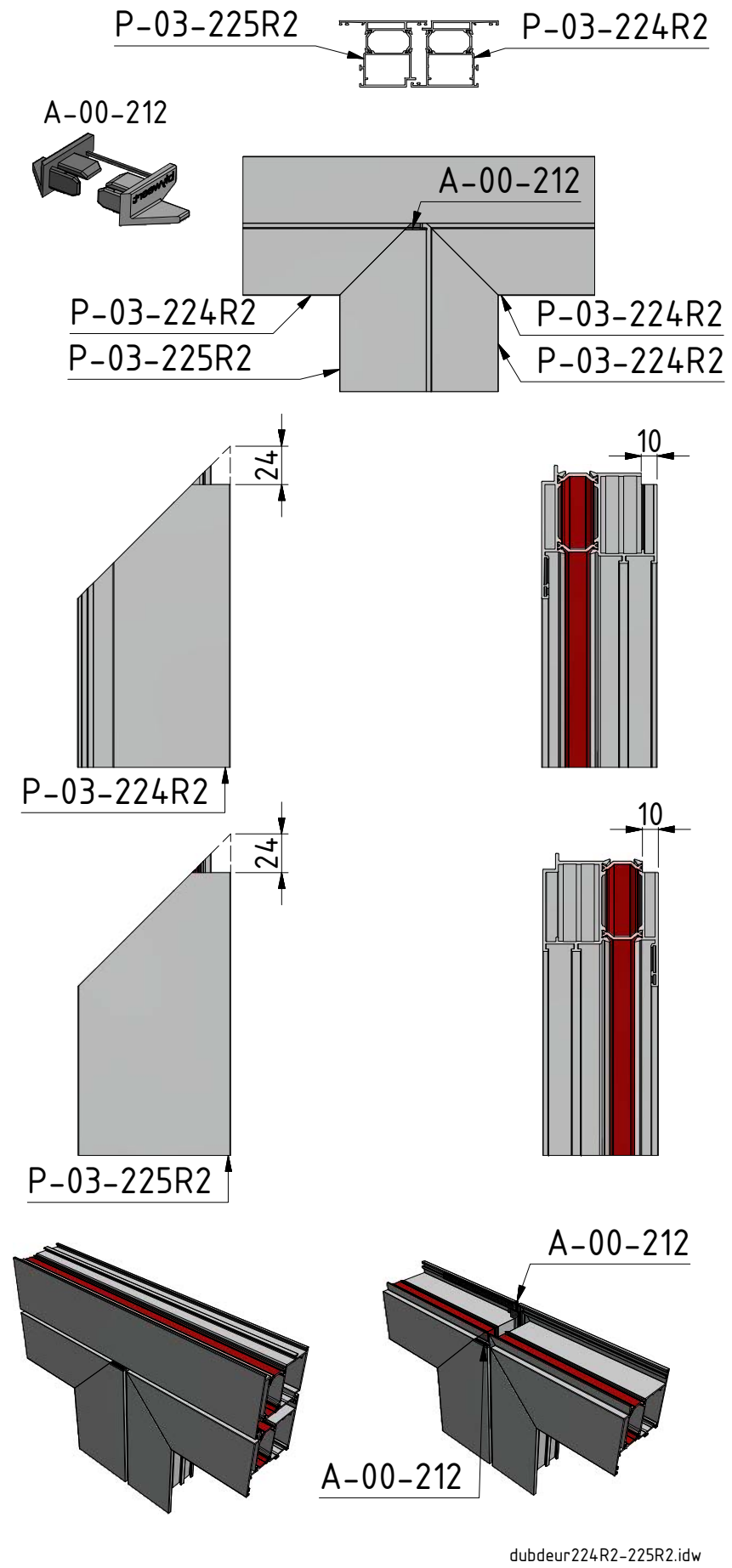
krukopening.idw

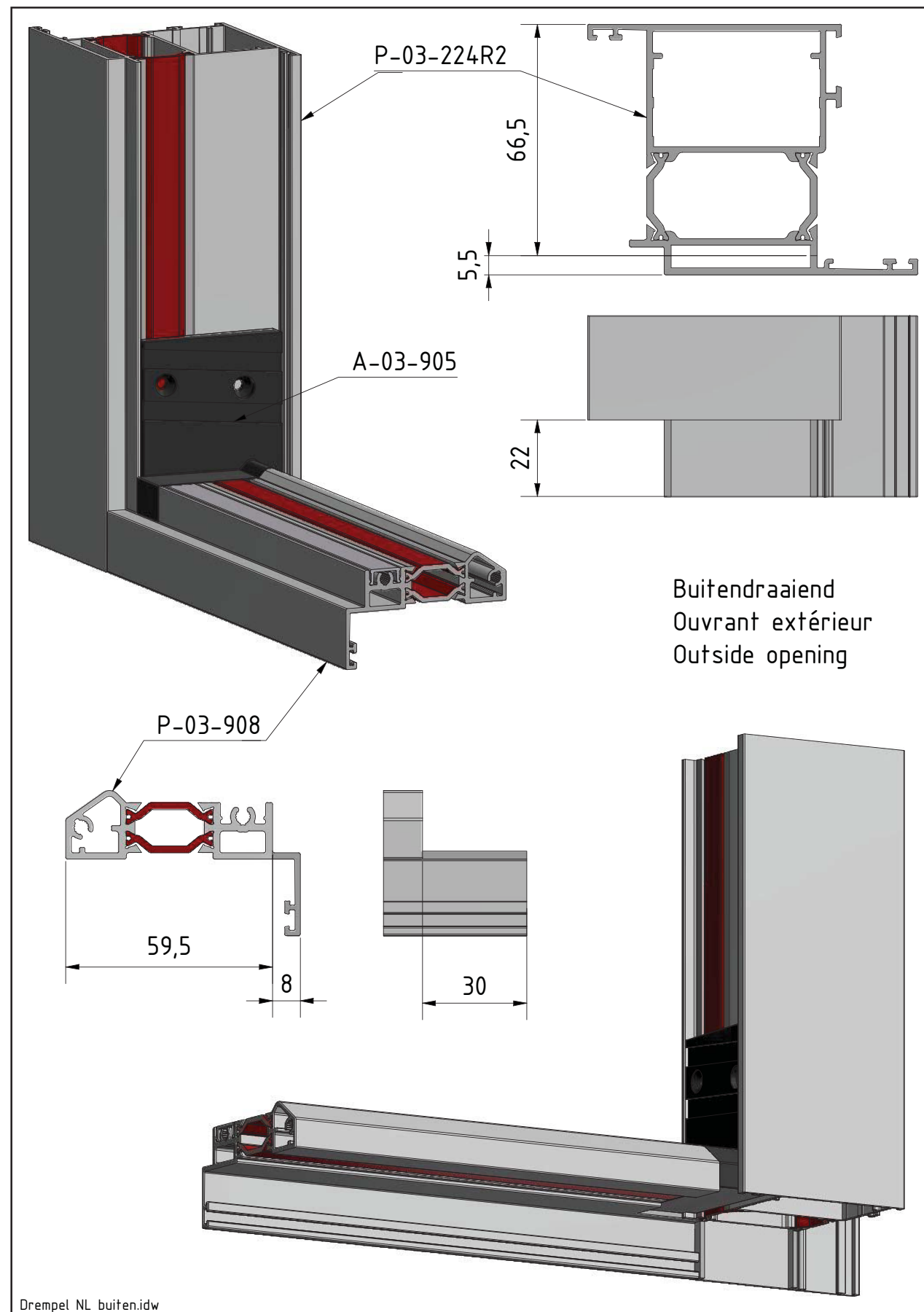
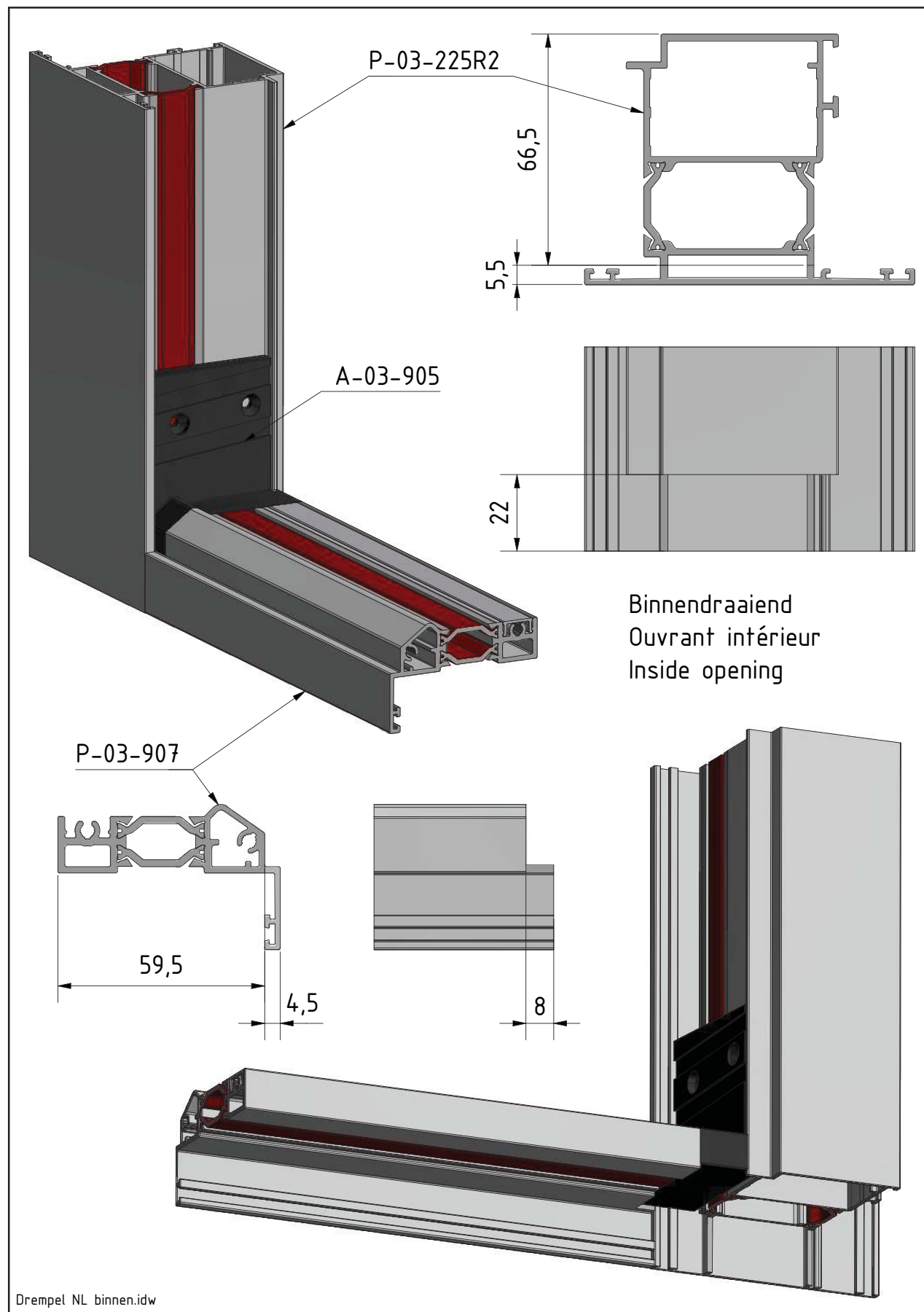


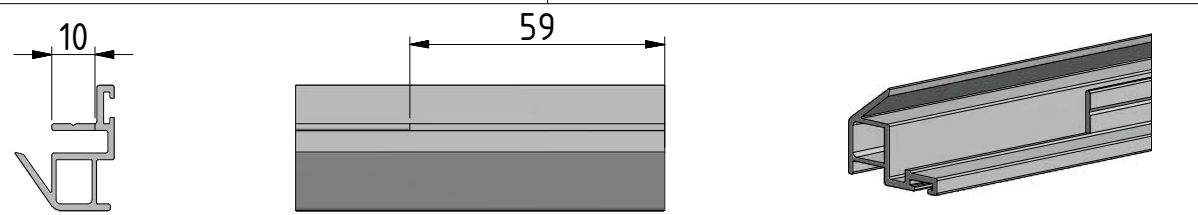
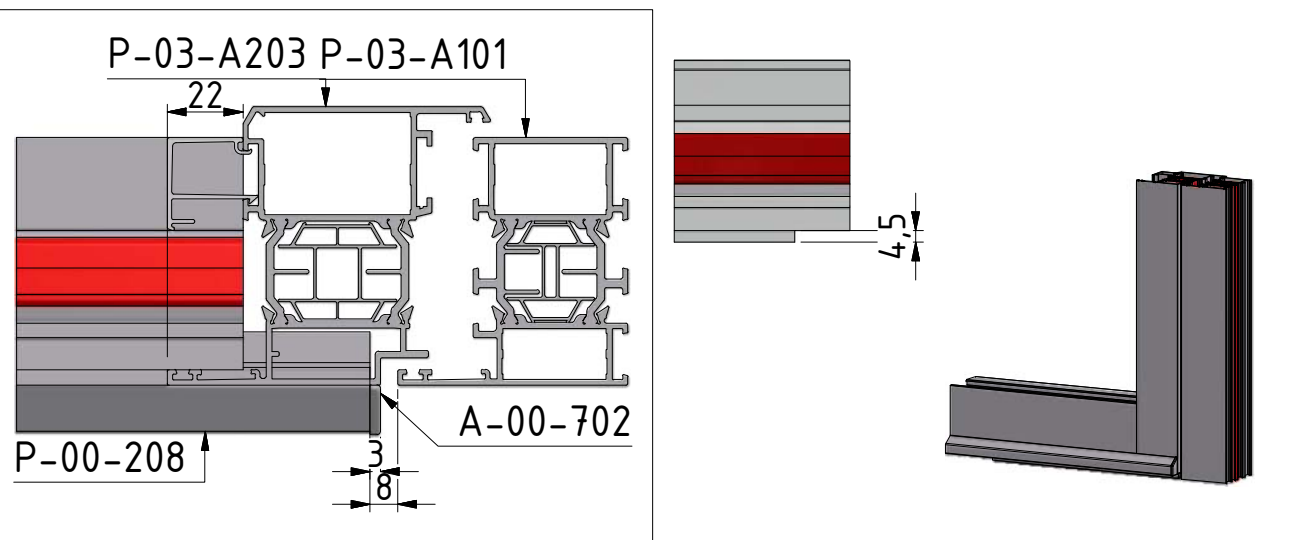
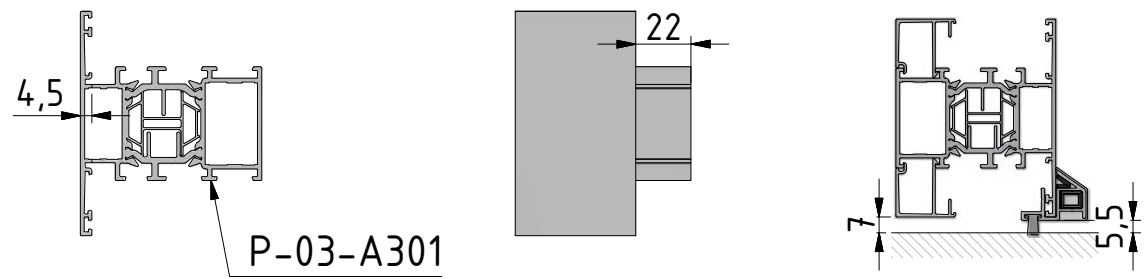
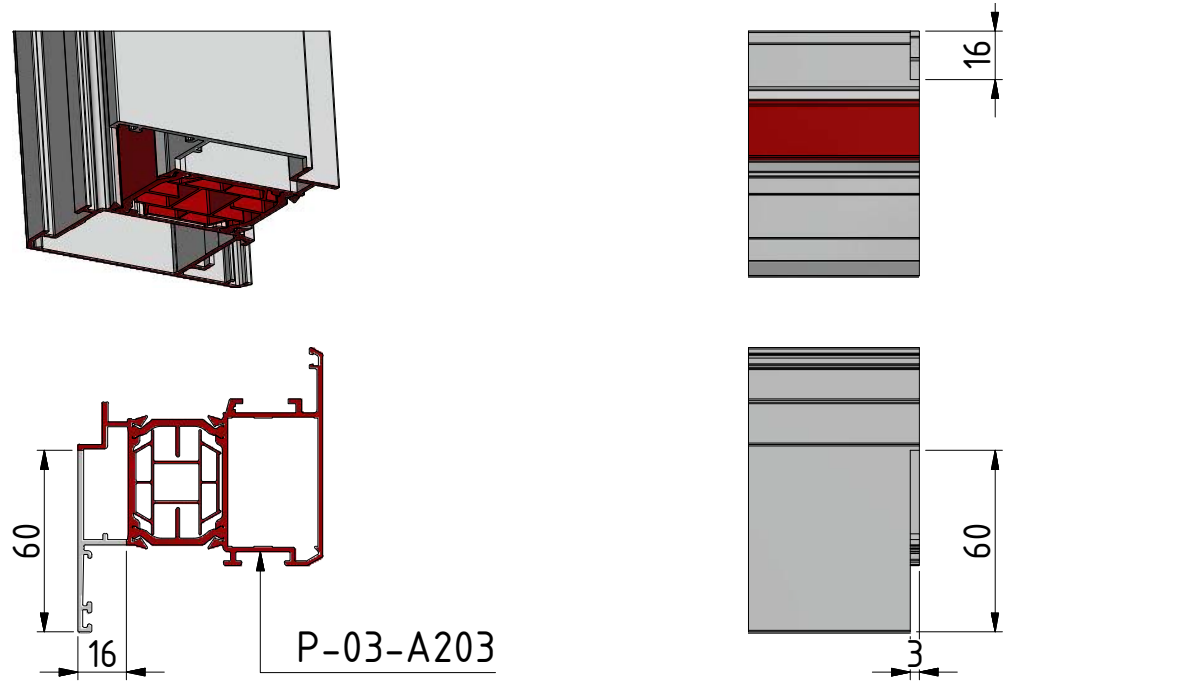
stolpeindTR_deur.idw



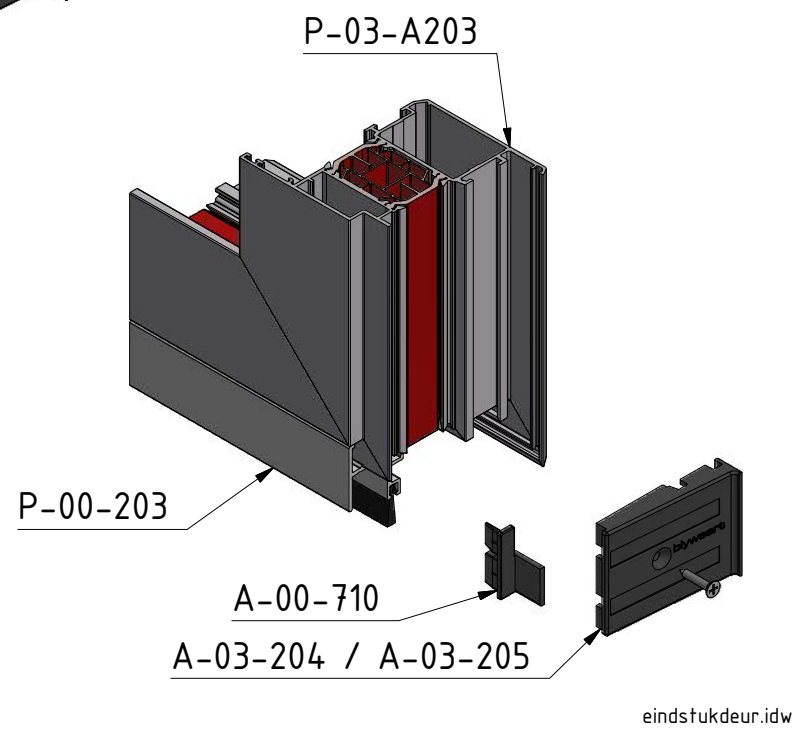
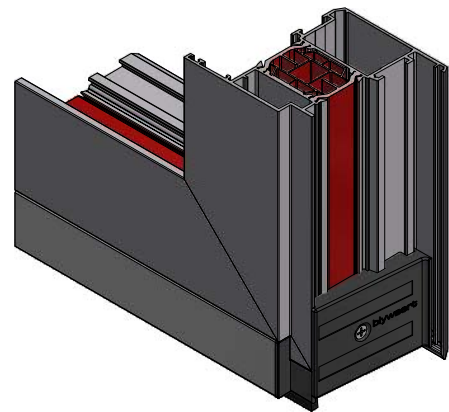
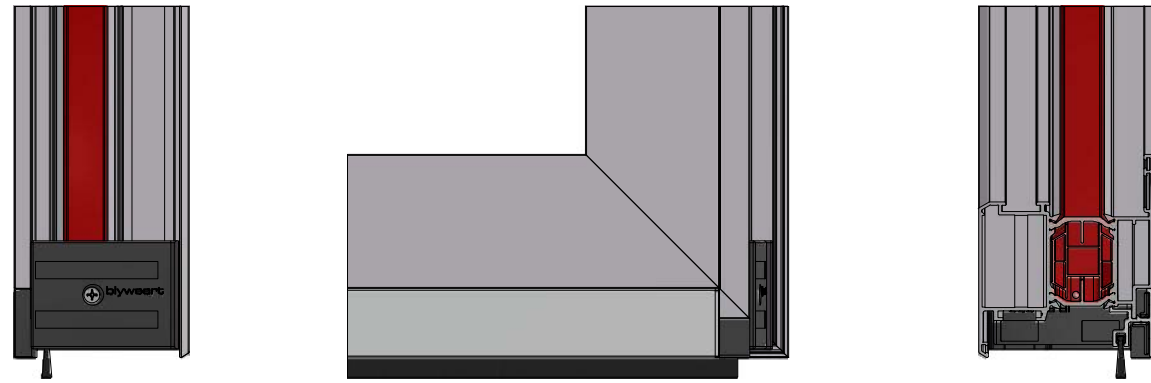
stolpeindTR_vlakR2.idw



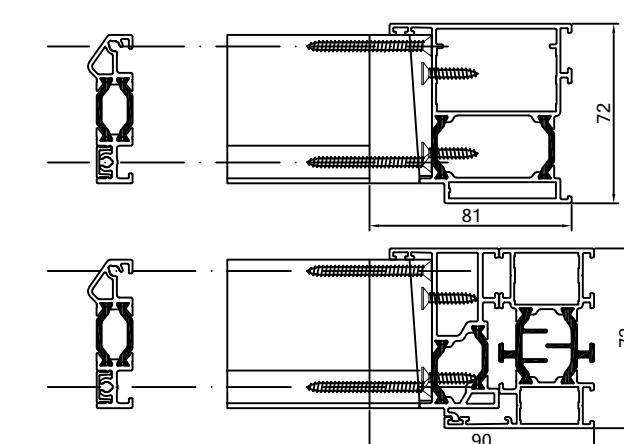
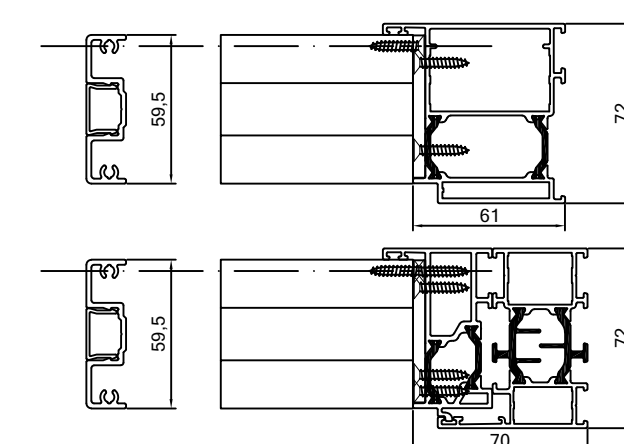
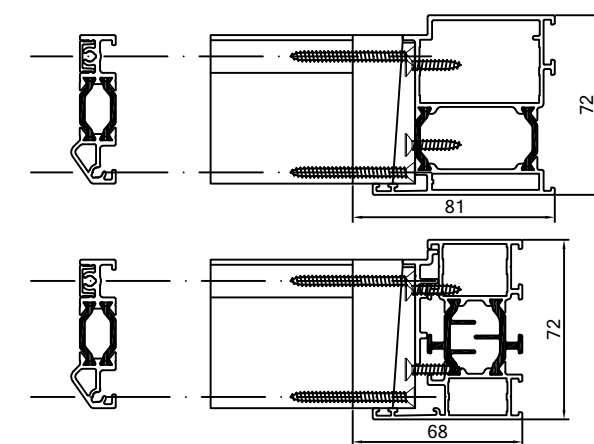
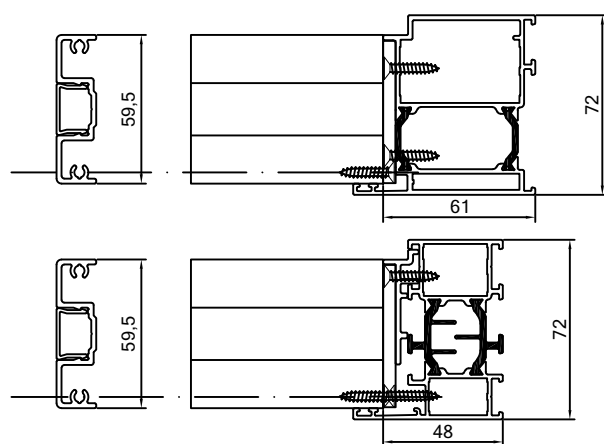
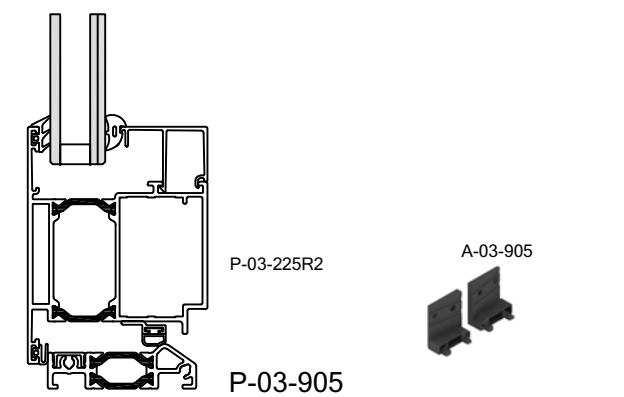
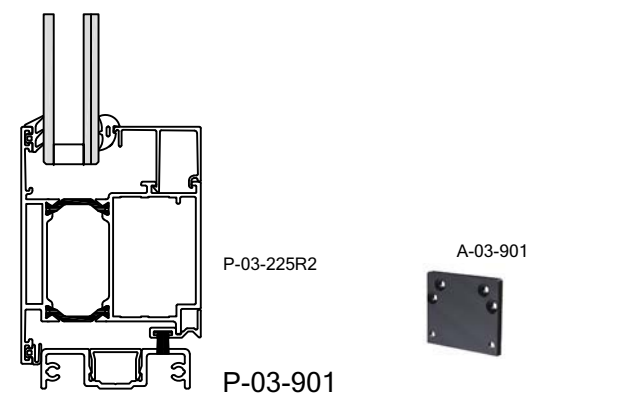
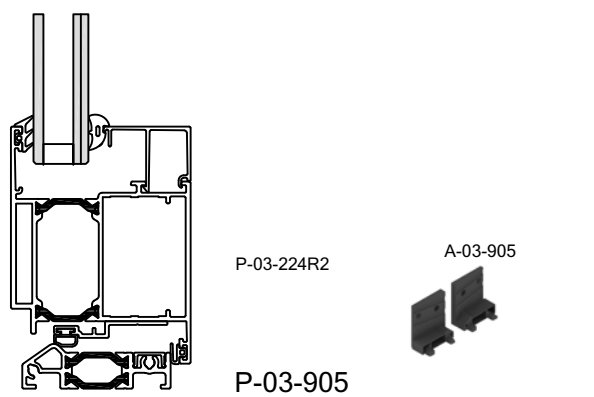
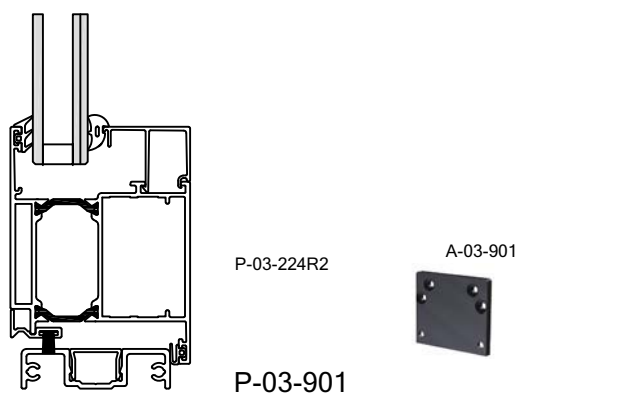
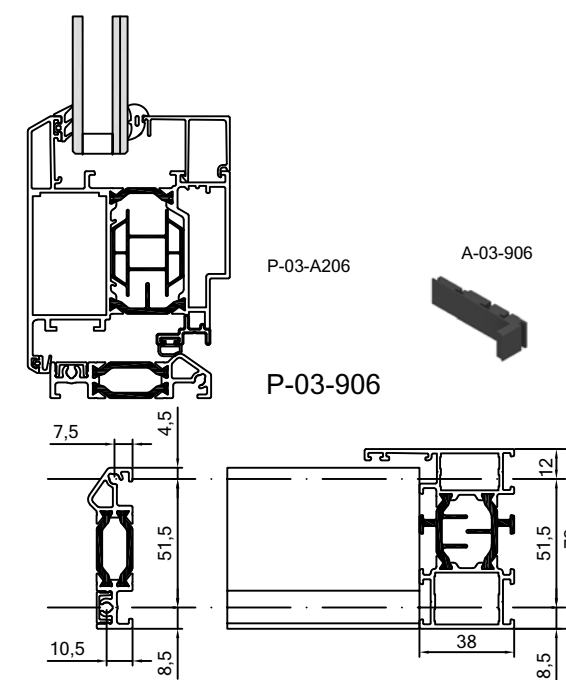
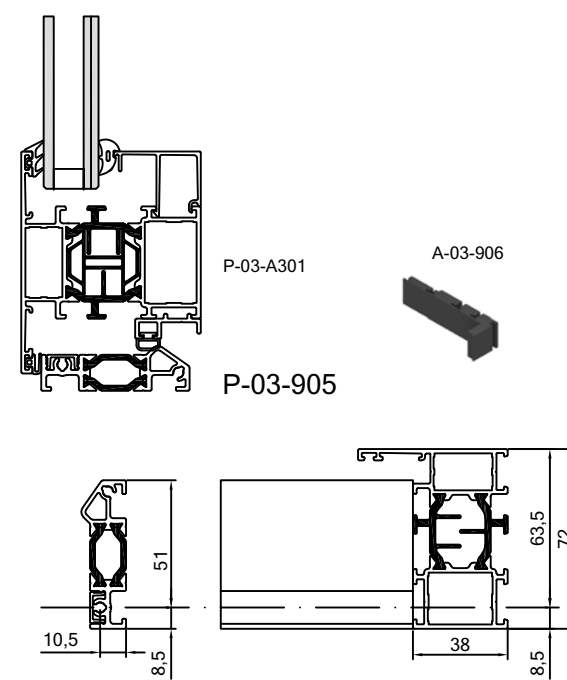
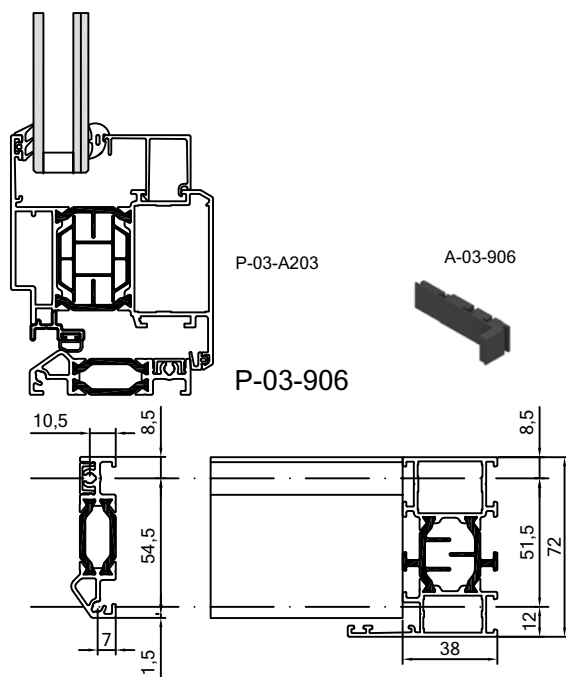
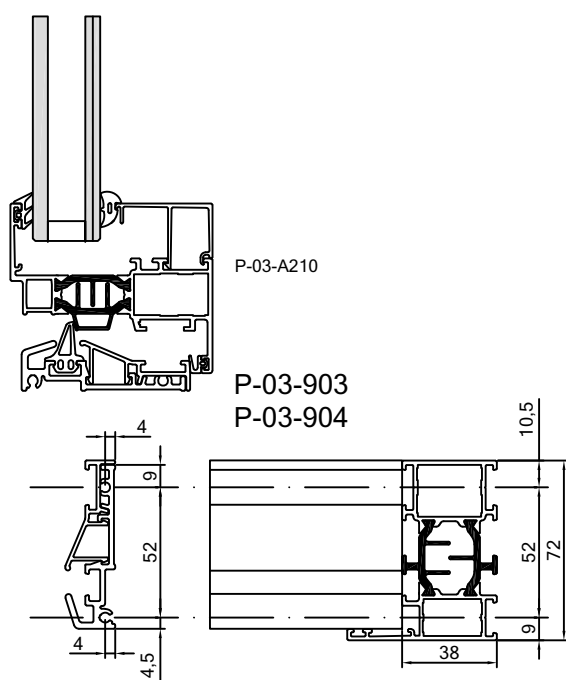


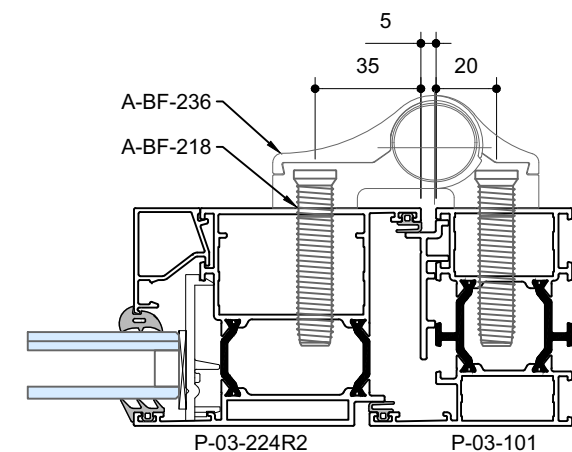
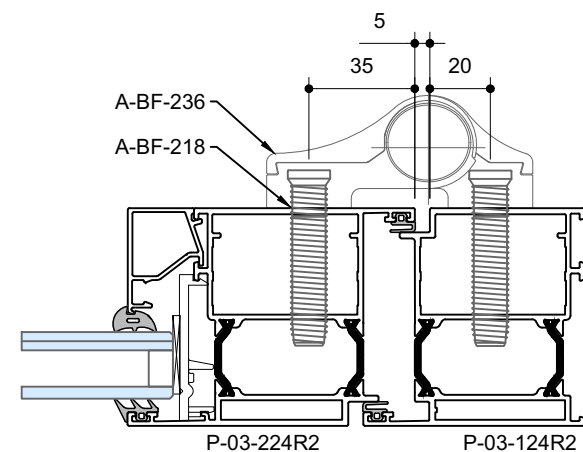
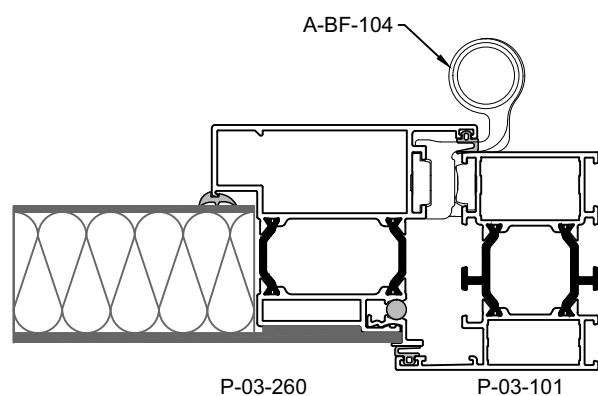
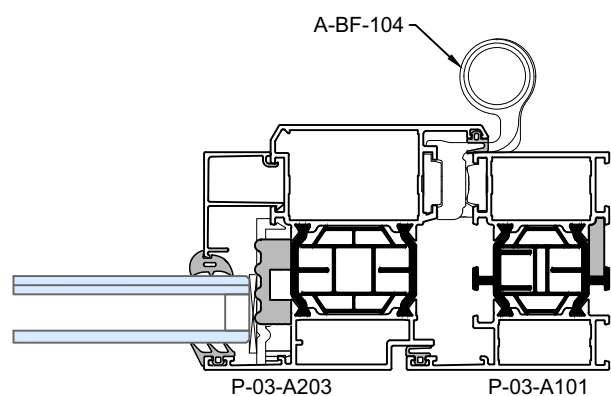
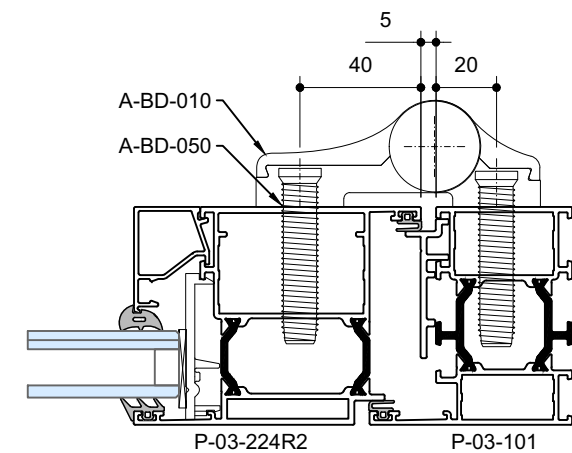
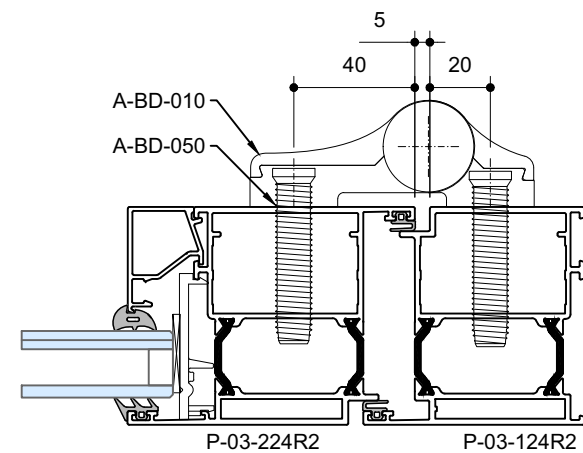
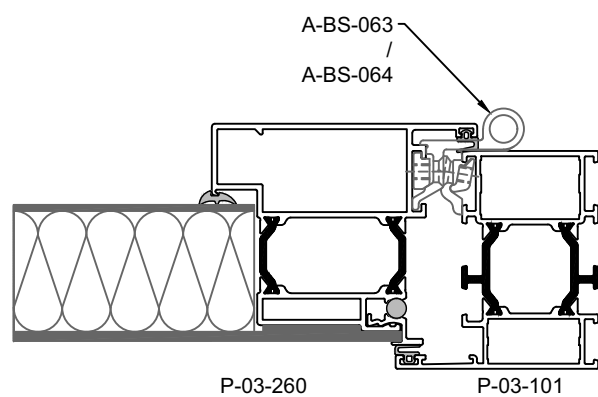
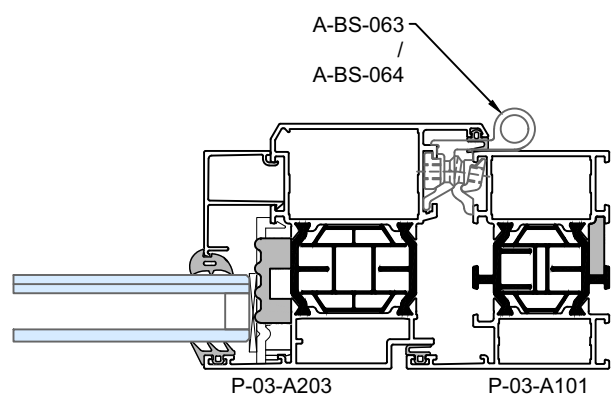
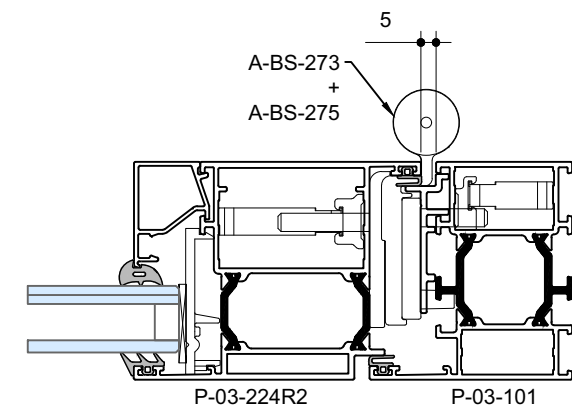
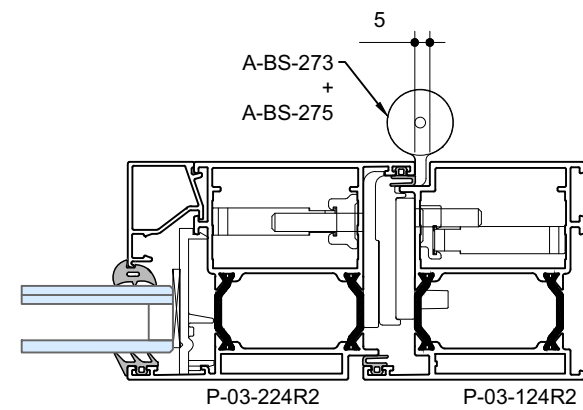
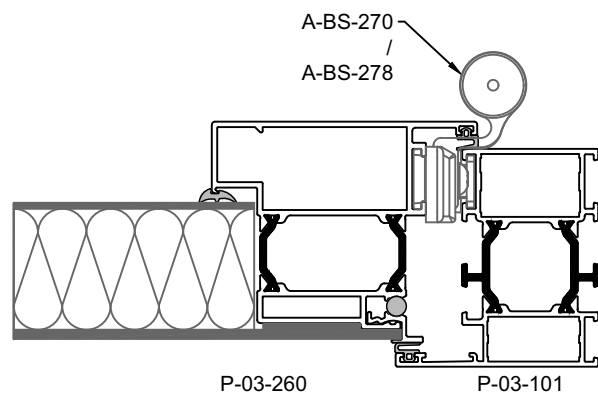
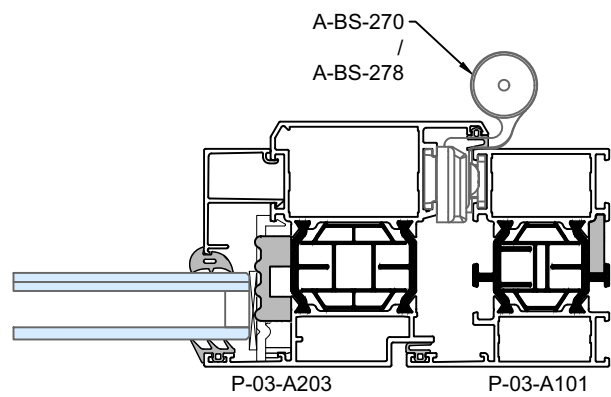


Deur_t-stijl.idw

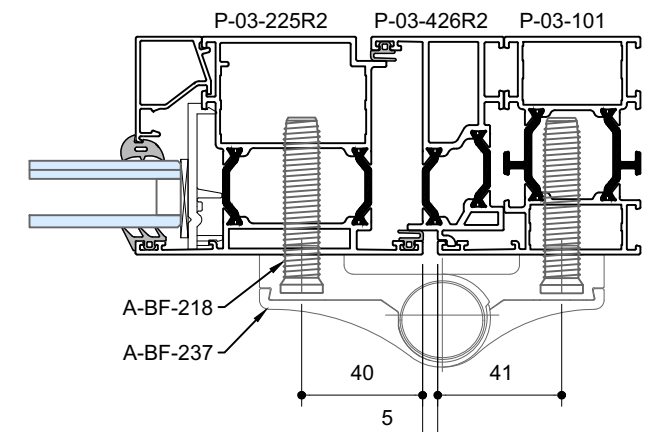
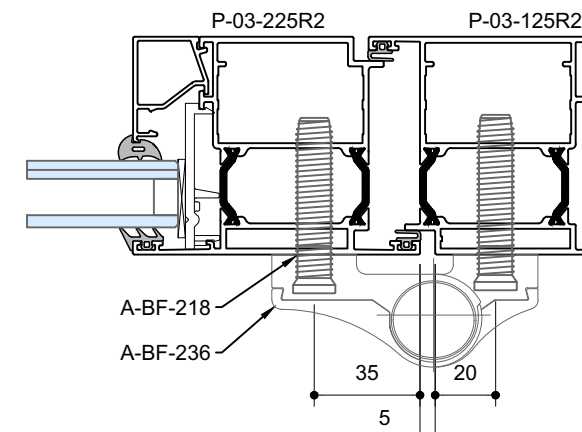
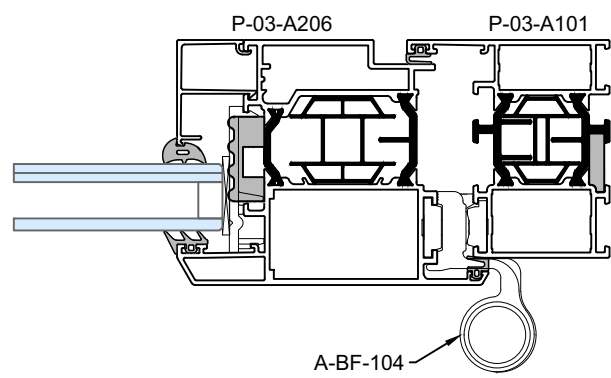
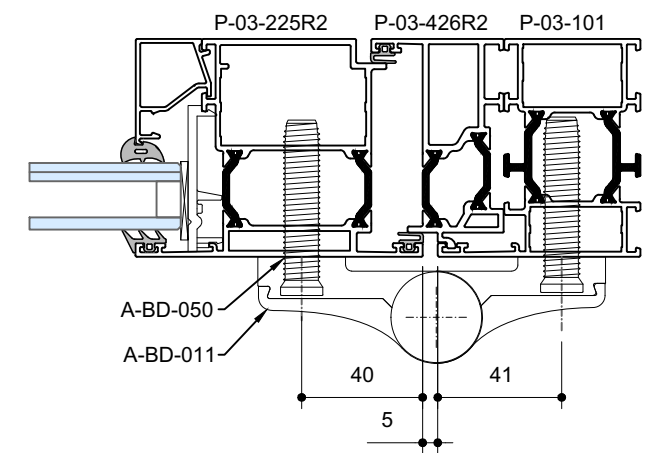
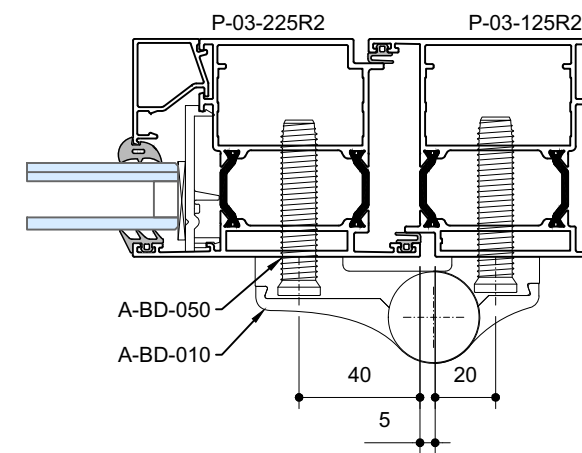
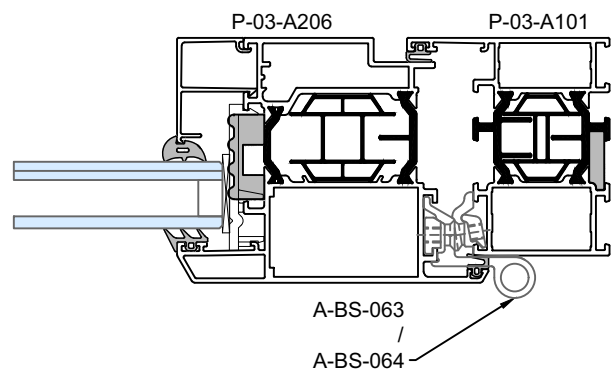
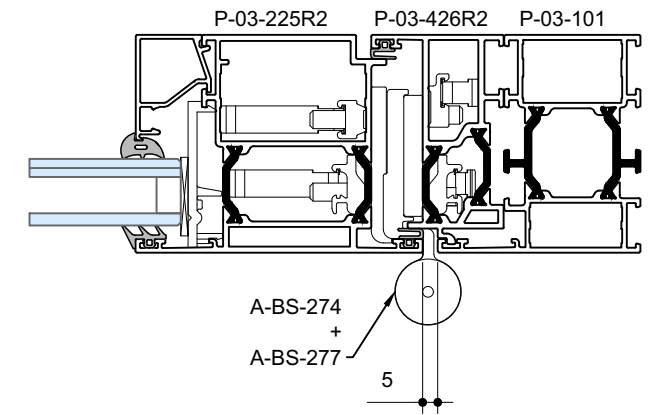
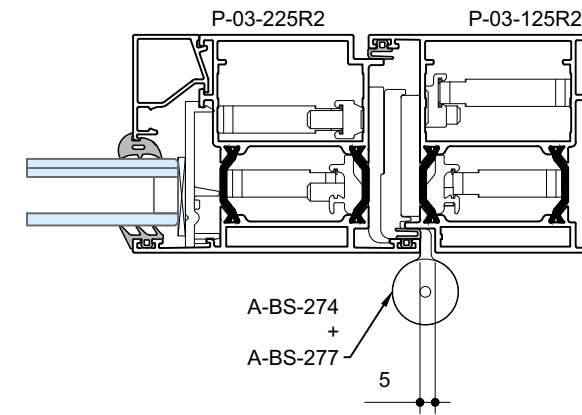
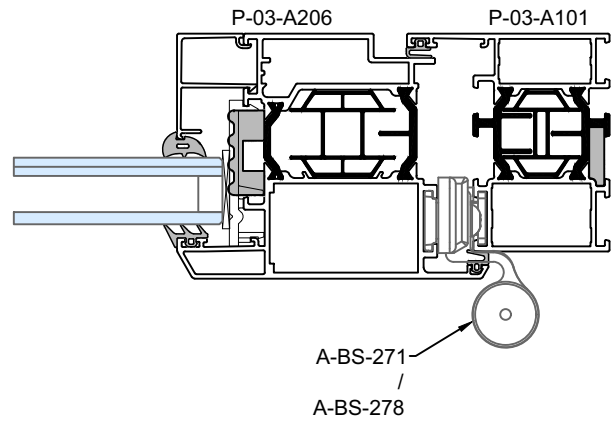


einstukdeur.idw

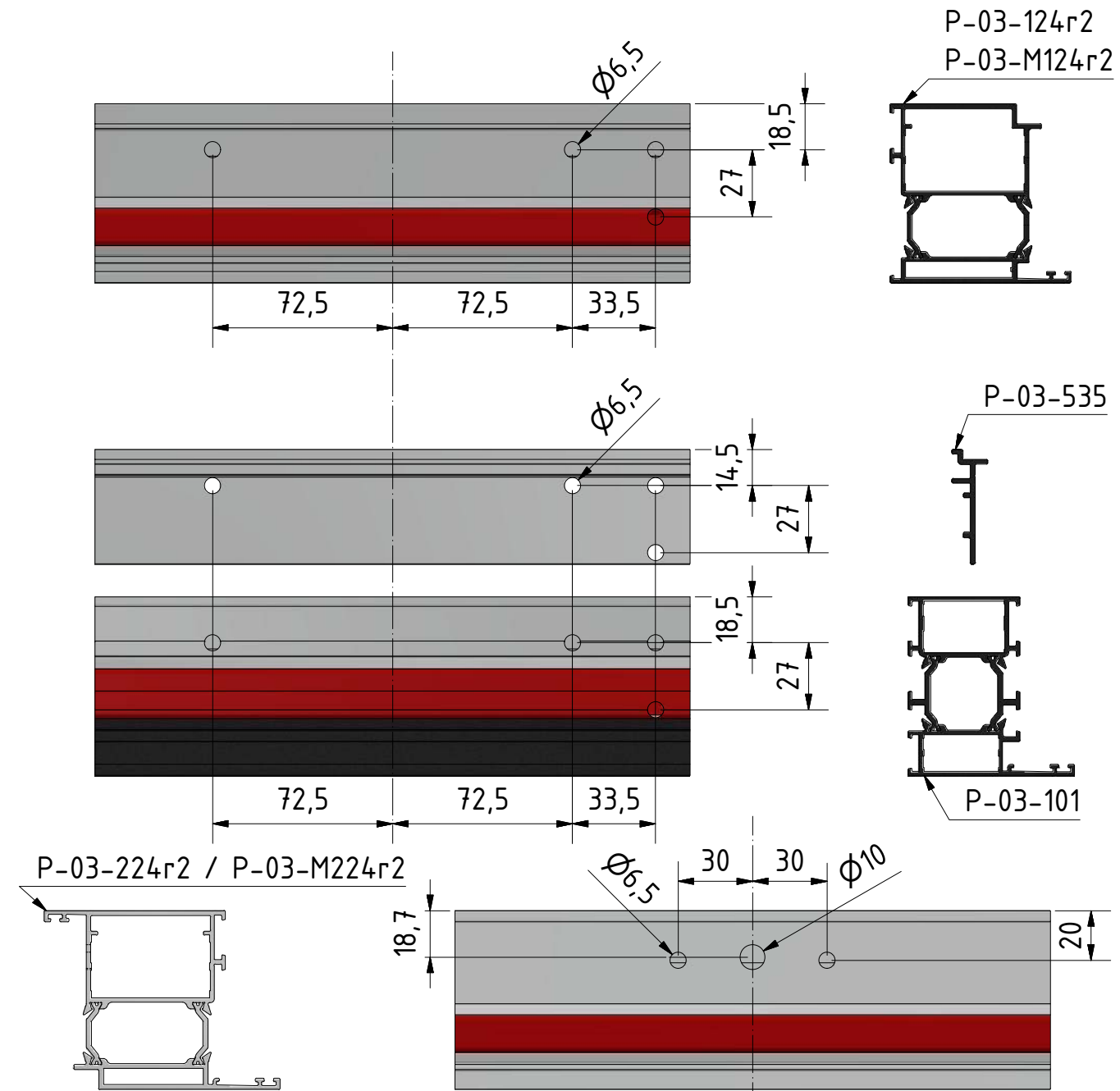
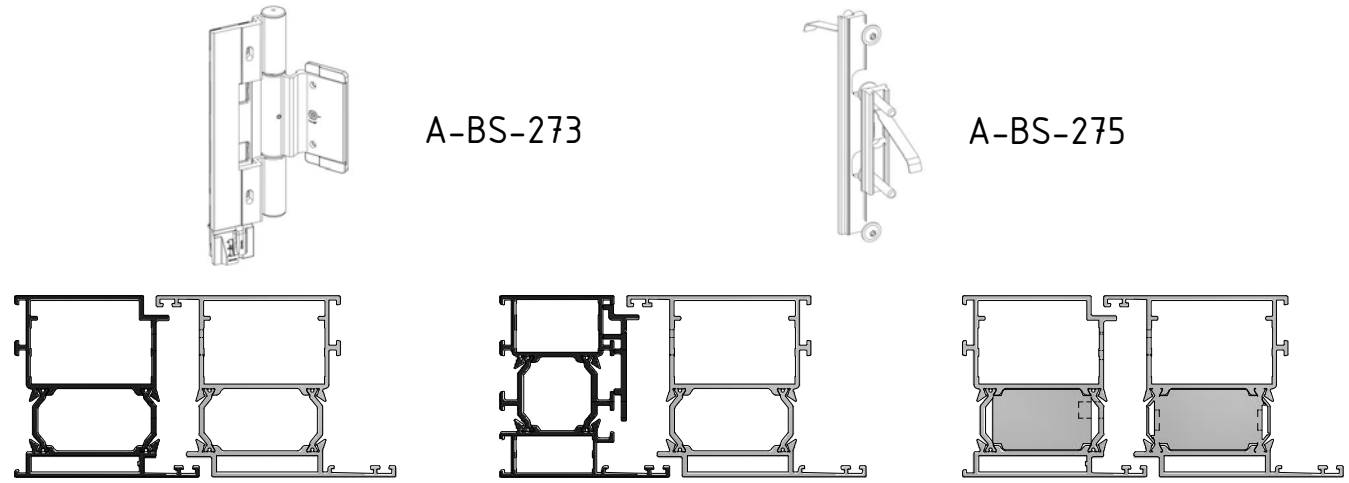


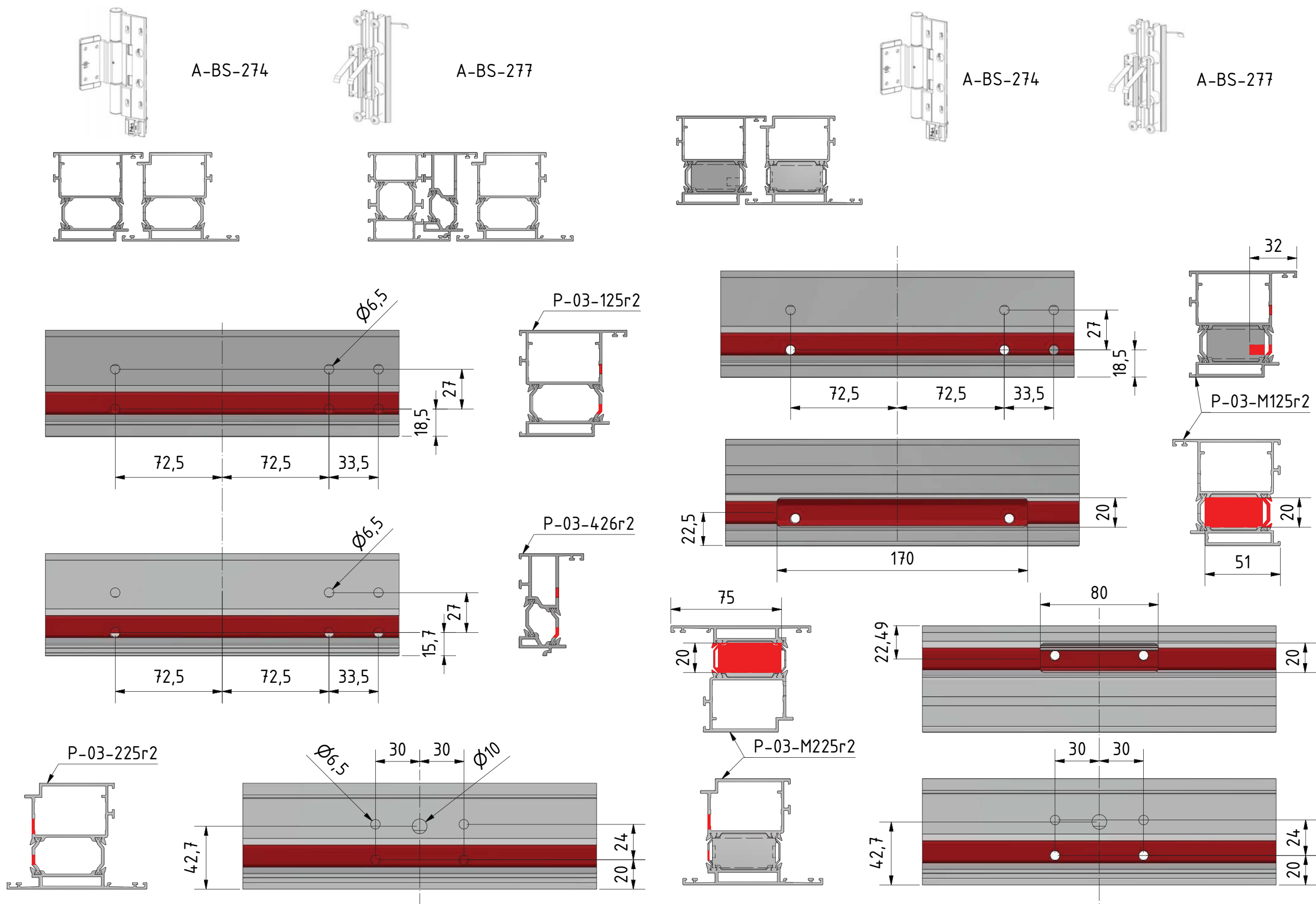


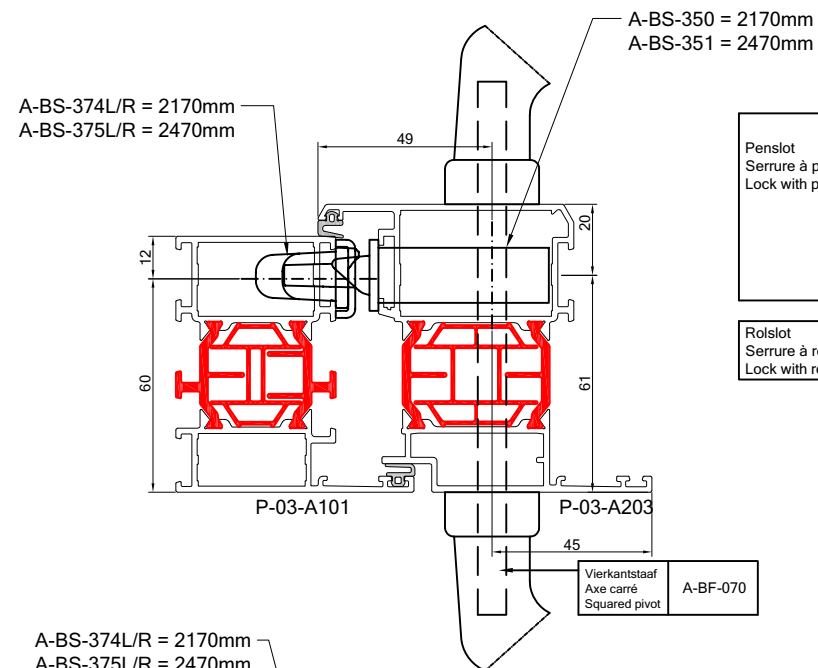
scharnieren



scharnieren

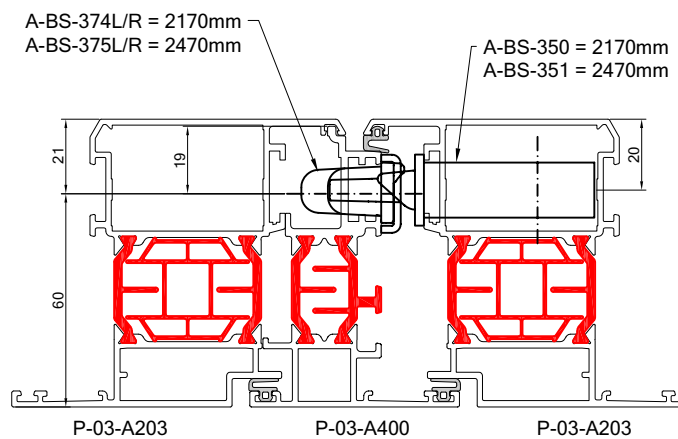
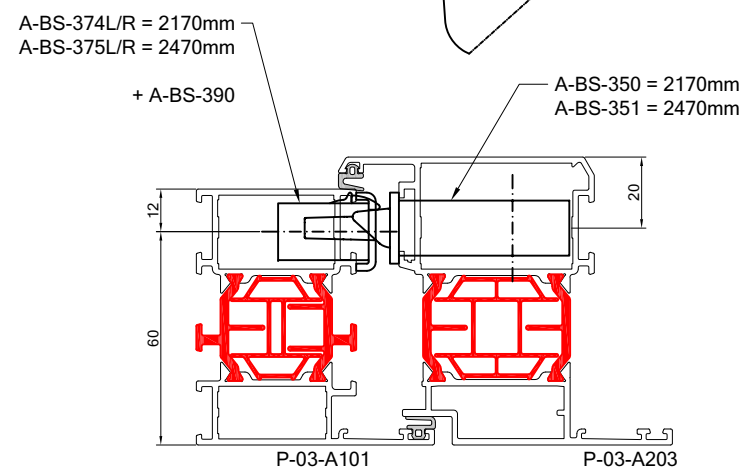
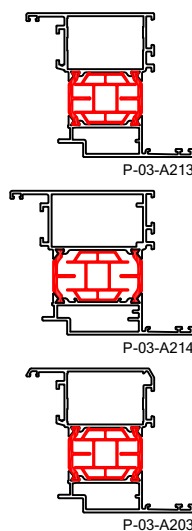






	Slottype Type serrure Locktype	Slotplaat Gache Lockplate	(elektrisch) (electrique) (electric)
Penslot Serrure à pêne Lock with pen	A-BS-350 h= 2170mm	A-BS-374L / R h= 2170mm A-BS-372L / R 2x A-BS-373	+A-BS-390
	A-BS-351 h= 2470mm	A-BS-375L / R h= 2470mm A-BS-372L / R 2x A-BS-373	+A-BS-390

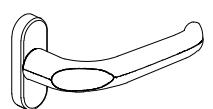
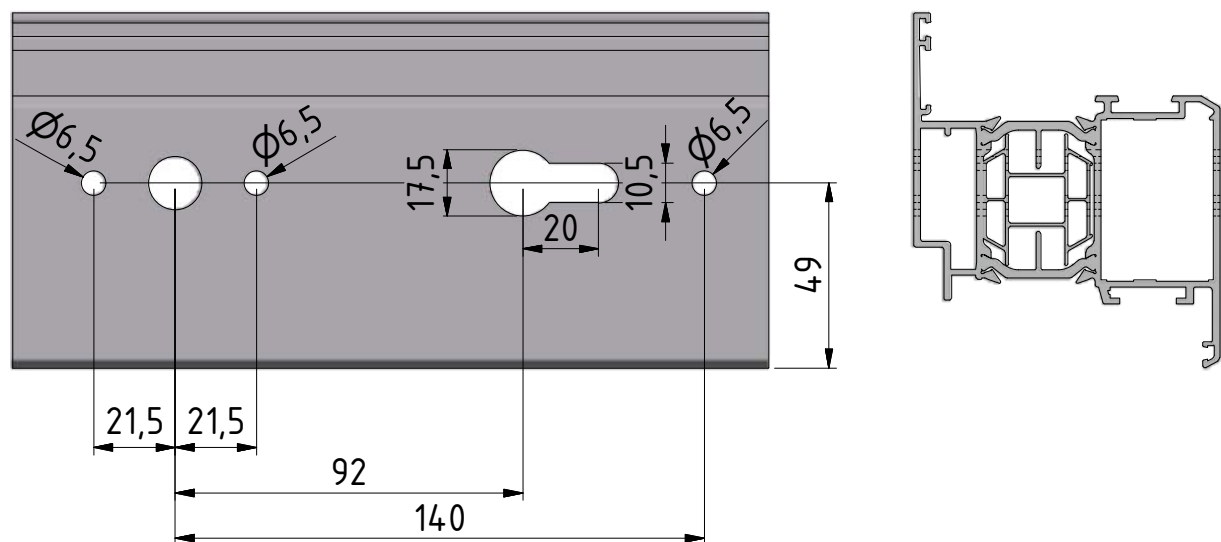
Rolslot Serrure à rouleau Lock with roll	+A-BS-395
--	-----------



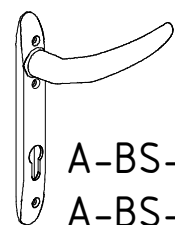
	Cilinder Cylindre Cylinder	Veiligheidscil. Cyl. sécurité Safety cyl.	Cilinder 1/2 Cylindre 1/2 Cylinder 1/2
Zonder Sans Without	A-00-CE3060	A-00-CV3060	A-00-CE30
Langschild Plaque longue Long plate	A-BS-252 + A-BS-253 A-00-CE3575	A-00-CV3575	A-00-CE35
	A-BS-254 + A-BS-255 Horizon A-BL-...	A-00-CE3070	A-00-CE30
Cilinderplaatje Plaque de cylindre Cylinder plate	A-00-CE3070	A-00-CV3070	A-00-CE30
	2 x A-BF-058		

Schroeven - Vis - Screws	
Langschild Plaque longue Long plate	A-00-M5100 DIN 913 ISO 7046 M 5 x 100
Langschild Plaque longue Long plate	SKG DIN 913 ISO 7046 M 6 x 100
Dubbele kruk + anti krukdiefstal Béquille double + anti béquille vole Dobble handle + anti handle theft	A-BF-057 A-BF-069 (2x) DIN 913 ISO 7046 M 5 x 95

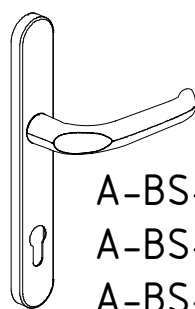
TRdeur_binnen.dwg



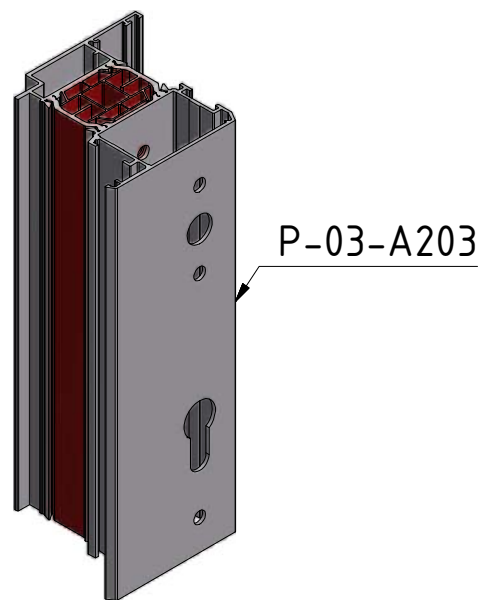
- A-BS-810
- A-BS-811
- A-BS-812
- A-BS-813



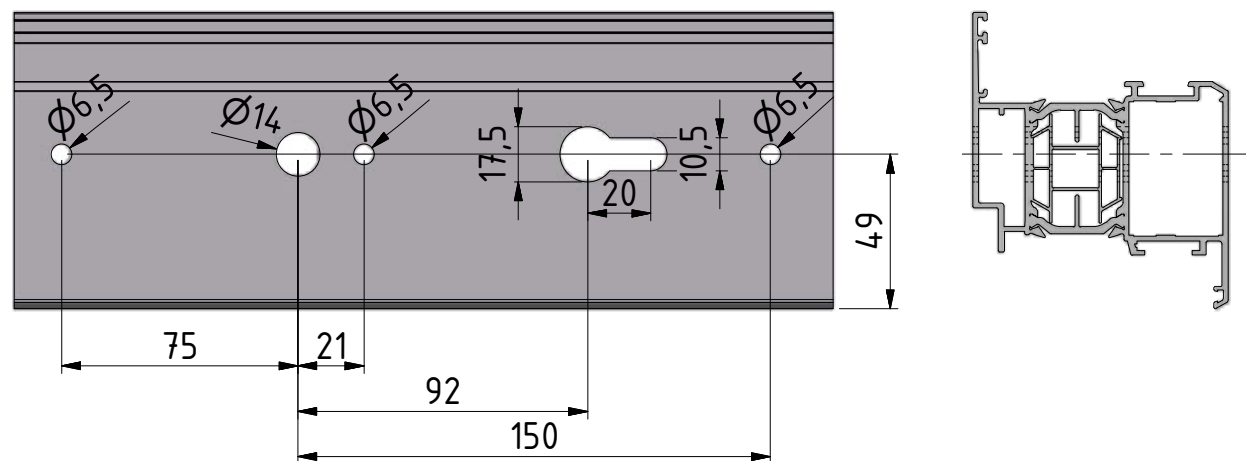
- A-BS-252
- A-BS-253



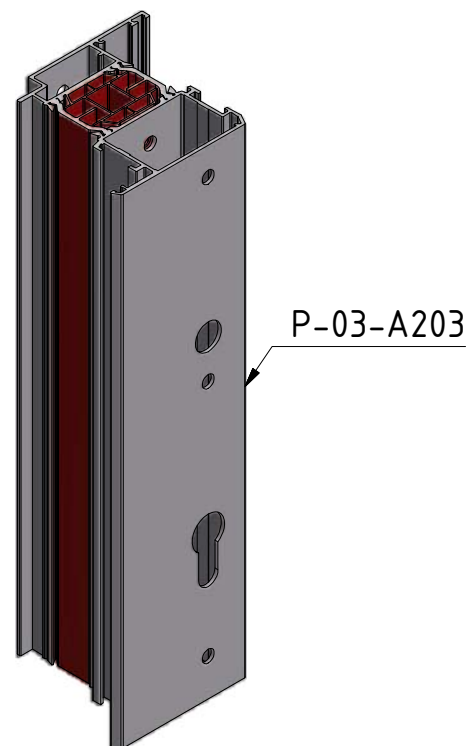
- A-BS-801
- A-BS-802
- A-BS-804
- A-BS-805



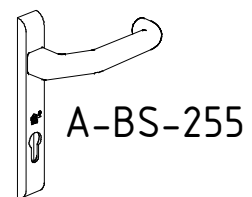
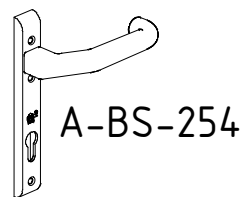
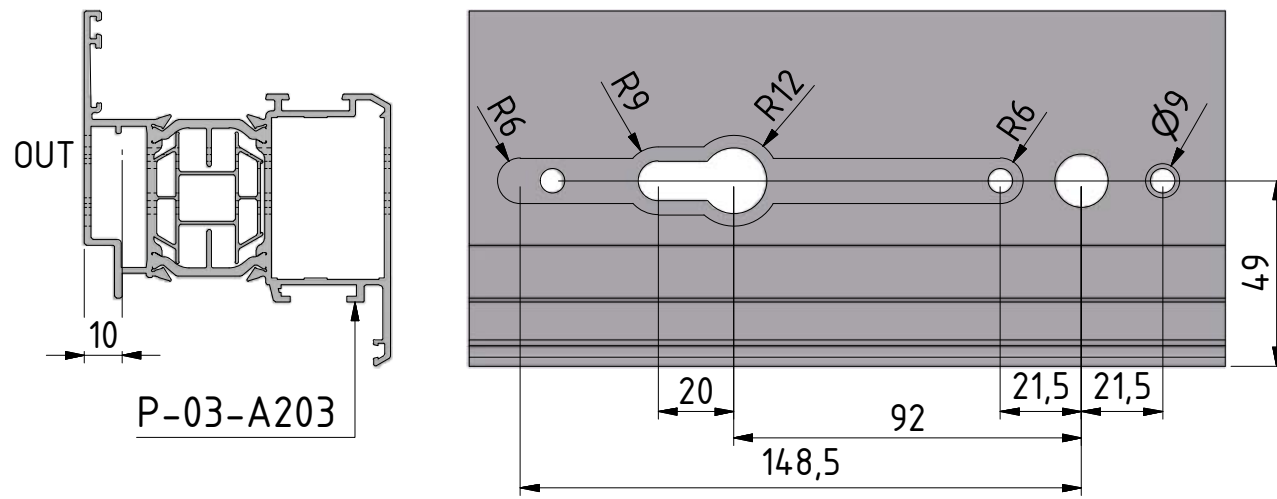
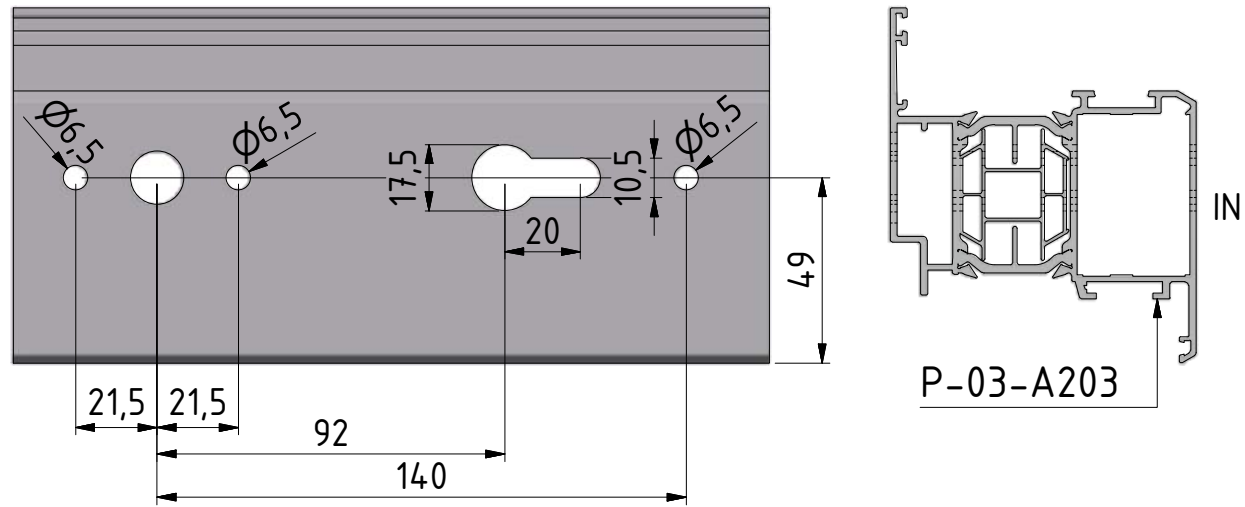
uitfrezing deurkruk.idw



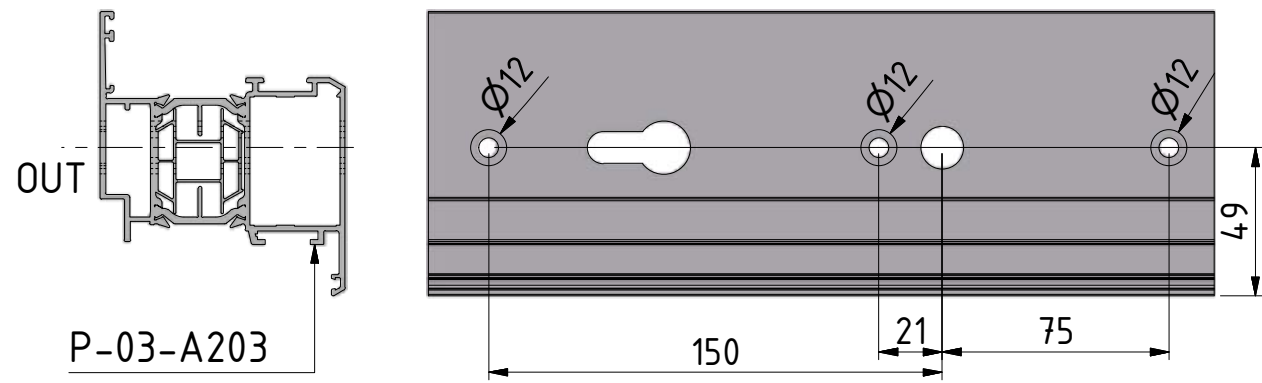
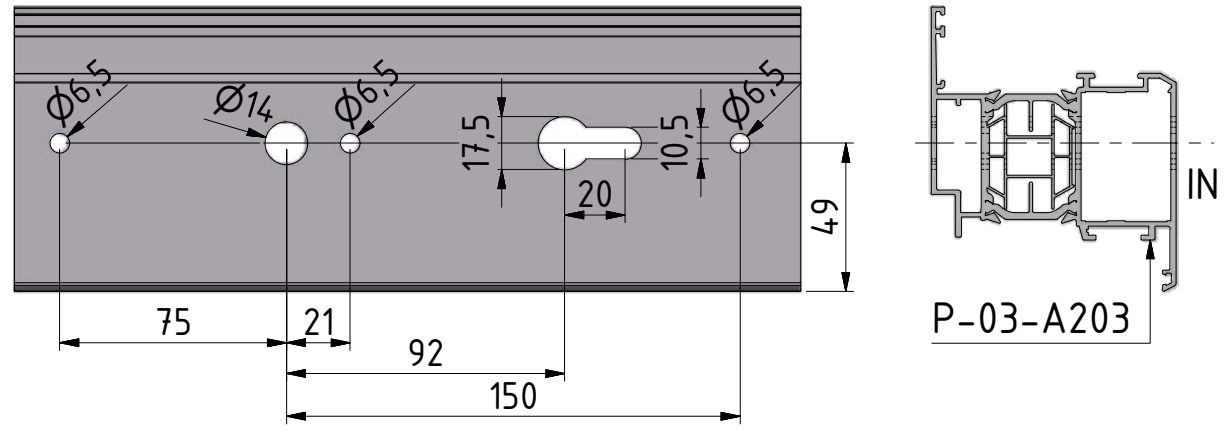
A-BL-004
A-BL-005



uitfrezing deurkruk_BL.idw



uitfrezing deurkrukSKG.idw



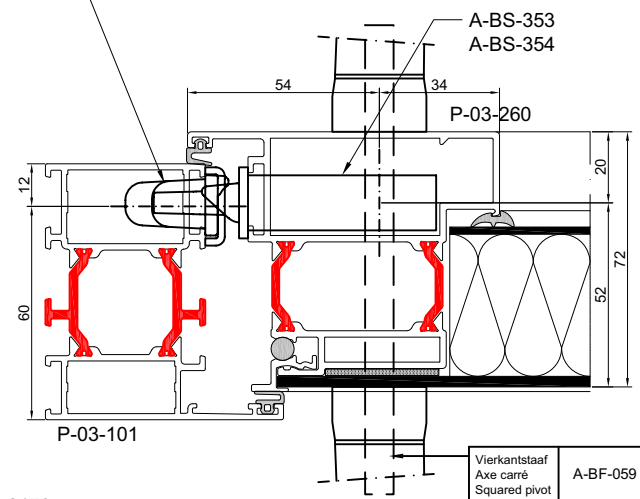
A-BL-001
A-BL-003



A-BL-002

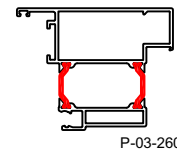
uitfrezing deurkrukSKG_BL.idw

A-BS-374L/R = 2170mm
A-BS-375L/R = 2470mm

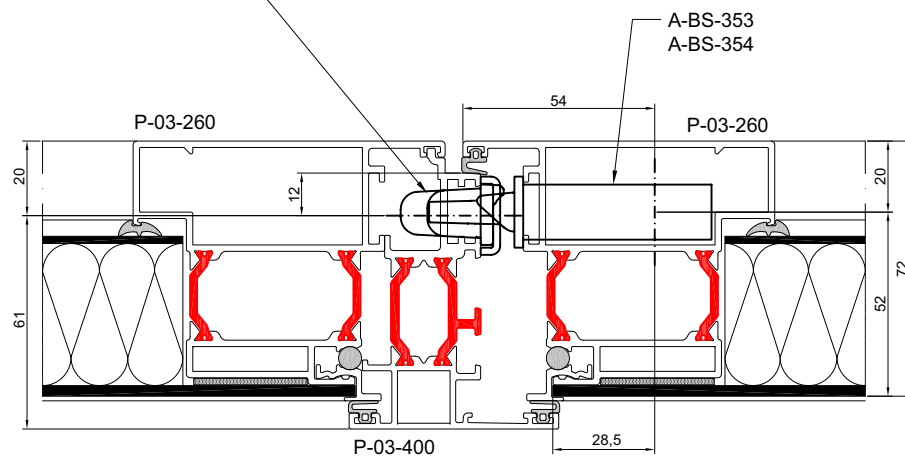


	Slottype Type serrure Locktype	Slotplaat Gache Lockplate	
Penslot Serrure à pêne Lock with pen	A-BS-353 h= 2170mm	A-BS-374L / R h= 2170mm A-BS-372L / R 2x A-BS-373	+A-BS-390
	A-BS-354 h= 2470mm	A-BS-375L / R h= 2470mm A-BS-372L / R 2x A-BS-373	+A-BS-390
Rolslot Serrure à rouleau Lock with roll	+A-BS-398		

Vierkantstaaf
Axe carré
Squared pivot A-BF-059



A-BS-374L/R = 2170mm
A-BS-375L/R = 2470mm

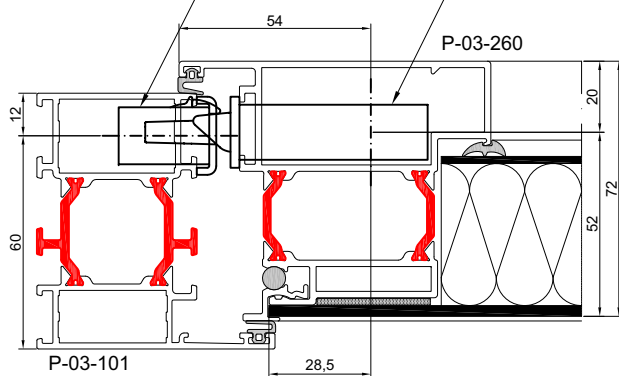


A-BS-374L/R = 2170mm
A-BS-375L/R = 2470mm

+A-BS-390

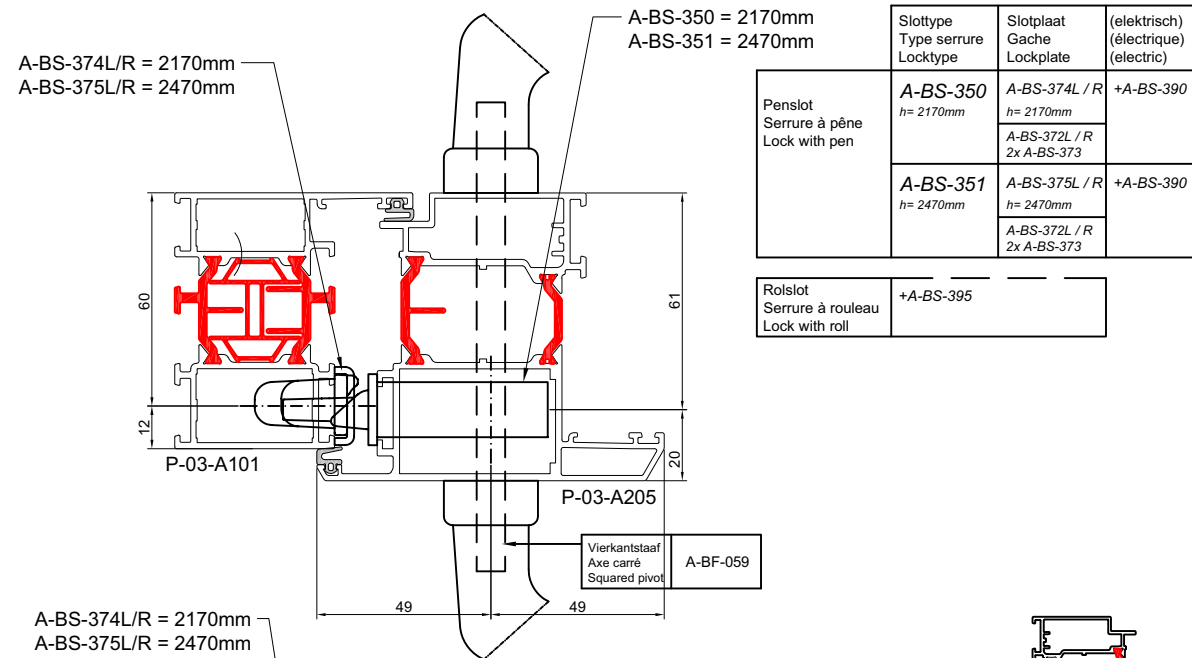
A-BS-353
A-BS-354

	Cilinder Cylindre Cylinder	Veiligheids cil. Cyl. sécurité Safety cyl.	Cilinder 1/2 Cylindre 1/2 Cylinder 1/2
Zonder Sans Without	A-00-CE3050	A-00-CV3050	A-00-CE30
Langschild Plaque longue Long plate	A-BS-252 A-BS-253 A-BS-254 A-BS-255	A-00-CE3565	A-00-CV3565
	A-00-CE3565	A-00-CV3565	A-00-CE35
Langschild Plaque longue Long plate	Horizon A-BL...	A-00-CE3065	A-00-CV3065
	A-00-CE3065	A-00-CV3065	A-00-CE30
Cilinderplaatje Plaque de cylindre Cylinder plate	A-00-CE3060	A-00-CV3060	A-00-CE30
	2x A-BF-058		

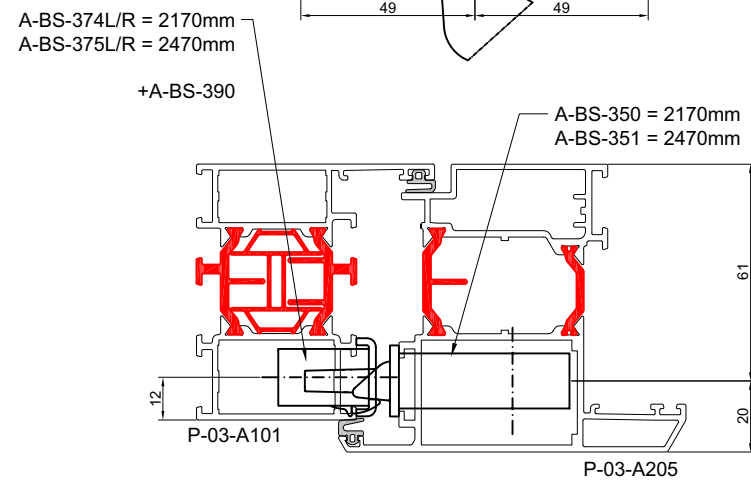


Schroeven - Vis - Screws	
Langschild Plaque longue Long plate	A-00-M5090 DN 985 ISO 7046 M 5 x 90
Langschild Plaque longue Long plate	SKG DN 985 ISO 7046 M 6 x 90
Dubbele kruk + anti krukdiefstal Béquille double + anti béquille vole Dobble handle + anti handle theft	A-00-M5090 DN 985 ISO 7046 M 5 x 90

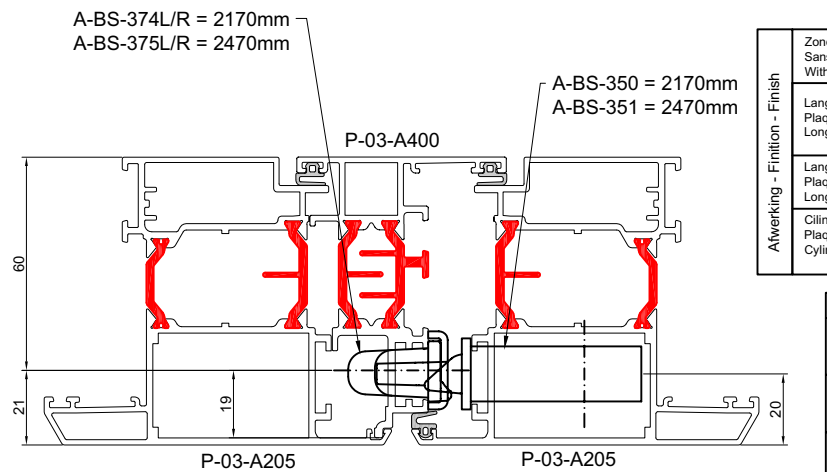
TRdeur_binnen_Paneel deur.dwg



Slottype Type serrure Locktype	Slotplaat Gache Lockplate	(elektrisch) (électrique) (electric)
Penslot Serrure à pêne Lock with pen	A-BS-350 h= 2170mm	A-BS-374L / R h= 2170mm +A-BS-390
	A-BS-351 h= 2470mm	A-BS-372L / R 2x A-BS-373 +A-BS-390
Rolslot Serrure à rouleau Lock with roll	+A-BS-395	

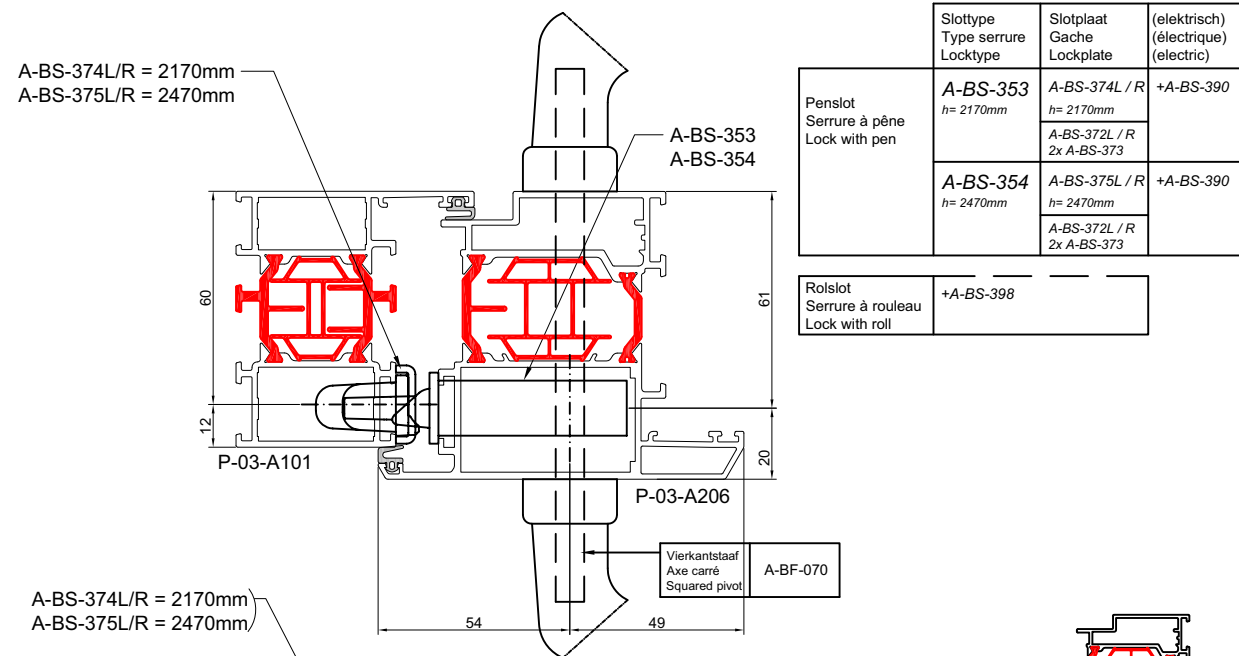


	Cilinder Cylindre Cylinder	Veiligheidscil. Cyl. sécurité Safety cyl.	Cilinder 1/2 Cylindre 1/2 Cylinder 1/2
Zonder Sans Without	A-00-CE3060	A-00-CV3060	A-00-CE60
Langschild Plaque longue Long plate	A-BS-252 A-BS-253 A-BS-254 A-BS-255 A-00-CE3575	A-00-CV3575	A-00-CE80
Langschild Plaque longue Long plate	Horizon A-BL-... A-00-CE3075	A-00-CV3075	A-00-CE75
Cilinderplaatje Plaque de cylindre Cylinder plate	A-00-CE3070 2x A-BF-058	A-00-CV3070	A-00-CE70

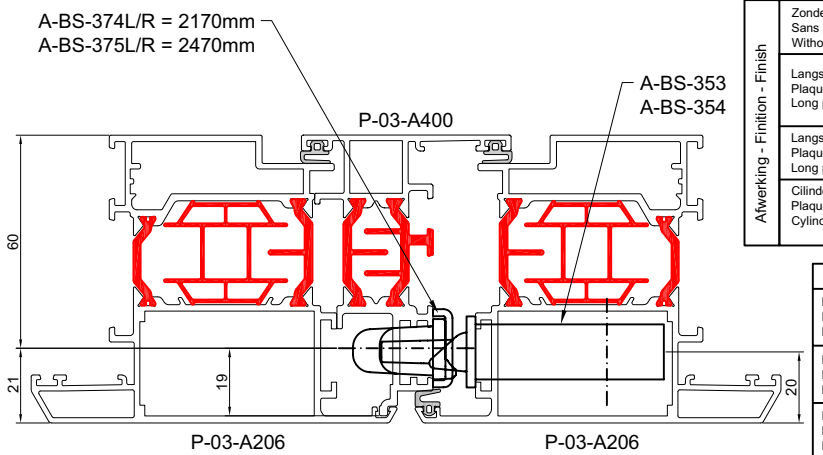
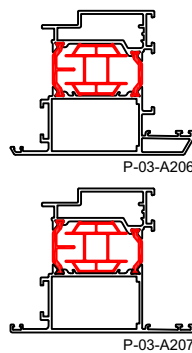
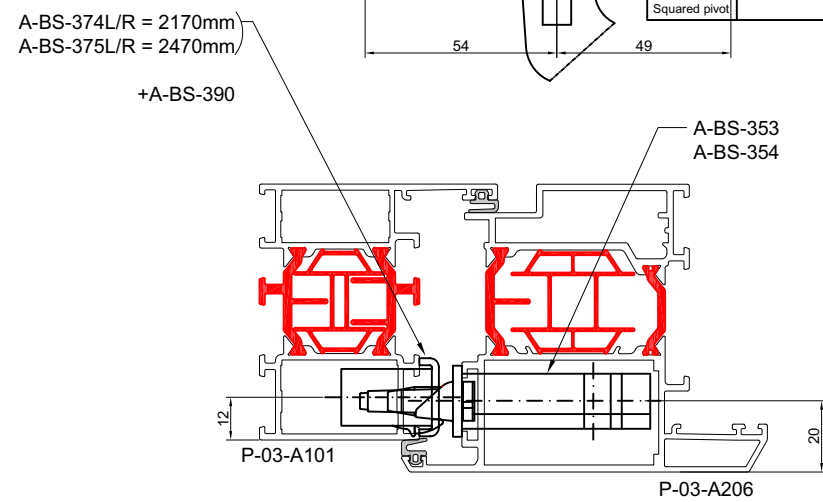


Schroeven - Vis - Screws	
Langschild Plaque longue Long plate	A-00-M5100 DIN 913 ISO 7046 M 5 x 100
Langschild Plaque longue Long plate	SKG DIN 913 ISO 7046 M 6 x 100
Dubbele kruk + anti krukdiefstal Béquille double + anti béquille vole Dobble handle + anti handle theft	A-00-M5095 DIN 913 ISO 7046 M 5 x 95

TRdeur_buiten_205.dwg



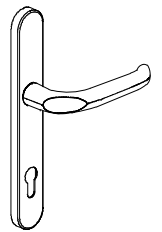
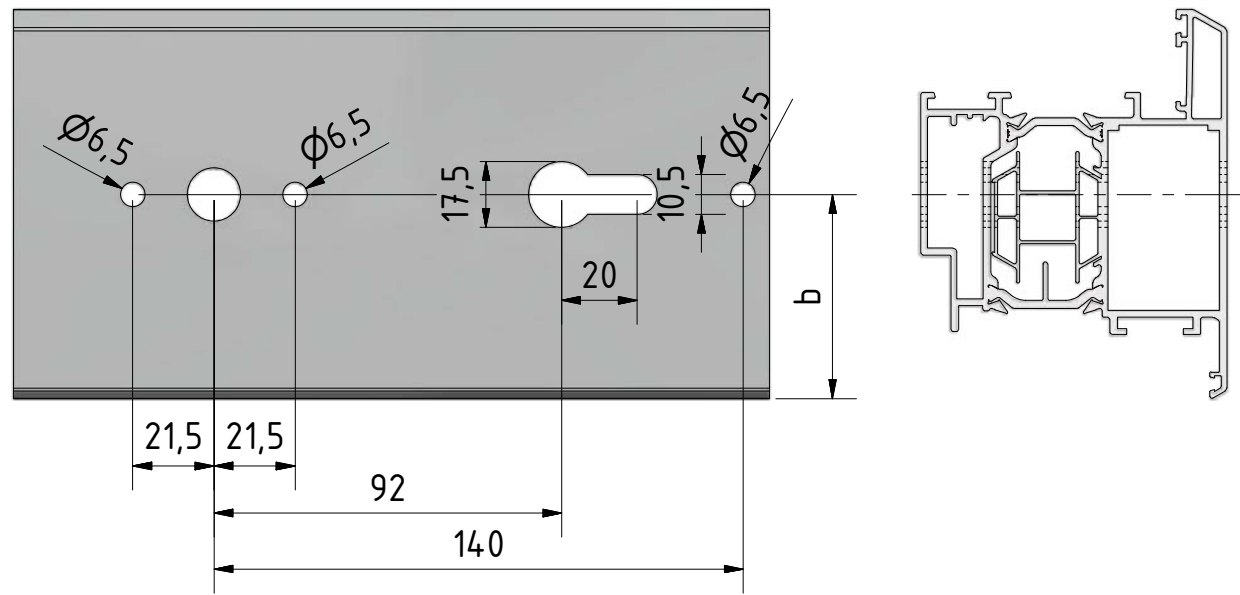
	Slottype Type serrure Locktype	Slotplaat Gache Lockplate	(elektrisch) (electrique) (electric)
Penslot Serrure à pêne Lock with pen	A-BS-353 h= 2170mm	A-BS-374L / R h= 2170mm A-BS-372L / R 2x A-BS-373	+A-BS-390
	A-BS-354 h= 2470mm	A-BS-375L / R h= 2470mm A-BS-372L / R 2x A-BS-373	+A-BS-390
Rolslot Serrure à rouleau Lock with roll	+A-BS-398		



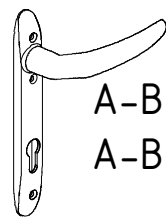
	Cilinder Cylindre Cylinder	Veiligheids cil. Cyl. sécurité Safety cyl.	Cilinder 1/2 Cylindre 1/2 Cylinder 1/2
Zonder Sans Without	A-00-CE3060	A-00-CV3060	A-00-CE60
Langschild Plaque longue Long plate	A-BS-252 A-BS-253 A-BS-254 A-BS-255 A-00-CE3575	A-00-CV3575	A-00-CE80
Langschild Plaque longue Long plate	Horizon A-BL-... A-00-CE3075	A-00-CV3075	A-00-CE80
Cilinderplaatje Plaque de cylindre Cylinder plate	A-00-CE3070 2 x A-BF-058	A-00-CV3070	A-00-CE70

Schroeven - Vis - Screws	
Langschild Plaque longue Long plate	A-00-M5100 DIN 913 ISO 7046 M 5 x 100
Langschild Plaque longue Long plate	SKG DIN 913 ISO 7046 M 6 x 100
Dubbele kruk + anti krukdiefstal Béquille double + anti béquille vole Dobble handle + anti handle theft	A-BF-057 A-BF-069 (2x) DIN 913 ISO 7046 M 5 x 95

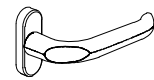
TRdeur_builen.dwg



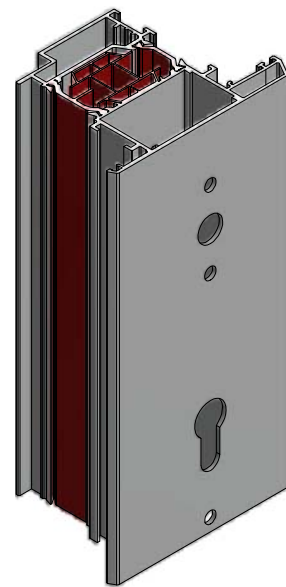
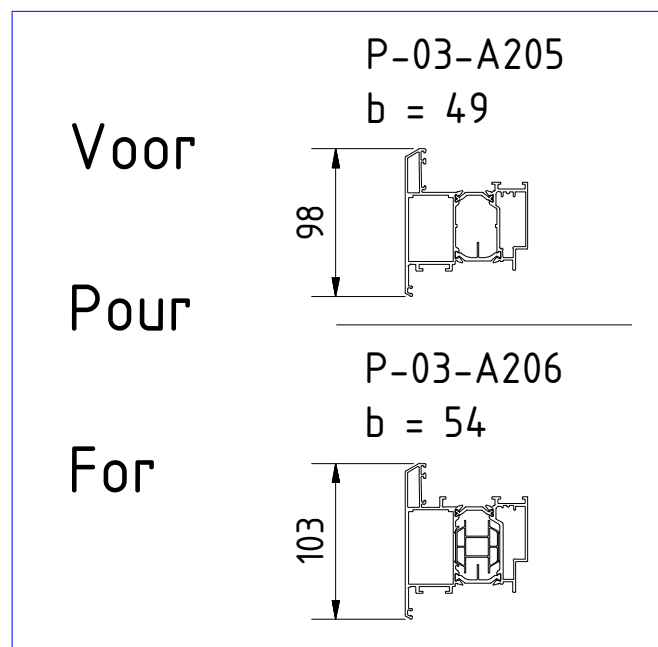
A-BS-801
A-BS-802
A-BS-804
A-BS-805



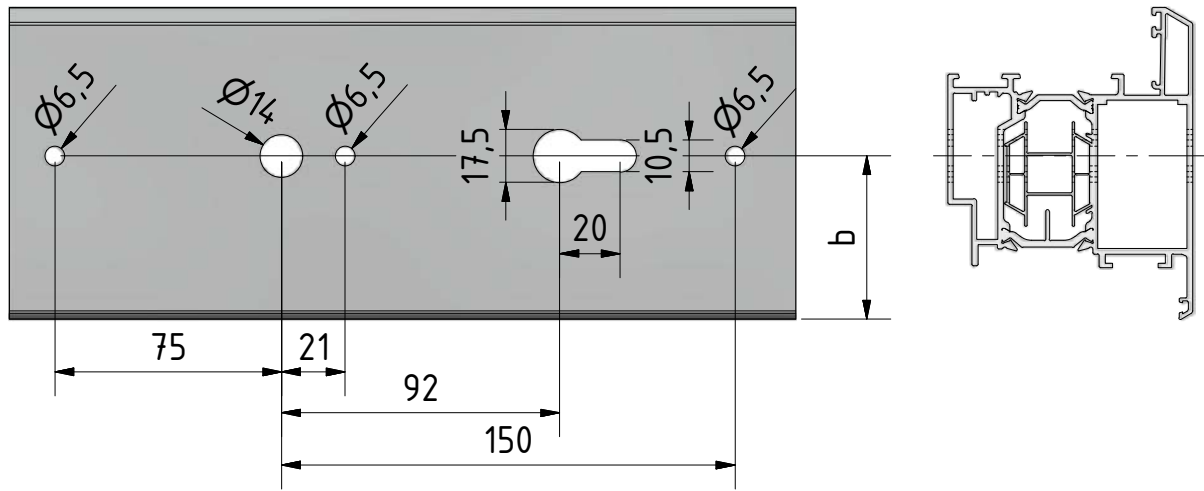
A-BS-252
A-BS-253



A-BS-810
A-BS-811
A-BS-812
A-BS-813



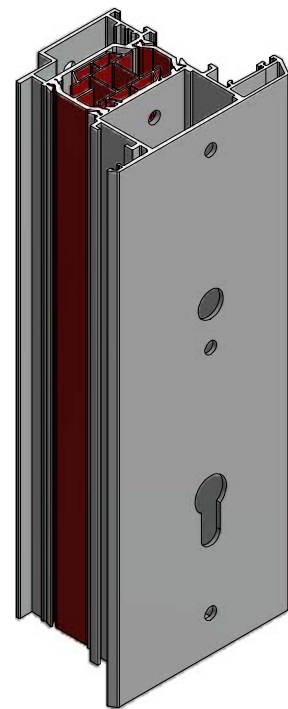
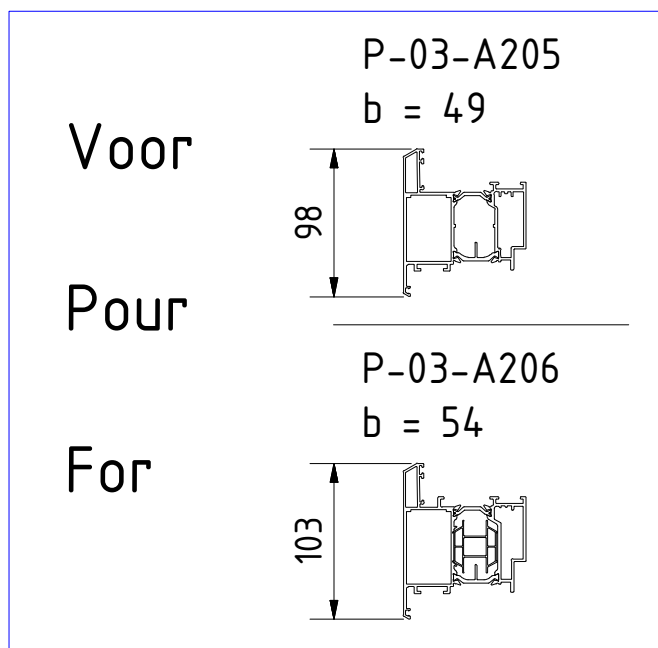
uiffrezing_deurkruk_206.idw



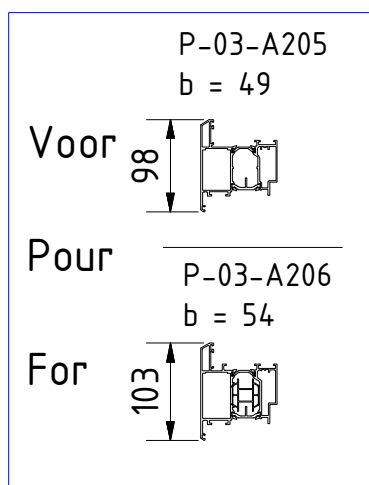
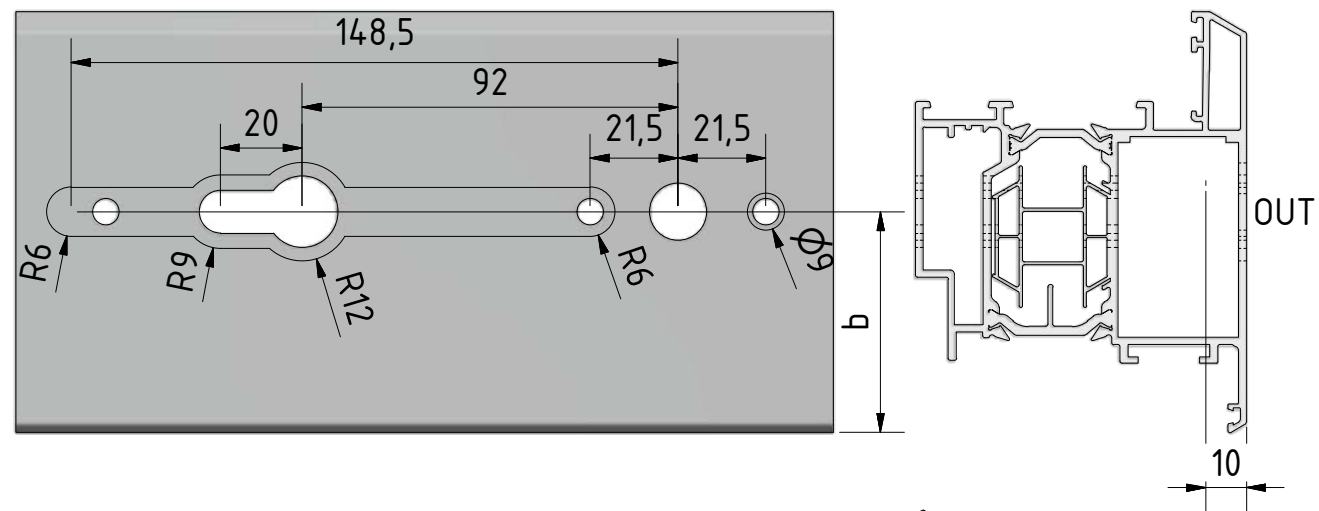
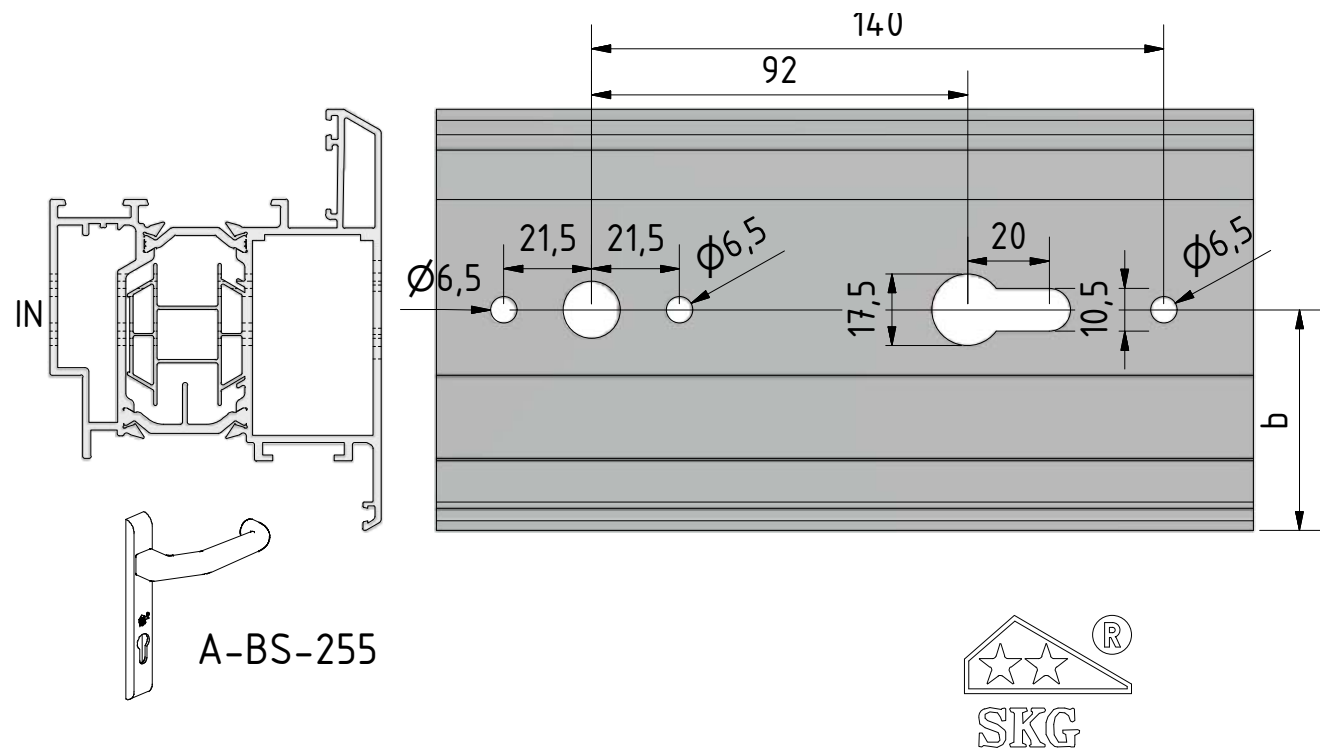
A-BL-004



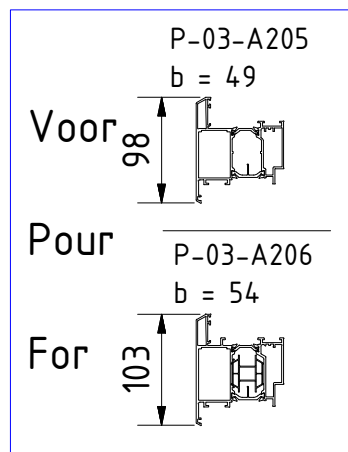
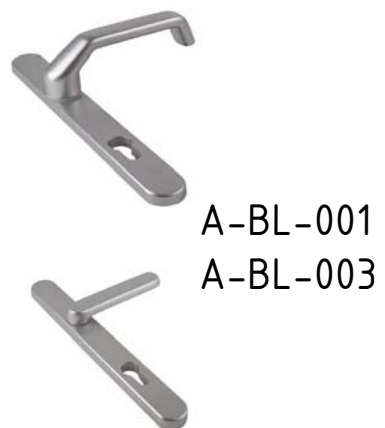
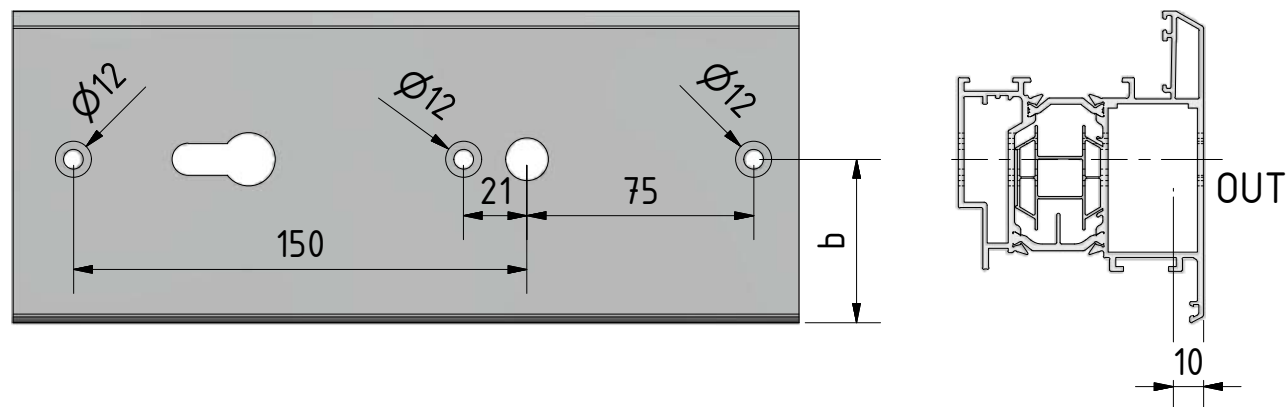
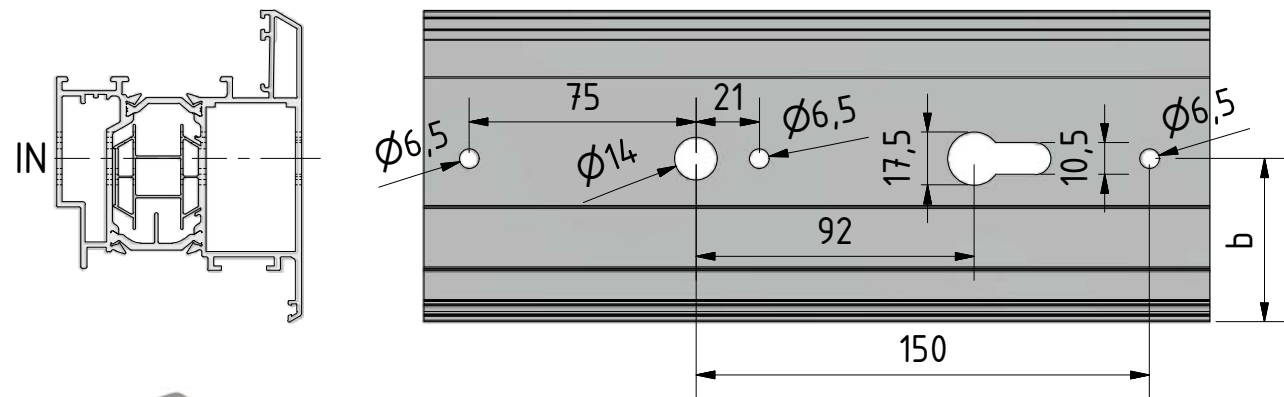
A-BL-005



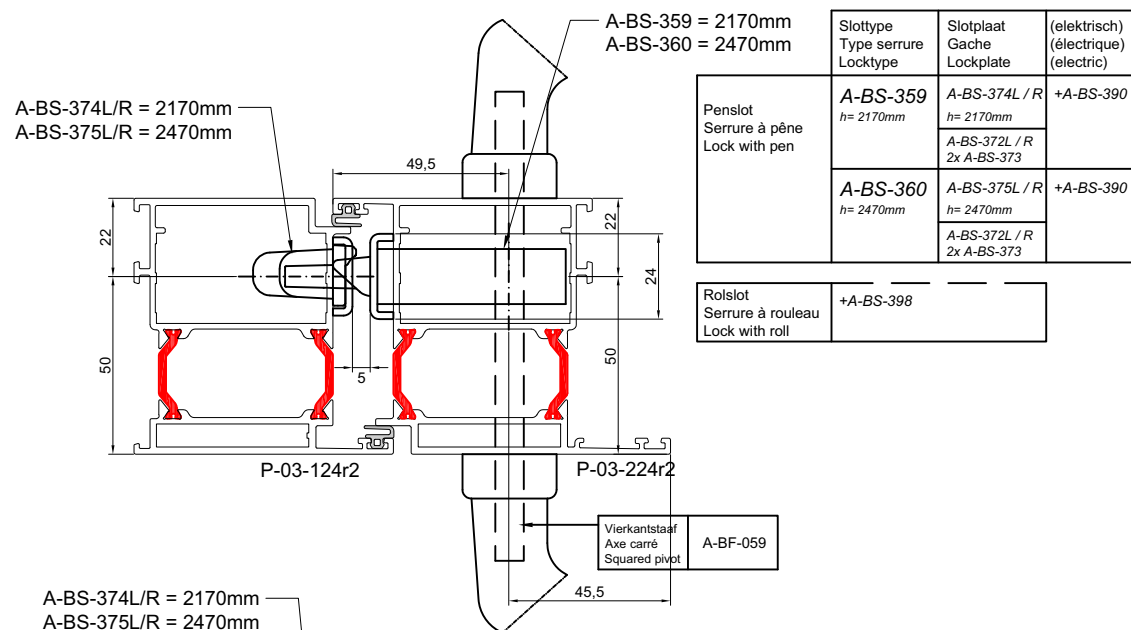
uiffrezing_deurkruk_206_BL.idw



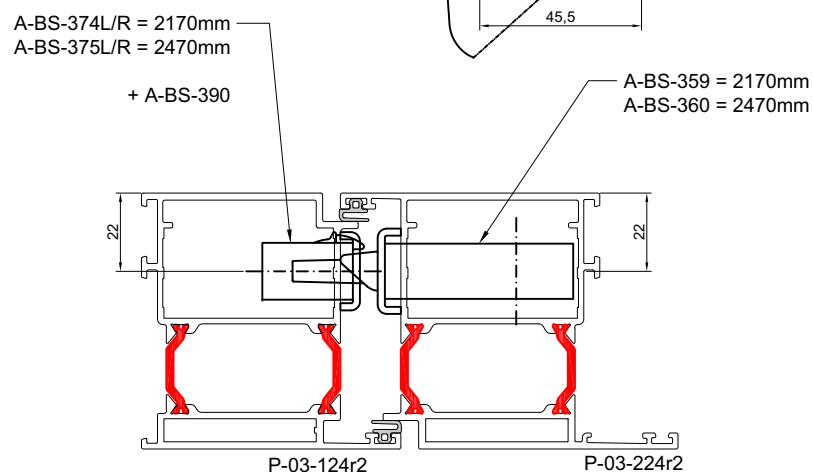
uitfrezing_deurkrukSKG_206.idw



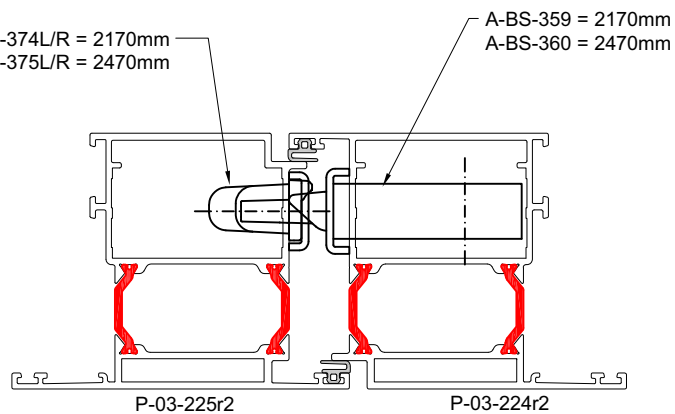
uitfrezing_deurkrukSKG_206_BL.idw



Slottype Type serrure Locktype	Slotplaat Gache Lockplate	(elektrisch) (électrique) (electric)
Penslot Serrure à pêne Lock with pen	A-BS-359 h= 2170mm	A-BS-374L / R h= 2170mm +A-BS-390
	A-BS-360 h= 2470mm	A-BS-372L / R 2x A-BS-373 +A-BS-390
Rolslot Serrure à rouleau Lock with roll	+A-BS-398	

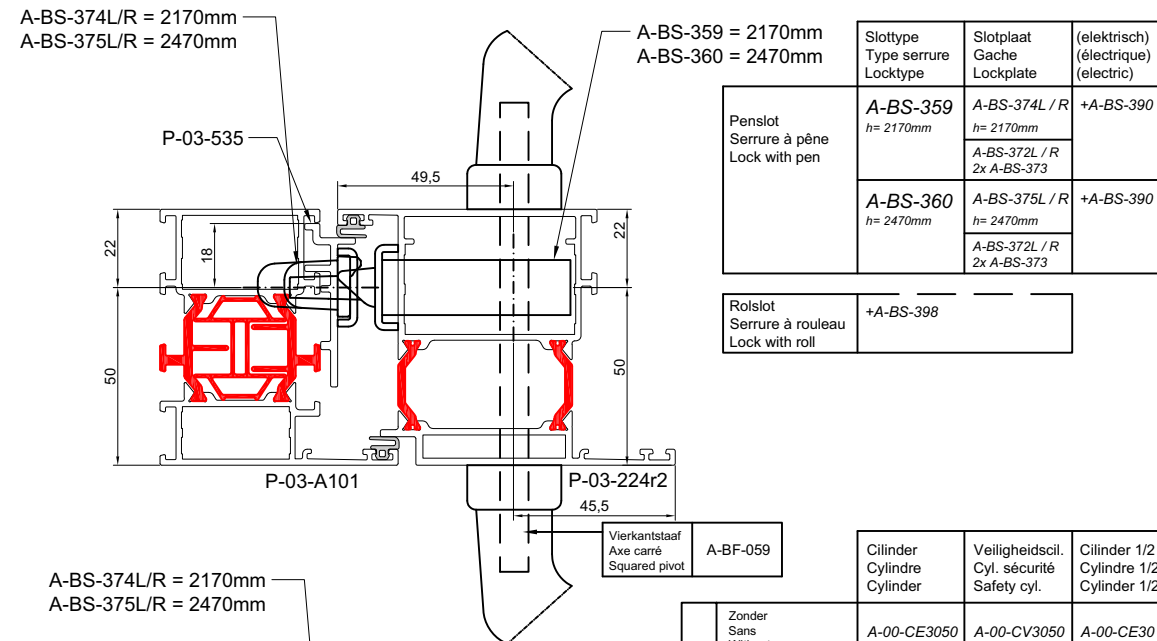


	Cilinder Cylindre Cylinder	Veiligheids cil. Cyl. sécurité Safety cyl.	Cilinder 1/2 Cylindre 1/2 Cylinder 1/2
Zonder Sans Without	A-00-CE3050	A-00-CV3050	A-00-CE30
Langschild Plaque longue Long plate	A-BS-252 + A-BS-253 A-00-CE3565	A-00-CV3565	A-00-CE35
	A-BS-254 + A-BS-255 A-00-CE3560	A-00-CV3560	A-00-CE35
Cilinderplaatje Plaque de cylindre Cylinder plate	A-00-CE3560	A-00-CV3560	A-00-CE35



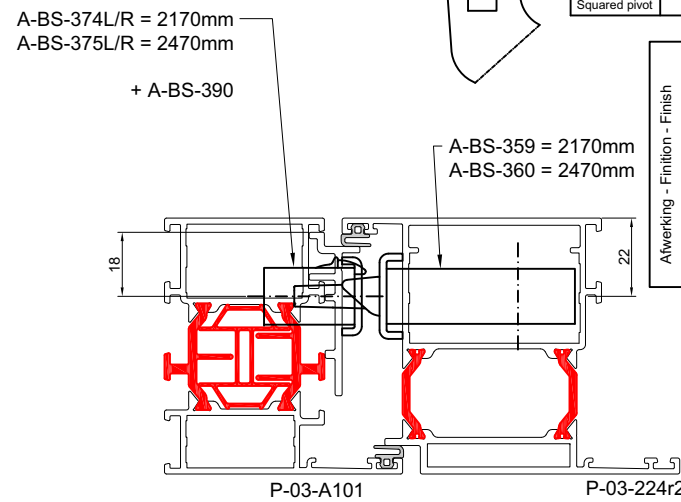
Schroeven - Vis - Screws	
Langschild Plaque longue Long plate	A-00-M5090 DIN 913 ISO 7046 M 5 x 90
Langschild Plaque longue Long plate	SKG DIN 913 ISO 7046 M 6 x 90
Dubbele kruk + anti krukdiefstal Béquille double + anti béquille vole Dobble handle + anti handle theft	A-00-M5090 DIN 913 ISO 7046 M 5 x 90

TRdeur_vlak_binnenR2.dwg



	Slottype Type serrure Locktype	Slotplaat Gache Lockplate	(elektrisch) (électrique) (electric)
Penslot Serrure à pêne Lock with pen	A-BS-359 h= 2170mm	A-BS-374L / R h= 2170mm A-BS-372L / R 2x A-BS-373	+A-BS-390
	A-BS-360 h= 2470mm	A-BS-375L / R h= 2470mm A-BS-372L / R 2x A-BS-373	+A-BS-390

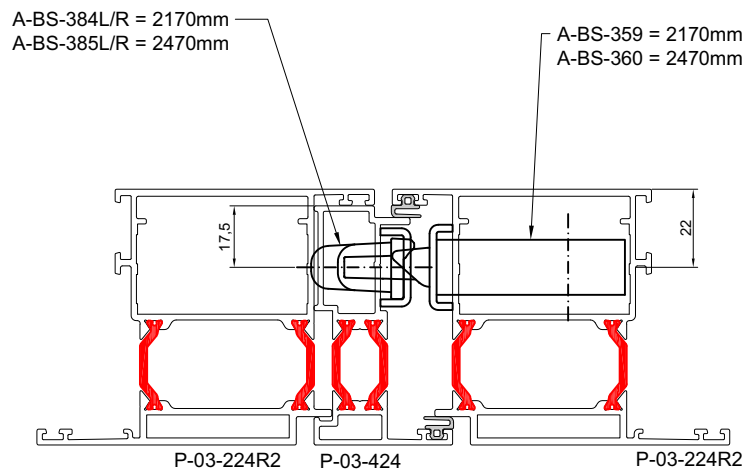
Rolslot Serrure à rouleau Lock with roll	+A-BS-398
--	-----------



Vierkantstaaf
Axe carré
Squared pivot

	Cilinder Cylindre Cylinder	Veiligheids cil. Cyl. sécurité Safety cyl.	Cilinder 1/2 Cylindre 1/2 Cylinder 1/2
Zonder Sans Without	A-00-CE3050	A-00-CV3050	A-00-CE30
Langschild Plaque longue Long plate	A-BS-252 A-BS-253 A-BS-254 A-BS-255	A-00-CE3565	A-00-CV3565
	A-00-CE3560	A-00-CV3560	A-00-CE35
Cilinderplaatje Plaque de cylindre Cylinder plate	A-00-CE3560	A-00-CV3560	A-00-CE35

Schroeven - Vis - Screws	
Langschild Plaque longue Long plate	A-00-M5090 DN 985 ISO 7046 M 5 x 90
Langschild Plaque longue Long plate	SKG DN 985 ISO 7046 M 6 x 90
Dubbele kruk + anti krukdiefstal Béquille double + anti béquille vole Dobble handle + anti handle theft	A-00-M5090 DN 985 ISO 7046 M 5 x 90

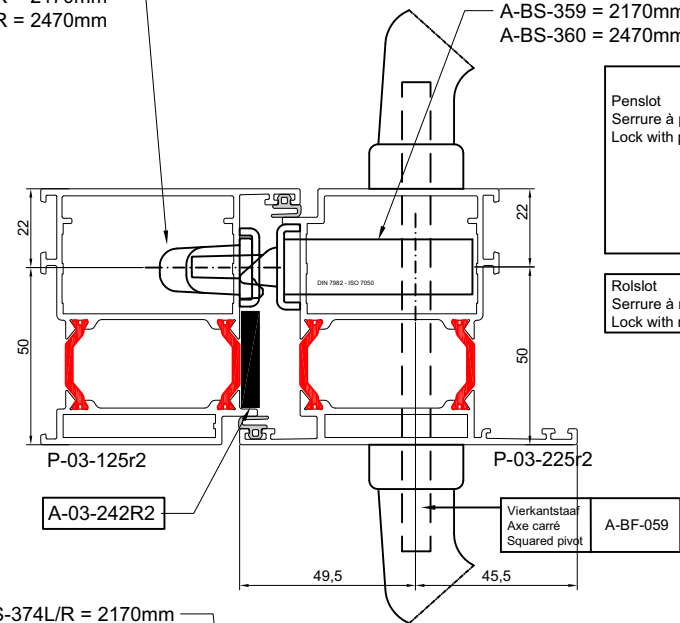


	Slottype Type serrure Locktype	Slotplaat Gache Lockplate	(elektrisch) (électrique) (electric)
Penslot Serrure à pêne Lock with pen	A-BS-359 h= 2170mm	A-BS-384L / R h= 2170mm A-BS-382L / R 2x A-BS-383	+A-BS-390
	A-BS-360 h= 2470mm	A-BS-385L / R h= 2470mm A-BS-382L / R 2x A-BS-383	+A-BS-390

Rolslot Serrure à rouleau Lock with roll	+A-BS-395
--	-----------

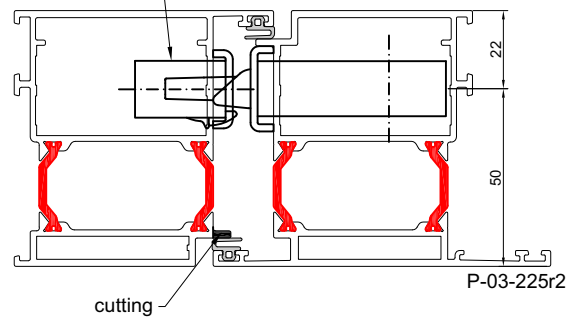
TRdeur_vlak_binnen_vleugelR2.dwg

A-BS-374L/R = 2170mm
A-BS-375L/R = 2470mm

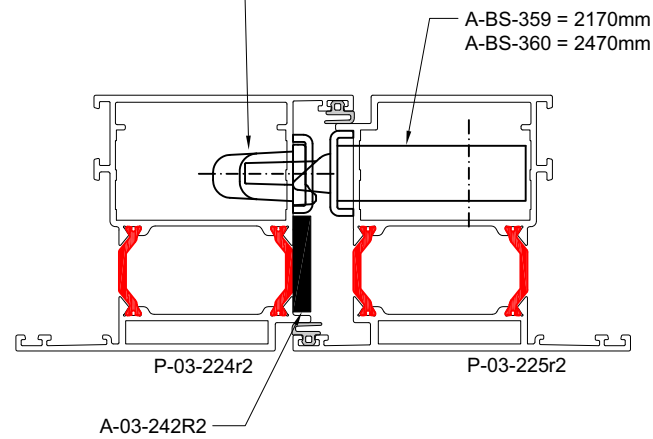


Slottype Type serrure Locktype	Slotplaat Gache Lockplate	(elektrisch) (electrique) (electric)
Penslot Serrure à pêne Lock with pen	A-BS-359 h= 2170mm	+A-BS-390
	A-BS-374L / R h= 2170mm A-BS-372L / R 2x A-BS-373	
Rolslot Serrure à rouleau Lock with roll	A-BS-360 h= 2470mm	+A-BS-390
	A-BS-375L / R h= 2470mm A-BS-372L / R 2x A-BS-373	

A-BS-374L/R = 2170mm
A-BS-375L/R = 2470mm
+ A-BS-390



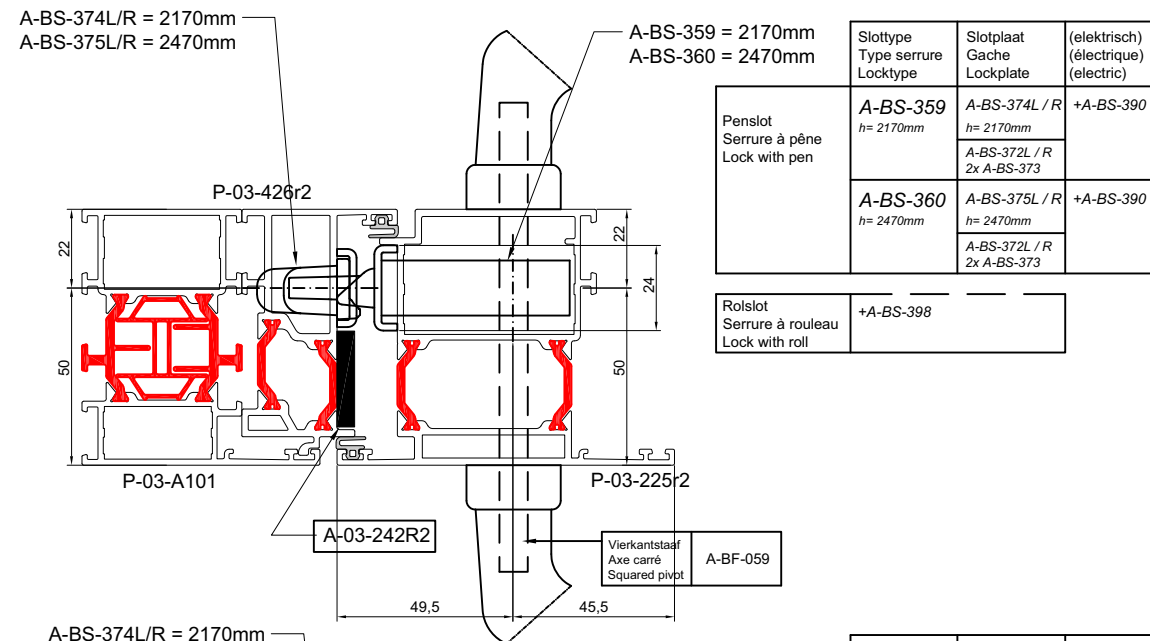
A-BS-374L/R = 2170mm
A-BS-375L/R = 2470mm



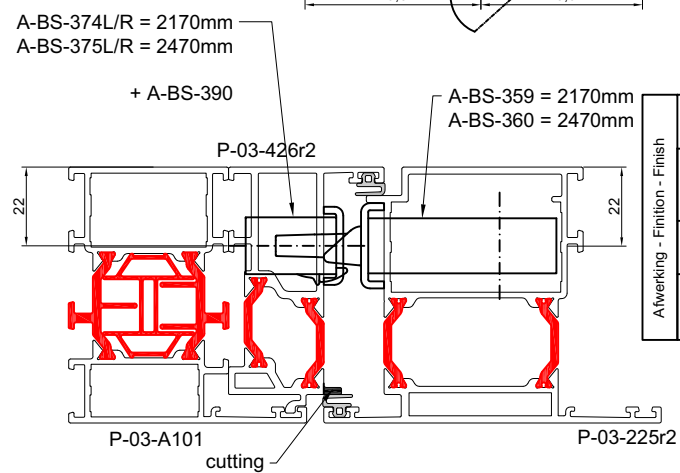
	Cilinder Cylindre Cylinder	Veiligheids cil. Cyl. sécurité Safety cyl.	Cilinder 1/2 Cylindre 1/2 Cylinder 1/2
Zonder Sans Without	A-00-CE3050	A-00-CV3050	A-00-CE30
Langschild Plaque longue Long plate	A-BS-252 A-BS-253 A-BS-254 A-BS-255	A-00-CE3565	A-00-CV3565
	A-00-CE3565	A-00-CV3565	A-00-CE35
Langschild Plaque longue Long plate	Horizon A-BL-...	A-00-CE3560	A-00-CV3560
	A-00-CE3560	A-00-CV3560	A-00-CE35
Cilinderplaatje Plaque de cylindre Cylinder plate	A-00-CE3560	A-00-CV3560	A-00-CE35

Schroeven - Vis - Screws	
Langschild Plaque longue Long plate	A-00-M5090 DIN 913 ISO 7046 M 5 x 90
Langschild Plaque longue Long plate	SKG DIN 913 ISO 7046 M 6 x 90
Dubbele kruk + anti krukdiefstal Béquille double + anti béquille vole Dobble handle + anti handle theft	A-00-M5090 DIN 913 ISO 7046 M 5 x 90

TRdeur_vlak_buiterR2.dwg

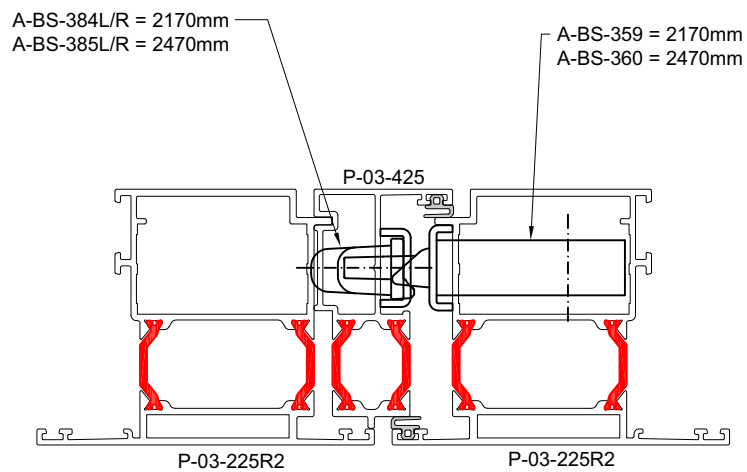


	Slottype Type serrure Locktype	Slotplaat Gache Lockplate	(elektrisch) (électrique) (electric)
Penslot Serrure à pêne Lock with pen	A-BS-359 h= 2170mm	A-BS-374L / R h= 2170mm A-BS-372L / R 2x A-BS-373	+A-BS-390
	A-BS-360 h= 2470mm	A-BS-375L / R h= 2470mm A-BS-372L / R 2x A-BS-373	+A-BS-390
Rolslot Serrure à rouleau Lock with roll	+A-BS-398		



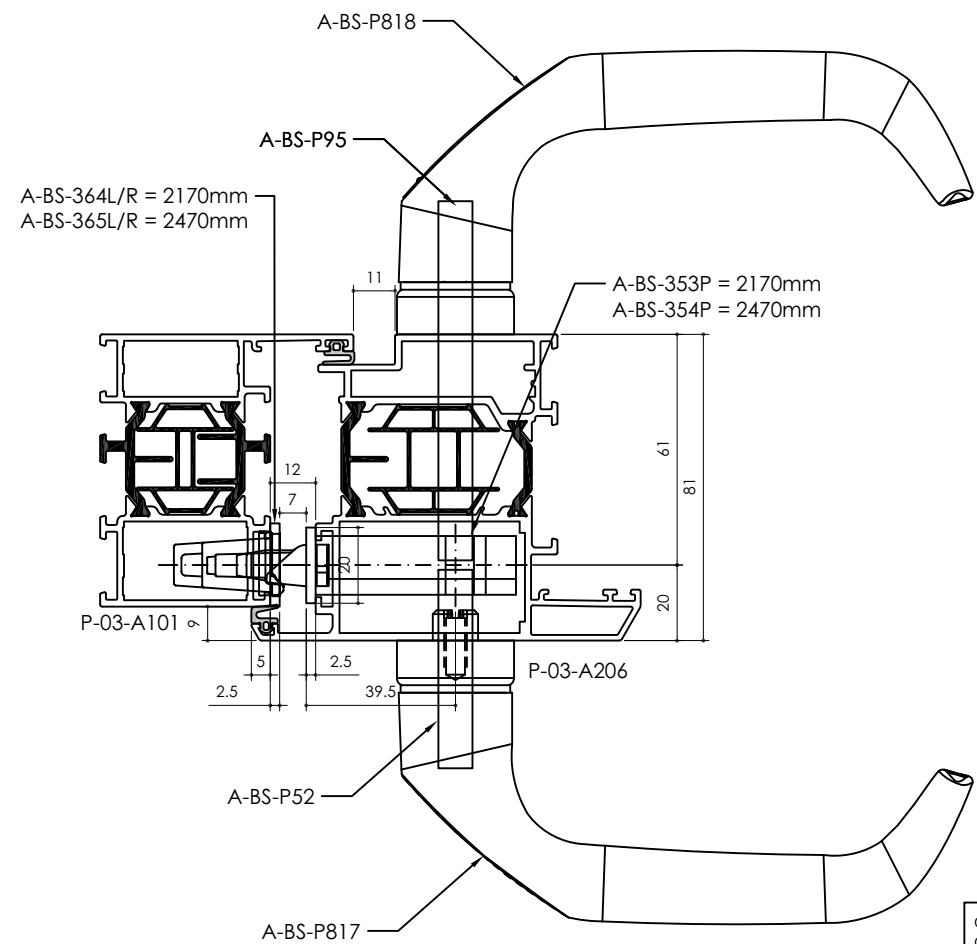
	Cilinder Cylindre Cylinder	Veiligheids cil. Cyl. sécurité Safety cyl.	Cilinder 1/2 Cylindre 1/2 Cylinder 1/2
Zonder Sans Without	A-00-CE3050	A-00-CV3050	A-00-CE30
Langschild Plaque longue Long plate	A-BS-252 A-BS-253 A-BS-254 A-BS-255	A-00-CE3565	A-00-CV3565 A-00-CE35
	Langschild Plaque longue Long plate	Horizon A-BL...	A-00-CE3560 A-00-CV3560 A-00-CE35
Cilinderplaatje Plaque de cylindre Cylinder plate	A-00-CE3560 2 x A-BF-058	A-00-CV3560	A-00-CE35

Schroeven - Vis - Screws	
Langschild Plaque longue Long plate	A-00-M5090 DIN 915 ISO 7046 M 5 x 90
Langschild Plaque longue Long plate	SKG DIN 915 ISO 7046 M 6 x 90
Dubbele kruk + anti krukdiefstal Béquille double + anti béquille vole Dobble handle + anti handle theft	A-BF-057 A-BF-069 (2x) DIN 915 ISO 7046 M 5 x 90



	Slottype Type serrure Locktype	Slotplaat Gache Lockplate	(elektrisch) (électrique) (electric)
Penslot Serrure à pêne Lock with pen	A-BS-359 h= 2170mm	A-BS-384L / R h= 2170mm A-BS-382L / R 2x A-BS-383	+A-BS-390
	A-BS-360 h= 2470mm	A-BS-385L / R h= 2470mm A-BS-382L / R 2x A-BS-383	+A-BS-390
Rolslot Serrure à rouleau Lock with roll	+A-BS-395		

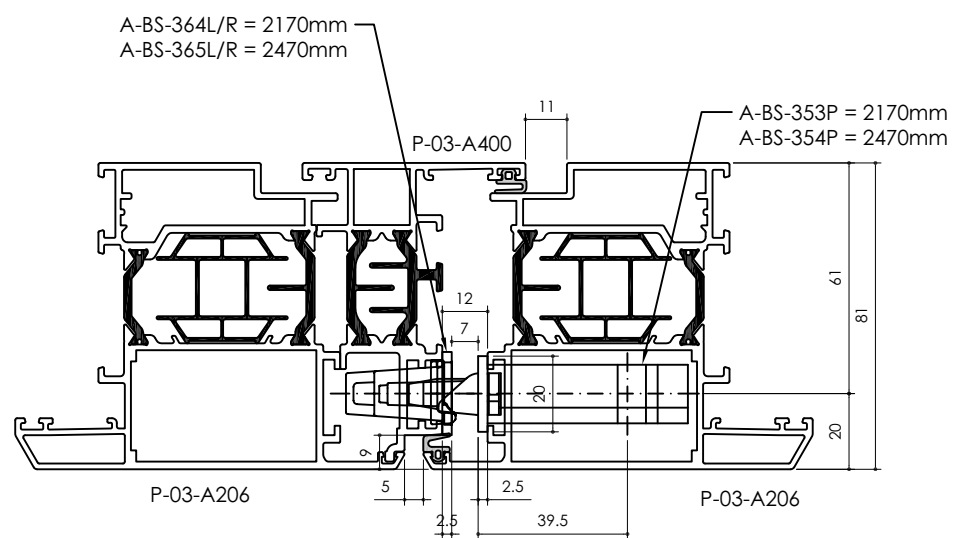
TRdeur_vlak_buiten_vleugelR2.dwg

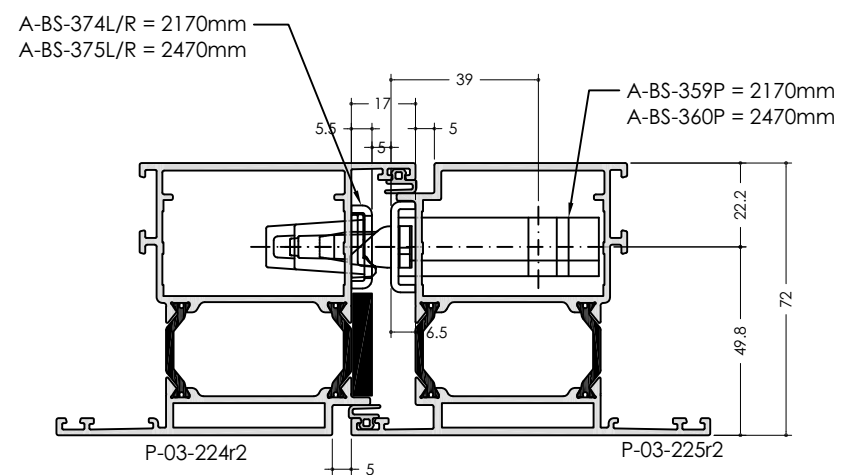
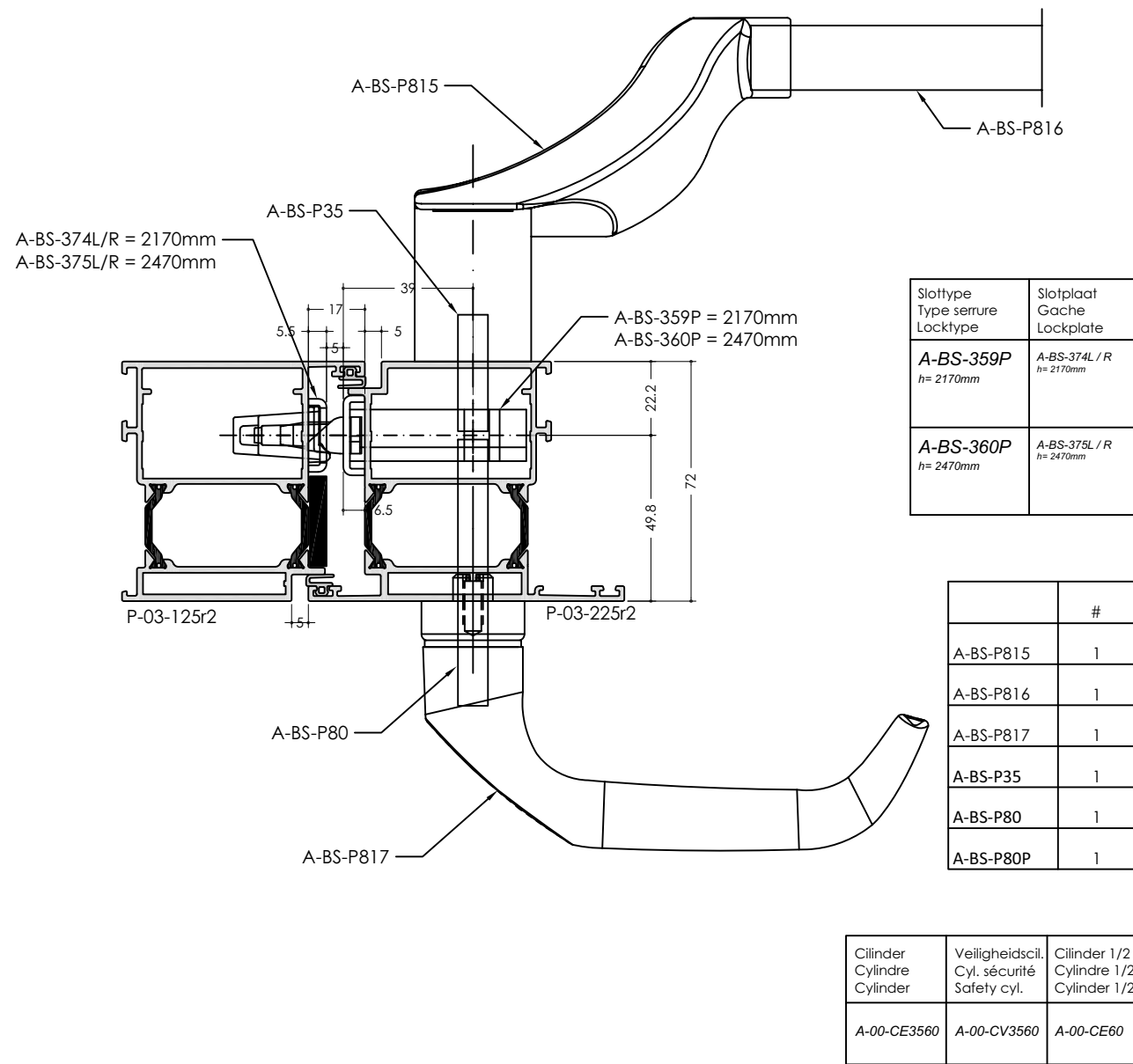


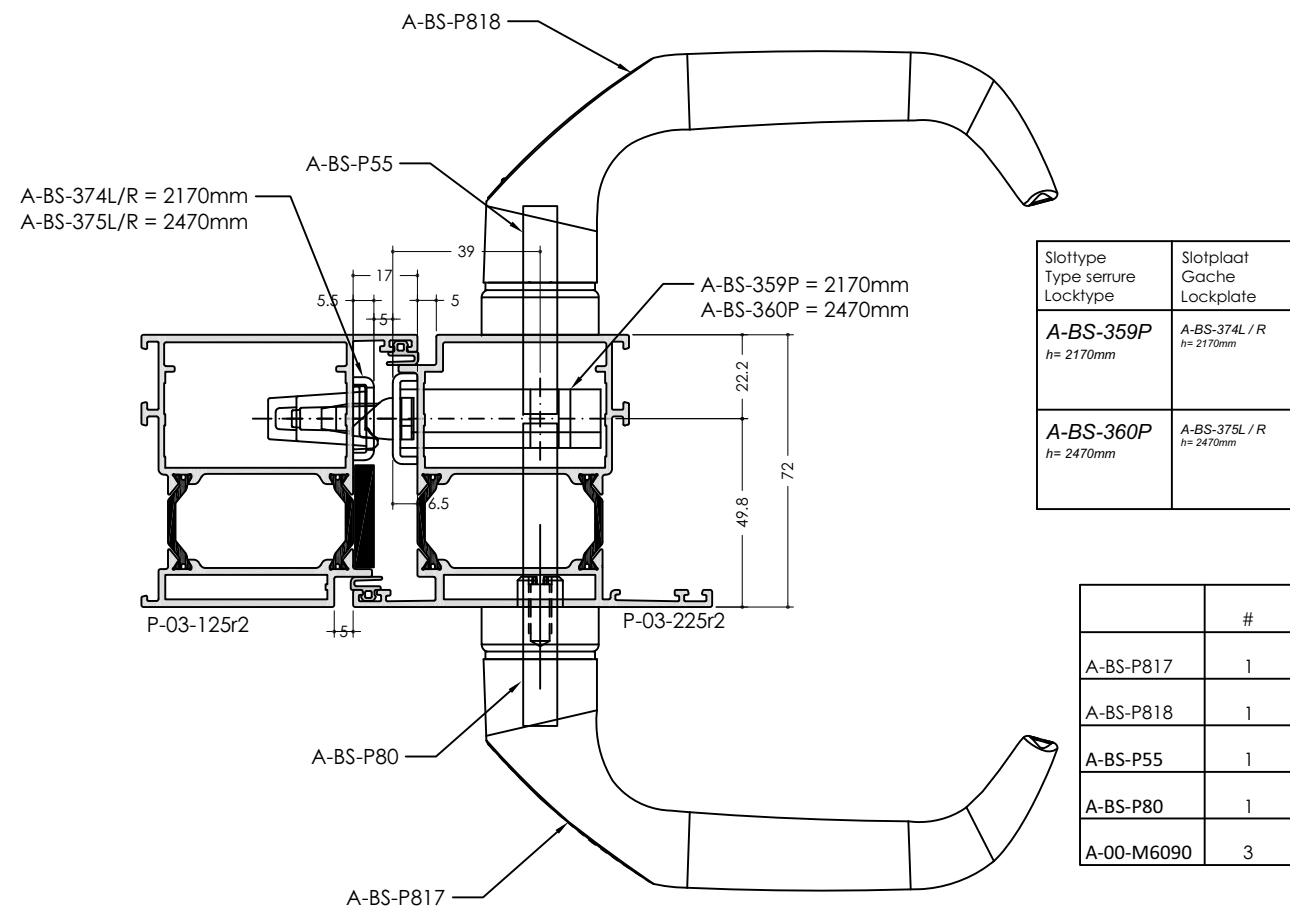
Slottype Type serrure Locktype	Slotplaat Gache Lockplate
A-BS-353P h= 2170mm	A-BS-364L / R h= 2170mm
A-BS-354P h= 2470mm	A-BS-365L / R h= 2470mm

	#
A-BS-P817	1
A-BS-P818	1
A-BS-P52	1
A-BS-P95	1
A-00-M6100	3

Cilinder Cylindre Cylinder	Veiligheids cil. Cyl. sécurité Safety cyl.	Cilinder 1/2 Cylindre 1/2 Cylinder 1/2
A-00-CE3075	A-00-CV3075	A-00-CE75



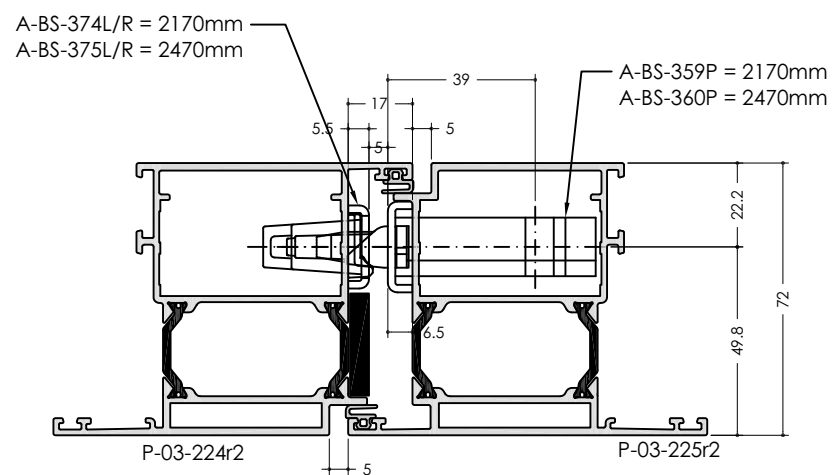


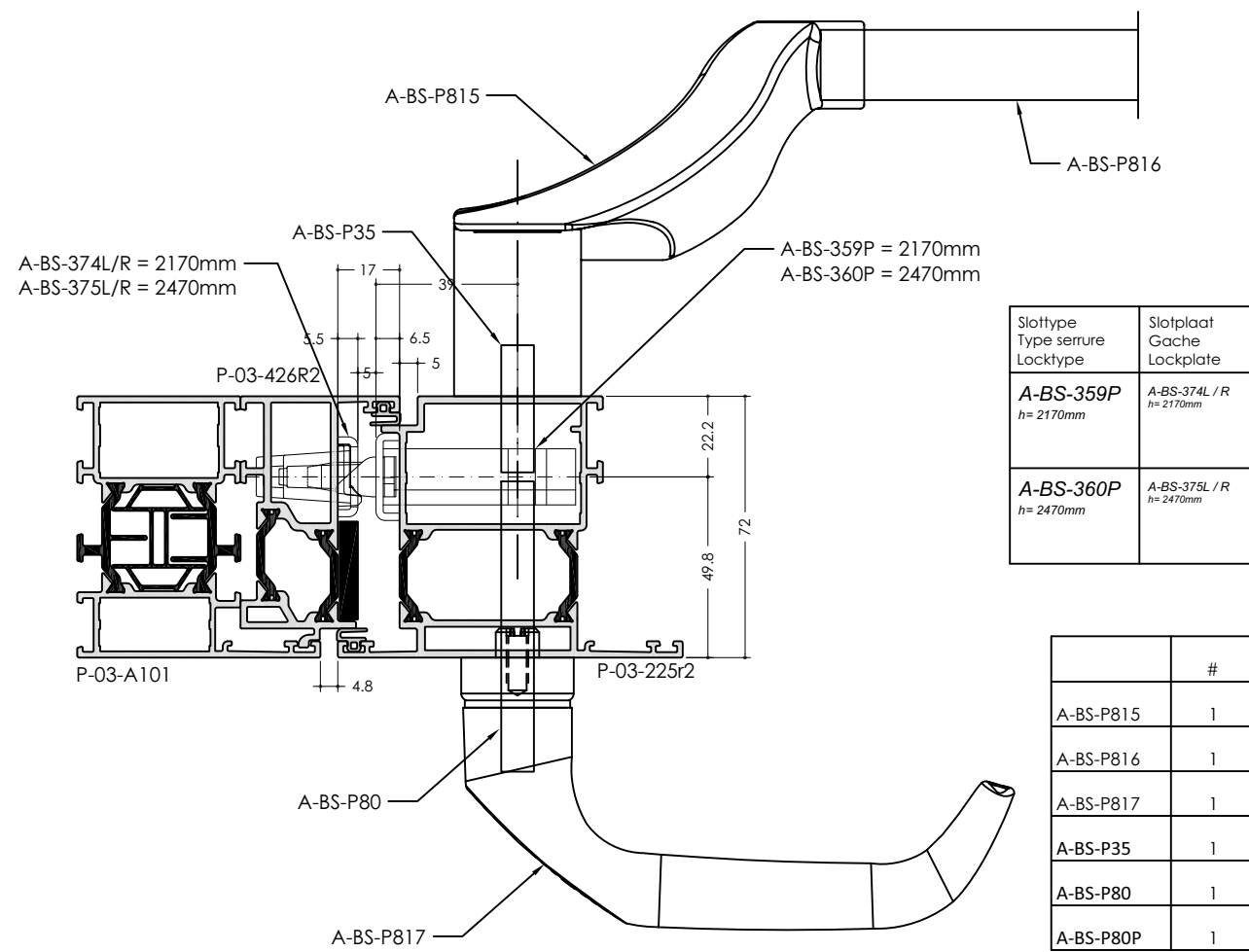


Slottype Type serrure Locktype	Slotplaat Gache Lockplate
A-BS-359P h= 2170mm	A-BS-374L / R h= 2170mm
A-BS-360P h= 2470mm	A-BS-375L / R h= 2470mm

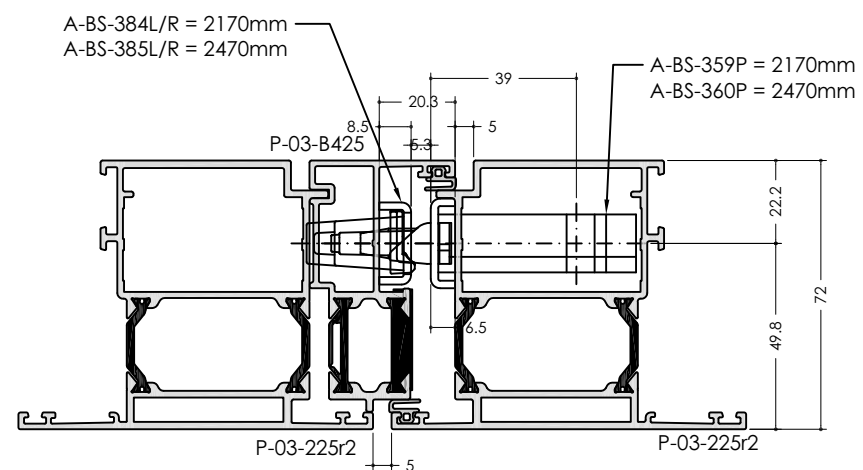
	#
A-BS-P817	1
A-BS-P818	1
A-BS-P55	1
A-BS-P80	1
A-00-M6090	3

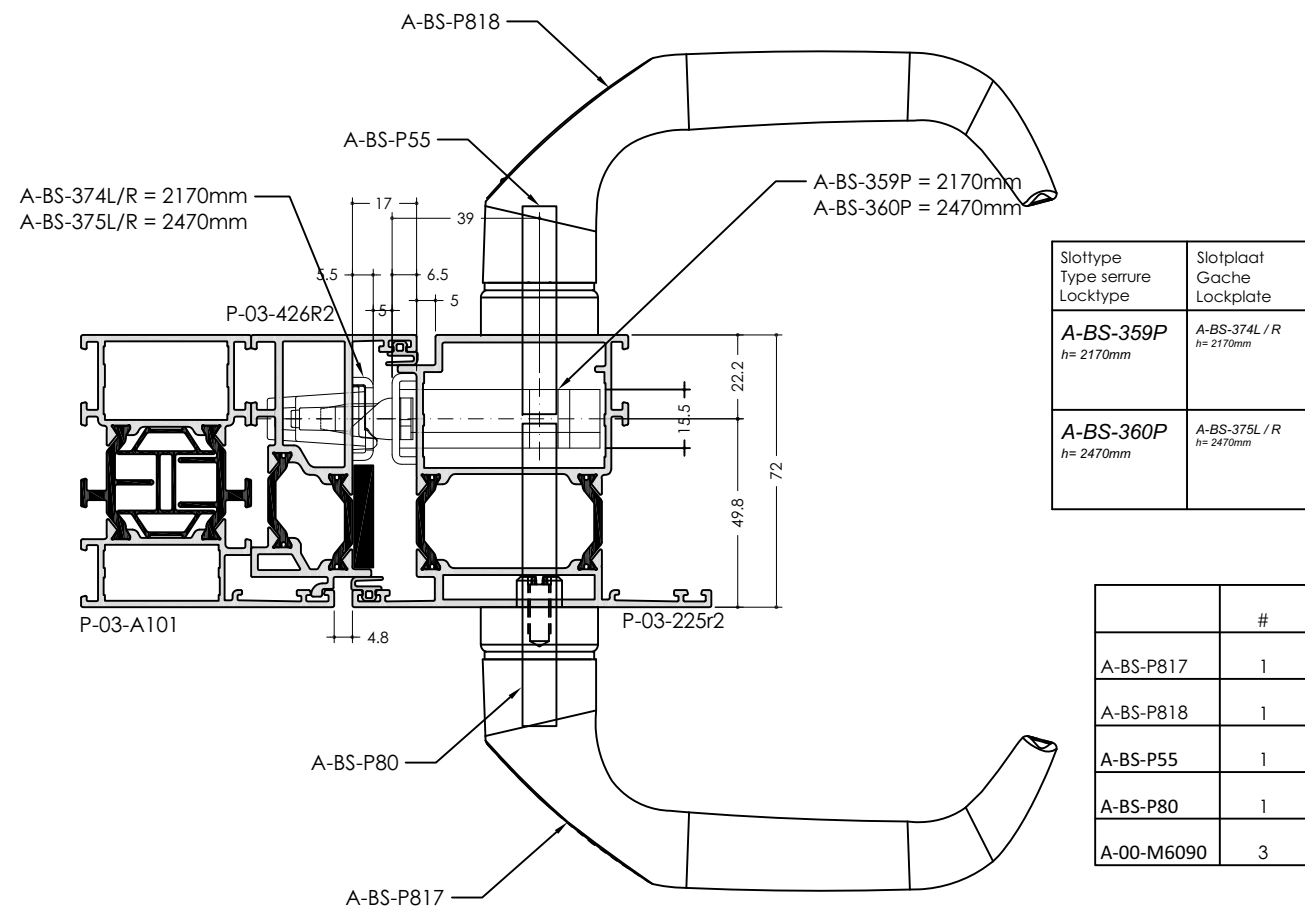
Cilinder Cylindre Cylinder	Veiligheids cil. Cyl. sécurité Safety cyl.	Cilinder 1/2 Cylindre 1/2 Cylinder 1/2
A-00-CE3560	A-00-CV3560	A-00-CE60



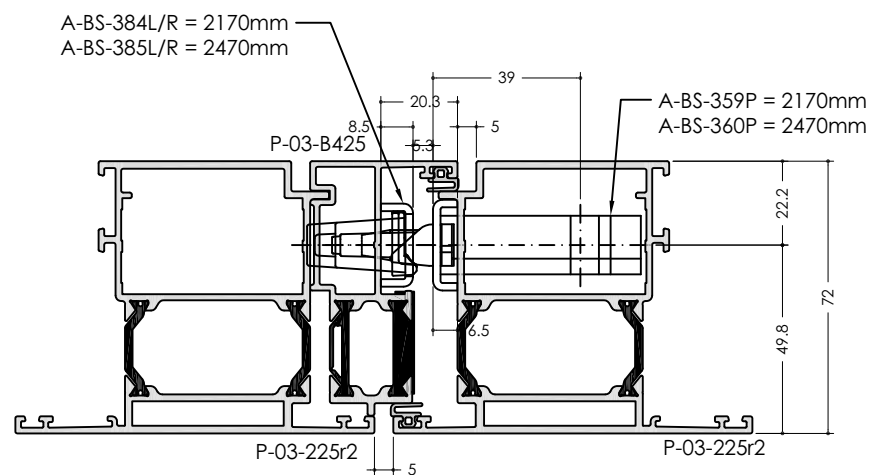


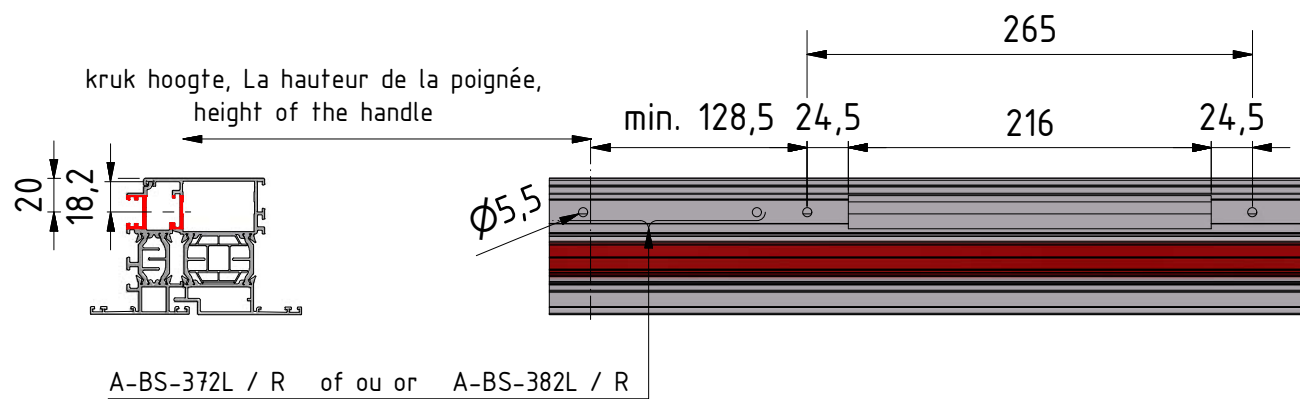
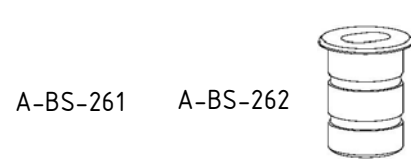
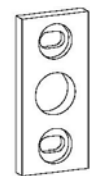
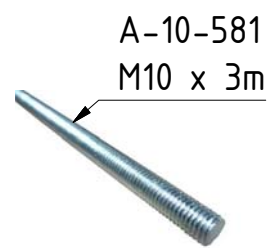
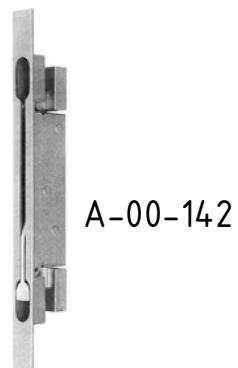
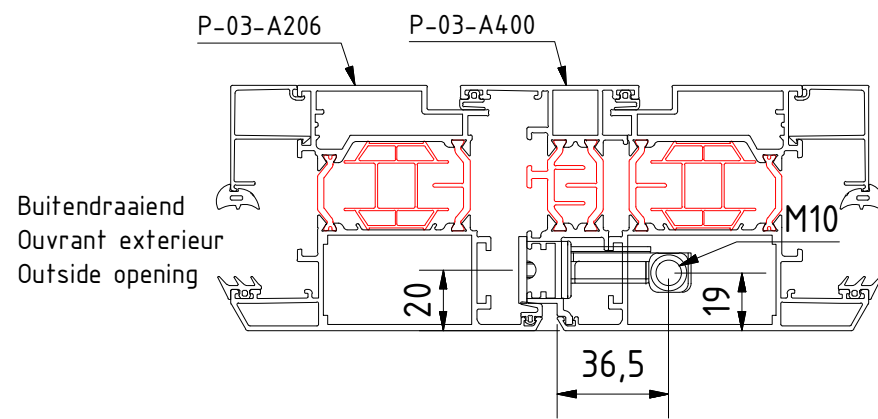
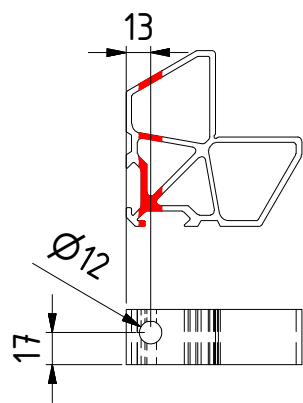
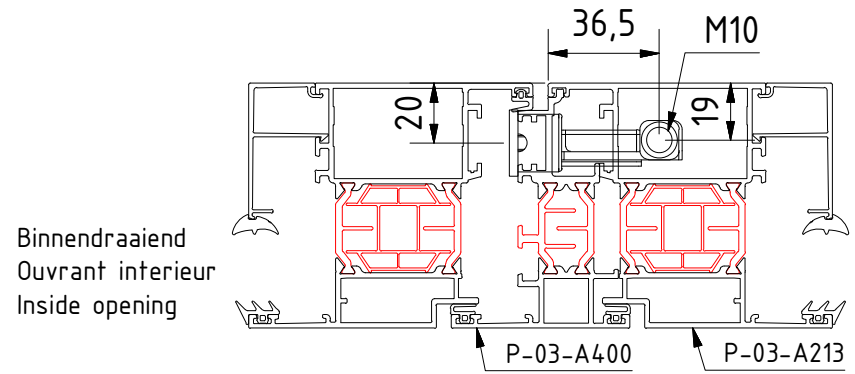
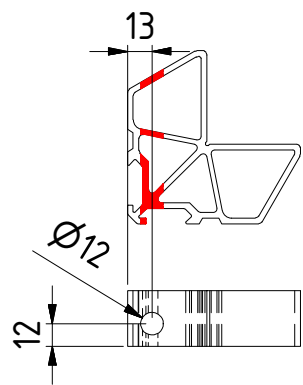
Cilinder Cylindre Cylinder	Veiligheidschl. Cyl. sécurité Safety cyl.	Cilinder 1/2 Cylindre 1/2 Cylinder 1/2
A-00-CE3560	A-00-CV3560	A-00-CE60



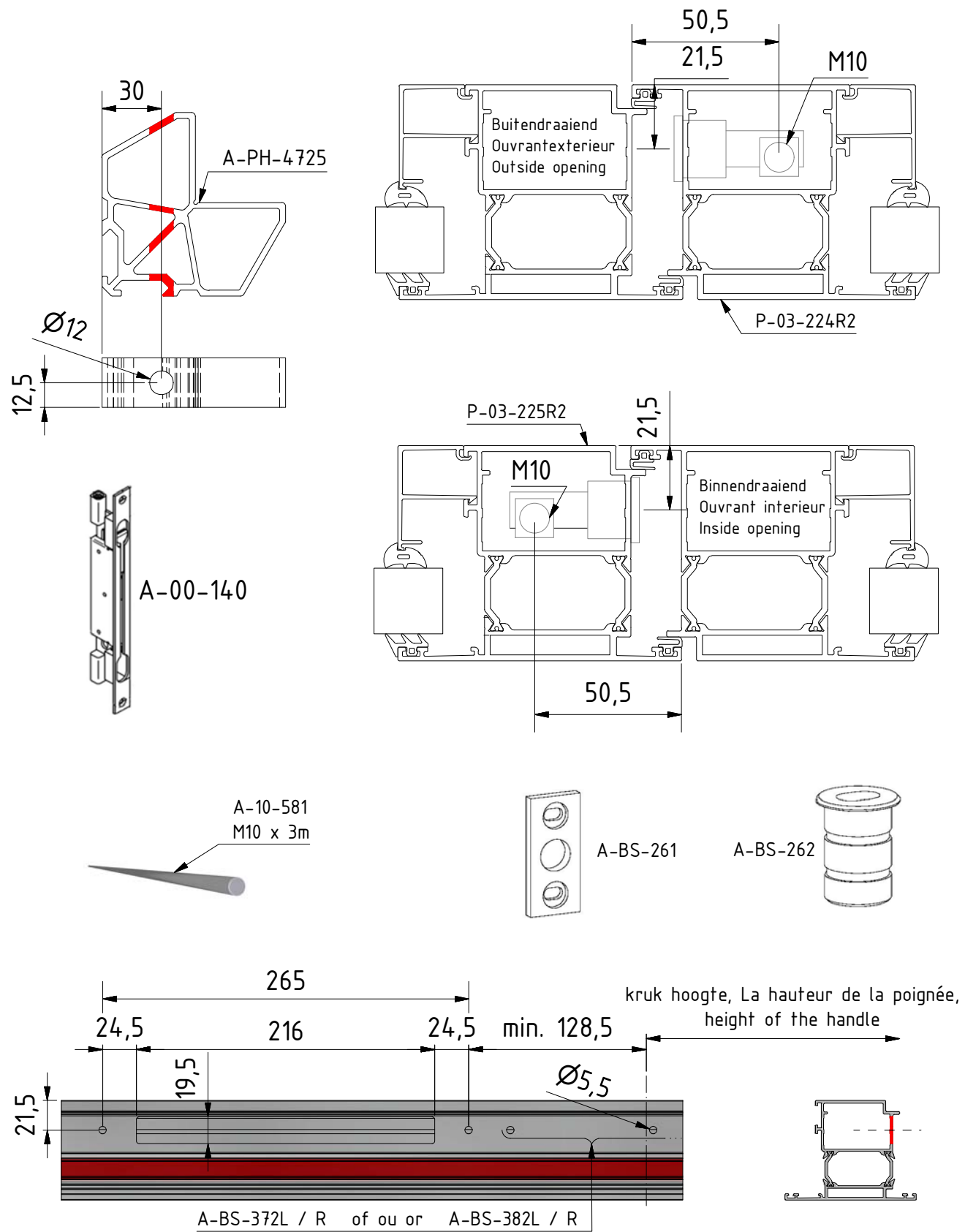


Cilinder Cylindre Cylinder	Veiligheidschl. Cyl. sécurité Safety cyl.	Cilinder 1/2 Cylindre 1/2 Cylinder 1/2
A-00-CE3560	A-00-CV3560	A-00-CE60

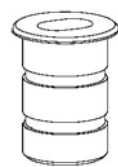
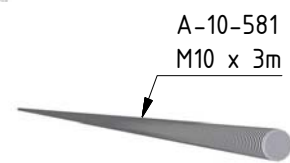
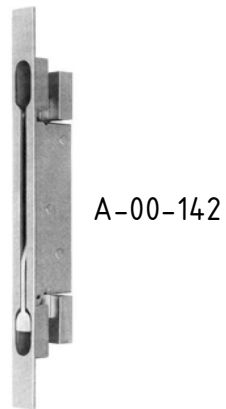
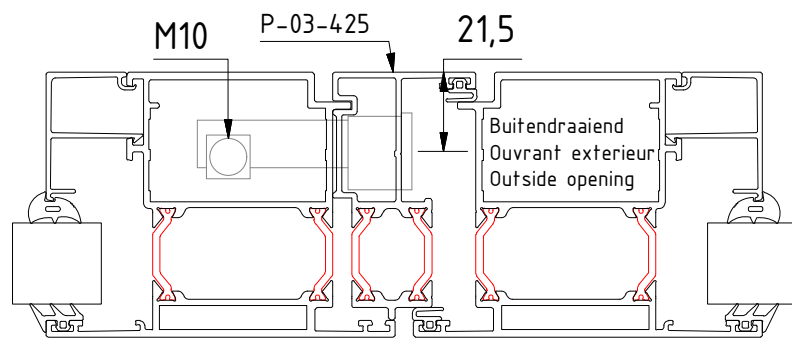
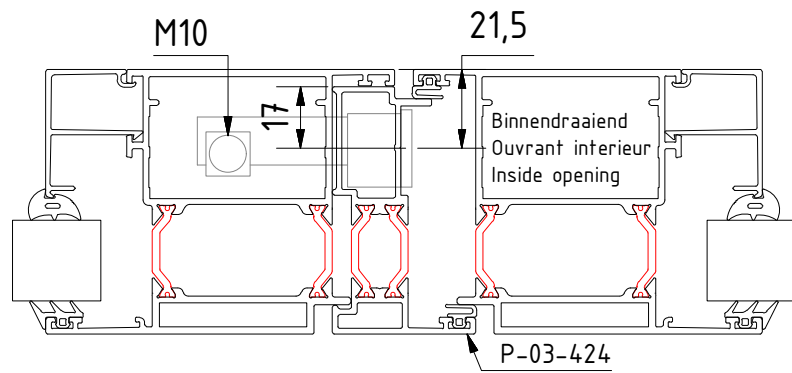
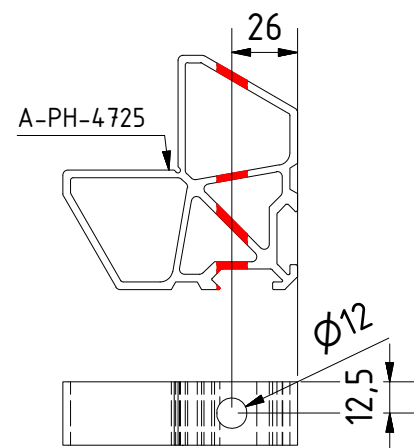




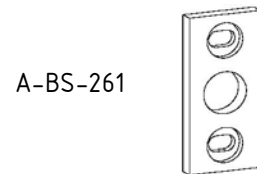
EspagnoletSlot.idw



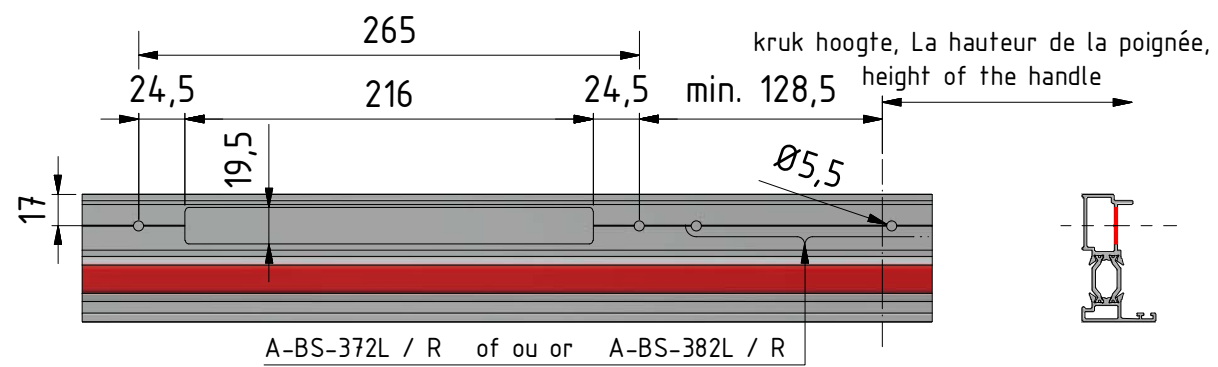
EspagnoletSlot.idw



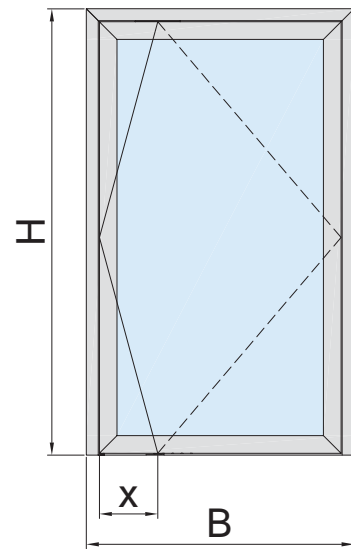
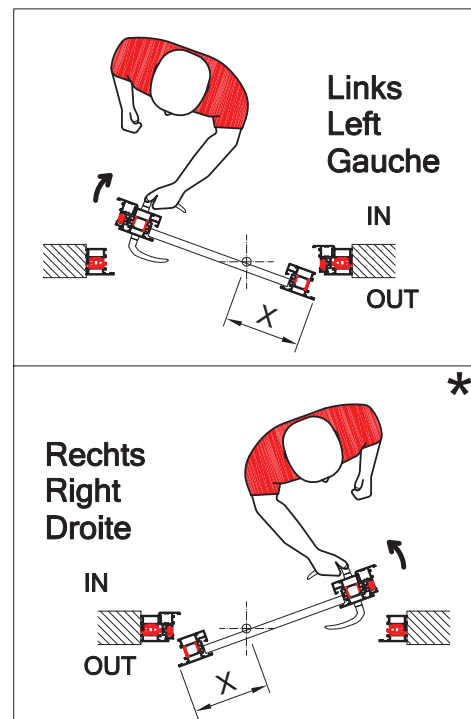
A-BS-262



A-BS-261

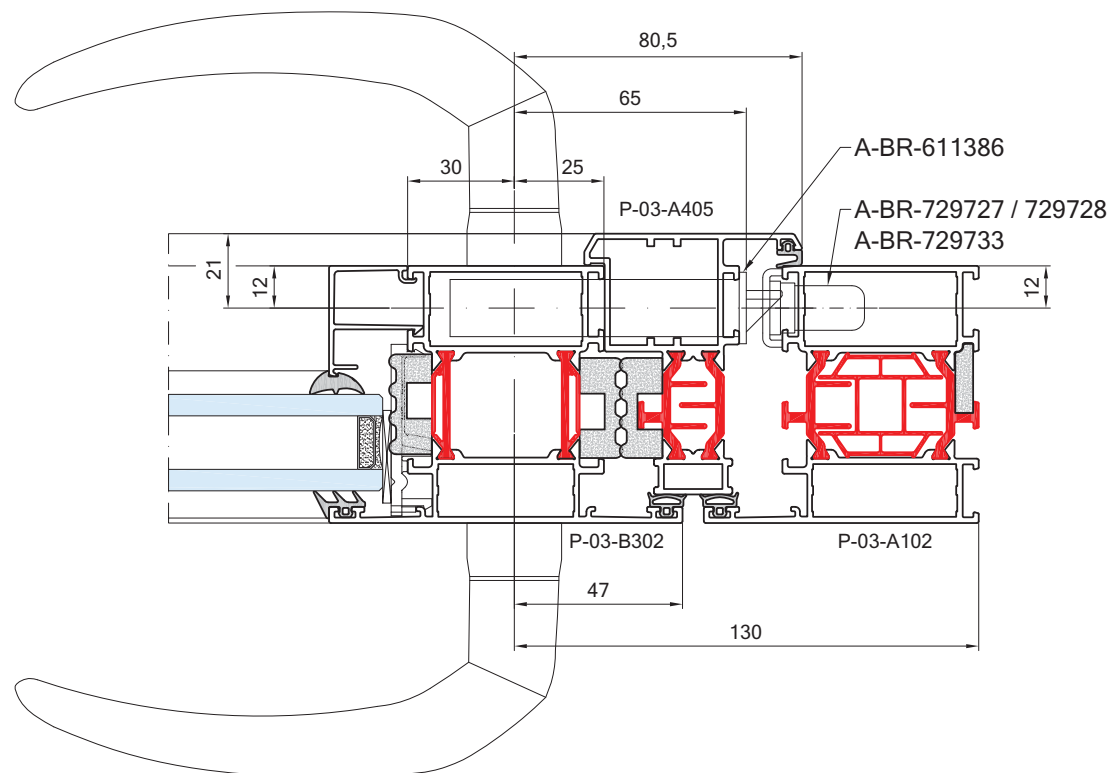


EspagnoletSlot.idw

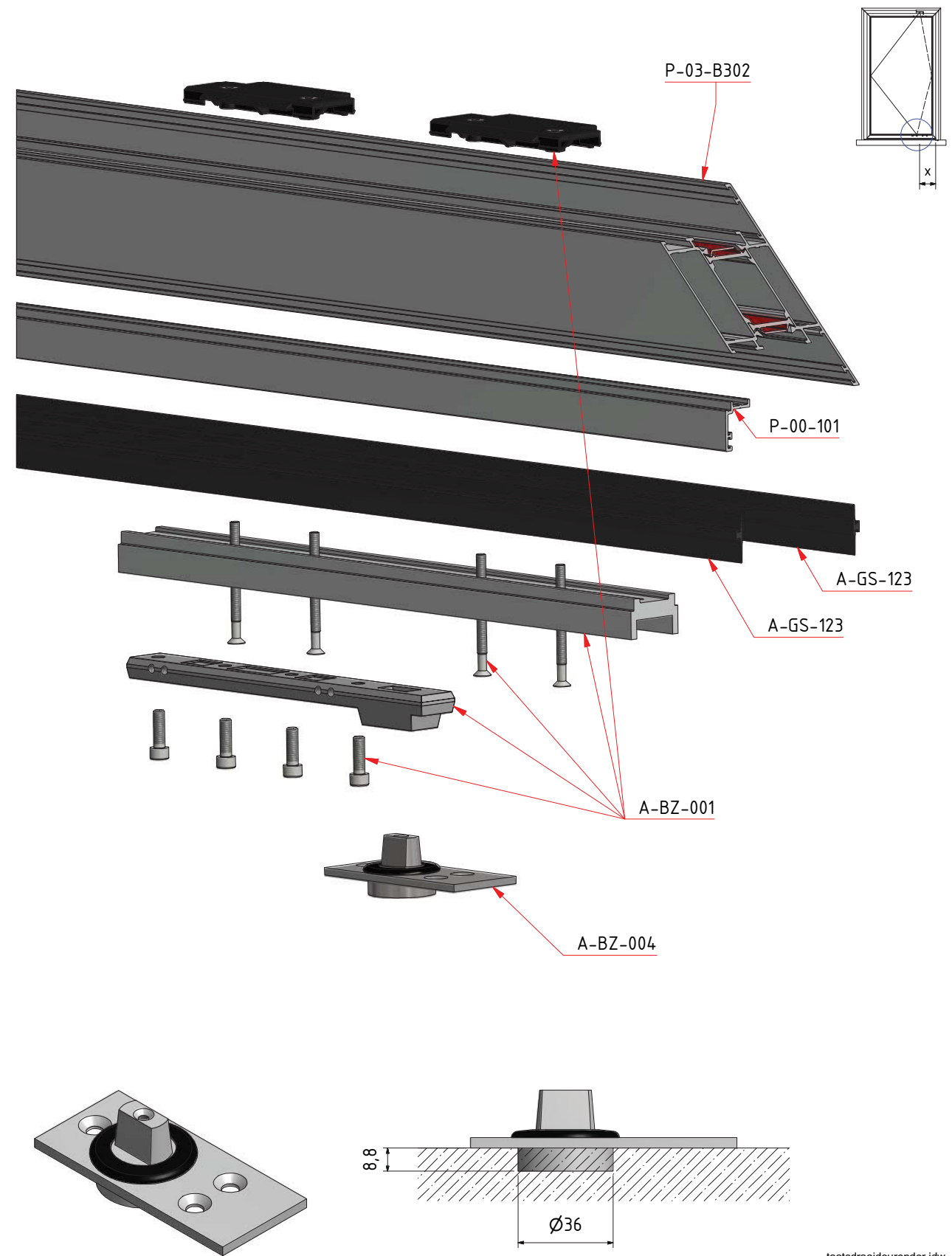


MAX. 300kg

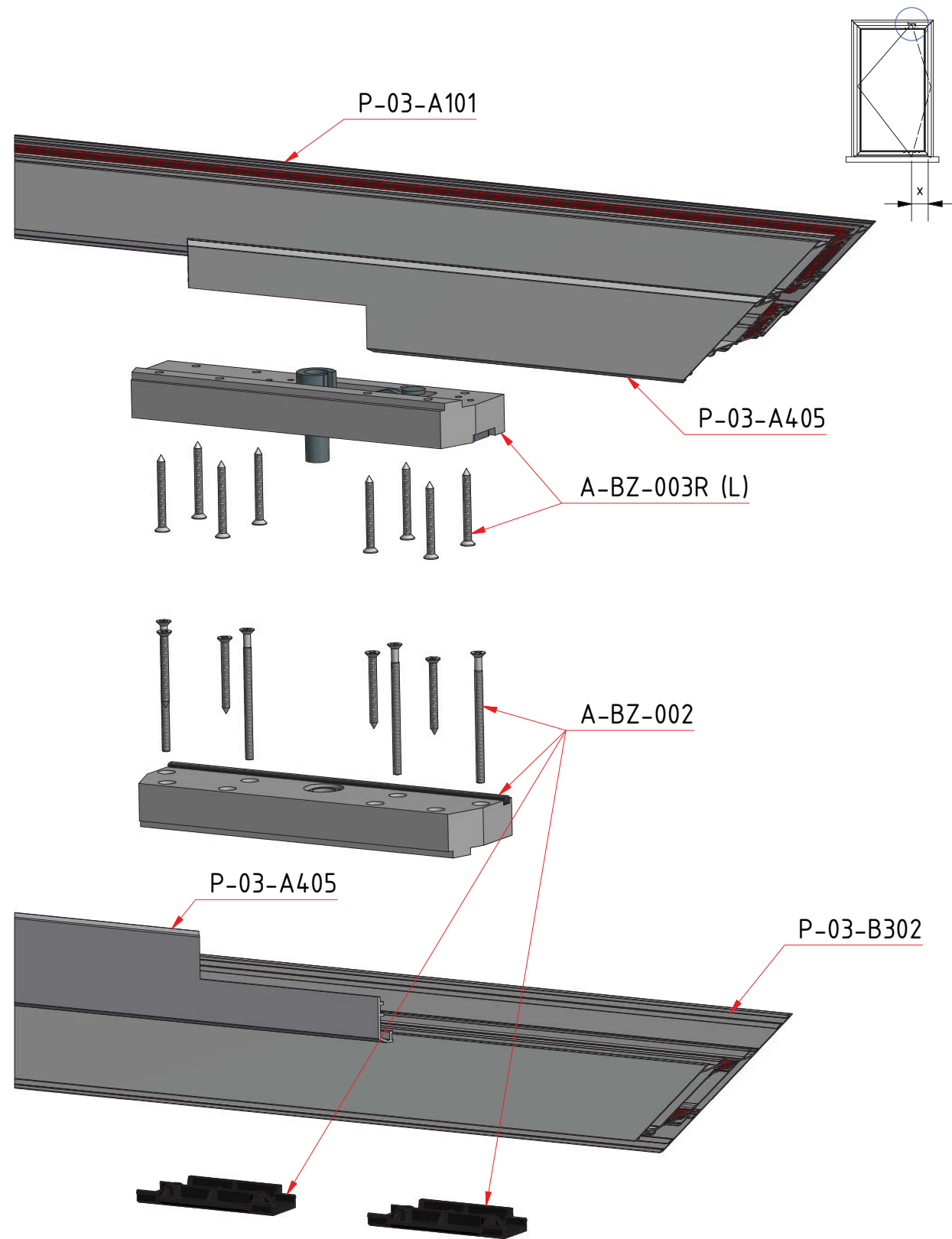
X = min 230 mm



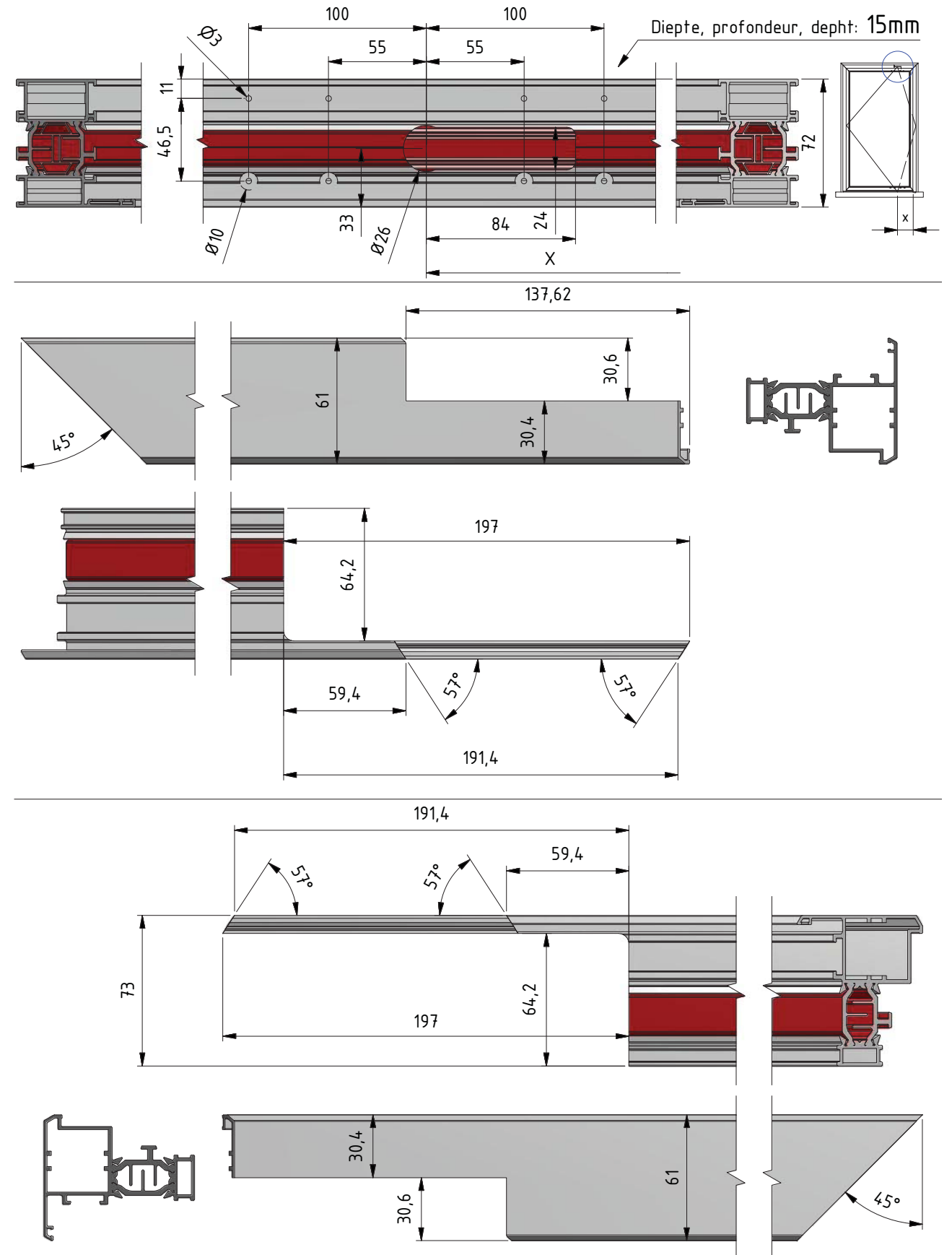
taatsdeur_slo

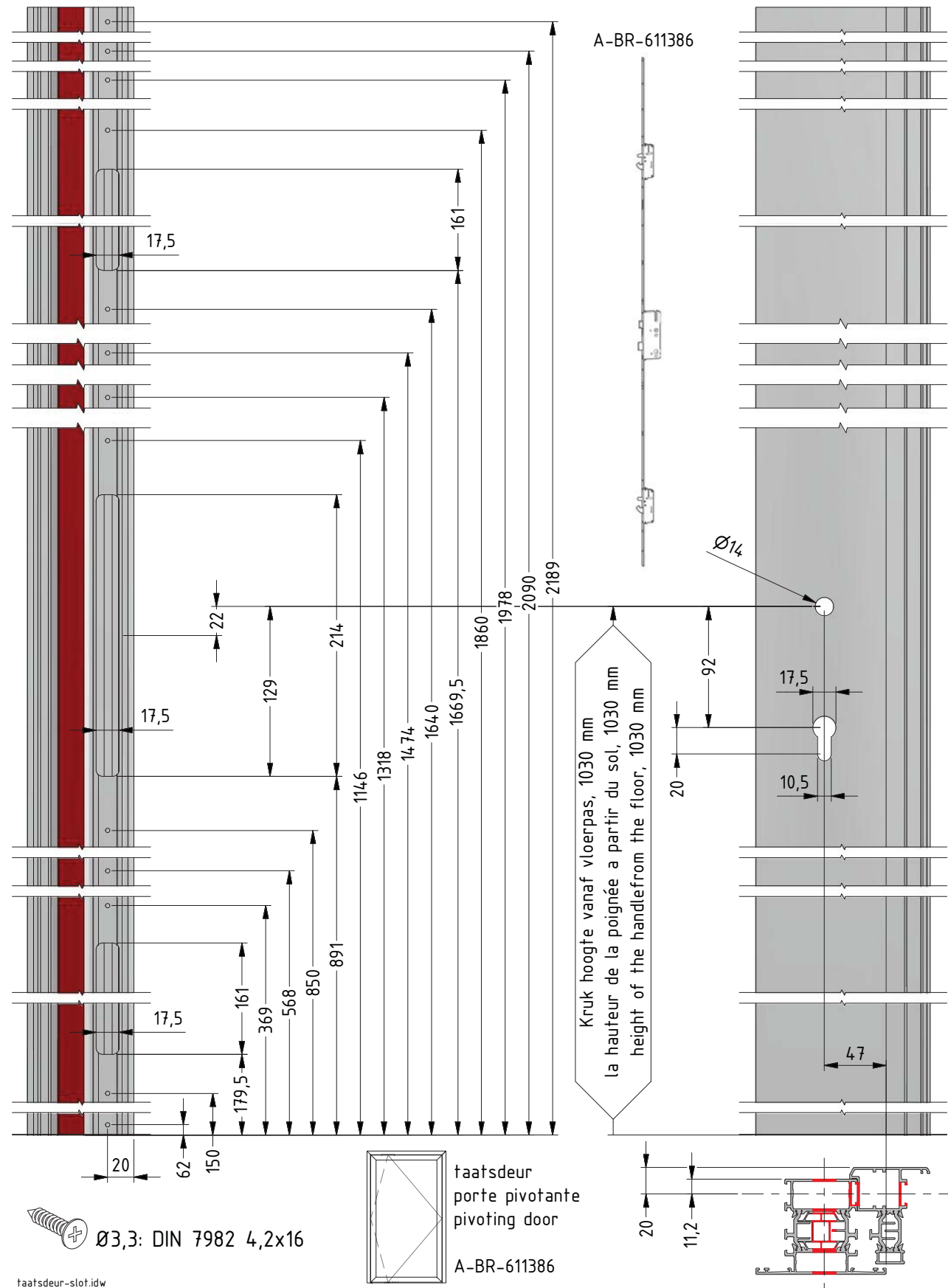


taatsdraaideuronder.idw



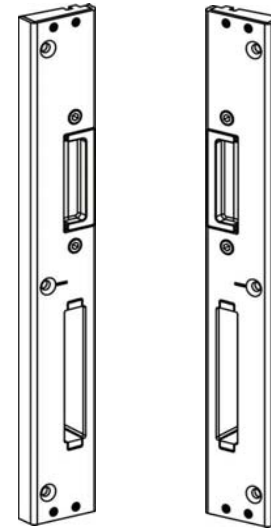
taatsdraaideurboven.idw





A-BR-729727
Links, Gauche, Left

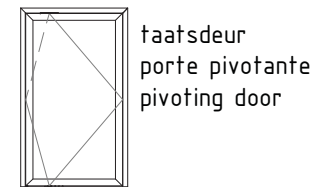
A-BR-729728
Rechts, Droite, Right



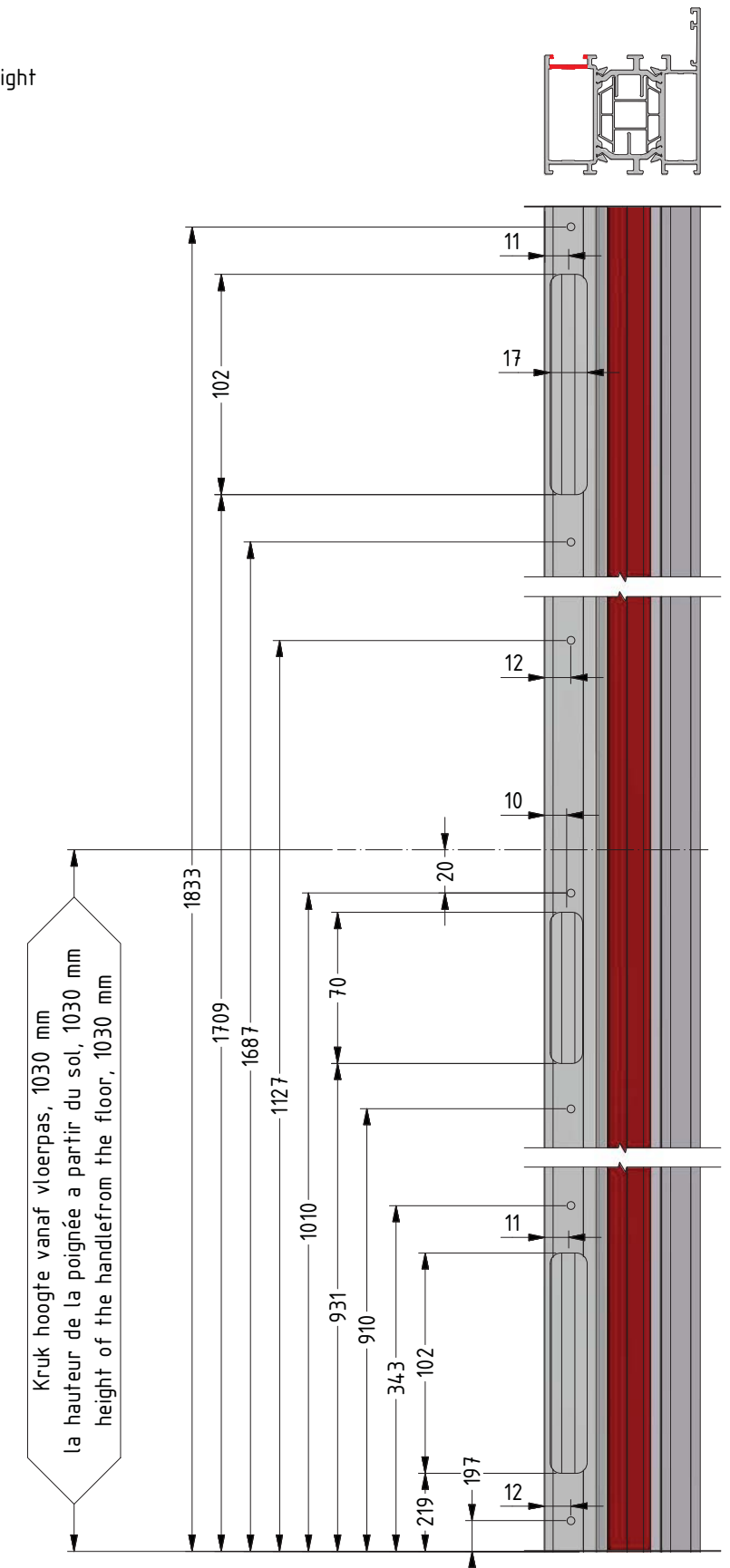
A-BR-729733



Ø3,3: DIN 7982 4,2x16



taatsdeur-slotplaat apart.idw

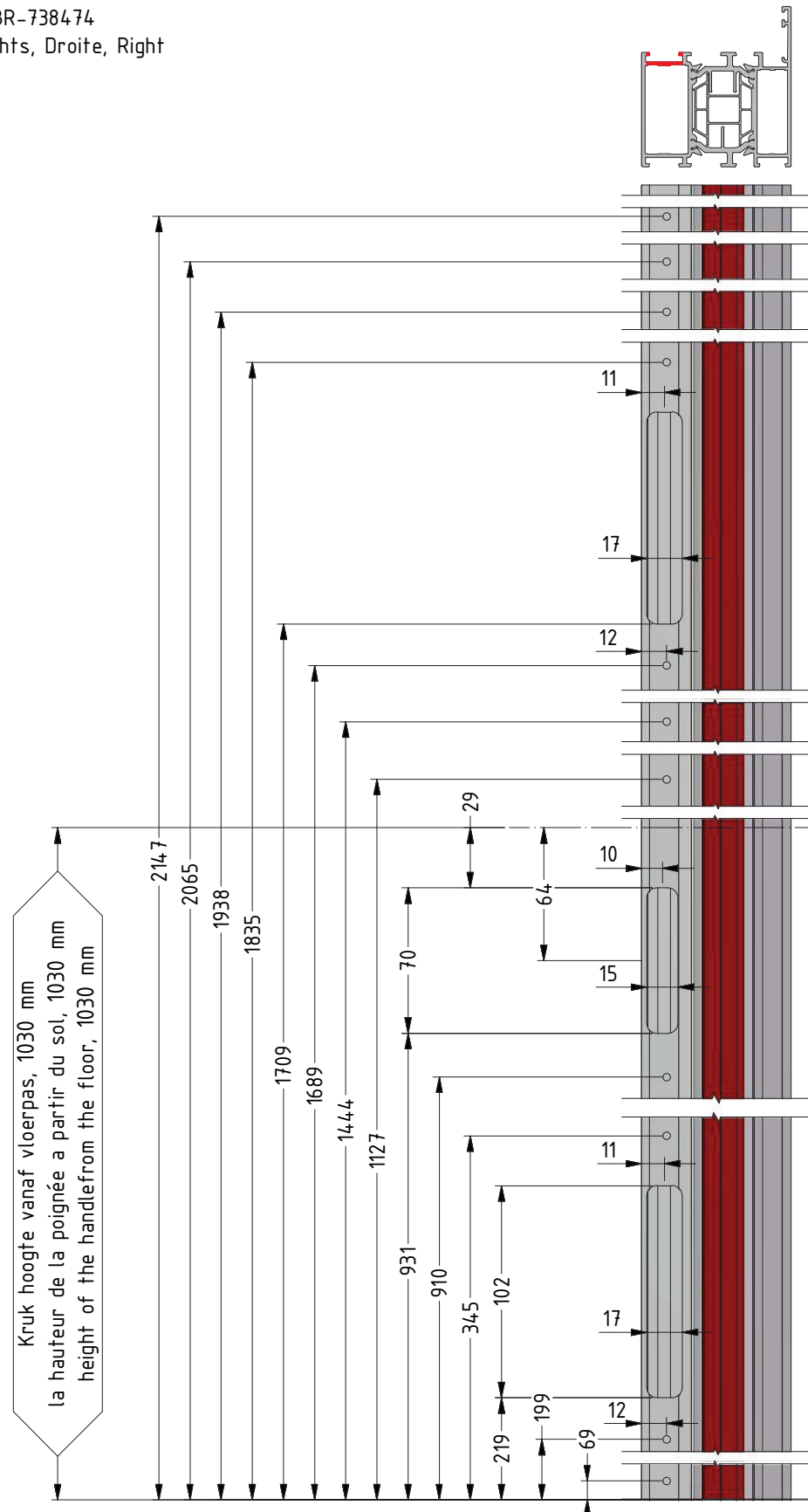


A-BR-738473 A-BR-738474
 Links, Gauche, Left Rechts, Droite, Right

Ø3,3:
 DIN 7982 4,2x16

taatsdeur
 porte pivotante
 pivoting door

taatsdeur-Langeslotplaat_idw

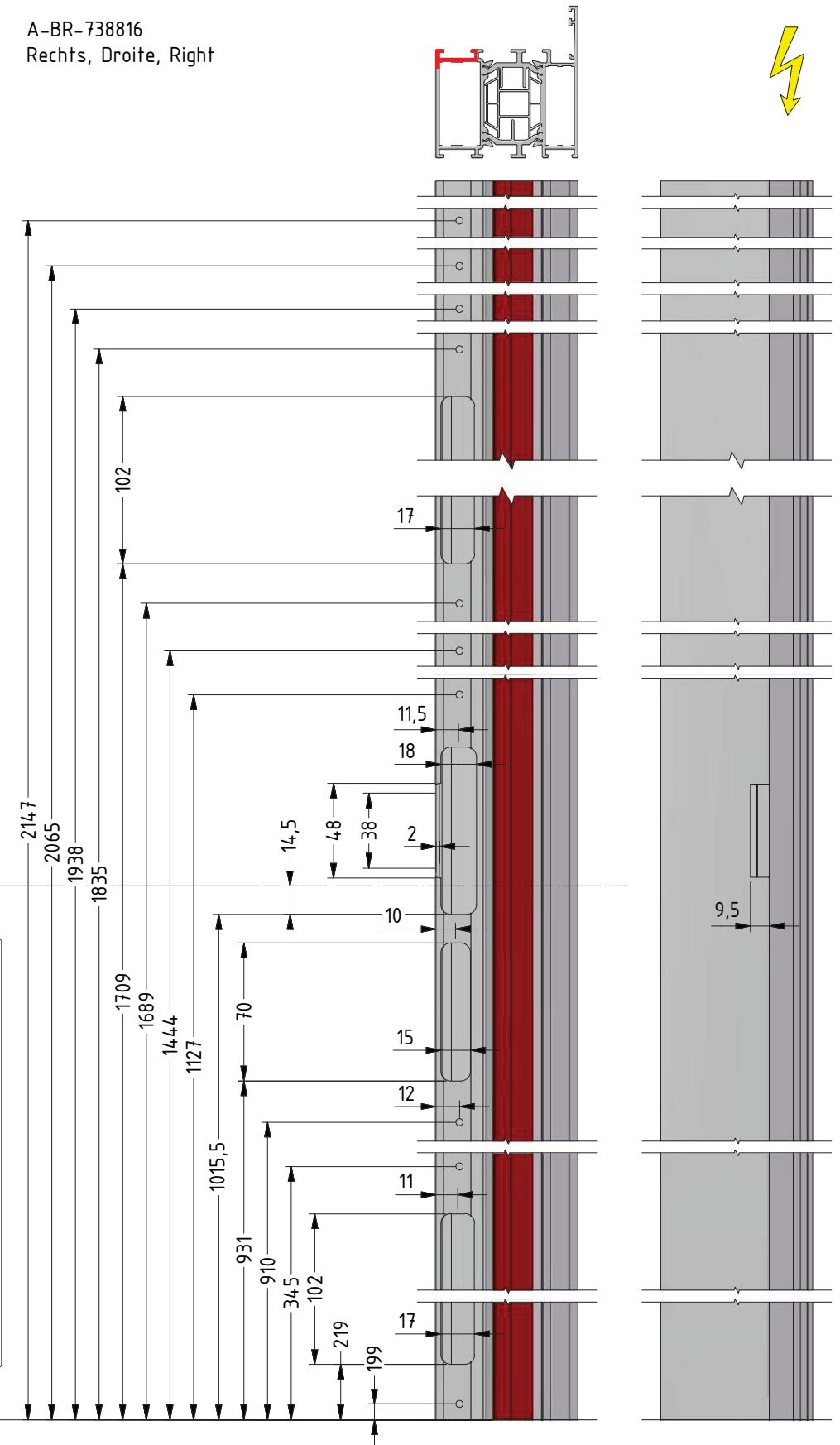


A-BR-738815 A-BR-738816
 Links, Gauche, Left Rechts, Droite, Right

Ø3,3:
 DIN 7982 4,2x16

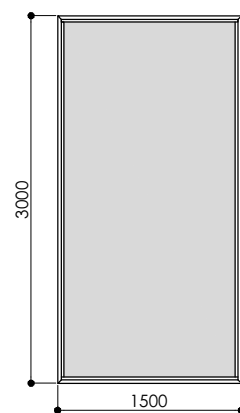
taatsdeur
 porte pivotante
 pivoting door

taatsdeur-Langeslotplaat_elec_idw

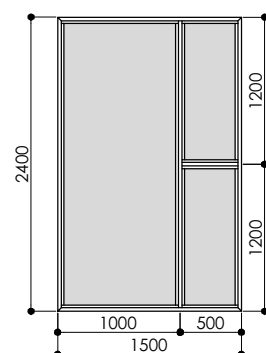


- Possibilities, classification and maximum dimensions
- Mogelijkheden, classificatie en maximale afmetingen
- Possibilités, classification et dimensions maximales

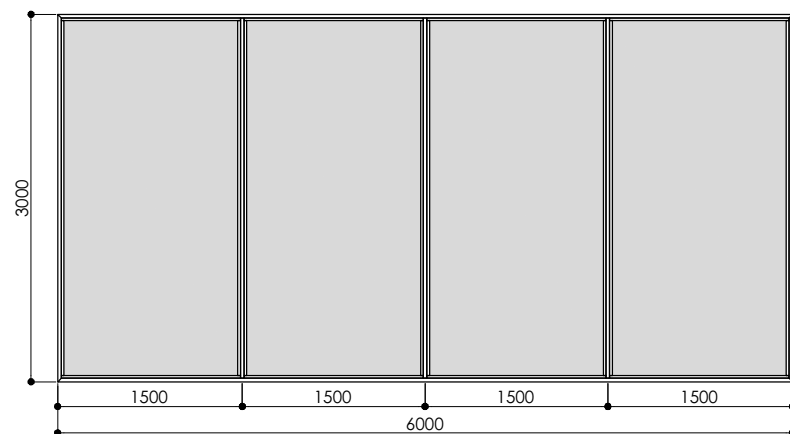
FIXED WINDOWS
VASTE RAMEN
FENÊTRES FIXES



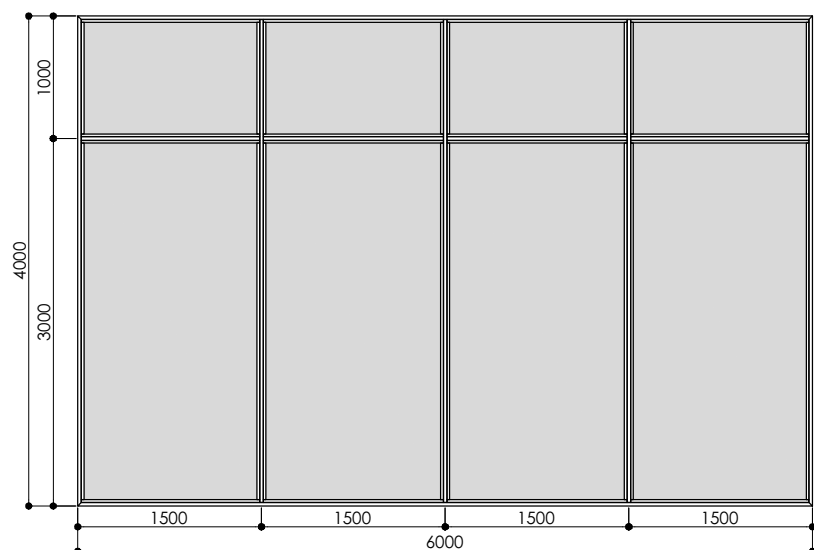
class	in -> out	out -> in
	EN 1364-1	EN 1363-2
EW 30	x	x
EI 30	x	
EW 60		x



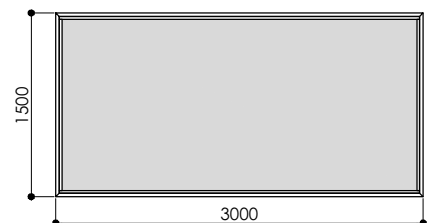
class	in -> out	out -> in
	EN 1364-1	EN 1363-2
EW 30	x	x
EI 30	x	
EW 60		x



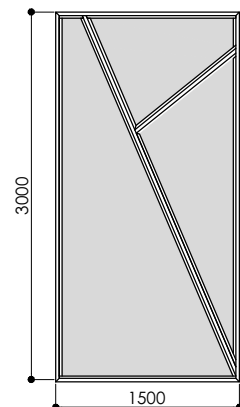
class	in -> out	out -> in
	EN 1364-1	EN 1363-2
EW 30	x	x
EW 60		x



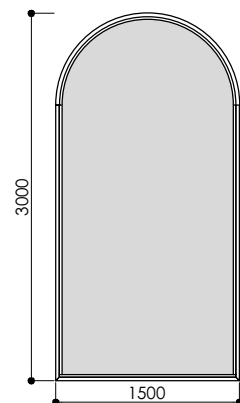
class	in -> out	out -> in
	EN 1364-1	EN 1363-2
EW 30	x	x
EW 60		x



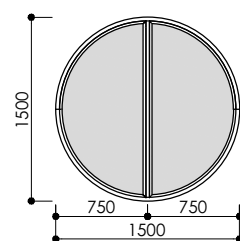
class	in -> out	out -> in
	EN 1364-1	EN 1363-2
EW 30	x	x
EW 60		x



class	in -> out	out -> in
	EN 1364-1	EN 1363-2
EW 30	x	x
EW 60		x

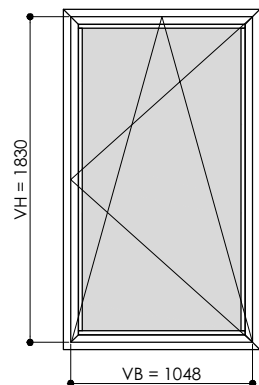


class	in -> out	out -> in
	EN 1364-1	EN 1363-2
EW 30	x	x
EW 60		x

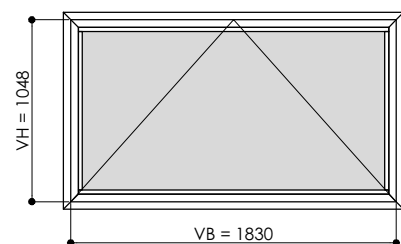


class	in -> out	out -> in
	EN 1364-1	EN 1363-2
EW 30	x	x
EW 60		x

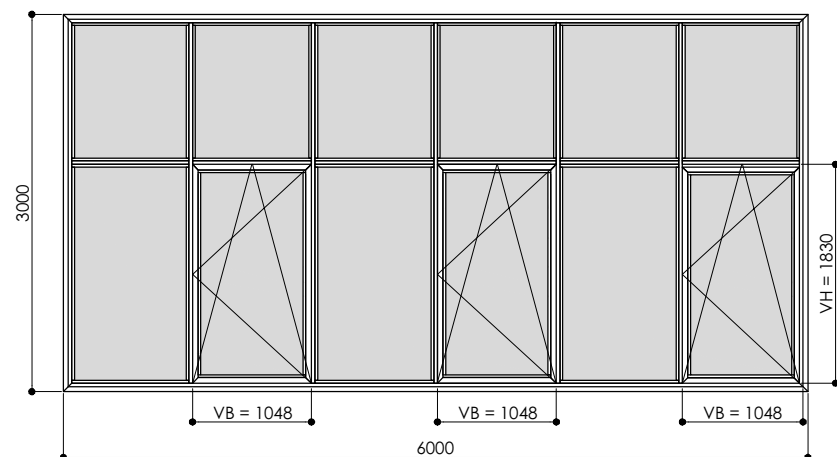
OPENABLE WINDOWS
OPENGAANDE RAMEN
FENÊTRES OUVRANTES



class	in -> out	out -> in
	EN 1364-1	EN 1363-2
EW 30	x	x
EW 60		x

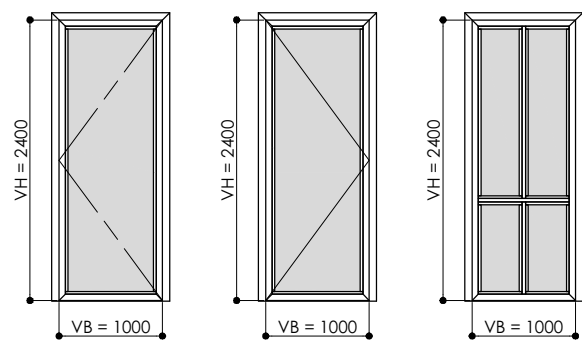


class	in -> out	out -> in
	EN 1364-1	EN 1363-2
EW 30	x	x
EW 60		x

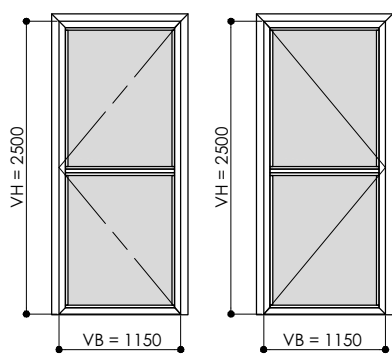


class	in -> out	out -> in
	EN 1364-1	EN 1363-2
EW 30	x	x
EW 60		x

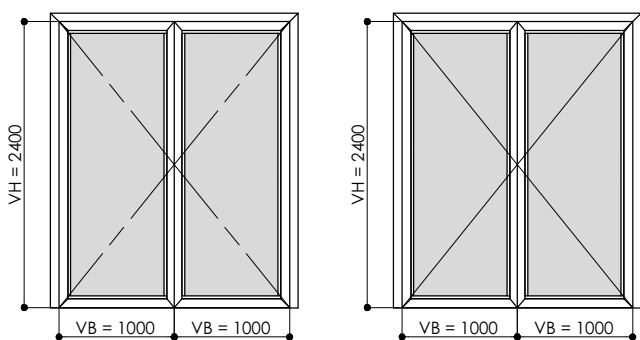
DOORS
DEUREN
PORTES



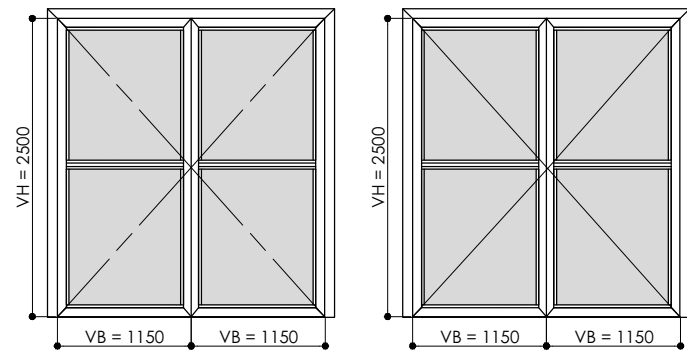
class	in -> out	out -> in
	EN 1364-1	EN 1363-2
EW 30	x	x
EW 60		x



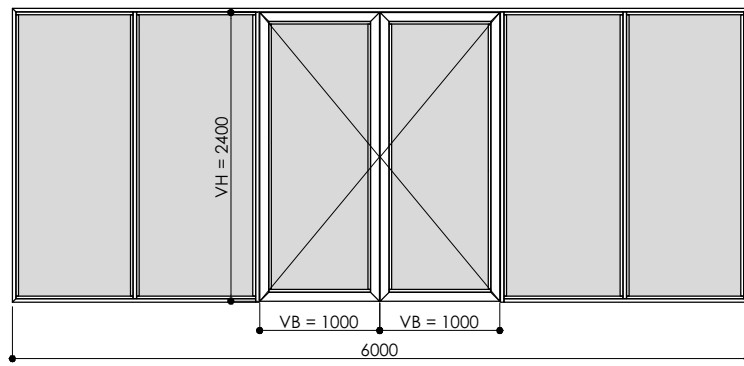
class	in -> out	out -> in
	EN 1364-1	EN 1363-2
EW 30	x	x
EW 60		x



class	in -> out	out -> in
	EN 1364-1	EN 1363-2
EW 30	x	x
EW 60		x

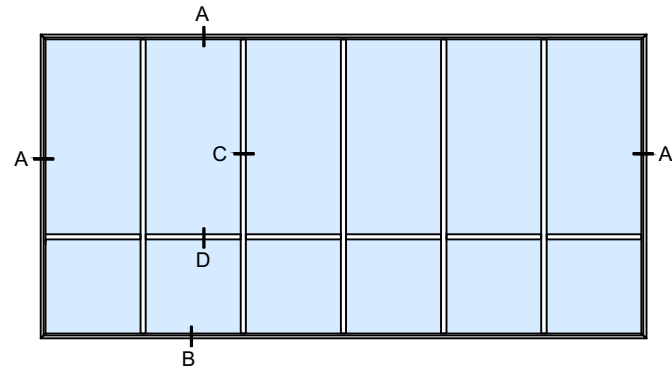


class	in -> out	out -> in
	EN 1364-1	EN 1363-2
EW 30	x	x
EW 60		x

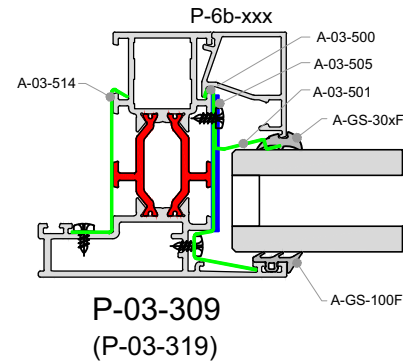
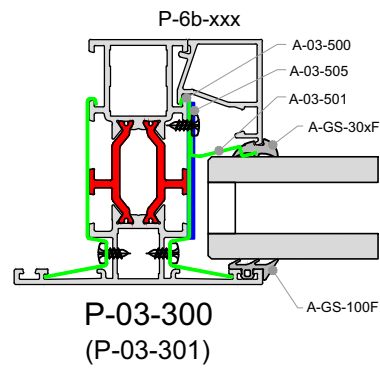
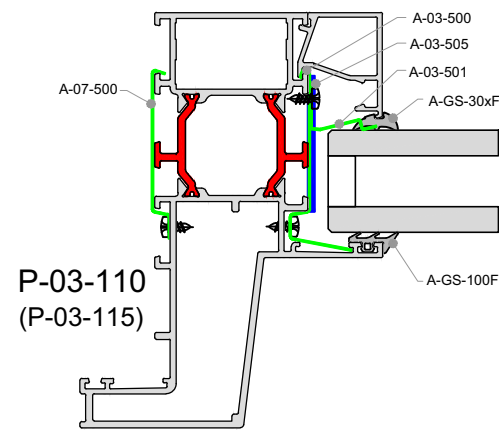
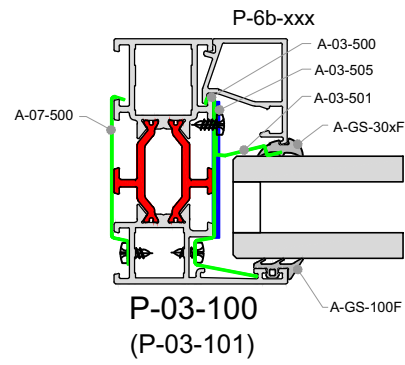


class	in -> out	out -> in
	EN 1364-1	EN 1363-2
EW 30	x	x
EW 60		x

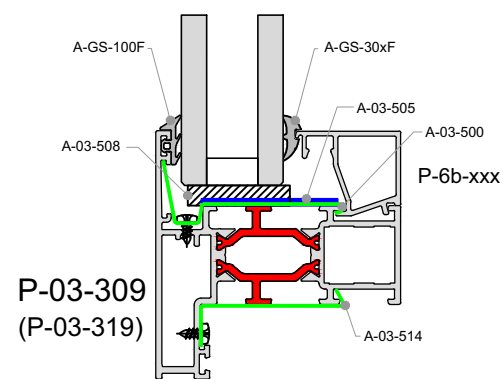
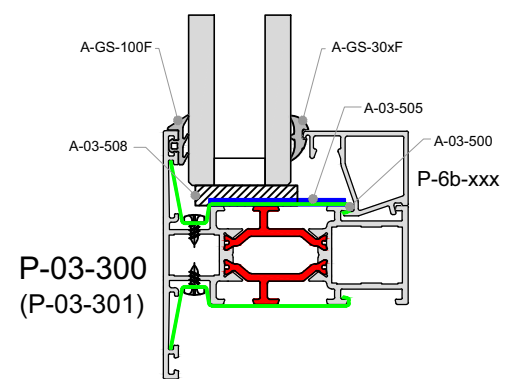
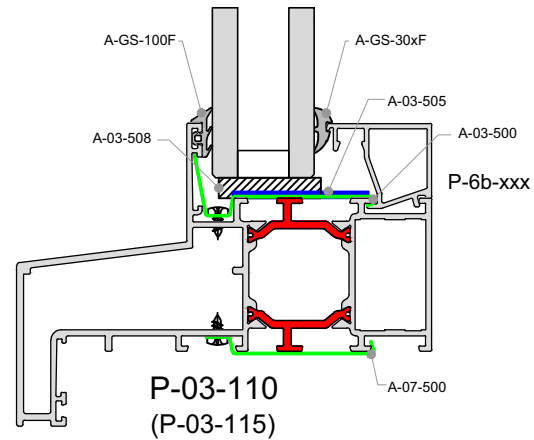
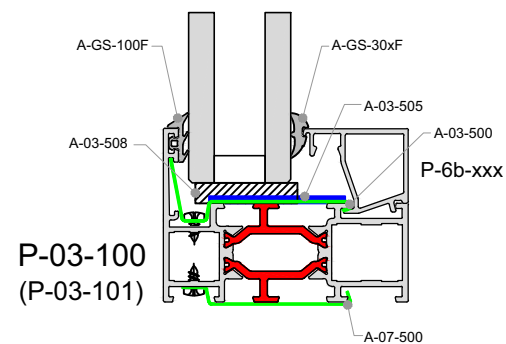
TRITON FP FIXED WINDOWS



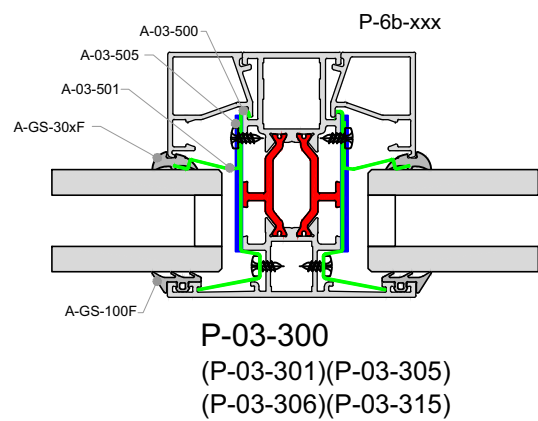
FRAMES (A)



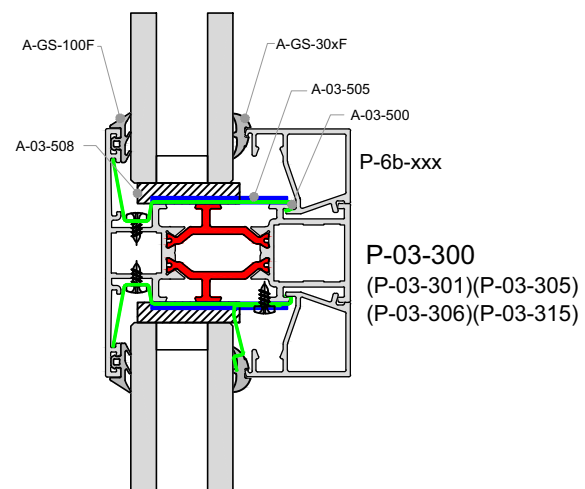
FRAMES (B)



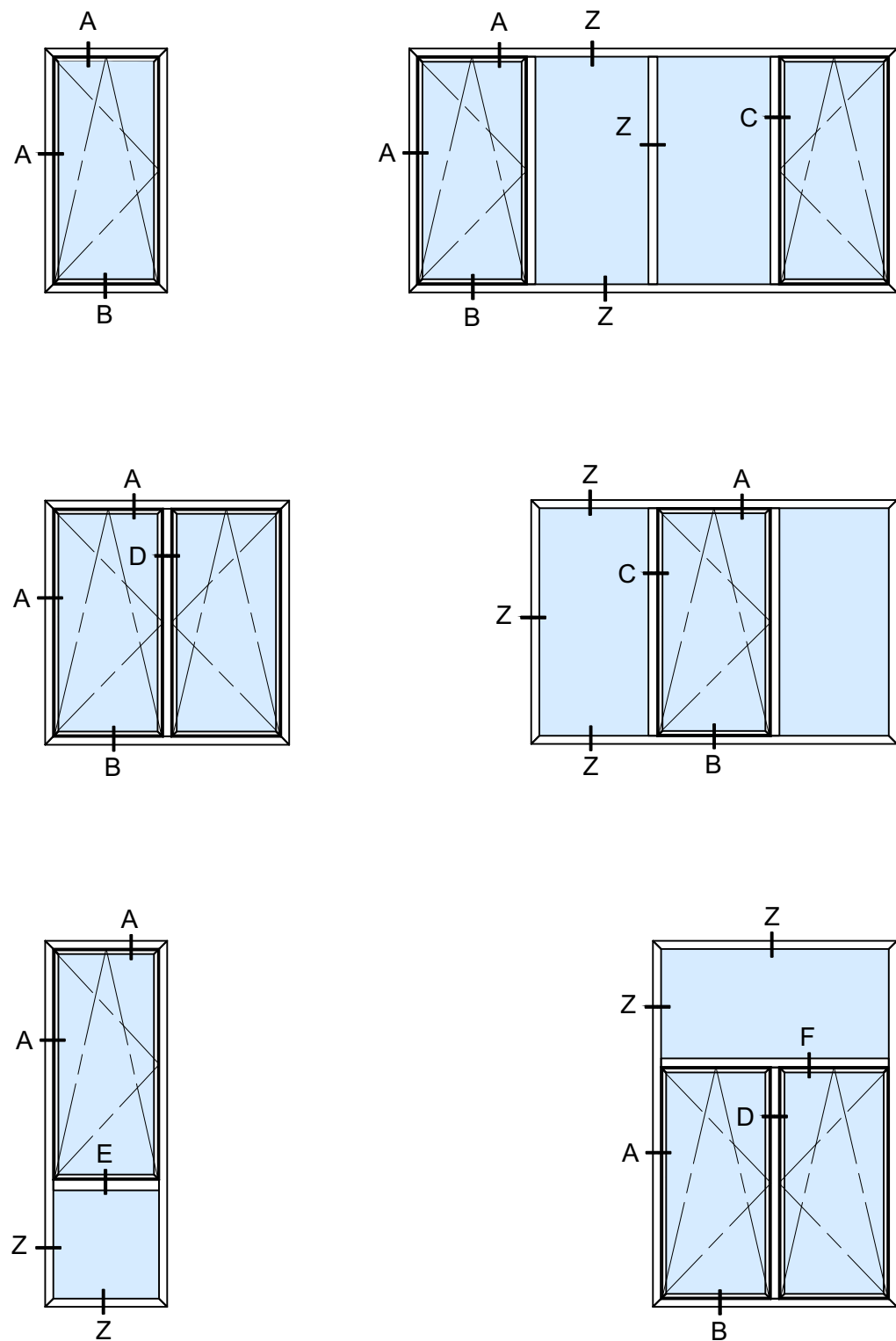
MULLIONS (C)



TRANSOMS (D)

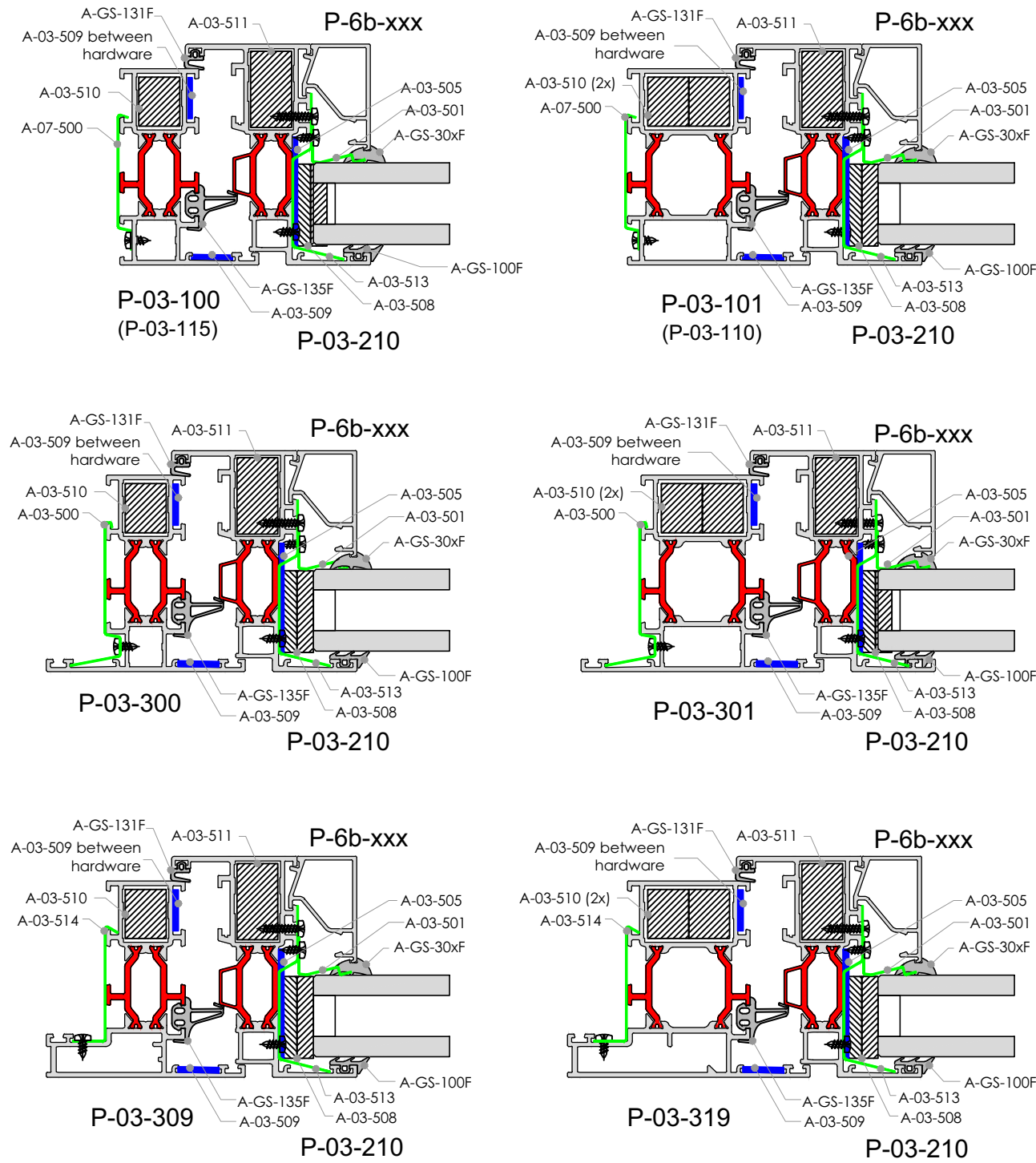


TRITON FP OPENABLE WINDOWS



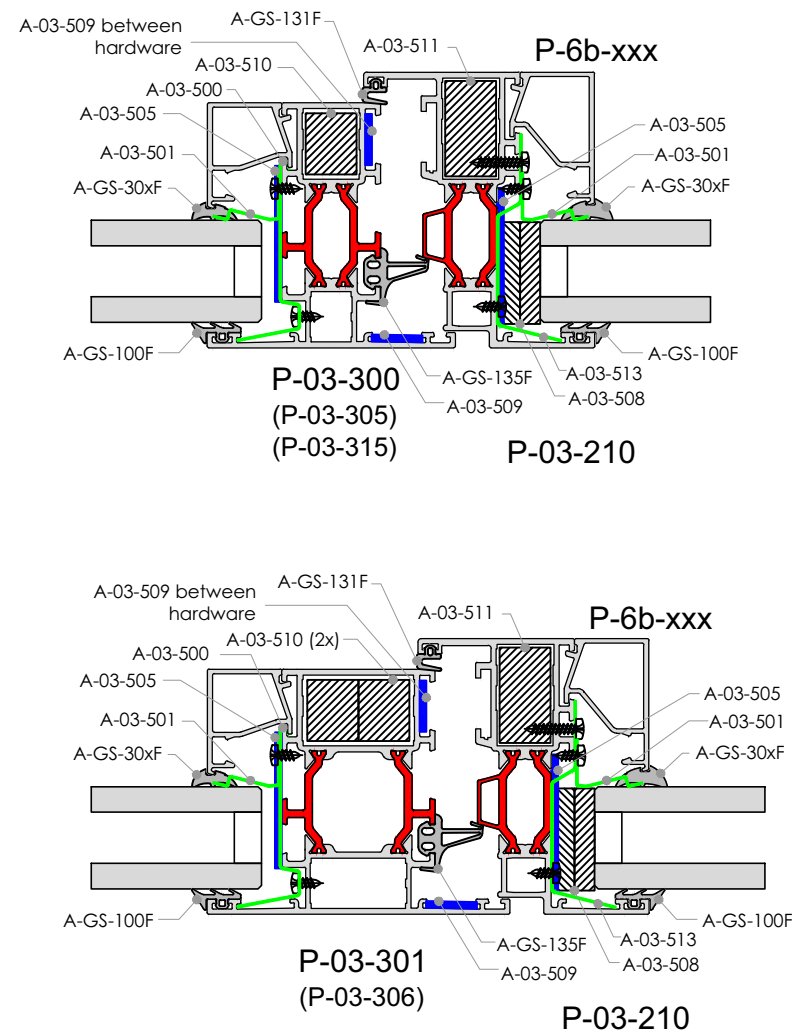
SECTION (Z) = like glazed screens

SECTION (A)

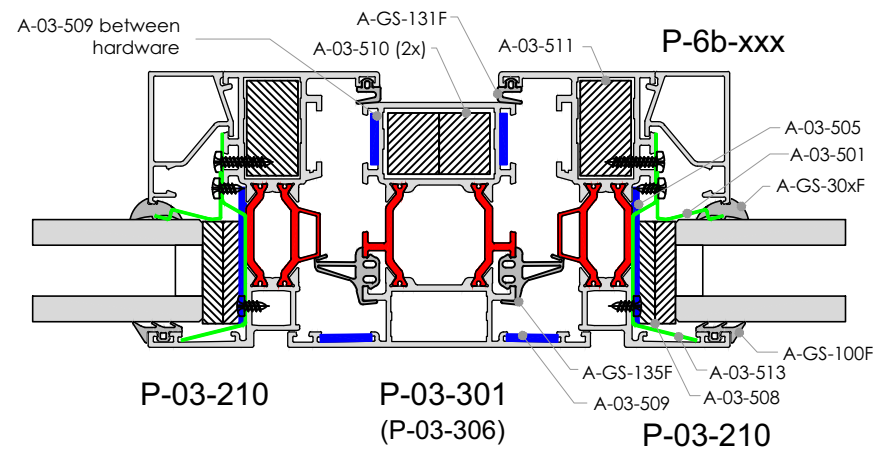
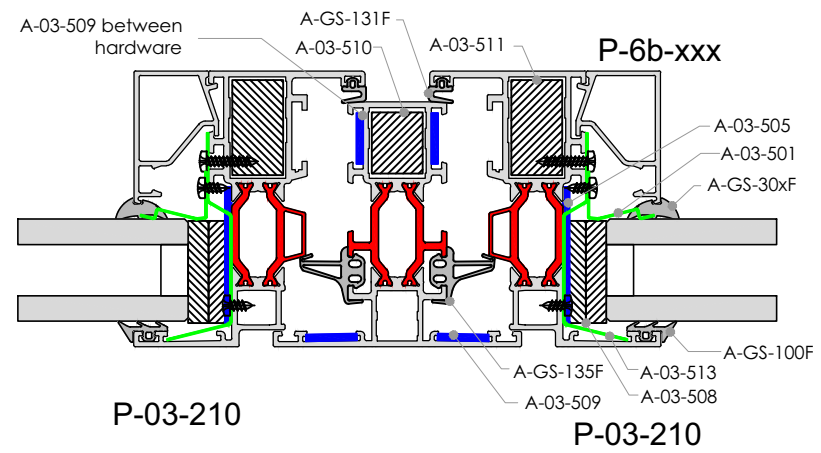


SECTION (B) = SECTION (A) without A-03-501

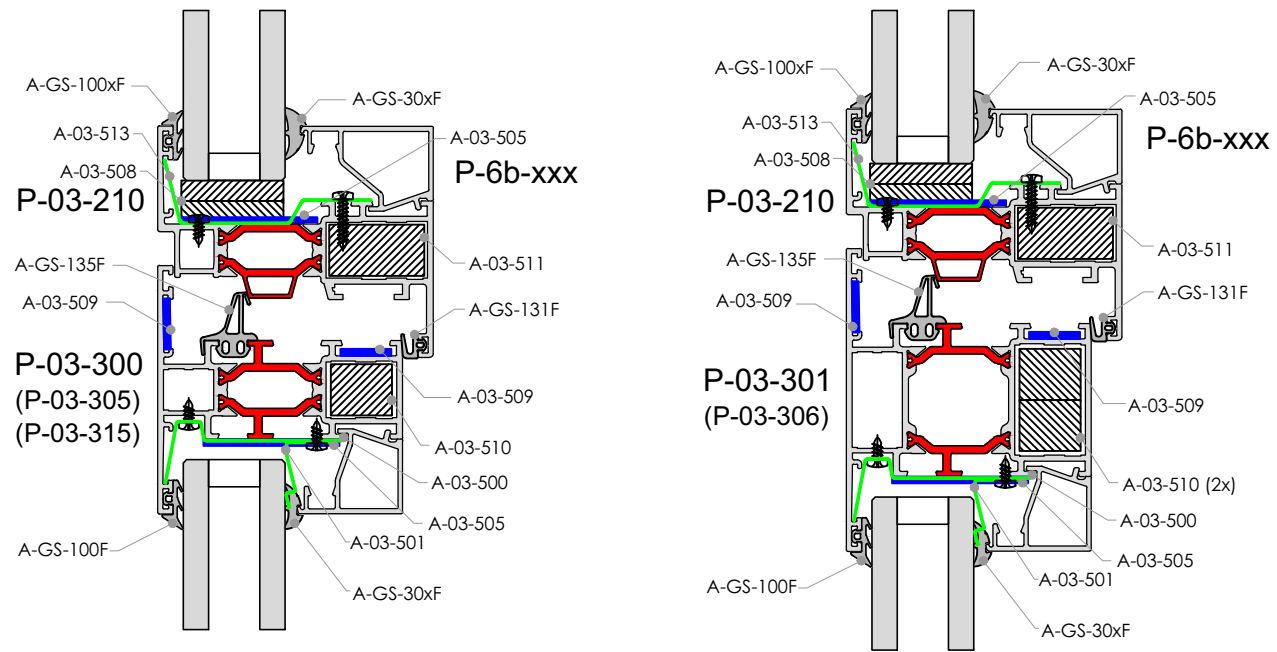
SECTION (C)



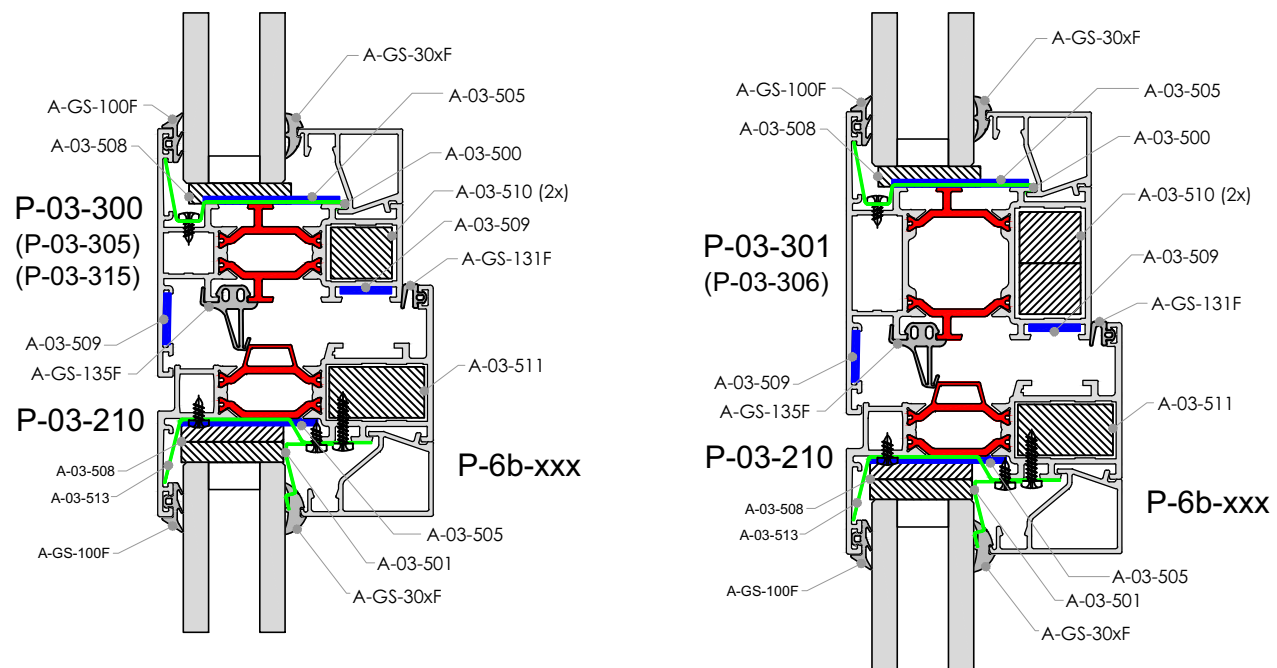
SECTION (D)



SECTION (E)

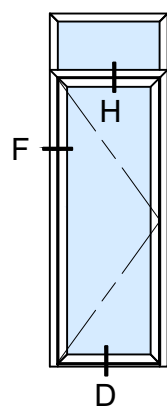
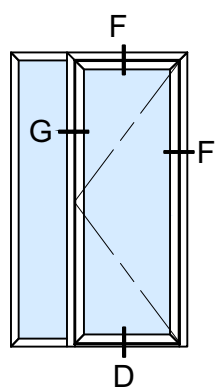
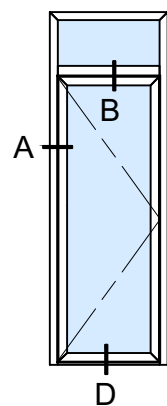
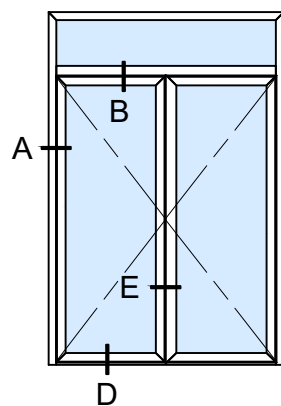
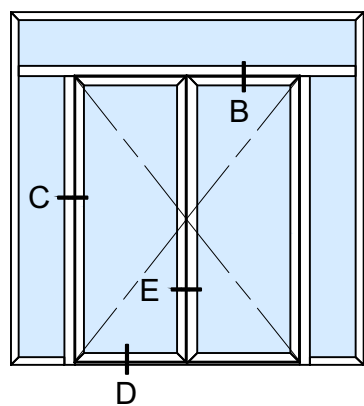
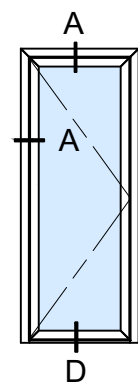
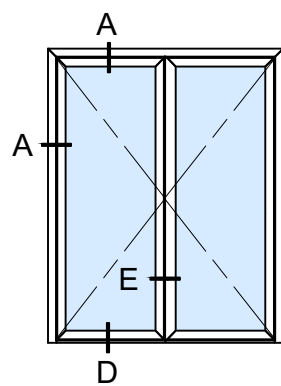
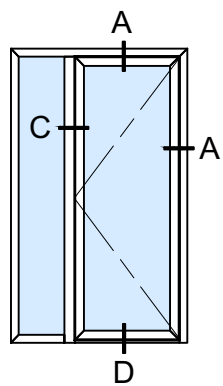


SECTION (F)



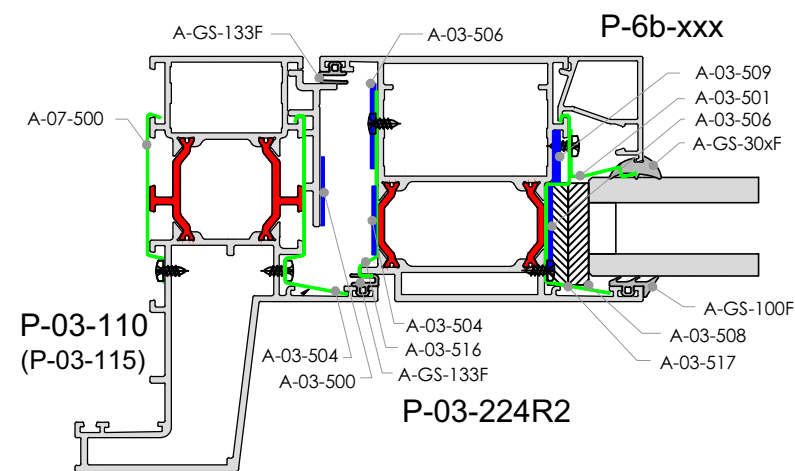
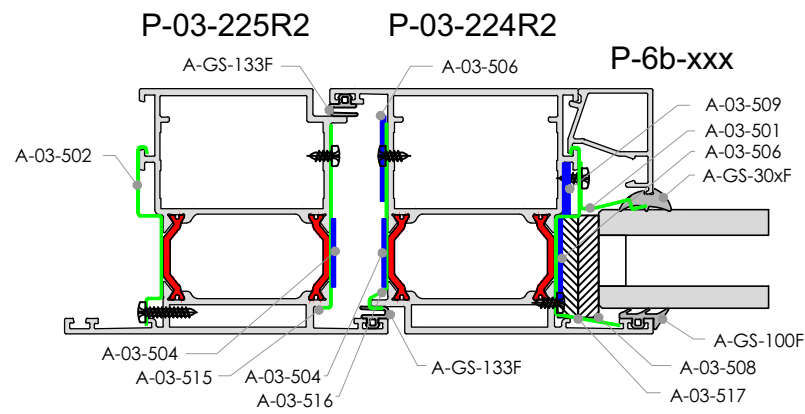
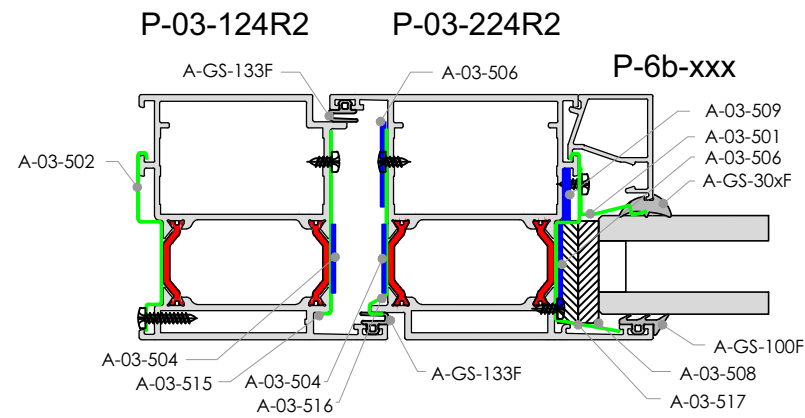
SECTION (Z) = like glazed screens

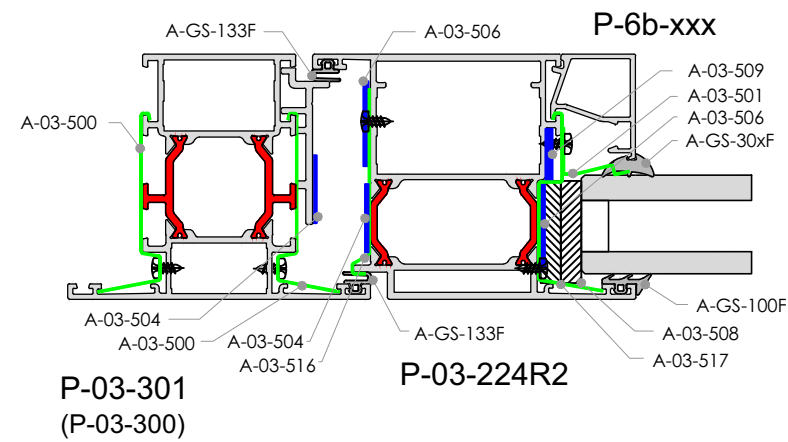
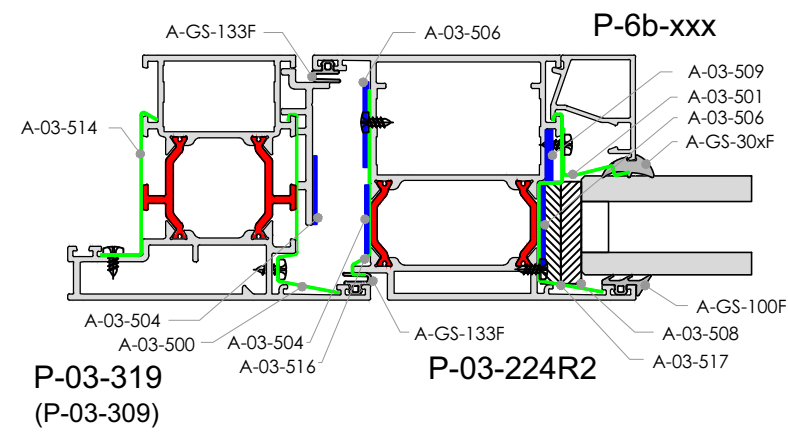
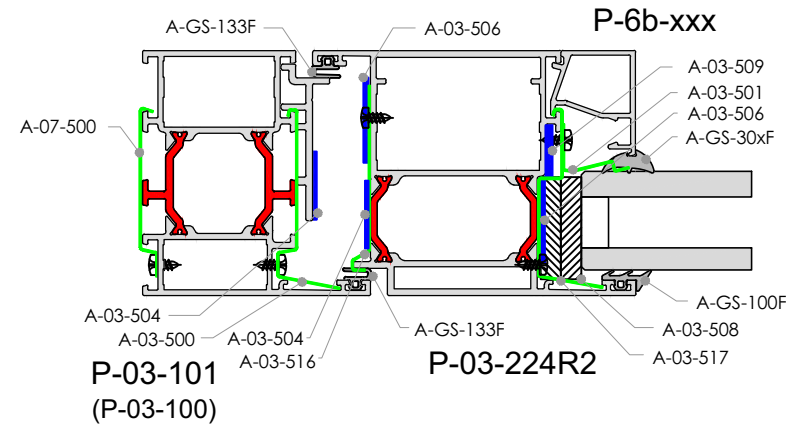
TRITON FP DOOR ASSEMBLIES



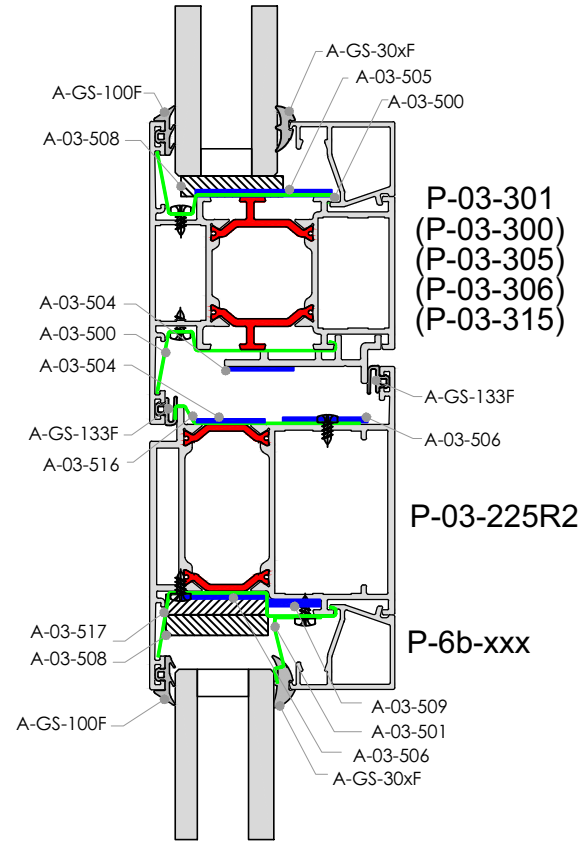
INSIDE OPENING DOORS

SECTION (A)

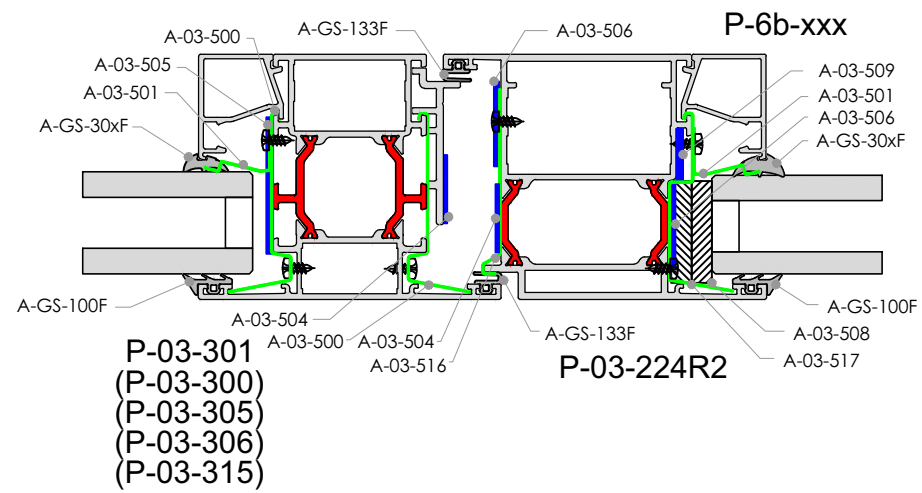




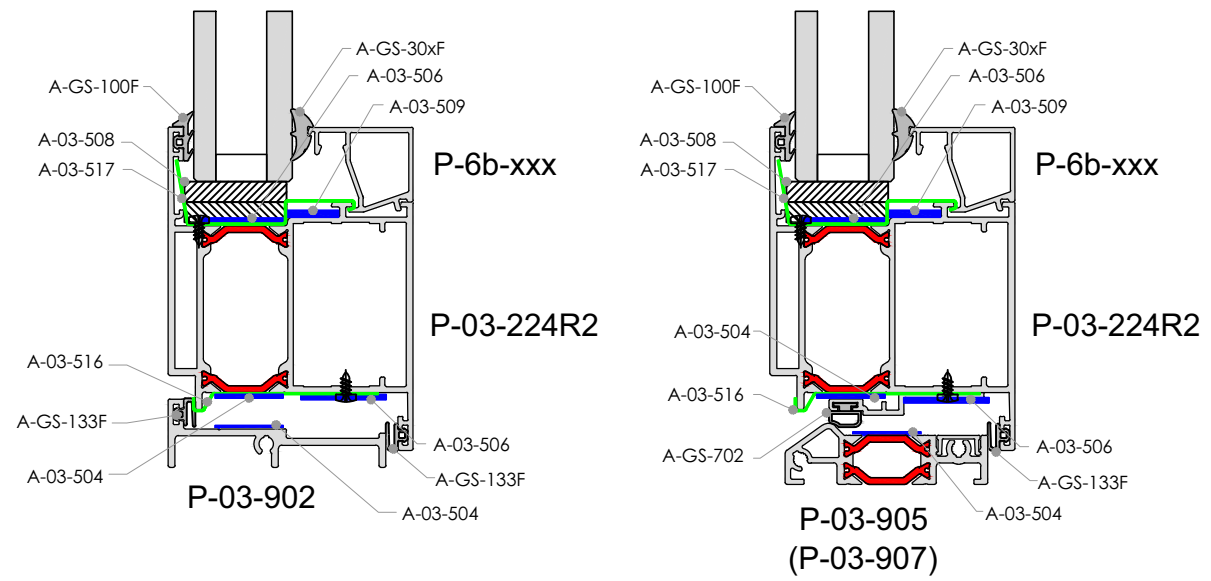
SECTION (B)



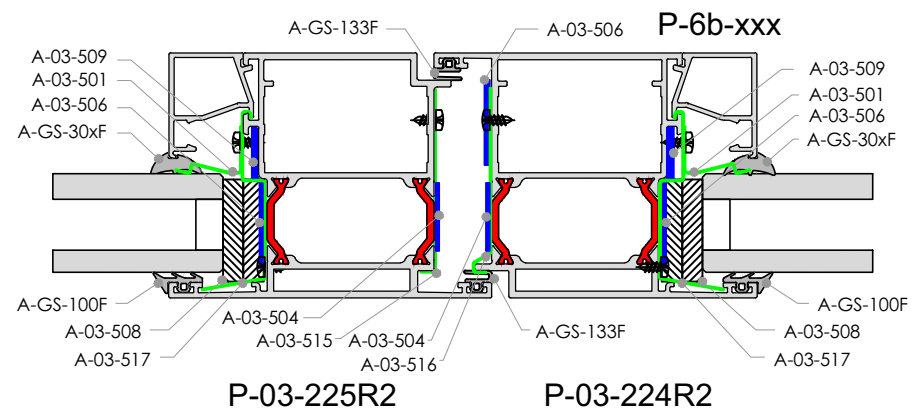
SECTION (C)



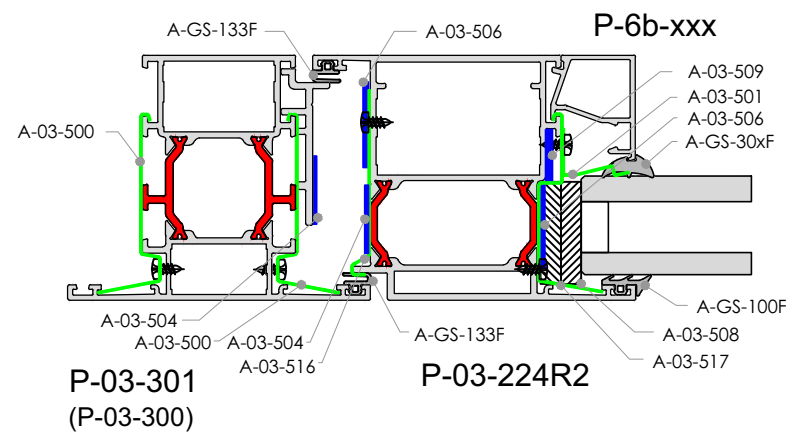
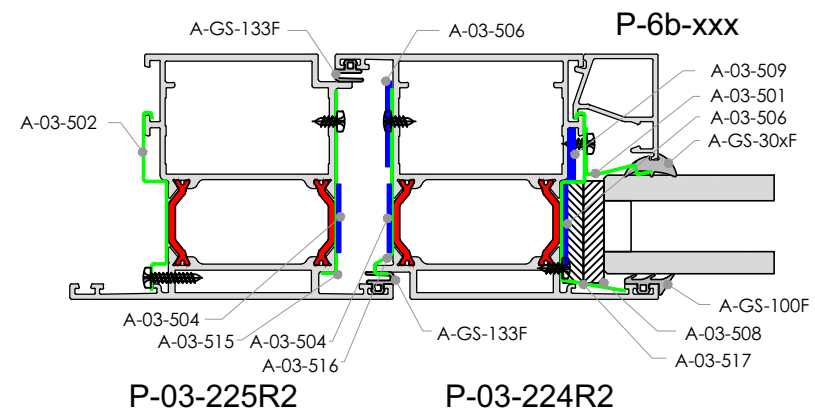
SECTION (D)



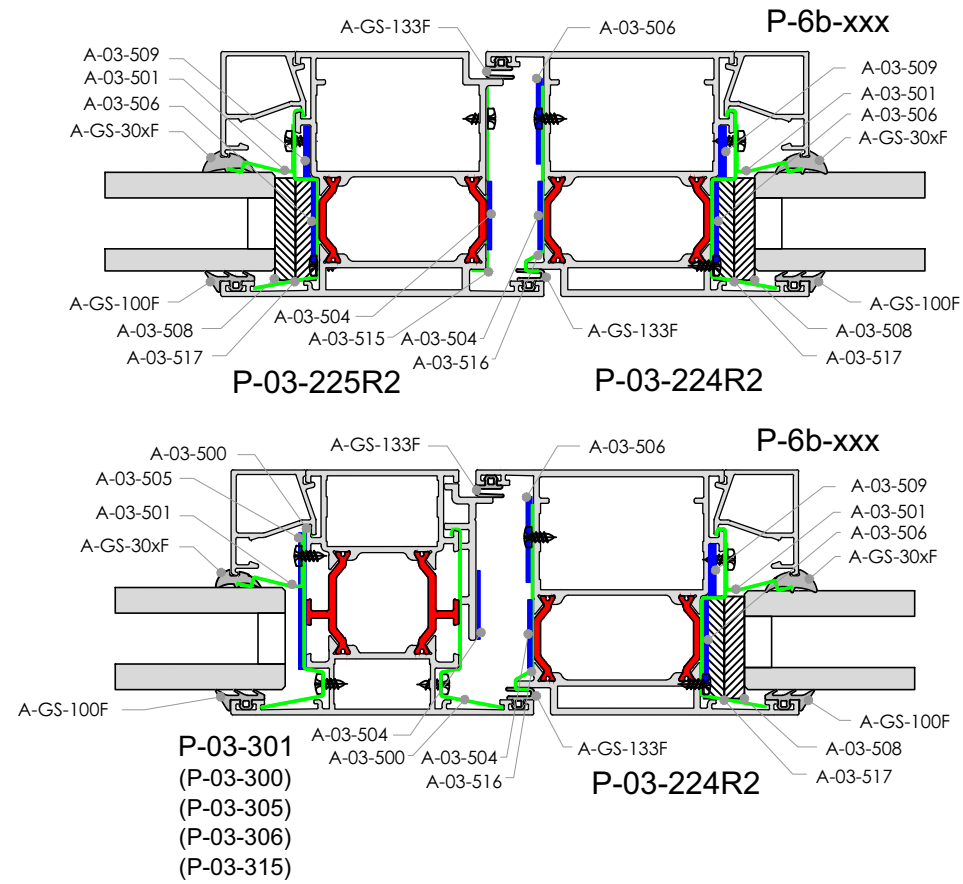
SECTION (E)



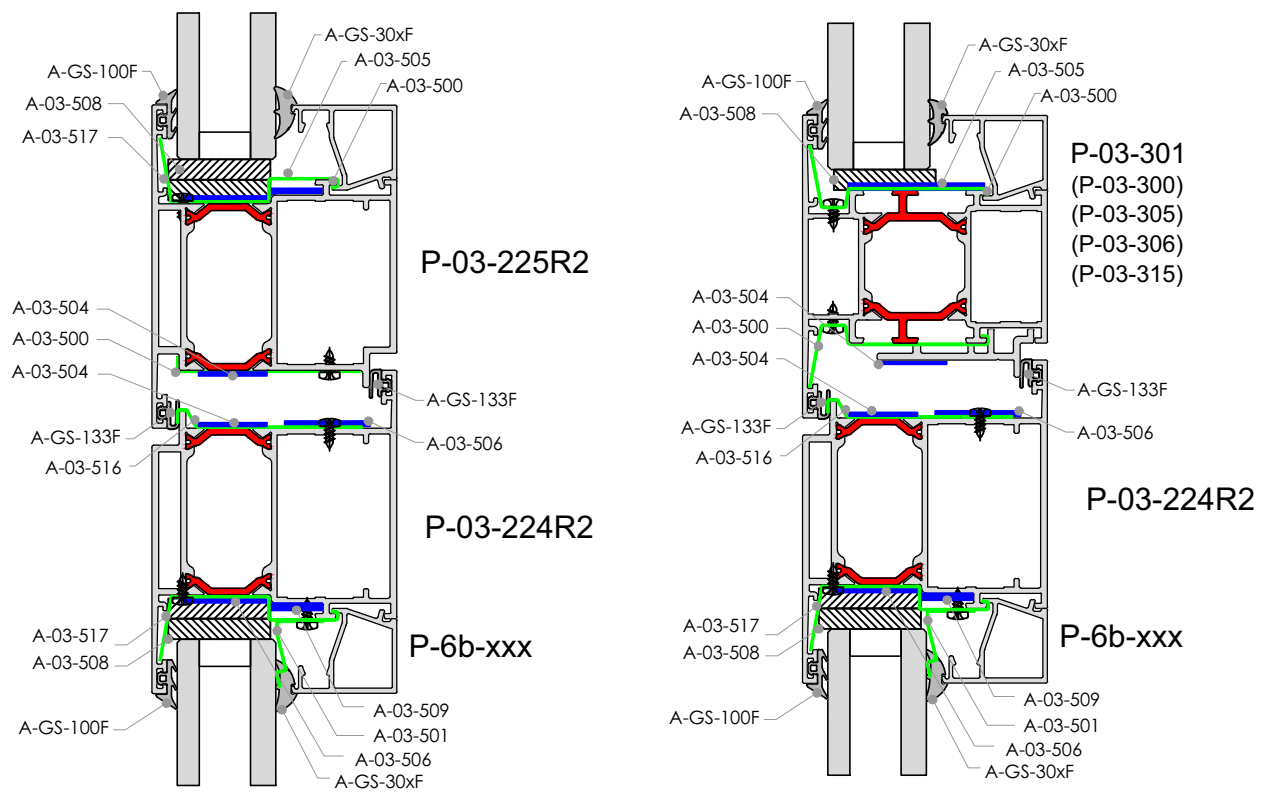
SECTION (F)



SECTION (G)

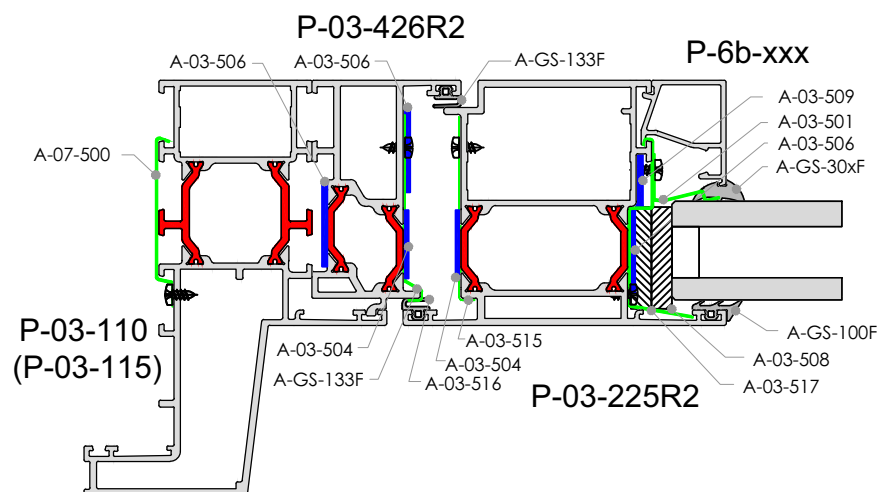
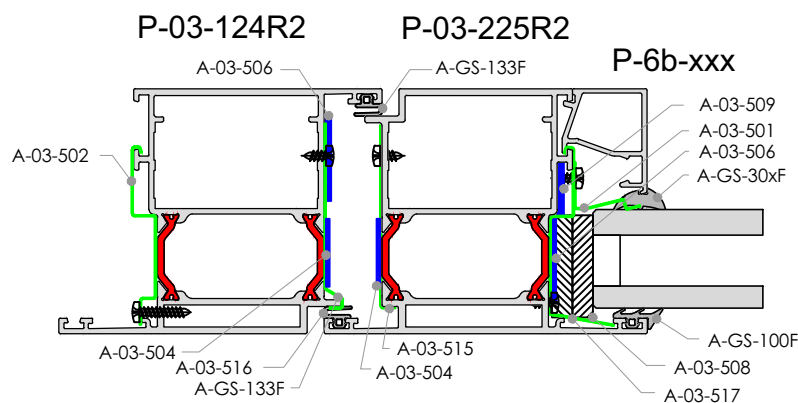
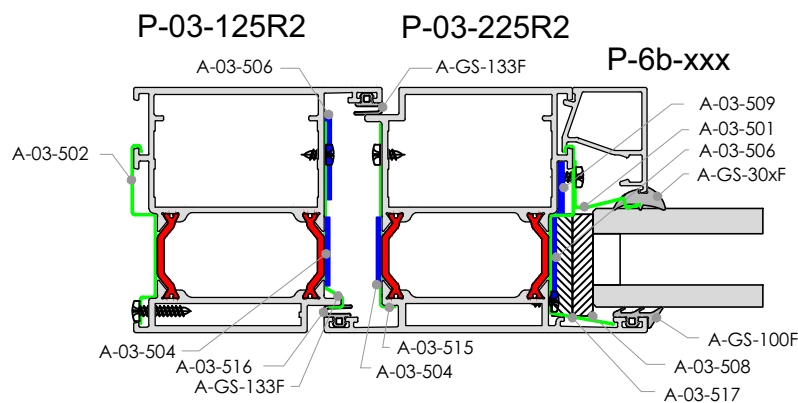


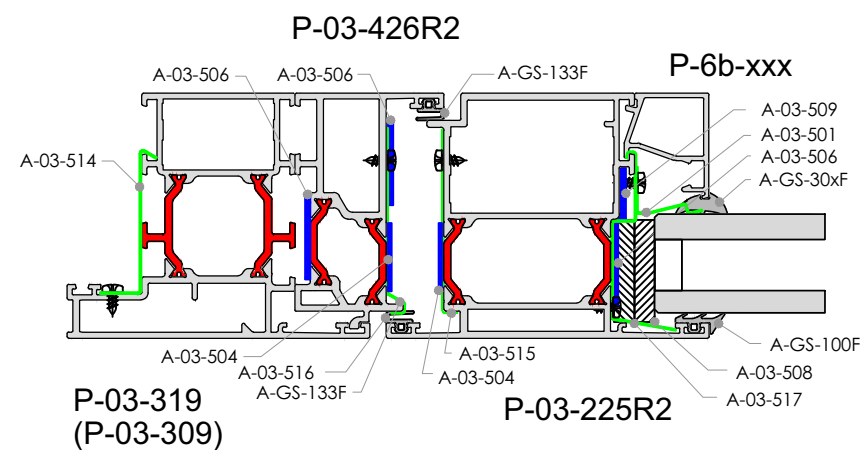
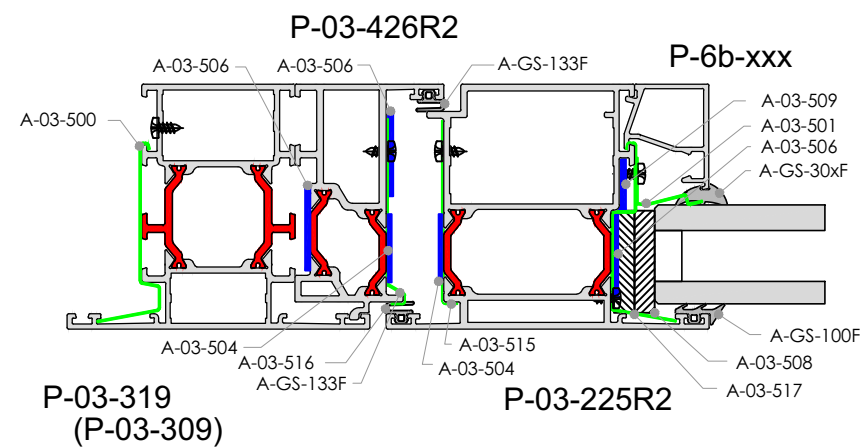
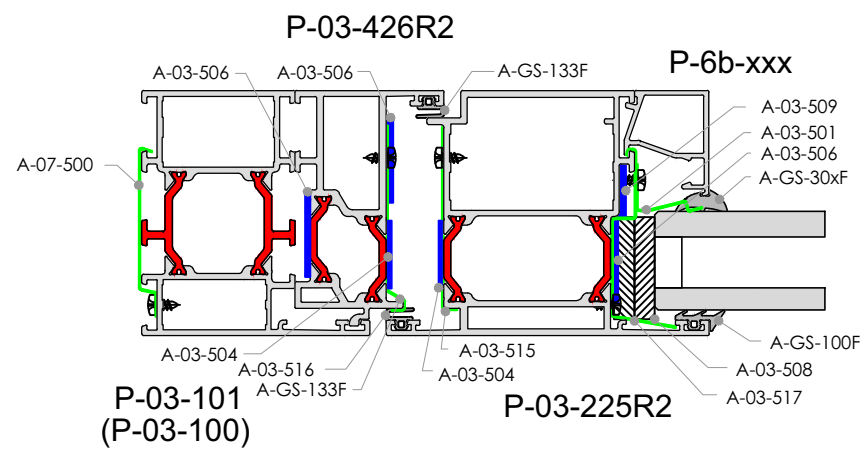
SECTION (H)



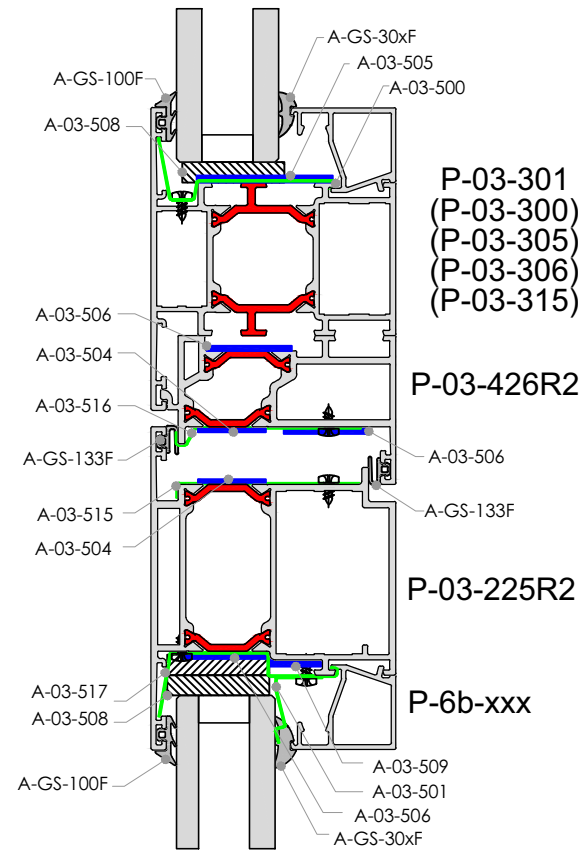
OUTSIDE OPENING DOORS

SECTION (A)

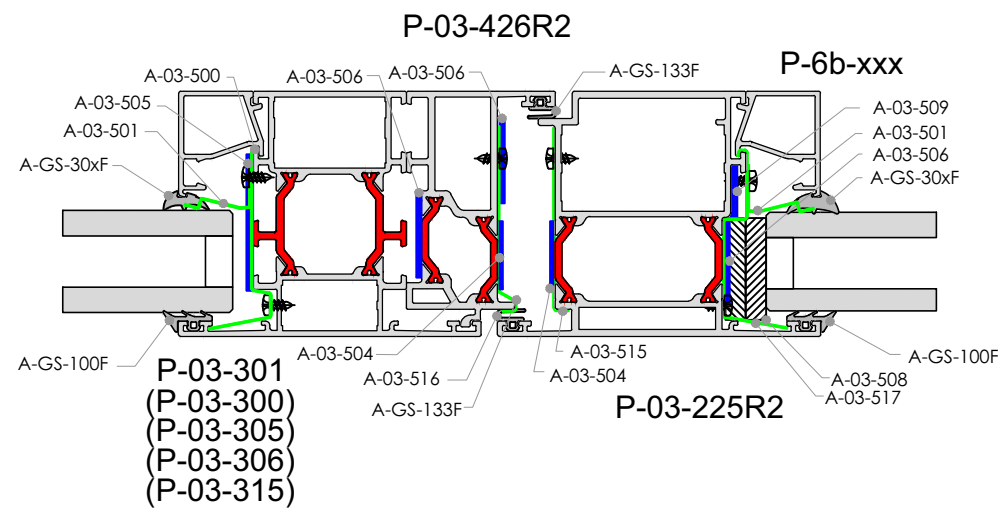




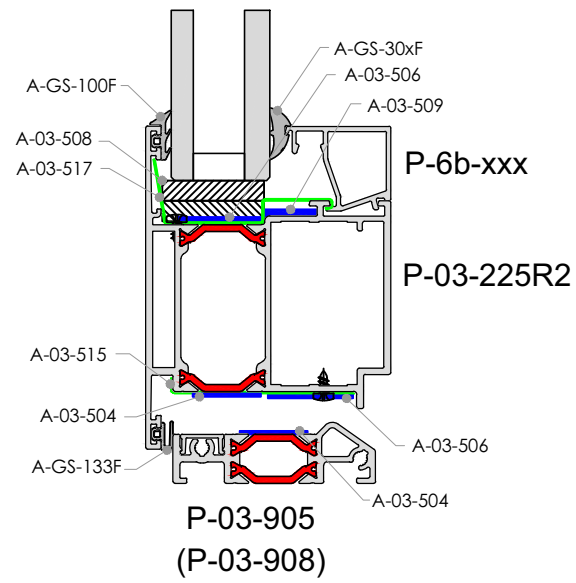
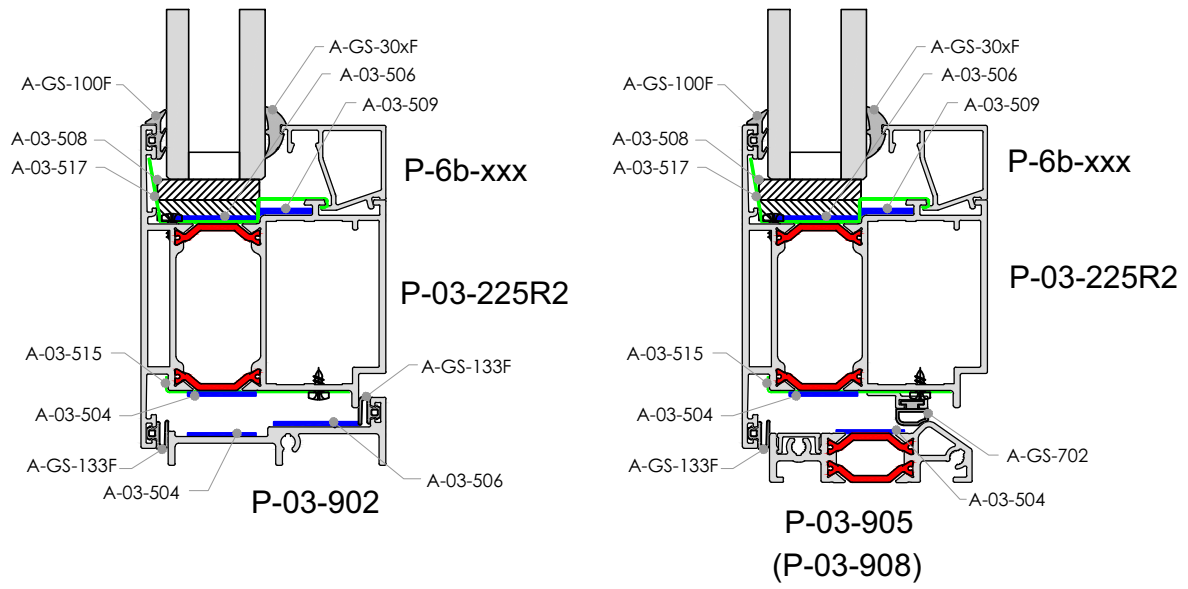
SECTION (B)



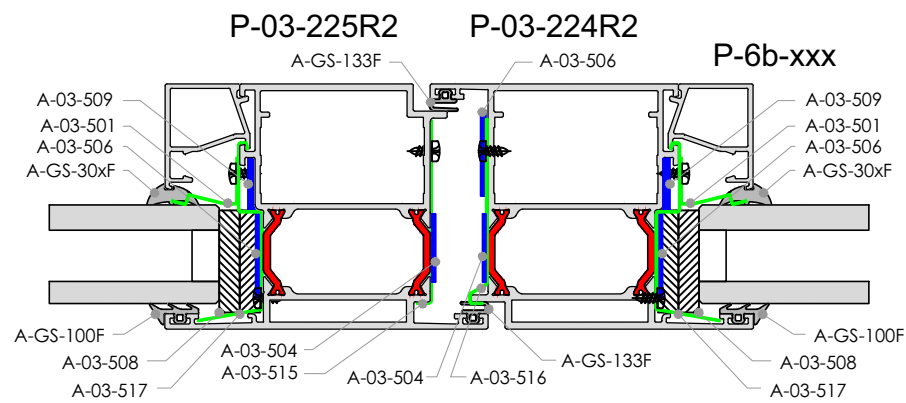
SECTION (C)



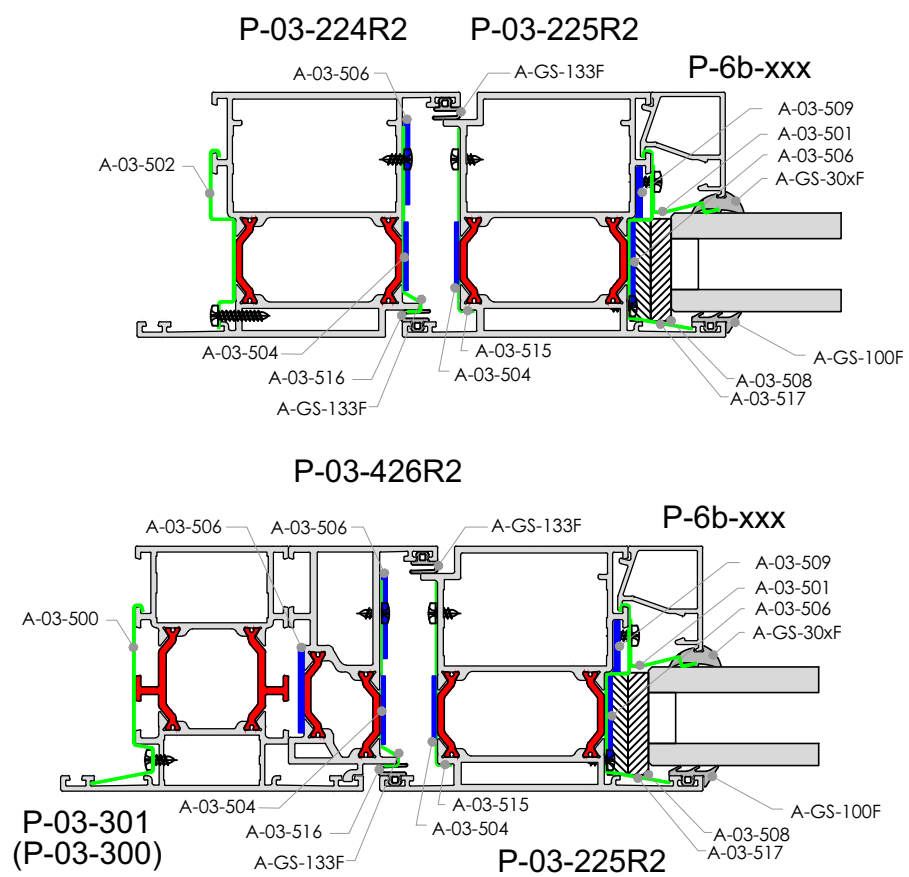
SECTION (D)



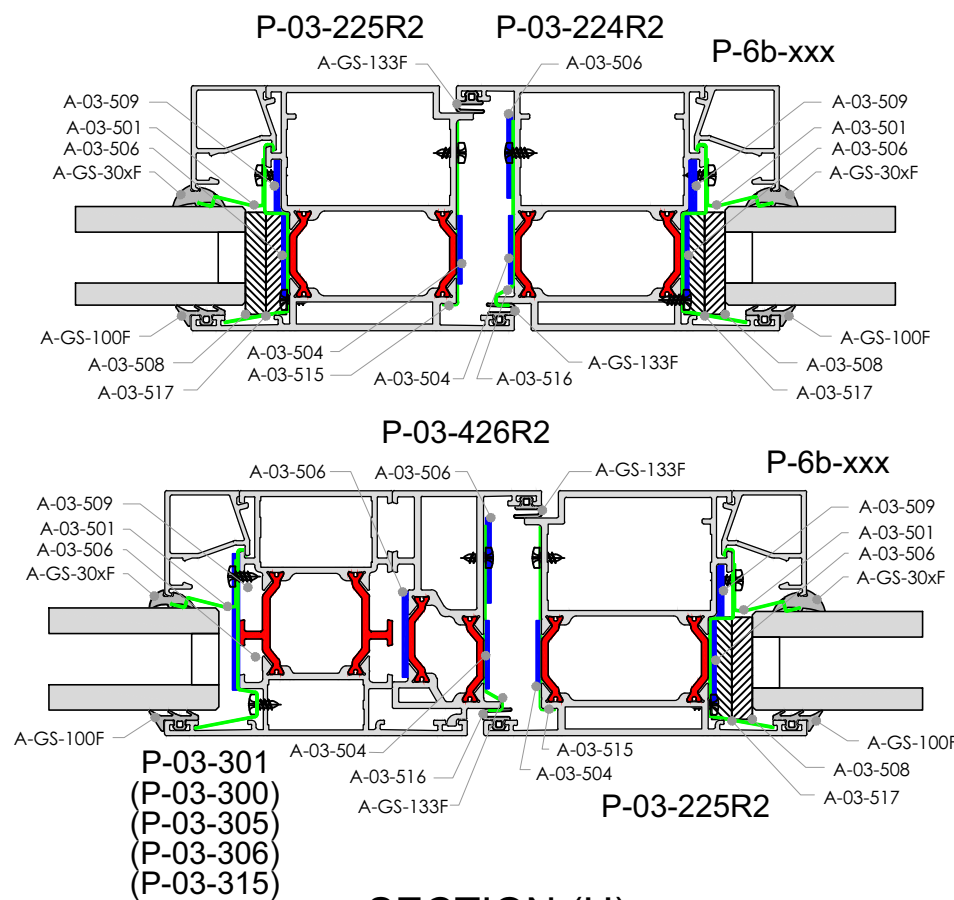
SECTION (E)



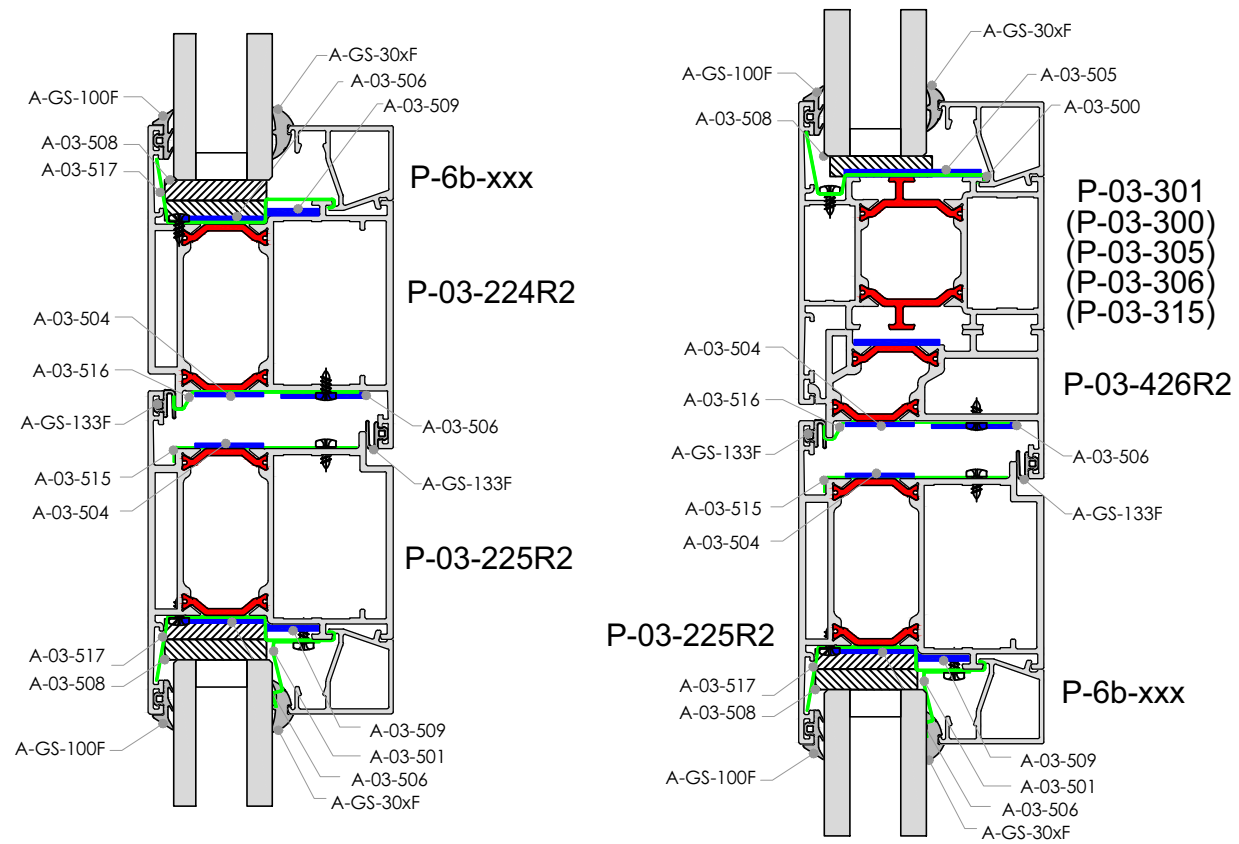
SECTION (F)



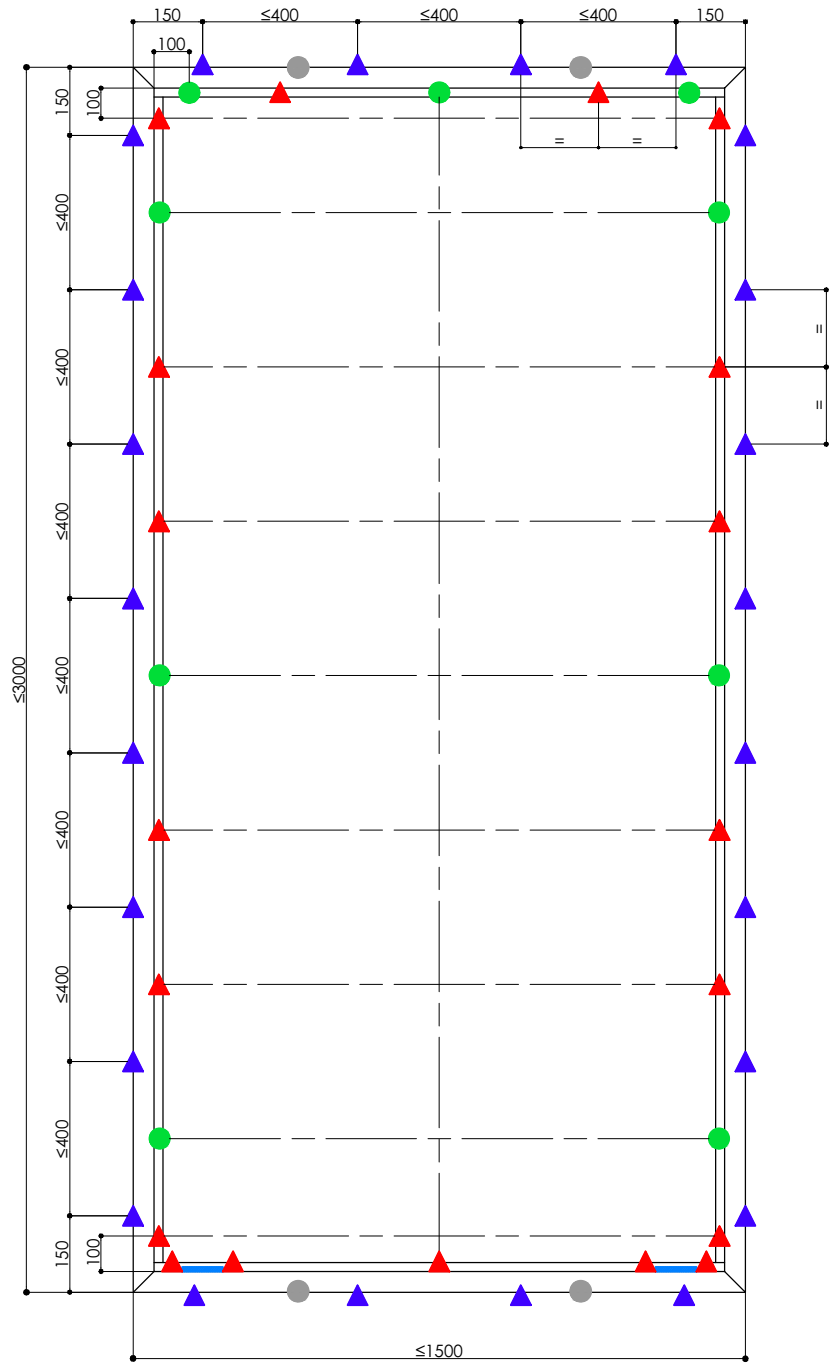
SECTION (G)



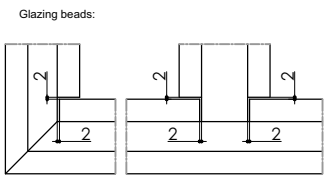
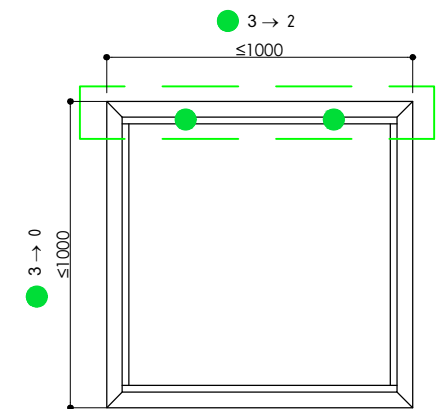
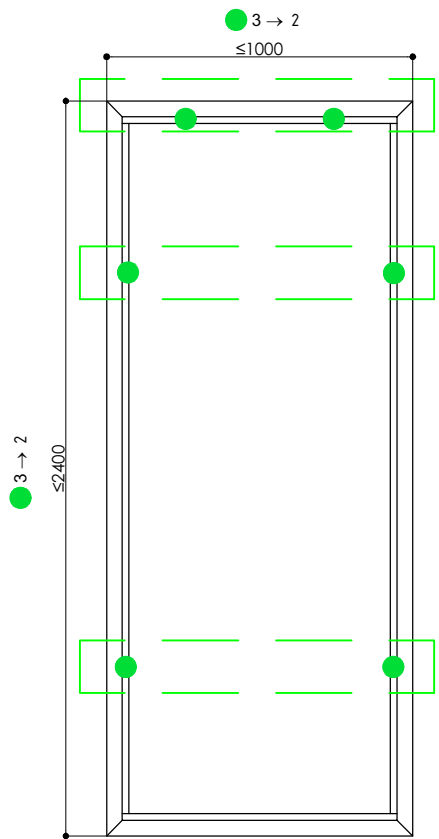
SECTION (H)



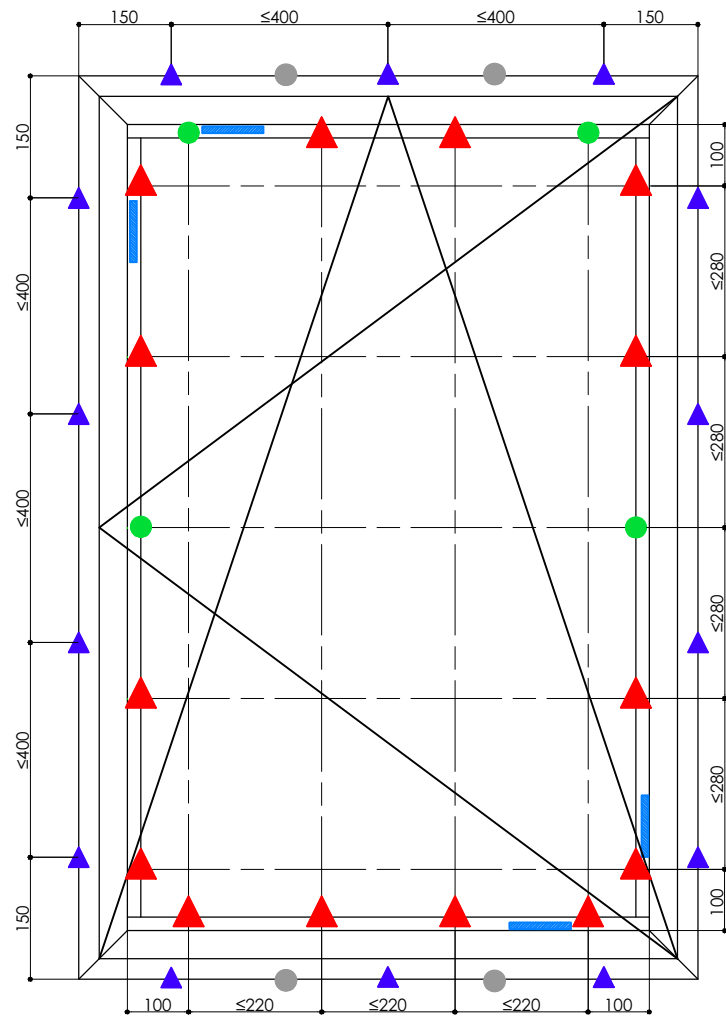
FIXED WINDOWS
VASTE RAMEN
FENÊTRES FIXES



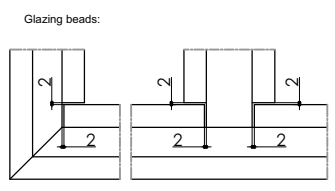
- ▲ A-03-500
- ▲ according frame sections
- A-03-500 + A-03-501 (9x)
- A-03-508
- A-03-512 (4x)



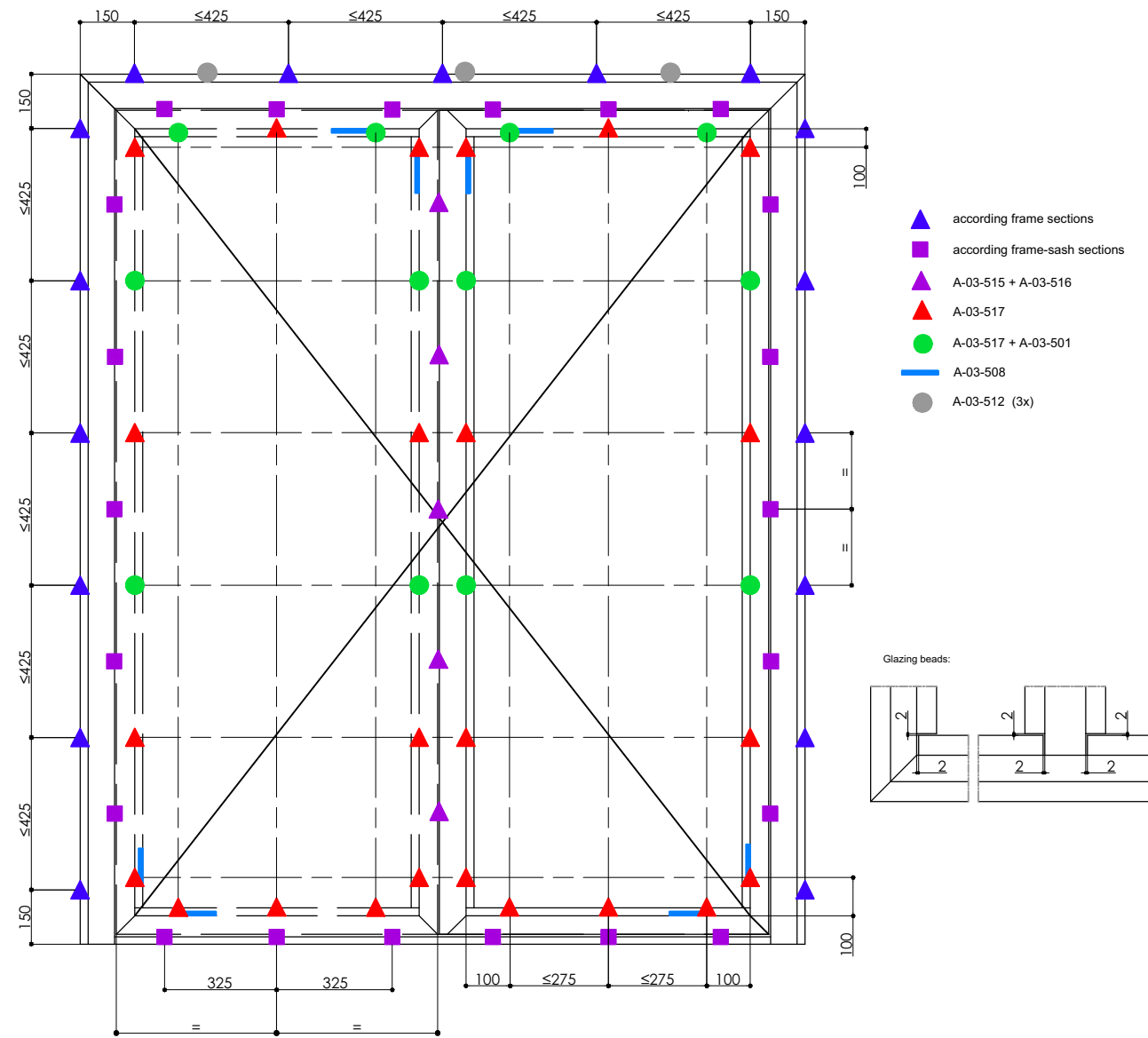
OPENABLE WINDOWS
 OPENGAANDE RAMEN
 FENÊTRES OUVRANTES

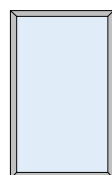
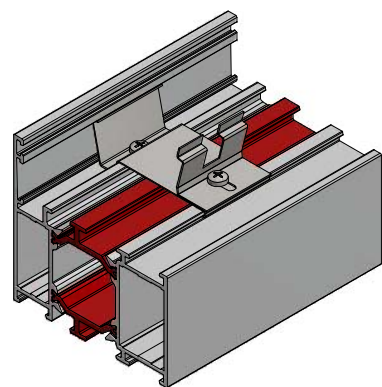


- ▲ according frame sections
- ▲ A-03-513
- A-03-513 + A-03-501 (4x)
- A-03-508
- A-03-512 (4x)

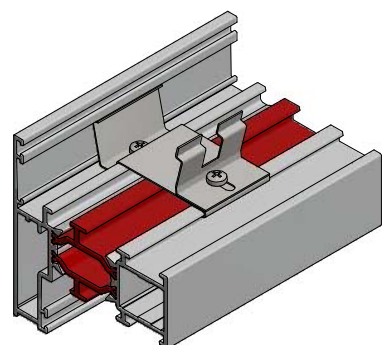
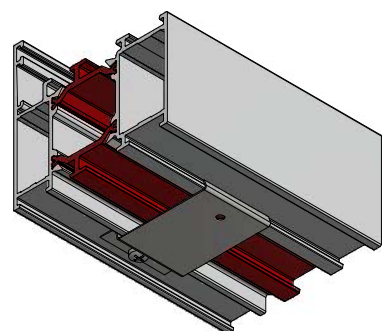
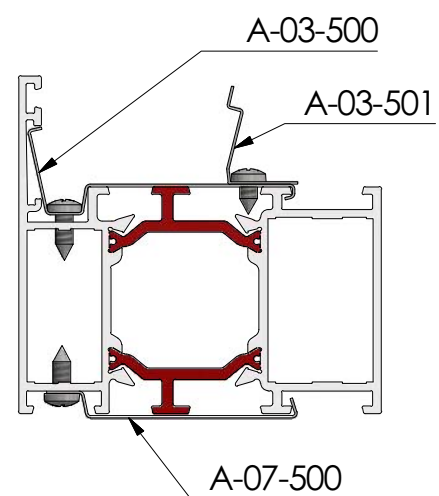


DOORS
DEUREN
PORTES

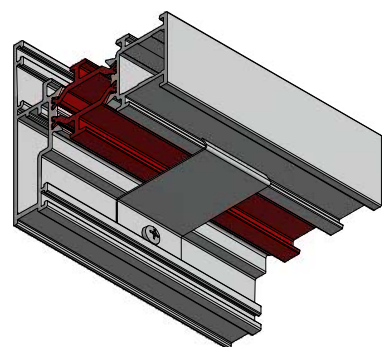
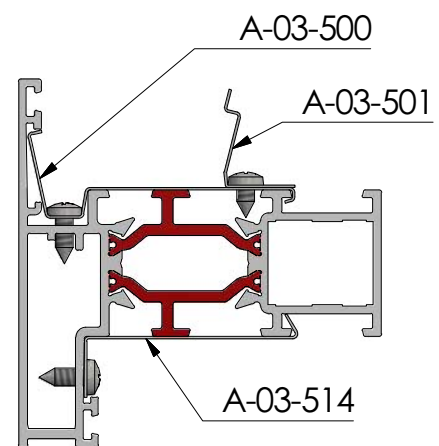




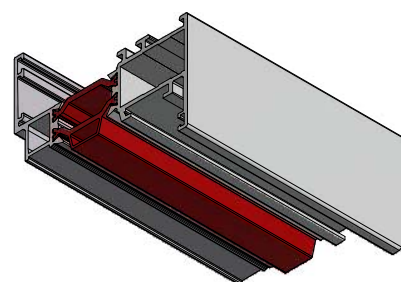
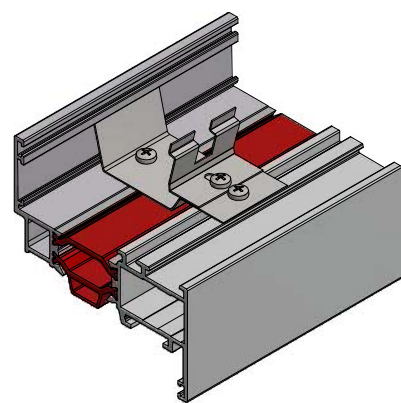
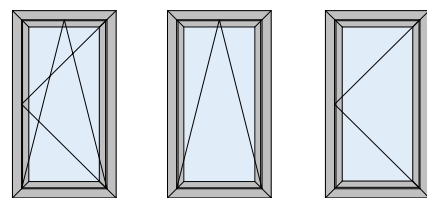
P-03-101



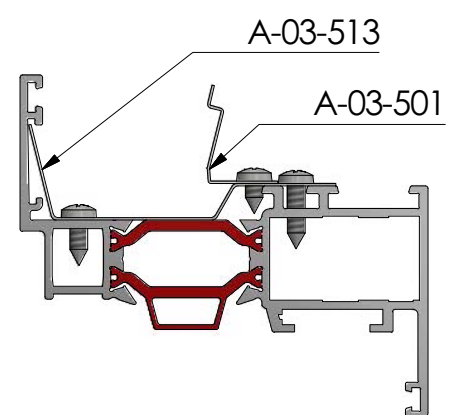
P-03-309



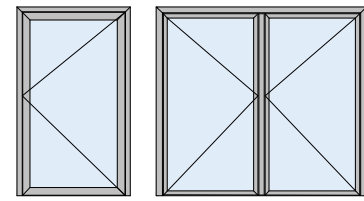
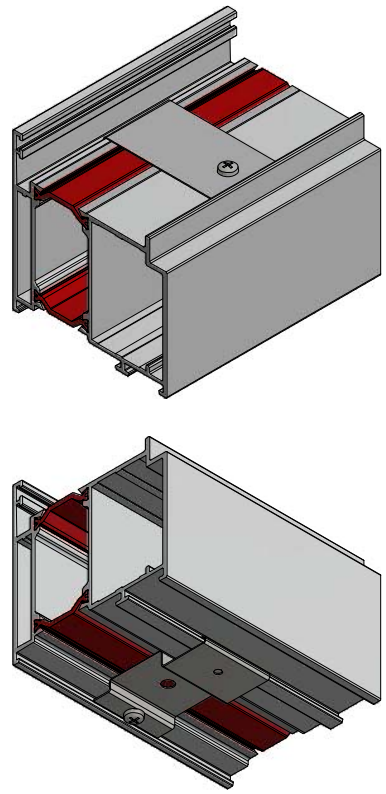
Brandwerende_clipsen_ramen_buifenkader.idw



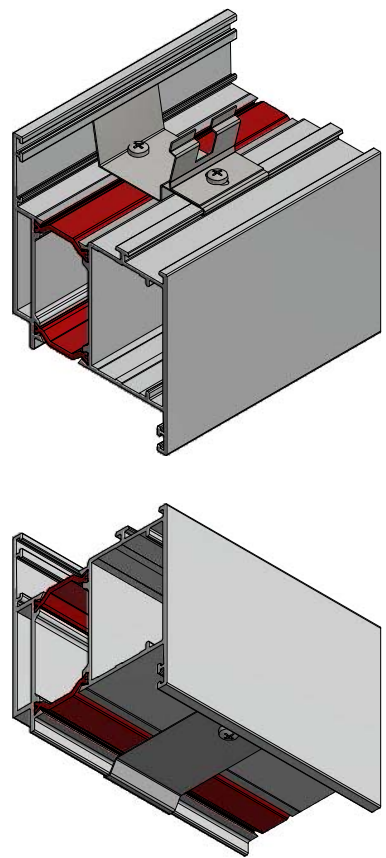
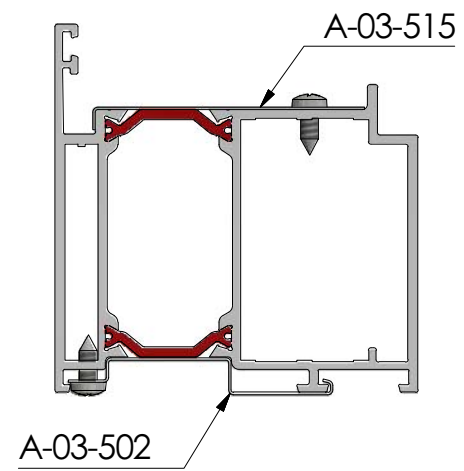
P-03-210



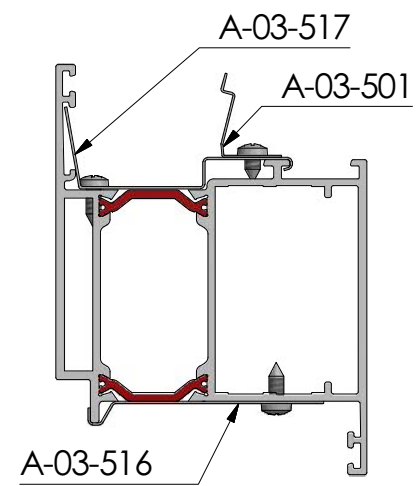
Brandwerende_clipsen_ramen_vleugel.idw



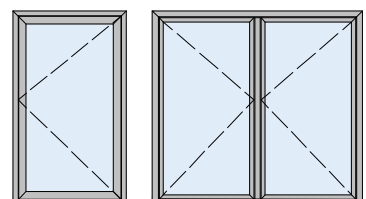
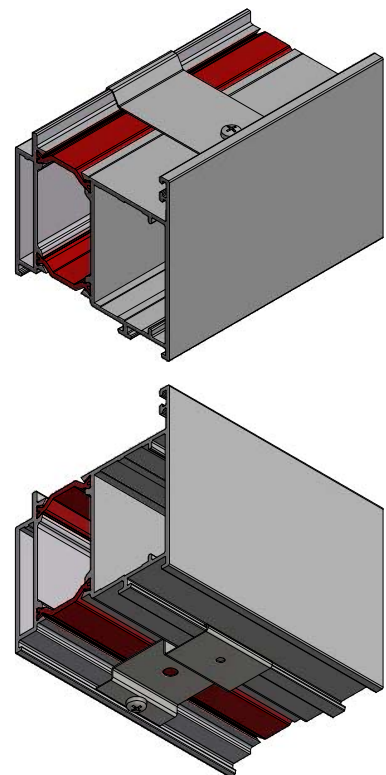
P-03-124R2



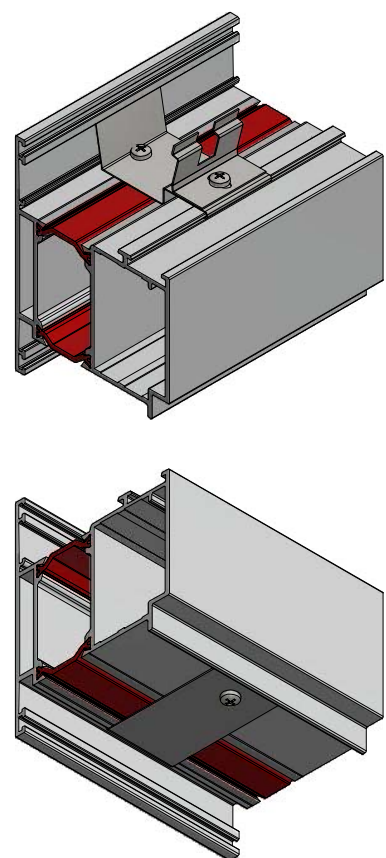
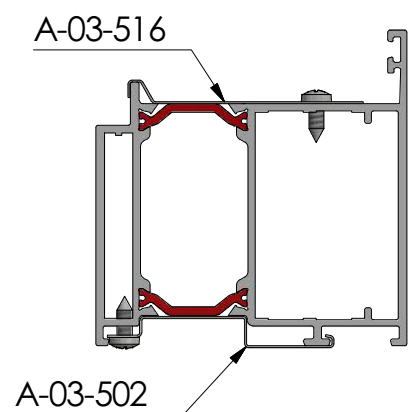
P-03-224R2



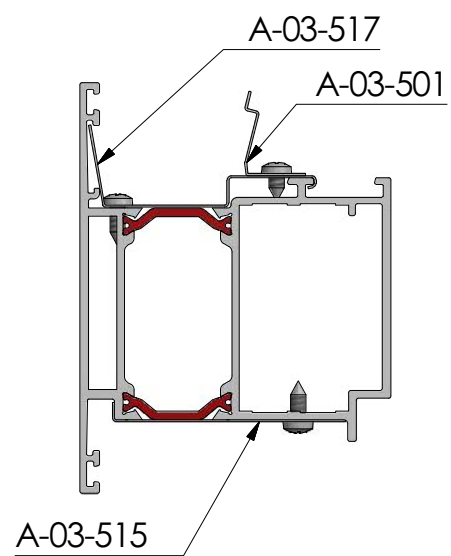
Brandwerende_clipsen_deuren_binnendraaiend.idw



P-03-125R2

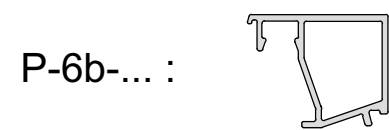


P-03-225R2

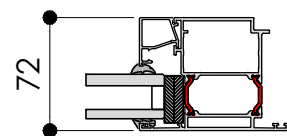
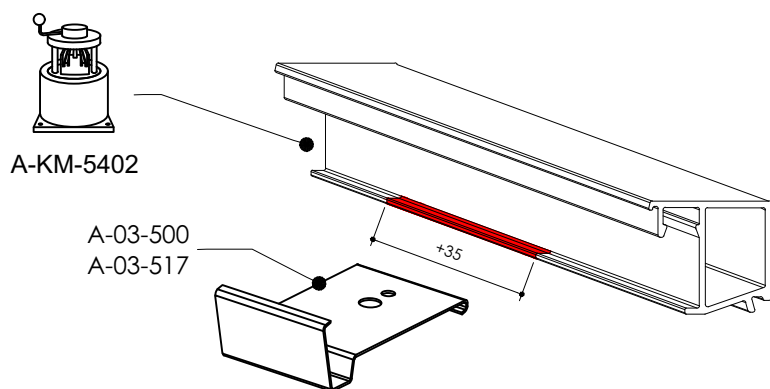
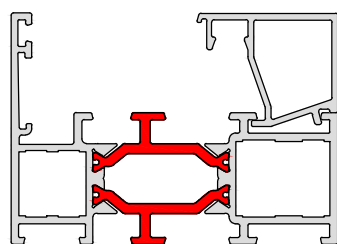
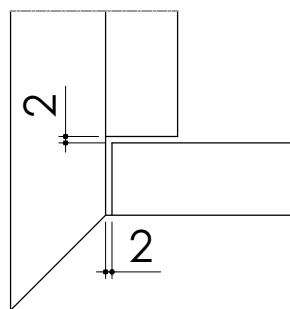


Brandwerende_clipsen_deuren_buitendraaiend.idw

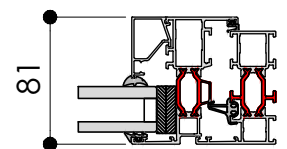
GLAZING BEADS



Enkel polyamide
Seulement polyamide
Only polyamide

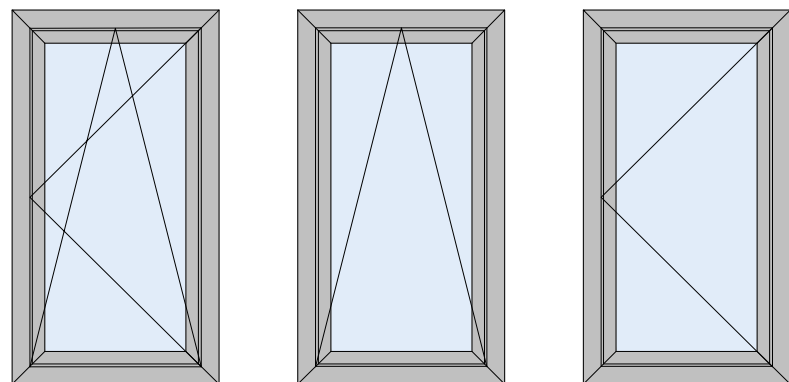


28	P-6b-031	A-GS-305F	A-GS-100F
29	P-6b-031	A-GS-304F	A-GS-100F
30	P-6b-029	A-GS-305F	A-GS-100F
31	P-6b-029	A-GS-304F	A-GS-100F
32	P-6b-027	A-GS-305F	A-GS-100F
33	P-6b-027	A-GS-304F	A-GS-100F
34	P-6b-025	A-GS-305F	A-GS-100F



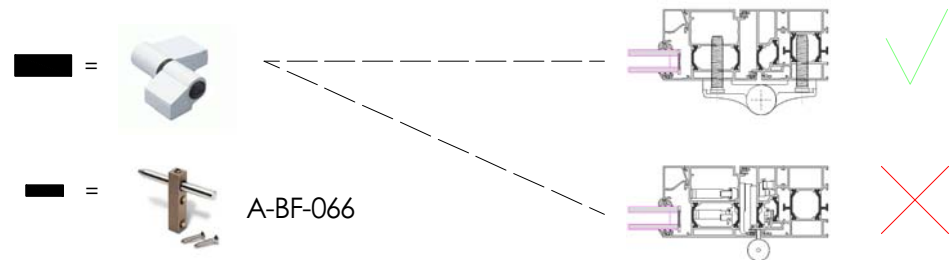
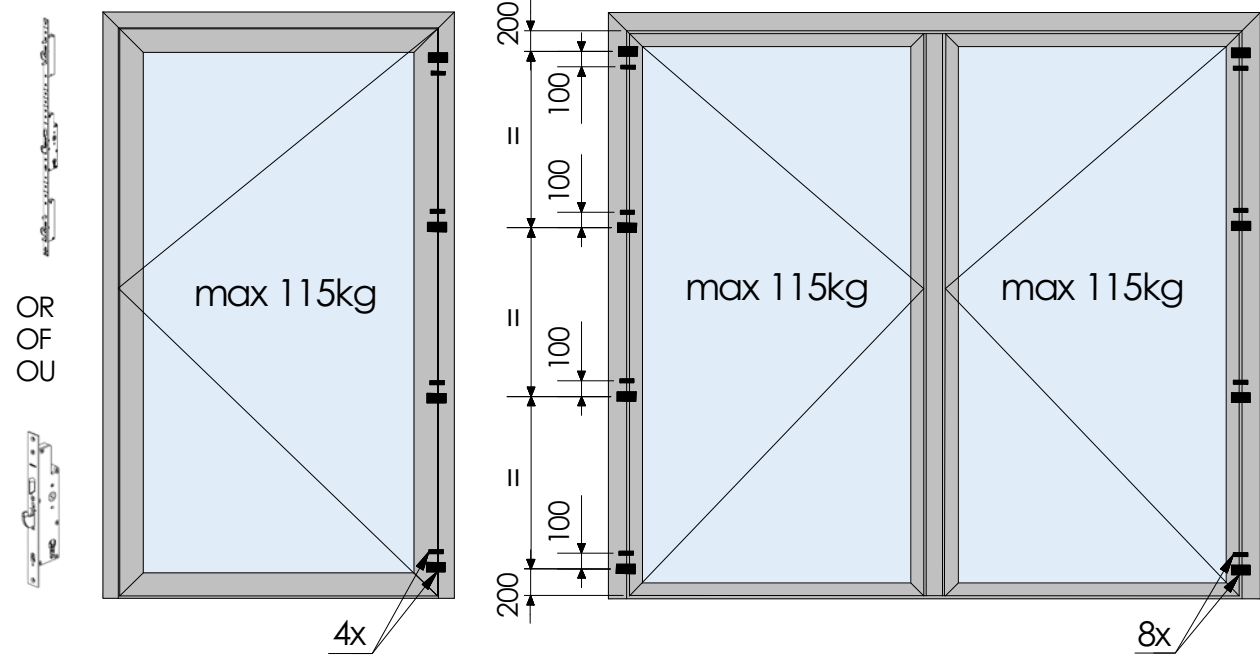
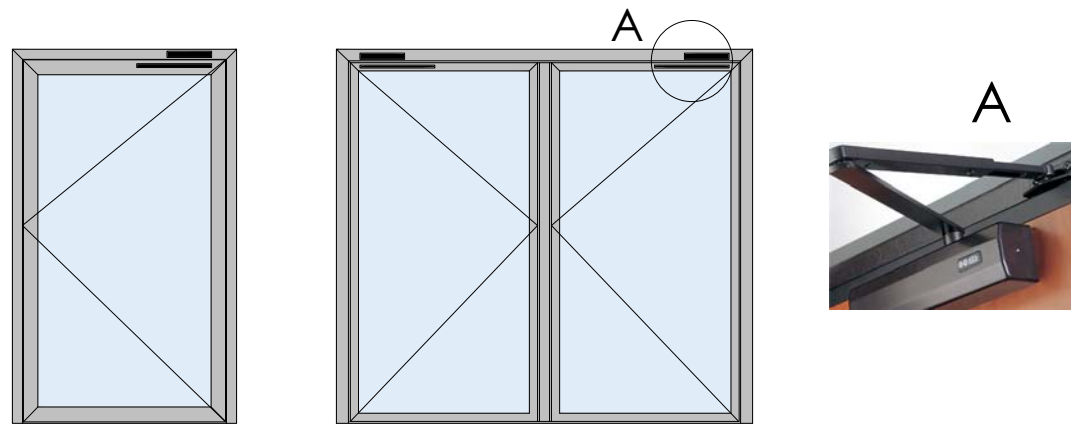
28	P-6b-039	A-GS-306F	A-GS-100F
29	P-6b-039	A-GS-305F	A-GS-100F
30	P-6b-039	A-GS-304F	A-GS-100F
31	P-6b-037	A-GS-305F	A-GS-100F
32	P-6b-037	A-GS-304F	A-GS-100F
33	P-6b-035	A-GS-305F	A-GS-100F
34	P-6b-035	A-GS-304F	A-GS-100F

Requirements hardware
Eisen beslag
Exigences quincaillerie

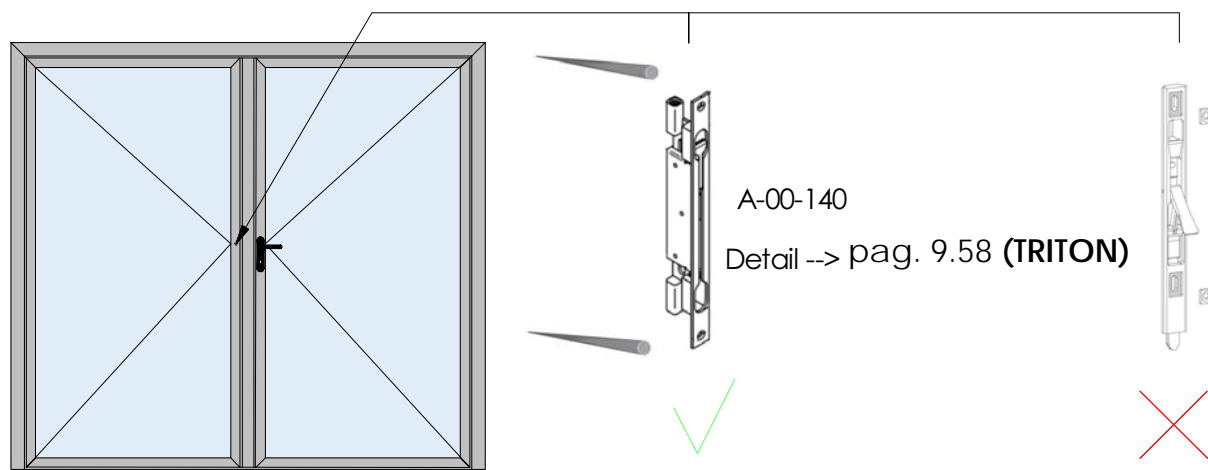


SKG2

Specificke_eisen.idw



Specificke_eisen.idw



A-BF-236 / A-BF-237

Detail --> pag. 9.31 & pag. 9.32 (TRITON)
pag. 9.8 (BF)

! Except
Uitgezonderd
Sauf !

